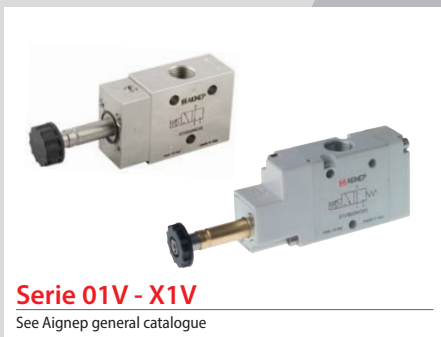


Serie X1Y

Accessories



ANGLE SEAT VALVES

Ex
II 2G/D h T4



Serie X1Y

Series X1Y

ANGLE SEAT VALVES - INLET BELOW SEAT

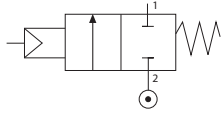
2/2 NC

3/8" - 2"

2/2 NO*

2/2 DE*

* On request



Ex II 2G/D h T4



General features

- Universal mounting position
- Inlet below seat to reduce water-hammer effects
- PTFE sealing
- Pneumatic control
- Visual position indicator



Control pressure

58 - 116 psi



Operative pressure

0 - 232 psi



Control fluid

Air and inert gas



Inlet below seat

Prevent water-hammer effect



Room temperature

+ 14 °F
+ 176 °F



Fluid temperature

+ 14 °F
+ 356 °F



Applications

- Chemical industry, Pharma and Textile
- Filling machines, sterilizers
- Water and food & beverage fluids
- Oils, steam, gasoline, gases
- Aggressive fluids, vacuum.



Ordering codes

SERIE

Size - (Ø Orifice)

Functions

Actuator size

Fluid inlet

Thread

X 1 Y

0 4

1

0 4 0

0

N

04 = 3/8" - (Ø 13 mm)

05 = 1/2" - (Ø 13 mm)

07 = 3/4" - (Ø 18 mm)

09 = 1" - (Ø 24 mm)

XF = 1 1/4" - (Ø 31 mm)

XG = 1 1/2" - (Ø 35 mm)

XH = 2" - (Ø 45 mm)

1 = 2/2 NC Normally closed - single effect

2 = 2/2 NO Normally open - single effect (on request)

3 = 2/2 DE Double effect with spring (on request)

4 = 2/2 DE Double effect without spring (on request)

040 = 40 mm

050 = 50 mm

063 = 63 mm

090 = 90 mm

0 = Below seat

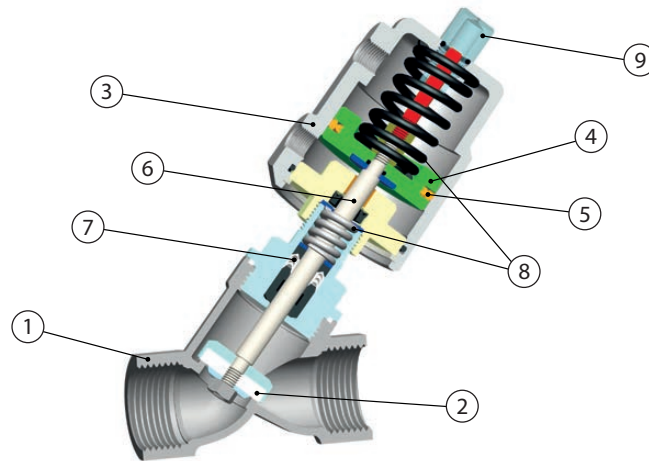
1 = Above seat (on request)

N = NPT

= Gas

Series X1Y

ACTUATOR HOUSING: STAINLESS STEEL AISI 304



Materials and Components

- | | |
|--|---|
| <ul style="list-style-type: none"> 1 Body: Stainless steel AISI 316 2 Seal: PTFE 3 Actuator housing X1Y: Stainless steel AISI 304 4 Piston: Aluminum | <ul style="list-style-type: none"> 5 Piston seals: FKM 6 Stem: Stainless steel AISI 316 7 Stem seals: PTFE 8 Springs: Steel 65Mn - Stainless Steel AISI 304 9 Visual indicator the valve position. |
|--|---|

Operation, features and benefits

The angle seat valves series X1Y - X2Y are pneumatically operated devices.

The piston inside the actuator, mechanically connected to the shutter through the stem, allows the opening or closing of the main orifice in the valve body for the passage of the fluid.

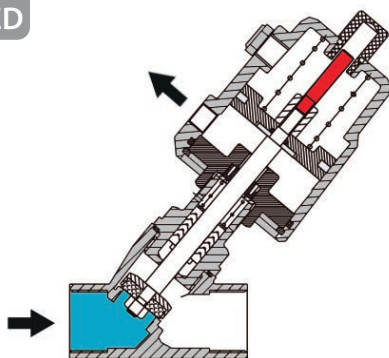
In the absence of pilot pressure, the valve remains in the closed position if NC or open if NO thanks to the action of the spring which act on the piston. When the piston is actuated via the pilot pressure introduced into the chamber, the valve opens if NC or closes if NO. In the case of double-acting valves, opening and closing are determined by the pilot pressure only.

The angle seat valves series X1Y - X2Y guarantee large flow rates, low friction and prevent water-hammer thanks to the flow inlet below the seat.

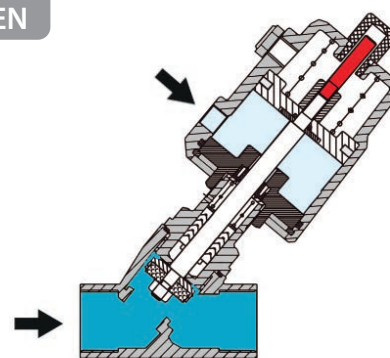
The Y-shaped body increases the flow by 30%, increasing the valve life cycle, and the materials used allow these valve to be installed in numerous applications.

The self-adjusting and self-lubricating stem reduces maintenance requirements, while the actuator guarantees flexible use as it can rotate 360°.

CLOSED



OPEN



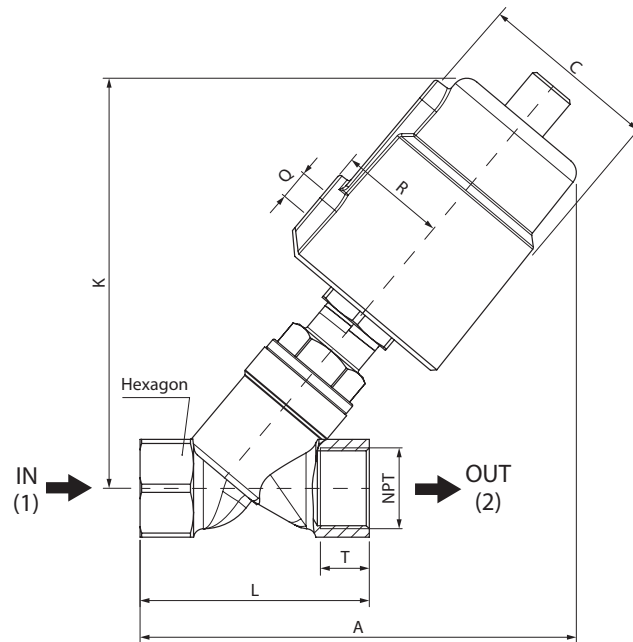
Note

By receiving the inlet fluid below seat the valve prevent the water-hammer effect.

Code	Sealing materials	Port size	DN	Ø Orifice	Viscosity	Cv (Kv)	Differential pressure (OPD)		Actuator size	Control pressure	
							psi (Bar)				
							Min	Max			
		NPT	inch (mm)	inch (mm)	cSt	gpm (m ³ /h)			inch (mm)	psi (Bar)	
X1Y 04 1 040 0N	PTFE +14°F +356°F	3/8"	.394 (10)	.512 (13)	600	4.51 (3.9)	0	189 (13)	1.575 (40)	≥ 58 (4)	
X1Y 05 1 040 0N		1/2"	.591 (15)	.512 (13)	600	4.97 (4.3)	0	189 (13)	1.575 (40)	≥ 58 (4)	
X1Y 07 1 050 0N		3/4"	.787 (20)	.709 (18)	600	8.79 (7.6)	0	203 (14)	1.969 (50)	≥ 65 (4.5)	
X1Y 09 1 050 0N		1"		.984 (25)	.945 (24)	600	18.26 (15.8)	0	116 (8)	1.969 (50)	≥ 65 (4.5)
X1Y 09 1 063 0N						600		0	189 (13)	2.480 (63)	≥ 73 (5)
X1Y XF 1 063 0N		1"1/4		1.260 (32)	1.220 (31)	600	30.06 (26)	0	87 (6)	2.480 (63)	≥ 73 (5)
X1Y XF 1 090 0N						600		0	232 (16)	3.543 (90)	≥ 87 (6)
X1Y XG 1 063 0N		1"1/2		1.575 (40)	1.378 (35)	600	36.99 (32)	0	73 (5)	2.480 (63)	≥ 73 (5)
X1Y XG 1 090 0N						600		0	232 (16)	3.543 (90)	≥ 87 (6)
X1Y XH 1 063 0N		2"		1.969 (50)	1.772 (45)	600	60.11 (52)	0	29 (2)	2.480 (63)	≥ 73 (5)
X1Y XH 1 090 0N						600		0	145 (10)	3.543 (90)	≥ 87 (6)

PTFE - P max= 0.69 psi (10 bar): With steam

EN 12266 Class A: Leakage class



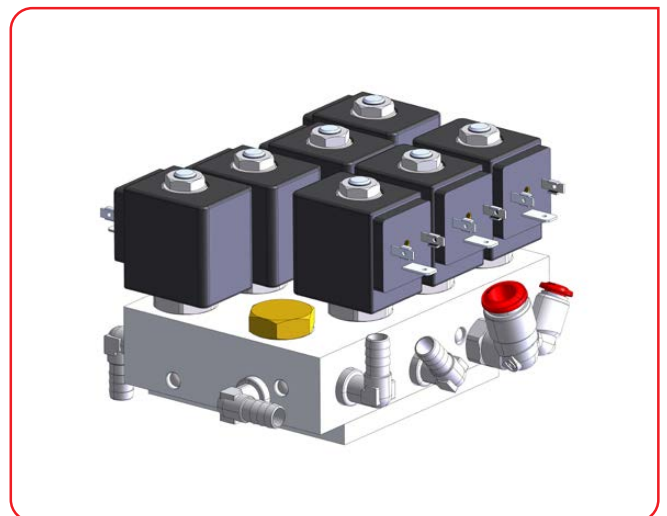
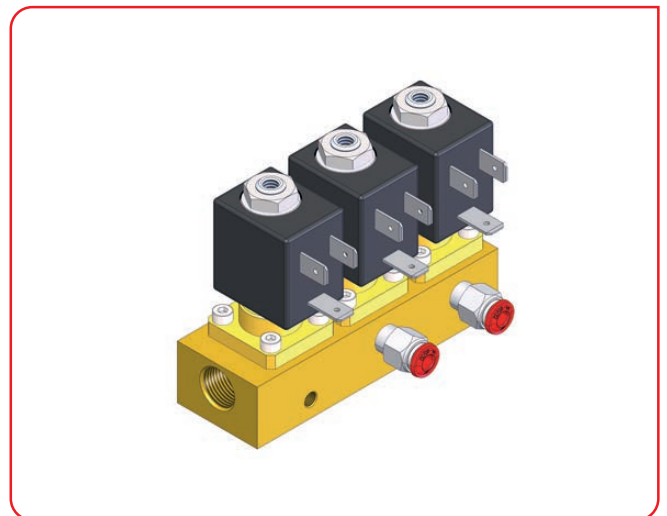
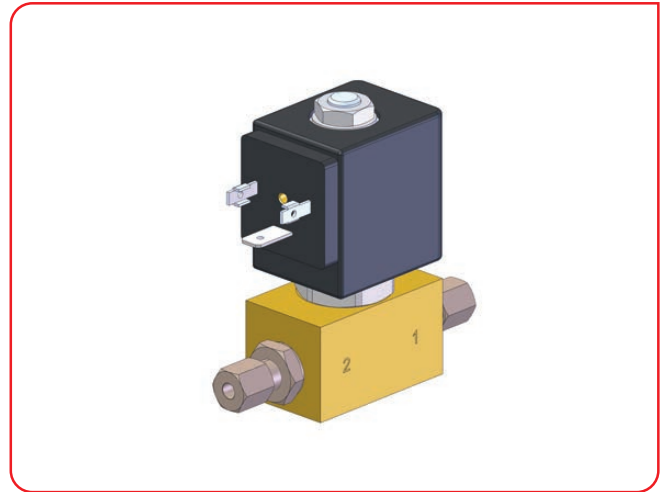
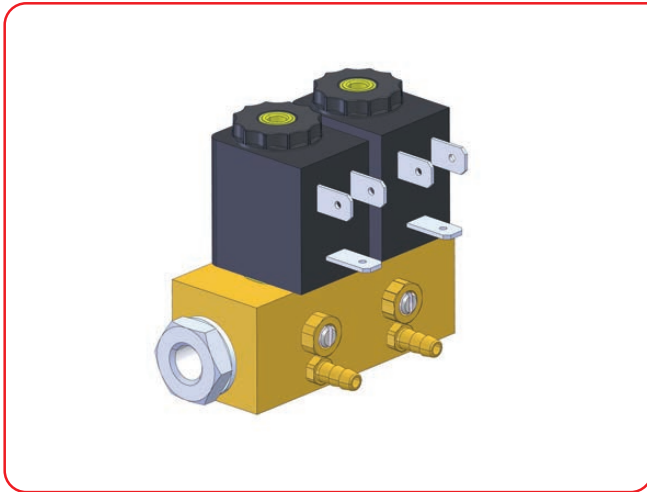
Size (NPT)	DN	Q	Actuator	A	L	C	K	T	R
3/8"	.394 (10)	1/8"	1.575 (40)	4.882 (124)	2.677 (68)	1.988 (50.5)	4.409 (112)	.472 (12)	1.063 (27)
1/2"	.591 (15)	1/8"	1.575 (40)	4.882 (124)	2.677 (68)	1.988 (50.5)	4.409 (112)	.591 (15)	1.063 (27)
3/4"	.787 (20)	1/8"	1.969 (50)	5.512 (140)	2.953 (75)	2.362 (60)	5.197 (132)	.630 (16)	1.299 (33)
1"	.984 (25)	1/8"	1.969 (50)	5.906 (150)	3.543 (90)	2.362 (60)	5.354 (136)	.669 (17)	1.299 (33)
	.984 (25)	1/8"	2.480 (63)	6.772 (172)	3.543 (90)	2.953 (75)	6.378 (162)	.669 (17)	1.614 (41)
1"1/4	1.260 (32)	1/8"	2.480 (63)	7.480 (190)	4.567 (116)	2.953 (75)	6.850 (174)	.827 (21)	1.614 (41)
	1.260 (32)	1/8"	3.543 (90)	9.252 (235)	4.567 (116)	4.173 (106)	8.780 (223)	.827 (21)	2.165 (55)
1"1/2	1.575 (40)	1/8"	2.480 (63)	7.480 (190)	4.567 (116)	2.953 (75)	6.890 (175)	.827 (21)	1.614 (41)
	1.575 (40)	1/8"	3.543 (90)	9.252 (235)	4.567 (116)	4.173 (106)	8.780 (223)	.827 (21)	2.165 (55)
2"	1.969 (50)	1/8"	2.480 (63)	8.071 (205)	5.433 (138)	2.953 (75)	7.205 (183)	.866 (22)	1.614 (41)
	1.969 (50)	1/8"	3.543 (90)	9.843 (250)	5.433 (138)	4.173 (106)	9.134 (232)	.866 (22)	2.165 (55)

Silencer on actuator exhaust included

SPECIAL EXECUTIONS ON REQUEST

Special executions

By "special executions" it means all that products having complex constructions suitable for optimizing the operation of the application. The added value that Aignep offers is to propose and develop customized solutions to satisfy the most demanding requests of our Customers who operates in many industrial sectors. Finding the solution is our strength and below are proposed some "special executions" we have realized.



Serie Infinity



Distribution system for compressed air, inert gases and vacuum



[Request Catalogue](#)



1

87000 / 88000 Series

Push-to-Connect Fittings



2

85000 Series

Technopolymer Push-to-Connect Fittings



3

89000 Series

Metallic Push-to-Connect Fittings



4

Stainless Steel Series

Stainless Steel Push-to-Connect Fittings



5

Mist Fit Series

Push-to-Connect Fittings for Mistings Systems



6

5000N Series

Push-to-Connect Fittings for Metric Tube



7

55000 / 56000 Series

Technopolymer Push-to-Connect Fittings for Metric Tube



8

57000 Series

Metallic Push-to-Connect Fittings for Metric Tube



9

Stainless Steel Series

Stainless Steel Push-to-Connect Fittings for Metric Tube



10

58000 Series

High pressure Push-to-Connect Fittings



11

Functional Series

Functional Fittings



12

Adapters Series

Nickel Plated Brass Adapters



13

62000 Series

Stainless Steel Push-to-Connect Fittings and Adapters



14

Ball Valves Series

Chrome Plated Brass & Stainless Steel Ball Valves



15

Quick-Disconnect Couplers Series

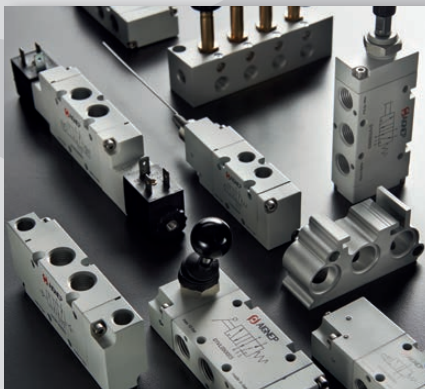
Quick Disconnect Couplers



16

Valves Series

Manual, Mechanical, Air Pilot And Solenoid Pilot Valves



17

Actuators Series

Pneumatic Actuators



18

FRL Series

Air Treatment Unit



