
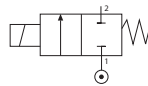


2/2 NC


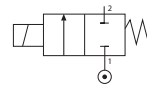
1/8" - 1/4"
Page13.3

3/2 NC




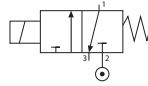

1/8" - 1/4"
Page13.5

2/2 NC


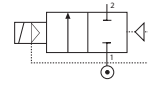
1/8" - 1/4"
Page 13.7

3/2 NC


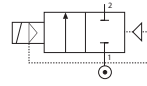
1/8" - 1/4"
Page 13.9

2/2 NC


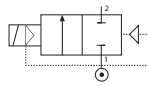
1/4" → 1"
Page 13.11

2/2 NC





1"1/4 → 2"
Page 13.13

2/2 NC

1/4" → 1"
Page 13.15



36 mm





Series N
Page 15.7

CONDUIT COIL SOLENOID VALVE SERIES

Ex
II 2 G/D Ex h

SP

FM Approvals

AISI 316L



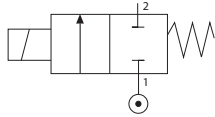
Series Conduit Coil

Series 01C

DIRECT ACTING SOLENOID VALVES WITH BRASS BODY

2/2 NC

1/8" - 1/4"



Component Parts and Materials

- 1 Body: Brass CW617N
- 2 Seals: NBR - EPDM - FKM
- 3 Armature tube: Stainless steel
- 4 Fixed and mobile core: Stainless steel AISI 430FR
- 5 Springs: Stainless steel



General features - 01C

- Universal mounting position
- Operator kit Ø 9 mm
- Coils: Series SOL03



Maximum allowable pressure

580 psi (40 bar)



Compatibility and materials table

Page 0.13 - 0.14



Room temperature with coil class H

+14°F +140°F
-10°C +60°C



Applications

- Water, Neutral liquids, Oils
- Food industry, Coffee & vending
- Air, Inert gases, Vacuum
- Industrial processes, Automation
- Machine tools, Laser cutting, Compressors
- Oxygen, Steam, Medical
- Chemical and Petrochemical industry



Ordering codes

Series	Port size	Functions	Orifice inch (mm)	Sealing materials	Version	Thread	Suitable coils
0 1 C	0 2 02 = 1/8" 03 = 1/4"	1 1 = 2/2 NC	1 5 15 = 1/16 (1.5) 02 = 5/64 (2) 25 = 3/32 (2.5)	N N = NBR E = EPDM V = FKM	0 0 = Standard	N N = NPTF	N A N = N series - SOL03 A = 12V DC B = 24V DC 6 = 120V AC 4 = 240V AC

Valves and coils are supplied separately. Upon commercial agreements can be supplied assembled.

Code	Sealing materials	Port size	Ø Orifice	Viscosity	Cv (Kv)	Differential pressure (OPD)			Power		Coils	
						psi (bar)			DC W	AC VA	Size mm	Series N - Page 15.7
						Min	Max DC	Max AC				
①	①	NPTF	inch (mm)	cSt	gpm (m ³ /h)							
01C 02 1 15 _ 0 N	N = NBR +14°F +194°F (-10°C +90°C)	1/8"	1/16 (1.5)	25	0.07 (0.06)	0	580 (40)	580 (40)	4.6	6.8	36	N - SOLO3 *
01C 02 1 02 _ 0 N			5/64 (2)	37	0.10 (0.09)	0	435 (30)	580 (40)				
01C 02 1 25 _ 0 N			3/32 (2.5)	53	0.17 (0.15)	0	145 (10)	290 (20)				
01C 03 1 15 _ 0 N	V = FKM +14°F +284°F (-10°C +140°C)	1/4"	1/16 (1.5)	25	0.07 (0.06)	0	580 (40)	580 (40)				
01C 03 1 02 _ 0 N			5/64 (2)	37	0.10 (0.09)	0	435 (30)	580 (40)				
01C 03 1 25 _ 0 N			3/32 (2.5)	53	0.17 (0.15)	0	145 (10)	290 (20)				

① Select seal material

* COIL SERIES N - SOLO3

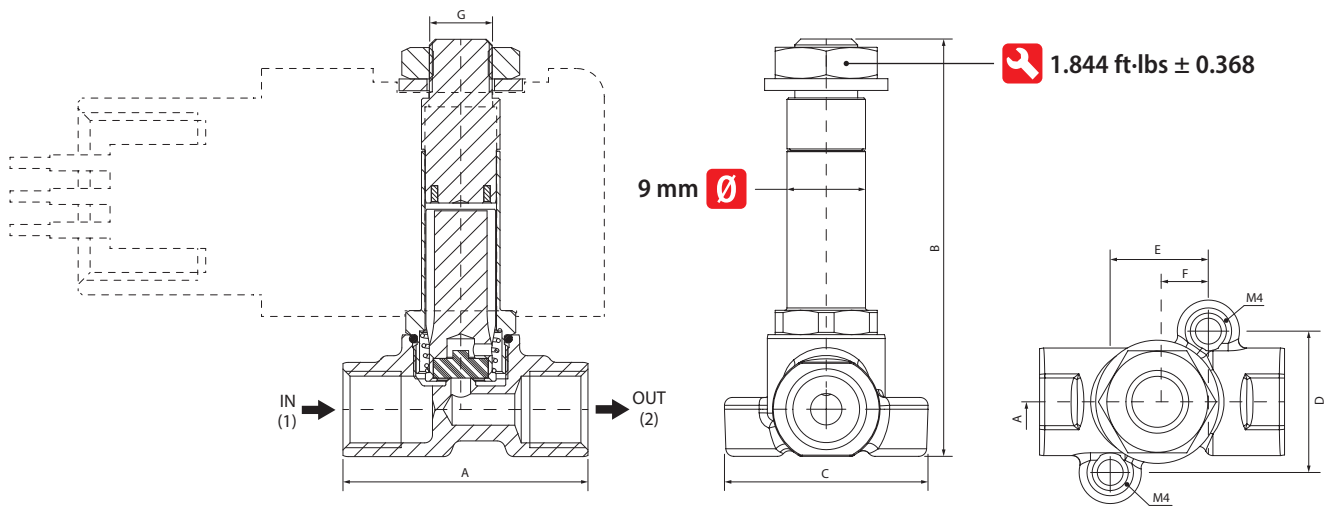
Ex m II T4 and Division 1

Specifications in accordance to CSA certificate:

- Class I, Division 1, Groups A, B, C and D; Class II, Groups E, F and G; Class III;
- Class I, Division 2, Groups A, B, C, D.

Specifications in accordance to FM certificate:

- Explosionproof Class I, Division 1, Groups A, B, C, D, T4, Ta=60°C
- Encapsulation/explosionproof Class I, Zone 1, AEx m II T4, Ta=60°C
- Dust-ignitionproof for Class II/III, Division 1, Group E, F and G, T4, Ta=60°C
- Nonincendive Class I, Division 2, Groups A, B, C, D, T4, Ta=60°C
- Suitable for Class II, III, Division 2, Groups E, F, G, T4, Ta=60°C



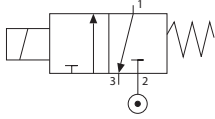
Size	A inch (mm)	B inch (mm)	C inch (mm)	D inch (mm)	E inch (mm)	F inch (mm)	G
1/8"	1.228 (31.2)	2.090 (53.1)	1.019 (25.9)	0.708 (18)	0.492 (12.5)	0.255 (6.5)	M8 x 0.75
1/4"	1.456 (37)	2.208 (56.1)	1.141 (29)	0.826 (21)	0.472 (12)	0.236 (6)	M8 x 0.75

Series 01C

DIRECT ACTING SOLENOID VALVES WITH BRASS BODY

3/2 NC

1/8" - 1/4"



Component Parts and Materials

- 1 Body: Brass CW617N
- 2 Seals: NBR - EPDM - FKM
- 3 Armature tube: Stainless steel
- 4 Fixed and mobile core: Stainless steel AISI 430FR
- 5 Springs: Stainless steel



General features - 01C

- Universal mounting position
- Operator kit Ø 9 mm
- Coils: Series SOL03



Maximum allowable pressure

580 psi (40 bar)



Compatibility and materials table

Page 0.13 - 0.14



Room temperature with coil class H

+14°F +140°F
-10°C +60°C



Applications

- Water, Neutral liquids, Oils
- Food industry, Coffee & vending
- Air, Inert gases, Vacuum
- Industrial processes, Automation
- Machine tools, Laser cutting, Compressors
- Oxygen, Steam, Medical
- Chemical and Petrochemical industry



Ordering codes

Series	Port size	Functions	Orifice inch (mm)	Sealing materials	Version	Thread	Suitable coils	
0 1 C	0 2 02 = 1/8" 03 = 1/4"	3 3 = 3/2 NC	1 5 15 = 1/16 (1.5) 02 = 5/64 (2) 25 = 3/32 (2.5)	N N = NBR E = EPDM V = FKM	0 0 = Standard	N N = NPTF	N N = N series - SOL03	A A = 12V DC B = 24V DC 6 = 120V AC 4 = 240V AC

Valves and coils are supplied separately. Upon commercial agreements can be supplied assembled.

Code	Sealing materials	Port size	Ø Orifice		Viscosity	Cv (Kv)		Differential pressure (OPD)			Power		Coils		
			inch (mm)			cSt	gpm (m³/h)		psi (bar)			DC	AC	Size	Series N - Page 15.7
			IN	EXH			IN	EXH	Min	Max DC	Max AC	W	VA	mm	
01C 02 3 15 _ 0 N	N = NBR +14°F +194°F (-10°C +90°C) V = FKM +14°F +284°F (-10°C +140°C) E = EPDM +14°F +284°F (-10°C +140°C)	1/8"	1/16 (1.5)	1/16 (1.4)	25	0.07 (0.06)	0.06 (0.05)	0	137 (9.5)	137 (9.5)	4.6	6.8	36	N - SOL03 *	
01C 02 3 02 _ 0 N			5/64 (2)	1/16 (1.4)	37	0.10 (0.09)	0.06 (0.05)	0	72 (5)	72 (5)					
01C 02 3 25 _ 0 N			3/32 (2.5)	1/16 (1.4)	53	0.17 (0.15)	0.06 (0.05)	0	43 (3)	43 (3)					
01C 03 3 15 _ 0 N		1/4"	1/16 (1.5)	1/16 (1.4)	25	0.07 (0.06)	0.06 (0.05)	0	137 (9.5)	137 (9.5)					
01C 03 3 02 _ 0 N			5/64 (2)	1/16 (1.4)	37	0.10 (0.09)	0.06 (0.05)	0	72 (5)	72 (5)					
01C 03 3 25 _ 0 N			3/32 (2.5)	1/16 (1.4)	53	0.17 (0.15)	0.06 (0.05)	0	43 (3)	43 (3)					

① Select seal material

*** COIL SERIES N - SOL03**

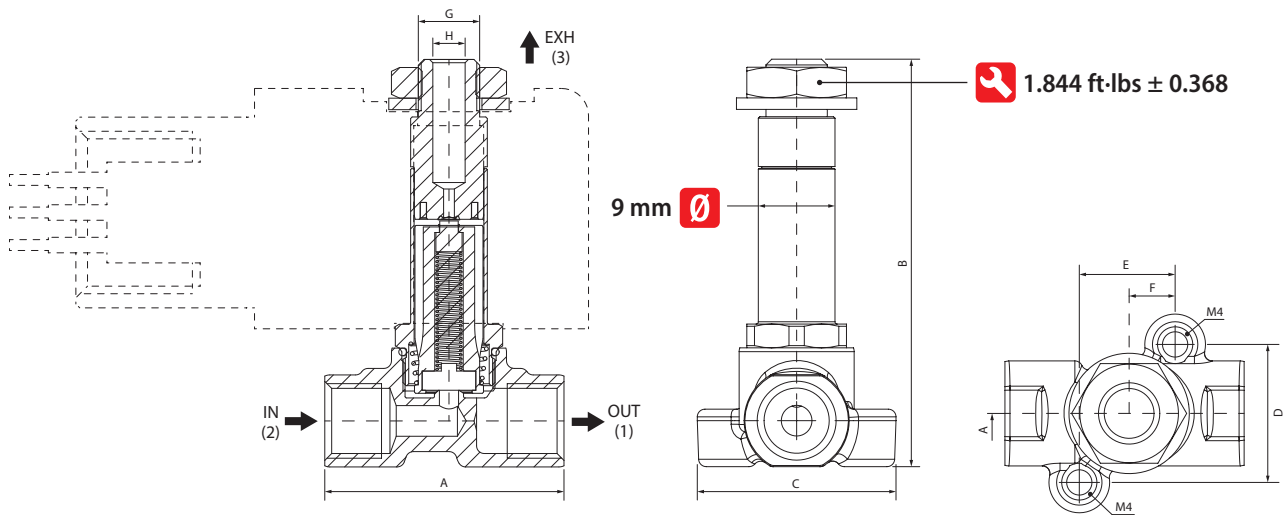
Ex m II T4 and Division 1

Specifications in accordance to CSA certificate:

- Class I, Division 1, Groups A, B, C and D; Class II, Groups E, F and G; Class III;
- Class I, Division 2, Groups A, B, C, D.

Specifications in accordance to FM certificate:

- Explosionproof Class I, Division 1, Groups A, B, C, D, T4, Ta=60°C
- Encapsulation/explosionproof Class I, Zone 1, AEx m II T4, Ta=60°C
- Dust-ignitionproof for Class II/III, Division 1, Group E, F and G, T4, Ta=60°C
- Nonincendive Class I, Division 2, Groups A, B, C, D, T4, Ta=60°C
- Suitable for Class II, III, Division 2, Groups E, F, G, T4, Ta=60°C



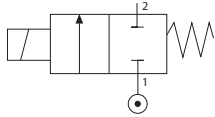
Size	A	B	C	D	E	F	G	H
	inch (mm)	inch (mm)	inch (mm)	inch (mm)	inch (mm)	inch (mm)		
1/8"	1.228 (31.2)	2.090 (53.1)	1.019 (25.9)	0.708 (18)	0.492 (12.5)	0.236 (6)	M8 x 0.75	M5
1/4"	1.456 (37)	2.208 (56.1)	1.141 (29)	0.826 (21)	0.472 (12)	0.236 (6)	M8 x 0.75	M5

Series X1C

DIRECT ACTING SOLENOID VALVES WITH BODY IN STAINLESS STEEL AISI 316L

2/2 NC

1/8" - 1/4"



Component Parts and Materials

- 1 Body: Stainless steel AISI 316L
- 2 Seals: NBR - EPDM - FKM
- 3 Armature tube: Stainless steel
- 4 Fixed and mobile core: Stainless steel AISI 430FR
- 5 Springs: Stainless steel
- 6 Shading ring: Copper



General features - X1C

- Universal mounting position
- Operator kit Ø 9 mm
- Coils: Series SOL03



Maximum allowable pressure

580 psi (40 bar)



Compatibility and materials table

Page 0.13 - 0.14



Room temperature with coil class H

+14°F +140°F
-10°C +60°C



Applications

- Water, Oils, Corrosive liquids
- Air, Inert and aggressive gases, Vacuum
- Food industry
- Laser cutting, Welding, Metallurgy
- Oxygen, Steam, Medical
- Chemical and Petrochemical Industry



Ordering codes

Series	Port size	Functions	Orifice inch (mm)	Sealing materials	Version	Thread	Suitable coils
X 1 C	0 2	1	1 5	N	0	N	N A
	02 = 1/8" 03 = 1/4"	1 = 2/2 NC	15 = 1/16 (1.5) 02 = 5/64 (2) 25 = 3/32 (2.5)	N = NBR E = EPDM V = FKM	0 = Standard	N = NPTF	N = N series - SOL03 A = 12V DC B = 24V DC 6 = 120V AC 4 = 240V AC

Valves and coils are supplied separately. Upon commercial agreements can be supplied assembled.

Code	Sealing materials	Port size	Ø Orifice	Viscosity	Cv (Kv)	Differential pressure (OPD)			Power		Coils				
						inch (mm)	cSt	gpm (m³/h)	psi (bar)			DC	AC	Size	Series N - Page 15.7
									Min	Max DC	Max AC	W	VA	mm	
X1C 02 1 15 _0 N	N = NBR +14°F +194°F (-10°C +90°C)	1/8"	1/16 (1.5)	25	0.07 (0.06)	0	580 (40)	580 (40)	4.6	6.8	36	N - SOLO3 *			
X1C 02 1 02 _0 N			5/64 (2)	37	0.10 (0.09)	0	435 (30)	580 (40)							
X1C 02 1 25 _0 N			3/32 (2.5)	53	0.17 (0.15)	0	145 (10)	290 (20)							
X1C 03 1 15 _0 N	V = FKM +14°F +284°F (-10°C +140°C)	1/4"	1/16 (1.5)	25	0.07 (0.06)	0	580 (40)	580 (40)							
X1C 03 1 20 _0 N			5/64 (2)	37	0.10 (0.09)	0	435 (30)	580 (40)							
X1C 03 1 25 _0 N			3/32 (2.5)	53	0.17 (0.15)	0	145 (10)	290 (20)							

① Select seal material

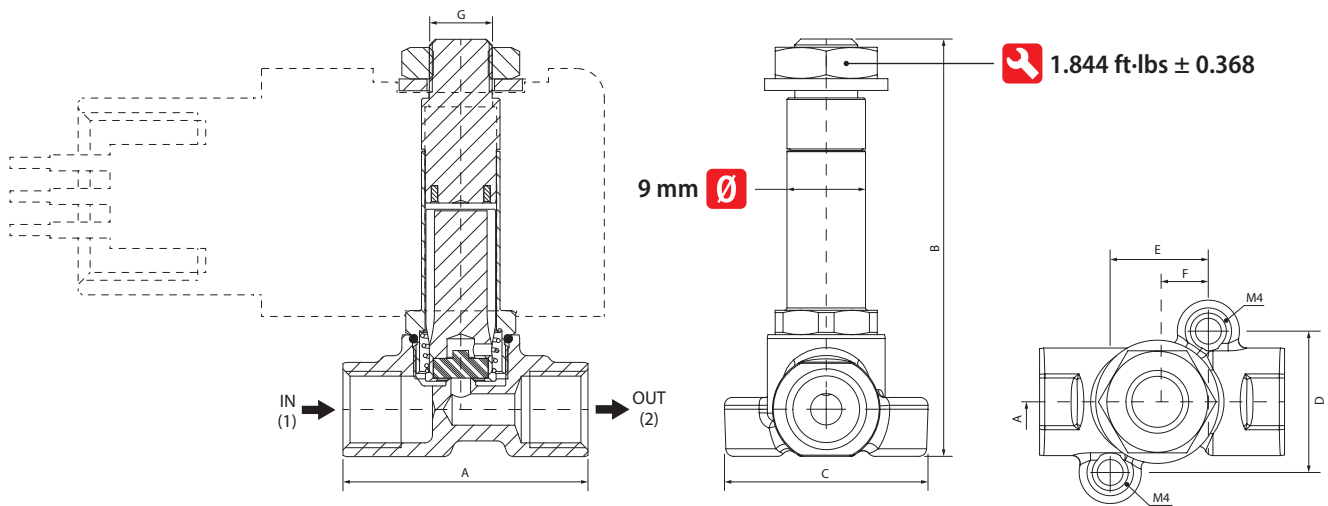
* **COIL SERIES N - SOLO3**
 Ex m II T4 and Division 1

Specifications in accordance to CSA certificate:

- Class I, Division 1, Groups A, B, C and D; Class II, Groups E, F and G; Class III;
- Class I, Division 2, Groups A, B, C, D.

Specifications in accordance to FM certificate:

- Explosionproof Class I, Division 1, Groups A, B, C, D, T4, Ta=60°C
- Encapsulation/explosionproof Class I, Zone 1, AEx m II T4, Ta=60°C
- Dust-ignitionproof for Class II/III, Division 1, Group E, F and G, T4, Ta=60°C
- Nonincendive Class I, Division 2, Groups A, B, C, D, T4, Ta=60°C
- Suitable for Class II, III, Division 2, Groups E, F, G, T4, Ta=60°C



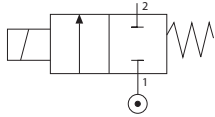
Size	A	B	C	D	E	F	G
1/8"	1.228 (31.2)	2.090 (53.1)	1.019 (25.9)	0.708 (18)	0.492 (12.5)	0.255 (6.5)	M8 x 0.75
1/4"	1.456 (37)	2.208 (56.1)	1.141 (29)	0.826 (21)	0.472 (12)	0.236 (6)	M8 x 0.75

Series X1C

DIRECT ACTING SOLENOID VALVES WITH BODY IN STAINLESS STEEL AISI 316L

3/2 NC

1/8" - 1/4"



Component Parts and Materials

- 1 Body: Stainless steel AISI 316L
- 2 Seals: NBR - EPDM - FKM
- 3 Armature tube: Stainless steel
- 4 Fixed and mobile core: Stainless steel AISI 430FR
- 5 Springs: Stainless steel
- 6 Shading ring: Copper



General features - X1C

- Universal mounting position
- Operator kit Ø 9 mm
- Coils: Series SOL03



Maximum allowable pressure

580 psi (40 bar)



Compatibility and materials table

Page 0.13 - 0.14



Room temperature with coil class H

+14°F +140°F
-10°C +60°C



Applications

- Water, Oils, Corrosive liquids
- Air, Inert and aggressive gases, Vacuum
- Food industry
- Laser cutting, Welding, Metallurgy
- Oxygen, Steam, Medical
- Chemical and Petrochemical Industry



Ordering codes

Series	Port size	Functions	Orifice inch (mm)	Sealing materials	Version	Thread	Suitable coils
X 1 C	0 2	3	1 5	N	0	N	N A
	02 = 1/8" 03 = 1/4"	3 = 3/2 NC	15 = 1/16 (1.5) 02 = 5/64 (2) 25 = 3/32 (2.5)	N = NBR E = EPDM V = FKM	0 = Standard	N = NPTF	N = N series - SOL03 A = 12V DC B = 24V DC 6 = 120V AC 4 = 240V AC

Valves and coils are supplied separately. Upon commercial agreements can be supplied assembled.

Code	Sealing materials	Port size	Ø Orifice		Viscosity	Cv (Kv)		Differential pressure (OPD)			Power		Coils		
			inch (mm)			cSt	gpm (m³/h)		psi (bar)			DC	AC	Size	Series N - Page 15.7
			IN	EXH			IN	EXH	Min	Max DC	Max AC	W	VA	mm	
X1C 02 3 15 _0 N	N = NBR +14°F +194°F (-10°C +90°C) V = FKM +14°F +284°F (-10°C +140°C) E = EPDM +14°F +284°F (-10°C +140°C)	1/8"	1/16 (1.5)	1/16 (1.4)	25	0.07 (0.06)	0.06 (0.05)	0	137 (9.5)	137 (9.5)	4.6	6.8	36	N - SOL03 *	
X1C 02 3 02 _0 N			5/64 (2)	1/16 (1.4)	37	0.10 (0.09)	0.06 (0.05)	0	72 (5)	72 (5)					
X1C 02 3 25 _0 N			3/32 (2.5)	1/16 (1.4)	53	0.17 (0.15)	0.06 (0.05)	0	43 (3)	43 (3)					
X1C 03 3 15 _0 N		1/4"	1/16 (1.5)	1/16 (1.4)	25	0.07 (0.06)	0.06 (0.05)	0	137 (9.5)	137 (9.5)					
X1C 03 3 20 _0 N			5/64 (2)	1/16 (1.4)	37	0.10 (0.09)	0.06 (0.05)	0	72 (5)	72 (5)					
X1C 03 3 25 _0 N			3/32 (2.5)	1/16 (1.4)	53	0.17 (0.15)	0.06 (0.05)	0	43 (3)	43 (3)					

① Select seal material

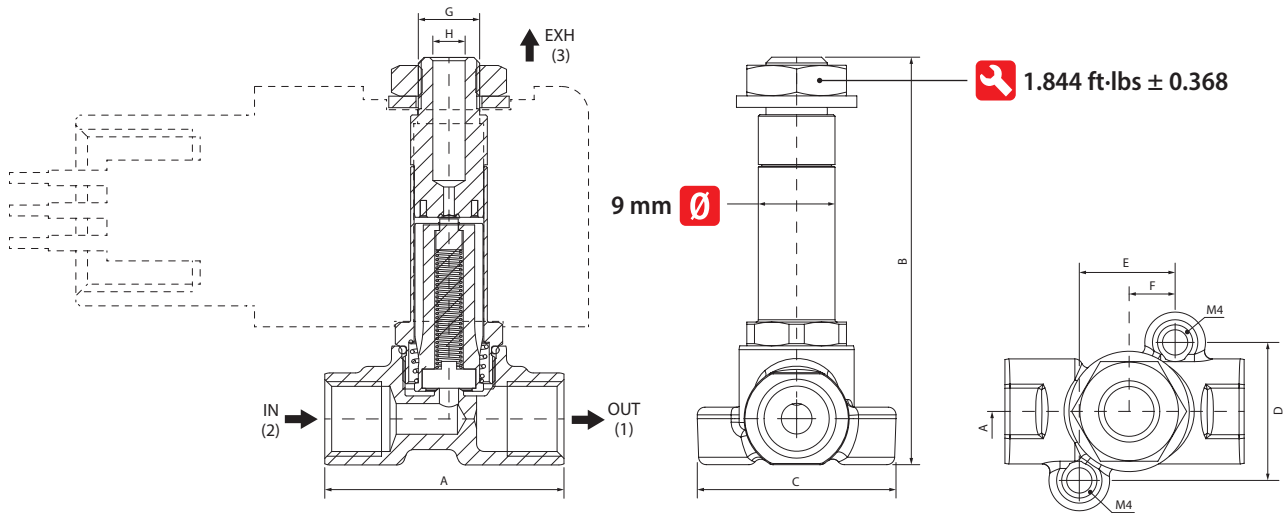
* **COIL SERIES N - SOL03**
 Ex m II T4 and Division 1

Specifications in accordance to CSA certificate:

- Class I, Division 1, Groups A, B, C and D; Class II, Groups E, F and G; Class III;
- Class I, Division 2, Groups A, B, C, D.

Specifications in accordance to FM certificate:

- Explosionproof Class I, Division 1, Groups A, B, C, D, T4, Ta=60°C
- Encapsulation/explosionproof Class I, Zone 1, AEx m II T4, Ta=60°C
- Dust-ignitionproof for Class II/III, Division 1, Group E, F and G, T4, Ta=60°C
- Nonincendive Class I, Division 2, Groups A, B, C, D, T4, Ta=60°C
- Suitable for Class II, III, Division 2, Groups E, F, G, T4, Ta=60°C



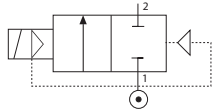
Size	A	B	C	D	E	F	G	H
1/8"	1.228 (31.2)	2.090 (53.1)	1.019 (25.9)	0.708 (18)	0.492 (12.5)	0.236 (6)	M8 x 0.75	M5
1/4"	1.456 (37)	2.208 (56.1)	1.141 (29)	0.826 (21)	0.472 (12)	0.236 (6)	M8 x 0.75	M5

Series 04C

SERVO-ASSISTED SOLENOID VALVES WITH BRASS BODY

2/2 NC

1/4" → 1"



Component Parts and Materials

- 1 Body: Brass CW617N
- 2 Seals: NBR - EPDM - FKM
- 3 Armature tube: Stainless steel
- 4 Fixed and mobile core: Stainless steel AISI 430FR
- 5 Springs: Stainless steel



General features - 04C

- Recommended horizontal mounting position
- Operator kit Ø 9 mm
- Coils: Series SOL03



Maximum allowable pressure

363 psi (25 bar)



Compatibility and materials table

Page 0.13 - 0.14



Room temperature with coil class H

+14°F +140°F
-10°C +60°C



Applications

- Water, Neutral liquids, Oils
- Water management, Water treatment
- Agriculture, Irrigation, Zootechnics
- Car washes, Washing systems
- Industrial processes, Refrigeration
- Air, Inert gases, Vacuum
- Oxygen, Steam



Ordering codes

Series	Port size	Functions	Orifice inch (mm)	Sealing materials	Version	Thread	Suitable coils
04C	03	1	10	N	H	N	N A
	03 = 1/4"	1 = 2/2 NC	10 = 25/64 (10)	N = NBR	H = Standard	N = NPTF	N = N series - SOL03 A = 12V DC
	04 = 3/8"		14 = 35/64 (14)	E = EPDM	4 = Reinforced diaphragm (on request)		B = 24V DC
	05 = 1/2"		18 = 45/64 (18)	V = FKM	T = Speed regulator (on request)		6 = 120V AC
	07 = 3/4"		25 = 1 (25)		5 = Version 4 + T (on request)		4 = 240V AC
	09 = 1"						

Valves and coils are supplied separately. Upon commercial agreements can be supplied assembled.

Code	Sealing materials	Port size	Ø Orifice	Viscosity	Cv (Kv)	Differential pressure (OPD)			Power		Coils	
						psi (bar)			DC W	AC VA	Size mm	Series N - Page 15.7
						Min	Max DC	Max AC				
04C 03 1 10 _ HN	N = NBR +14°F +194°F (-10°C +90°C) V = FKM +14°F +284°F (-10°C +140°C) E = EPDM +14°F +284°F (-10°C +140°C)	1/4"	25/64 (10)	25	2.19 (1.88)	2 (0.15)	232 (16)	232 (16)	4.6	6.8	36	N - SOLO3 *
04C 04 1 14 _ HN		3/8"	35/64 (14)	25	3.87 (3.32)	2 (0.15)	232 (16)	232 (16)				
04C 05 1 14 _ HN		1/2"	35/64 (14)	25	4.11 (3.53)	2 (0.15)	232 (16)	232 (16)				
04C 07 1 18 _ HN		3/4"	45/64 (18)	25	6.48 (5.56)	2 (0.15)	232 (16)	232 (16)				
04C 09 1 25 _ HN		1"	1 (25)	25	12.78 (10.97)	2 (0.15)	232 (16)	232 (16)				

① Select seal material

* **COIL SERIES N - SOLO3**

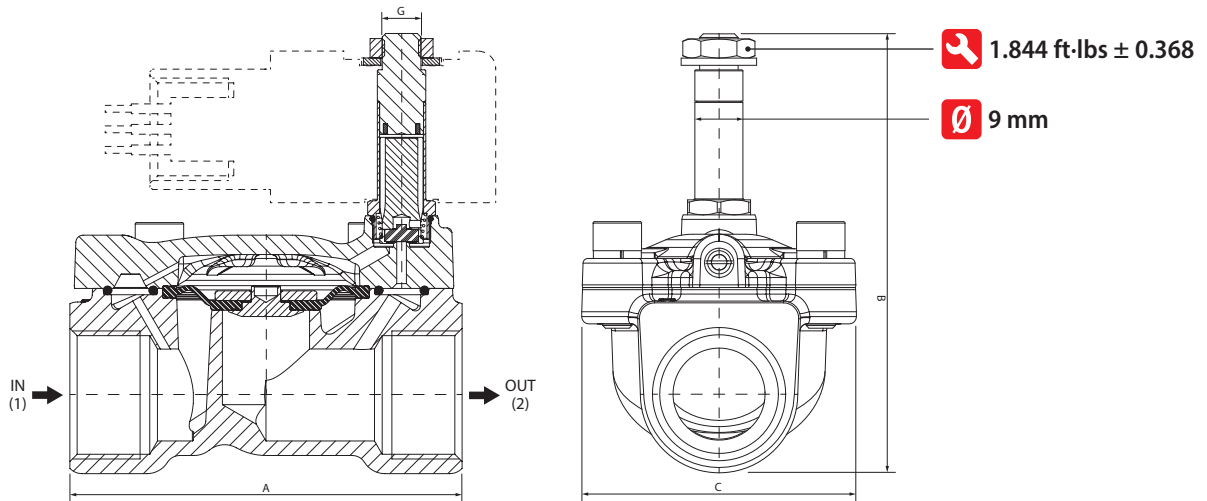
Ex m II T4 and Division 1

Specifications in accordance to CSA certificate:

- Class I, Division 1, Groups A, B, C and D; Class II, Groups E, F and G; Class III;
- Class I, Division 2, Groups A, B, C, D.

Specifications in accordance to FM certificate:

- Explosionproof Class I, Division 1, Groups A, B, C, D, T4, Ta=60°C
- Encapsulation/explosionproof Class I, Zone 1, AEx m II T4, Ta=60°C
- Dust-ignitionproof for Class II/III, Division 1, Group E, F and G, T4, Ta=60°C
- Nonincendive Class I, Division 2, Groups A, B, C, D, T4, Ta=60°C
- Suitable for Class II, III, Division 2, Groups E, F, G, T4, Ta=60°C



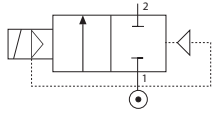
Size	A inch (mm)	B inch (mm)	C inch (mm)	G
1/4"	2.185 (55.5)	2.854 (72.5)	1.385 (35.2)	M8 x 0.75
3/8"	2.570 (65.3)	3.153 (80.1)	1.826 (46.4)	M8 x 0.75
1/2"	2.570 (65.3)	3.153 (80.1)	1.826 (46.4)	M8 x 0.75
3/4"	3.188 (81)	3.578 (90.9)	2.232 (56.7)	M8 x 0.75
1"	3.740 (95)	3.818 (97)	2.559 (65)	M8 x 0.75

Series 04C

SERVO-ASSISTED SOLENOID VALVES WITH BRASS BODY

2/2 NC

1"1/4 → 2"



Component Parts and Materials

- 1 Body: Brass CW617N
- 2 Seals: NBR - EPDM - FKM
- 3 Armature tube: Stainless steel
- 4 Fixed and mobile core: Stainless steel AISI 430FR
- 5 Springs: Stainless steel



General features - 04C

- Recommended horizontal mounting position
- Operator kit Ø 9 mm
- Coils: Series SOL03



Maximum allowable pressure

363 psi (25 bar)



Compatibility and materials table

Page 0.13 - 0.14



Room temperature with coil class H

+14°F +140°F
-10°C +60°C



Applications

- Water, Neutral liquids, Oils
- Water management, Water treatment
- Agriculture, Irrigation, Zootechnics
- Car washes, Washing systems
- Industrial processes, Refrigeration
- Air, Inert gases, Vacuum
- Oxygen, Steam



Ordering codes

Series	Port size	Functions	Orifice inch (mm)	Sealing materials	Version	Thread	Suitable coils
04C	XF	1	40	N	T	N	N A
	XF = 1"1/4 XG = 1"1/2 XH = 2"	1 = 2/2 NC	40 = 1" 9/16 (40) 50 = 1" 61/64 (50)	N = NBR E = EPDM V = FKM	T: Without manual override 1: With manual override (on request)	N = NPTF	N = N series - SOL03 A = 12V DC B = 24V DC 6 = 120V AC 4 = 240V AC

Valves and coils are supplied separately. Upon commercial agreements can be supplied assembled.

Code	Sealing materials	Port size	Ø Orifice	Viscosity	Cv (Kv)	Differential pressure (OPD)			Power		Coils	
						gpm (m ³ /h)	psi (bar)		DC	AC	Size	Series N - Page 15.7
							Min	Max DC	Max AC	W	VA	
①	①	NPTF	inch (mm)	cSt								

With speed regulator												
04C XF 1 40 _T N	N = NBR +14°F +194°F (-10°C +90°C)	1"1/4	1" 9/16 (40)	25	27.74 (24)	2.9 (0.20)	145 (10)	145 (10)	4.6	6.8	36	N - SOL03 *
04C XG 1 40 _T N	V = FKM +14°F +284°F (-10°C +140°C)	1"1/2	1" 9/16 (40)	25	29.2 (25.3)	2.9 (0.20)	145 (10)	145 (10)				
04C XH 1 50 _T N	E = EPDM +14°F +284°F (-10°C +140°C)	2"	1" 61/64 (50)	25	47.39 (41)	2.9 (0.20)	145 (10)	145 (10)				

① Select seal material

* **COIL SERIES N - SOL03**
Ex m II T4 and Division 1

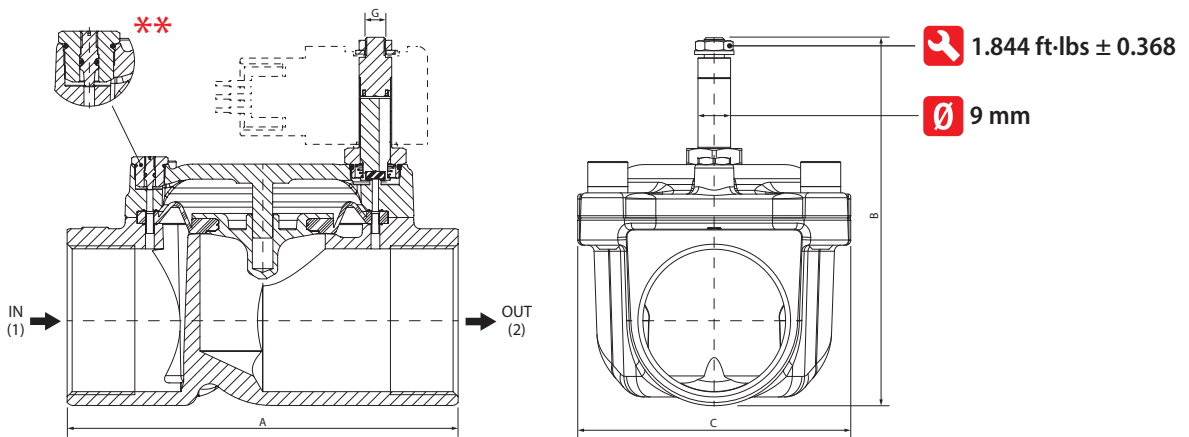
Specifications in accordance to CSA certificate:

- Class I, Division 1, Groups A, B, C and D; Class II, Groups E, F and G; Class III;
- Class I, Division 2, Groups A, B, C, D.

Specifications in accordance to FM certificate:

- Explosionproof Class I, Division 1, Groups A, B, C, D, T4, Ta=60°C
- Encapsulation/explosionproof Class I, Zone 1, AEx m II T4, Ta=60°C
- Dust-ignitionproof for Class II/III, Division 1, Group E, F and G, T4, Ta=60°C
- Nonincendive Class I, Division 2, Groups A, B, C, D, T4, Ta=60°C
- Suitable for Class II, III, Division 2, Groups E, F, G, T4, Ta=60°C

** Speed regulator



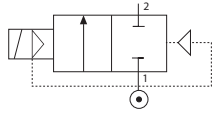
Size	A inch (mm)	B inch (mm)	C inch (mm)	G
1"1/4	5.51 (140)	5 (127)	3.85 (98)	M8 x 1
1"1/2	5.51 (140)	5 (127)	3.85 (98)	M8 x 1
2"	6.14 (156)	5.78 (147)	4.29 (109)	M8 x 1

Series X4C

SERVO-ASSISTED SOLENOID VALVES WITH BRASS BODY

2/2 NC

1/4" → 1"



Component Parts and Materials

- 1 Body: Stainless steel AISI 316L
- 2 Seals: NBR - EPDM - FKM
- 3 Armature tube: Stainless steel
- 4 Fixed and mobile core: Stainless steel AISI 430FR
- 5 Springs: Stainless steel
- 6 Shading ring: Copper



General features - X4C

- Recommended horizontal mounting position
- Operator kit Ø 9 mm
- Coils: Series SOL03



Maximum allowable pressure

363 psi (25 bar)



Compatibility and materials table

Page 0.13 - 0.14



Room temperature with coil class H

+14°F +140°F
-10°C +60°C



Applications

- Water, Oils, Neutral and corrosive liquids
- Water management, Water treatment
- Food industry, Washing systems
- Industrial processes, Refrigeration
- Air, Inert and aggressive gases
- Oxygen, Steam
- Chemical and Petrochemical industry



Ordering codes

Series	Port size	Functions	Orifice inch (mm)	Sealing materials	Version	Thread	Suitable coils
X 4 C	0 3	1	1 0	N	H	N	N A
	03 = 1/4"	1 = 2/2 NC	10 = 25/64 (10)	N = NBR	H = Standard	N = NPTF	N = N series - SOL03 A = 12V DC
	04 = 3/8"		14 = 35/64 (14)	E = EPDM			B = 24V DC
	05 = 1/2"		18 = 45/64 (18)	V = FKM			6 = 120V AC
	07 = 3/4"		25 = 1 (25)				4 = 240V AC
	09 = 1"						

Valves and coils are supplied separately. Upon commercial agreements can be supplied assembled.

Code	Sealing materials	Port size	Ø Orifice	Viscosity	Cv (Kv)	Differential pressure (OPD)			Power		Coils	
						psi (bar)			DC W	AC VA	Size mm	Series N - Page 15.7
						Min	Max DC	Max AC				
X4C 03 1 10 _H N	N = NBR +14°F +194°F (-10°C +90°C) V = FKM -22°F +302°F (-30°C +150°C) E = EPDM +14°F +284°F (-10°C +140°C)	NPTF	inch (mm)	cSt	gpm (m³/h)	2 (0.15)	232 (16)	232 (16)	4.6	6.8	36	N - SOLO3 *
X4C 04 1 14 _H N		1/4"	25/64 (10)	25	2.19 (1.88)	2 (0.15)	232 (16)	232 (16)				
X4C 05 1 14 _H N		3/8"	35/64 (14)	25	3.87 (3.32)	2 (0.15)	232 (16)	232 (16)				
X4C 07 1 18 _H N		1/2"	35/64 (14)	25	4.11 (3.53)	2 (0.15)	232 (16)	232 (16)				
X4C 09 1 25 _H N		3/4"	45/64 (18)	25	6.48 (5.56)	2 (0.15)	232 (16)	232 (16)				
		1"	1 (25)	25	12.78 (10.97)	2 (0.15)	232 (16)	232 (16)				

① Select seal material

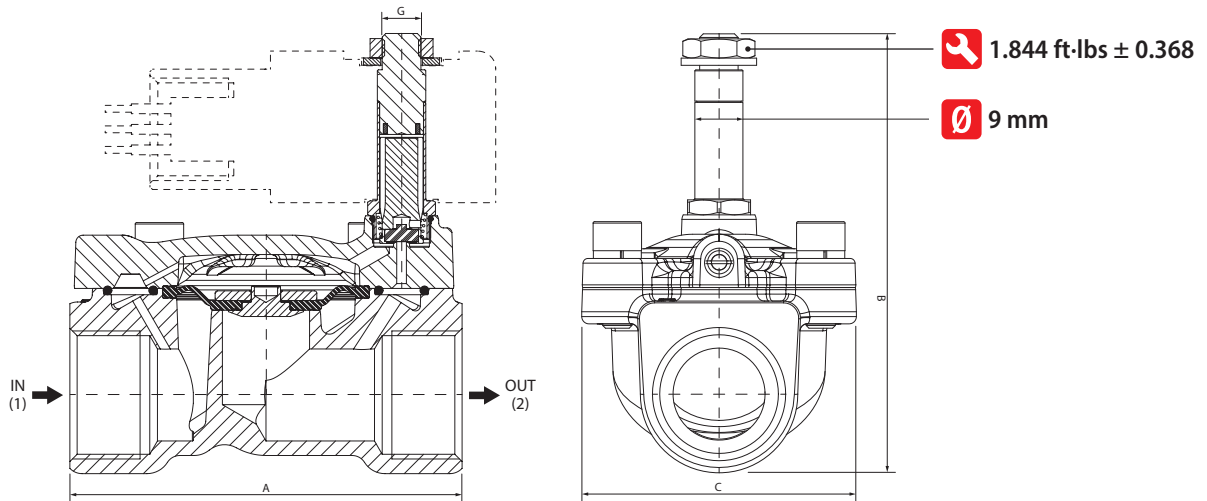
* **COIL SERIES N - SOLO3**
Ex m II T4 and Division 1

Specifications in accordance to CSA certificate:

- Class I, Division 1, Groups A, B, C and D; Class II, Groups E, F and G; Class III;
- Class I, Division 2, Groups A, B, C, D.

Specifications in accordance to FM certificate:

- Explosionproof Class I, Division 1, Groups A, B, C, D, T4, Ta=60°C
- Encapsulation/explosionproof Class I, Zone 1, AEx m II T4, Ta=60°C
- Dust-ignitionproof for Class II/III, Division 1, Group E, F and G, T4, Ta=60°C
- Nonincendive Class I, Division 2, Groups A, B, C, D, T4, Ta=60°C
- Suitable for Class II, III, Division 2, Groups E, F, G, T4, Ta=60°C



Size	A inch (mm)	B inch (mm)	C inch (mm)	G
1/4"	2.185 (55.5)	2.854 (72.5)	1.385 (35.2)	M8 x 0.75
3/8"	2.570 (65.3)	3.153 (80.1)	1.826 (46.4)	M8 x 0.75
1/2"	2.570 (65.3)	3.153 (80.1)	1.826 (46.4)	M8 x 0.75
3/4"	3.188 (81)	3.578 (90.9)	2.232 (56.7)	M8 x 0.75
1"	3.740 (95)	3.818 (97)	2.559 (65)	M8 x 0.75