





EXCELLENT SOLUTIONS IN FLUIDTECHNOLOGY

For over 45 years, Aignep has been a leading manufacturer of fluid and compressed air FITTINGS. Driven by a constant desire for innovation, our company has gained successful experience in various fields of industrial AUTOMATION with high quality and design products such as: cylinders, pneumatic valves, the "FLUIDITY" line with solenoid control valves for fluids, the "INFINITY" line for compressed air distribution, special fittings and QUICK COUPLING for any types of fluid.

All products are designed by a team of qualified engineers and they are manufactured in the production site of Bione, Italy, covering 25.000 m². We have over 14.000 standard items ex stock and countless special versions available on request.

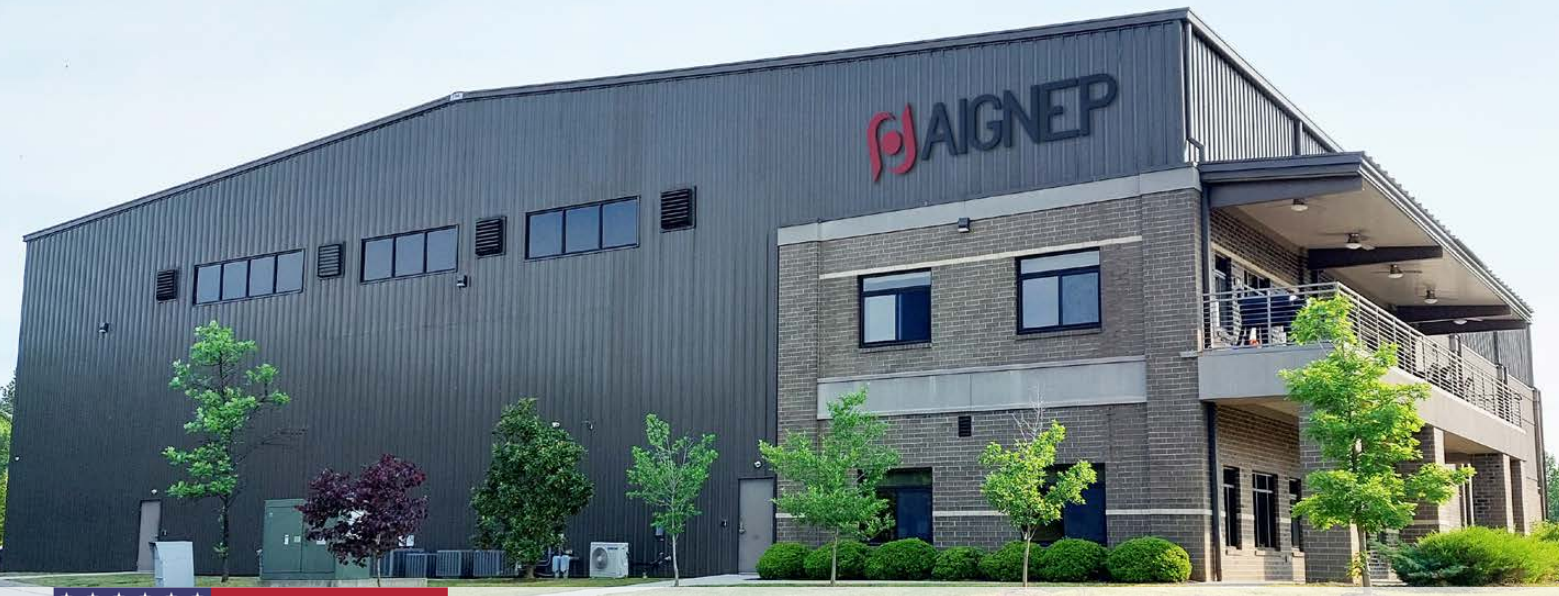
Aignep invests every year in industrial automation, innovation and services to meet the worldwide customers' demands. In order to stay closer to our customers, our company has 11 branches spread around the globe: USA, Spain, France, Switzerland, Brasil, Colombia, China, Russian, Germany, Mexico and Vietnam becoming a multinational Group.

"Excellent solutions in fluidtechnology"

"Listening to our customers, understanding their needs is the power that drives us to develop everyday new solutions for fluid and compressed air".

GRAZIANO BUGATTI
CEO of Aignep



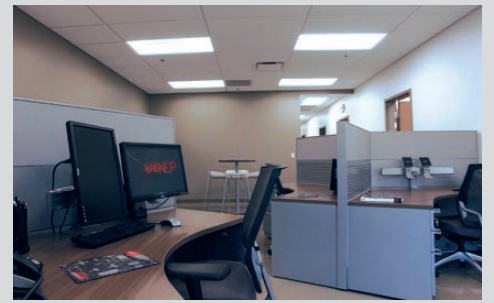


Aignep USA

In the mid-1990's, Aignep partnered with Aignep USA to expand into North America. The North American headquarters relocated in 2015 to a new, state-of-the-art facility in Fairview, TN. which also serves as a cylinder production site.

Over the past 20 years both Aignep and Aignep USA have experienced extensive growth and has resulted in the establishment of 9 locations throughout the world.

As Aignep's global footprint continues to expand it was strategically important to change the name from Alpha to Aignep USA.



AIGNEP SPA - Headquarter

Via Don G. Bazzoli - 34
25070 Bione (BS)
ITALY

T: +39 0365 896626
F: +39 0365 896561

aignep.it@aignep.com

Fluidity division:

Via Archimede - 31
20864 Agrate Brianza (MB)
ITALY

AIGNEP USA LLC

7121 Loblolly Pine Blvd
Fairview, TN 37062
U.S.A.

T: +1 615 771 6650
F: +1 615 771 0926

aignep.usa@aignep.com

Sucursal:

Greater Toronto Area
CANADA

T: +1 647 473 6802
aignep.ca@aignep.com

AIGNEP IBERICA SA

Pol. Ind. el Tortuguer "Can Prat"
Naves 23 y 24 08691
Monistrol de Montserrat - Barcelona
SPAIN

T: +34 93 828 47 36
F: +34 93 828 44 32

aignep.es@aignep.com

AIGNEP FRANCE SARL

Rue des Prairies, 4 - 44840
Les Sorinieres
FRANCE

T: +33 27 22 42 650

aignep.fr@aignep.com

AIGNEP (Wuxi) FLUID TECHNOLOGY CO., LT D.

NO. 8, Yanggong Road, Nanhu
Main Road, Wuxi Jiangsu.
CHINA

T: +86 0510 8544 1923
F: +86 0510 8540 0223

aignep.cn@aignep.com

AIGNEP RUS LLC.

Ryazansky prosp. h. 22, build.
2, office 723, 109428 - Moscow
RUSSIAN

T: +7 49 5143 6286

aignep.ru@aignep.com

Distribution network in:

ALBANIA ALGERIA ARGENTINE AUSTRALIA AUSTRIA AZERBAIGIAN BELARUS BELGIUM BOLIVIA BOSNIA
HERZEGOVINA **BRASIL** BULGARIA CAMEROON CANADA CHILE **CHINA** **COLOMBIA** COSTA RICA CROATIA CYPRUS
CZECH REPUBLIC DEM. REP. CONGO DENMARK ECUADOR EGYPT EIRE ESTONIA ETHIOPIA FINLAND **FRANCE**
GERMANY GHANA GREAT BRITAIN GREECE GUATEMALA HONG KONG HUNGARY ICELAND INDIA INDONESIA
IRAN IRAQ ISRAEL **ITALY** IVORY COAST JAPAN JORDAN KAZAKISTAN KUWAIT LATVIA LEBANON LITHUANIA

AIGNEP AG

Industriestrasse 22A
CH-2545 Selzach
SWITZERLAND

T: +41 32 342 09 09

F: +41 32 342 09 11

aignep.ch@aignep.com

AIGNEP DO BRASIL COMERCIO DE COMPONENTES PARA AUTOMAÇÃO LTDA

Rua Batista Pereira, 99 - Macuco
Vila Mathias - 11015-011 - Santos/SP
BRASIL

T: +55 13 2138 4049

F: +55 13 2138 4052

aignep.br@aignep.com

AIGNEP LATAM SAS

Sede:

Calle 15, N 27-78, Local 7
Sec. Paloquemao - 111411
Bogotá
COLOMBIA

T: +57 601 375 2501/8

T: +57 601 744 2086

T: +57 601 745 2736

Sucursal:

Carrera 50 FF, N 8 Sur - 27
Ofi 404 Edificio 8908 - 050023
Medellin
COLOMBIA

T: +57 46 04 25 34

T: +57 46 04 21 87

aignep.latam@aignep.com

AIGNEP DEUTSCHLAND GMBH

Sitz der Gesellschaft: 48739 Legden
Industriepark 2
GERMANY

T: +49 2566 7039 290

F: +49 2566 7039 299

aignep.de@aignep.com

AIGNEP MÉXICO S.A DE C.V.

Año de Juárez, 177 - 09070
Bodega 2, Granjas de San Antonio
Iztapalapa
MEXICO

T: +52 55 5686 1421

F: +52 55 5686 1575

aignep.mx@aignep.com

AIGNEP VIETNAM COMPANY LIMITED

No.5, Street 3, Lakeview City, Thu
Duc City Ho Chi Minh City
VIETNAM

T: +84 09 7369 4501

aignep.vn@aignep.com

LUXEMBOURG MALAYSIA MAROCCO **MEXICO** MOLDOVA NEW ZELAND NICARAGUA NIGERIA NORTH MACEDONIA
NORWAY OMAN PAKISTAN PERU PHILIPPINES POLAND PORTUGAL QATAR REPUBLIC OF DOMINICANA
REPUBLIC OF MACEDONIA ROMANIA **RUSSIAN** SAUDI ARABIA SENEGAL SERBIA SINGAPORE SLOVAKIA
SLOVENIA SOUTH AFRICA SOUTH KOREA **SPAIN** SWEDEN **SWITZERLAND** TAIWAN TANZANIA THAILAND
THE NETHERLANDS TUNISIA TURKEY UKRAINE UAE URUGUAY **USA** **VIETNAM** YEMEN

...more information at: sales@aignep.it

Certifications

Il presente documento attesta e costituisce il certificato di certificazione del sistema di gestione per la qualità secondo la norma UNI EN ISO 9001:2015.

ICIM

CERTIFICATO n. **0055/8**
CERTIFICATE No.

SI CERTIFICA CHE IL SISTEMA DI GESTIONE PER LA QUALITÀ DI
 WE HEREBY CERTIFY THAT THE QUALITY MANAGEMENT SYSTEM OPERATED BY

AIGNEP S.P.A.
Sede e Unità Operativa
 Via Don Bazzoli, 34 - 25070 Bione (BS) - Italia
 Direzione e uffici amministrativi, progettazione, produzione e montaggio, magazzino.
Unità Operativa
 Via Industriale, 1 - 25070 Bione (BS) - Italia
 Montaggio e magazzino.

E CONFORME ALLA NORMA / IS IN COMPLIANCE WITH THE STANDARD

UNI EN ISO 9001:2015
 Sistema di Gestione per la Qualità / Quality Management System
 PER LE SEGUENTI ATTIVITÀ / FOR THE FOLLOWING ACTIVITIES

EA: 17

Progettazione e fabbricazione di: raccordi, valvole a sfera per l'impiantistica pneumatica, oleodinamica ed idraulica, componenti per il trattamento dell'aria compressa (FRL), cilindri pneumatici, elettrovalvole pneumatiche e per fluidi, sistemi di distribuzione dell'aria compressa.

Design and production of: fittings; ball valves for pneumatic, hydraulic and plumbing applications; components for compressed-air treatment (FRL); pneumatic cylinders; pneumatic and fluid electromagnetic valves; distribution systems for compressed-air.

Referire alla documentazione del Sistema di Gestione per la Qualità secondo per l'applicabilità dei requisiti della norma di riferimento.

Refer to the documentation of the Quality Management System for actual application to reference standard requirements.

Il presente certificato è soggetto al rispetto del documento CEM (Stipendio) per la certificazione dei sistemi di gestione e al modulo Schema specifico.

The use and the validity of the certificate shall satisfy the requirements of the ICIM document "Rules for the certification of company management systems" and specific Scheme.

The information printed hereafter are intended to be used as a reference only. The certificate is not a contract.

La firma di un'autorità di certificazione è un'indicazione di garanzia e non un'indicazione di garanzia.

The signature and sealed information about any changes in the certificate shall refer to the certificate.

Please contact the number +39 02 72541 or e-mail address info@icim.it.

Data emissione First issue	Emissione corrente Current issue	Data di scadenza Expiry date
11/12/1992	11/09/2018	17/09/2020

ICIM S.p.A.
 Piazza Don Enrico Micheli, 75 - 20090 Sesto San Giovanni (MI)
www.icim.it

ACCREDIA

CISQ

CISQ è la Federazione Italiana di Organismi di Certificazione dei Sistemi di Gestione e di Sistemi di Gestione per la Qualità. CISQ is the Italian Federation of Management System Certification Bodies.

IQNet
 THE INTERNATIONAL CERTIFICATION NETWORK

CERTIFICATE

CISQ/ICIM SPA has issued an IQNet recognized certificate that the organization:

AIGNEP S.P.A.
Head Office and Operative Unit
 Via Don Bazzoli, 34 - I-25070 Bione (BS)
Operative Unit
 Via Industriale, 1 - I-25070 Bione (BS)

has implemented and maintains a
Quality Management System
 for the following scope:

Design and production of: fittings; ball valves for pneumatic, hydraulic and plumbing applications; components for compressed-air treatment (FRL); pneumatic cylinders; pneumatic and fluid electromagnetic valves; distribution systems for compressed-air.
 which fulfils the requirements of the following standard:

ISO 9001:2015
 Issued on: **2018-09-11**
 First issued on: **1992-12-11**
 Expires on: **2020-09-17**

This attestation is directly linked to the IQNet Partner's original certificate and shall not be used as a stand-alone document.

Registration Number: **IT-3755**

IQNet Alex Stoichitov
 President of IQNET

CISQ Ing. Claudio Provetti
 President of CISQ

IQNet Partners*:
 AENOR Spain AFNOR Certification France APCER Portugal CCC Cyprus CISQ Italy
 CQC China CQM China CQS Czech Republic Cvt Cert Croatia DQS Holding GmbH Germany FCAV Brazil
 FONDONORMA Federazione INTEC Colombia Inspecta Sertificat Oy Finland INTECO Costa Rica
 IRAM Argentina JQA Japan KQF Korea MIRTEC Greece MSZT Hungary Neteko AS Norway NSAI Ireland
 NICE-SAGE Mexico PCBQ Poland Quality Austria Jantar RK Bosnia SII Jermol SQ Slovenia
 SIRIM QAS International Malaysia SQS Switzerland SRAC Romania TEST St Petersburg Russia TSE Turkey YUQS Serbia
 IQNet is represented in the USA by: AFNOR Certification, CISQ, DQS Holding GmbH and NSAI Inc.

* The list of IQNet partners is valid at the time of issue of this certificate. Updated information is available under www.iqnet-certification.com

TSSA
 TECHNICAL STANDARDS
 & SAFETY AUTHORITY

October 18, 2017

CATHERINE DIPLOCK
 PRESSURE VESSEL ENGINEERING LTD.
 120 RANDALL DR SUITE B
 WATERLOO ON N2V 1C6
 CA

Service Request Type: BPV-Fitting Registration
 Service Request No.: 2162394, 2175676
 Your Reference No.: PVE-10562
 Registered to: AIGNEP S.P.A.

Dear CATHERINE DIPLOCK,

Technical Standards and Safety Authority (TSSA) is pleased to inform you that your submission has been reviewed and registered as follows:

CRN No.: 0A19741.5 (For pipe connectors)
CRN No.: 0C19741.5 (For ball valves)
Main Design No.: AIGNEP QUICK PIPE CONNECTOR and BALL VALVES
- SEE SCOPE OF REGISTRATION DOCUMENT 10562S-1 REV 0 (6PGS)
Expiry Date: 18-Oct-2027

Please be advised that a valid quality control system must be maintained for the fitting registration to remain valid until the expiry date.

The stamped copy of the approved registration and the invoice are mailed separately. Should you have any questions or require further assistance, please contact a Customer Service Advisor at 1.877.682.TSSA (8772) or e-mail customerservices@tssa.org. We will be happy to assist you. When contacting TSSA regarding this file, please refer to the Service Request number provided above.

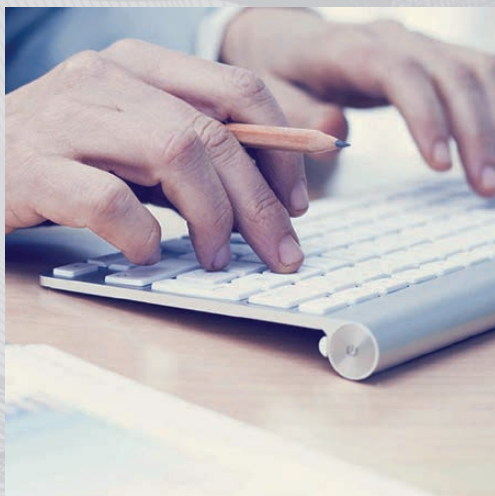
Yours truly,

Ruiming You, P.Eng.
 Mechanical Engineer, BPV
 Tel.: 416-734-3428
 Fax: 416-231-6183
 Email: ryou@tssa.org

345 Carlingview Drive
 Toronto, Ontario M9W 0N9
 Tel: 416 724 3300
 Fax 416 231 1926
 Toll Free: 1 877 682 8772
www.tssa.org



| Services



MYAIGNEP

Your documents online



 **AIGNEP**
SCAN

Your orders in one click



Catalogues

Our catalogues at your disposal

 90000 Pag. 20	 90010 90011 Pag. 23	 90012 Pag. 23	 90014 Pag. 24	 90017 Pag. 24	 90019 Pag. 24	 90021 Pag. 24	 90022 Pag. 25	 90024 Pag. 25
 90031 Pag. 25	 90040 Pag. 26	 90130 Pag. 26-27	 90140 Pag. 27	 90140 Pag. 28	 90230 Pag. 28	 90300 Pag. 29	 90300 Pag. 29	 90235 Pag. 30
 90237 Pag. 30-31	 90240 Pag. 31	 90248 Pag. 31	 90241 Pag. 32	 90242 Pag. 32	 90249 Pag. 33	 90254 Pag. 34	 90255 Pag. 34	 90610 Pag. 35
 90620 Pag. 35	 90621 Pag. 36	 90626 Pag. 36	 90628 Pag. 36	 90631 Pag. 37	 90643 Pag. 38	 90645 Pag. 39	 90601 Pag. 40	 90603 Pag. 40
 90661 Pag. 40	 90663 Pag. 41	 90665 Pag. 41	 90700 Pag. 41	 90705 Pag. 42	 90710 Pag. 42	 90721 Pag. 43	 90726 Pag. 43	 90740 Pag. 44
 90806 Pag. 46	 90808 Pag. 46	 90818 Pag. 46	 90817 Pag. 47	 90811 Pag. 47	 90821 Pag. 47	 90823 Pag. 48	 90831 Pag. 48	 90827 Pag. 49
 90827 Pag. 50	 90828 Pag. 51	 90830 Pag. 52	 90862 Pag. 52	 90870 Pag. 52	 90876 Pag. 53	 90880 Pag. 53	 90881 Pag. 53	 90885 Pag. 53
 VAL01 VAL03 Pag. 54	 90889 Pag. 54	 90680 Pag. 55	 90251 Pag. 56 - 57	 90259 Pag. 57	 90260 Pag. 57	 90988 Pag. 57	 90976 Pag. 58	 90000 Ø14mm Pag. 63
 Ø 14 mm Pag. 64-66	 Accessories Pag. 67-74							

DISTRIBUTION SYSTEM FOR COMPRESSED AIR, INERT GASES AND VACUUM



Serie Infinity

*"Aignep has been the sole inventor and manufacturer of **INFINITY**® products since our launch of the line in 2000"*

The INFINITY piping system for compressed air, vacuum, and inert gases is designed and manufactured by Aignep. This product line was born in 2000 to meet the growing needs of the market, innovating a new piping system as a better, more efficient solution to traditional iron piping. The unique technology of push-in fittings has now been implemented for all diameters. This limits the use of heavy, expensive and labor-intensive tools for installation, while maintaining a robust, safe, all-metal piping system. **MADE IN ITALY.**

Main advantages

- Easy Push-in Fittings
- Simple, Quick And Safe Installations
- Energy Efficient And Eco-friendly
- Full Metal System From Ø 20mm to Ø 168mm
- Patented Water Trapping System

Industries Served

- Distribution Centers
- General Manufacturing
- Food & Beverage
- Packaging Facilities
- Automotive Manufacturing
- Machine Shops
- Steel Production
- Auto Service Facilities

ON-SITE EXAMPLES



ISO CERTIFIED



Aignep is certified to UNI EN ISO 9001:2015: international standard for company quality management systems.

COMPLIANCE 2014/68/UE



Infinity® products satisfy the requirements of 2014/68/UE (PED: Pressure Equipment Directive).

REACH COMPLIANCE



All Infinity® products comply with REACH standard EC N°1907 / 2006 concerning restrictions of chemical hazardous substances.

ROHS COMPLIANCE



All Infinity® products comply with ROHS directives: 2011/65/UE concerning restrictions of dangerous substances in appliances.

ASME B31.1 / B31.3



Infinity® products satisfy the requirements of ASME B31.1 and ASME B31.3

CRN COMPLIANCE



Infinity has Full CRN Approval, conforming to the (TSSA) Technical Standards & Safety Authority

QUALICOAT COMPLIANCE



Chemical pre-treatments on Infinity® products comply with UNI 9921 - DIN 50939 - ASTM D 1730 - MIL C 5541 - UNI 9983 - BS 6496 - AAMA 603-605.

ABSENCE OF SILICONE



Infinity® products are silicon-free , in order to guarantee the highest purity level of air.

FIRE RESISTANCE



All Infinity® products are not flammable and they limit flame spread according to UNI EN 13501-1 : 2005. Class A2 - d1 - d0.

COMPLIANCE ISO 8573-1

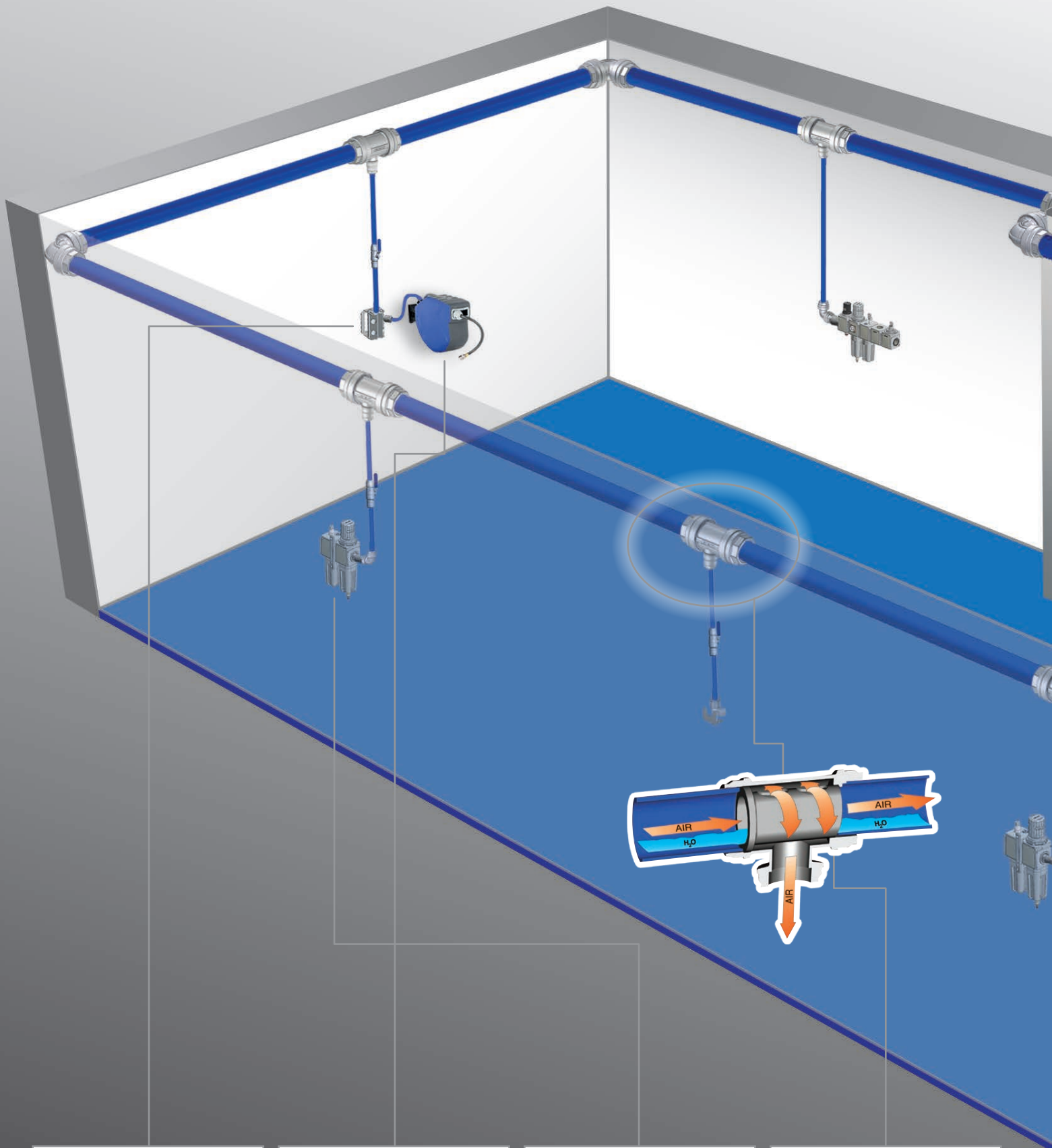


Infinity® system is tested in order to fully comply the norm. The Infinity® products do not contaminate the inner fluid.

INFINITY WARRANTY

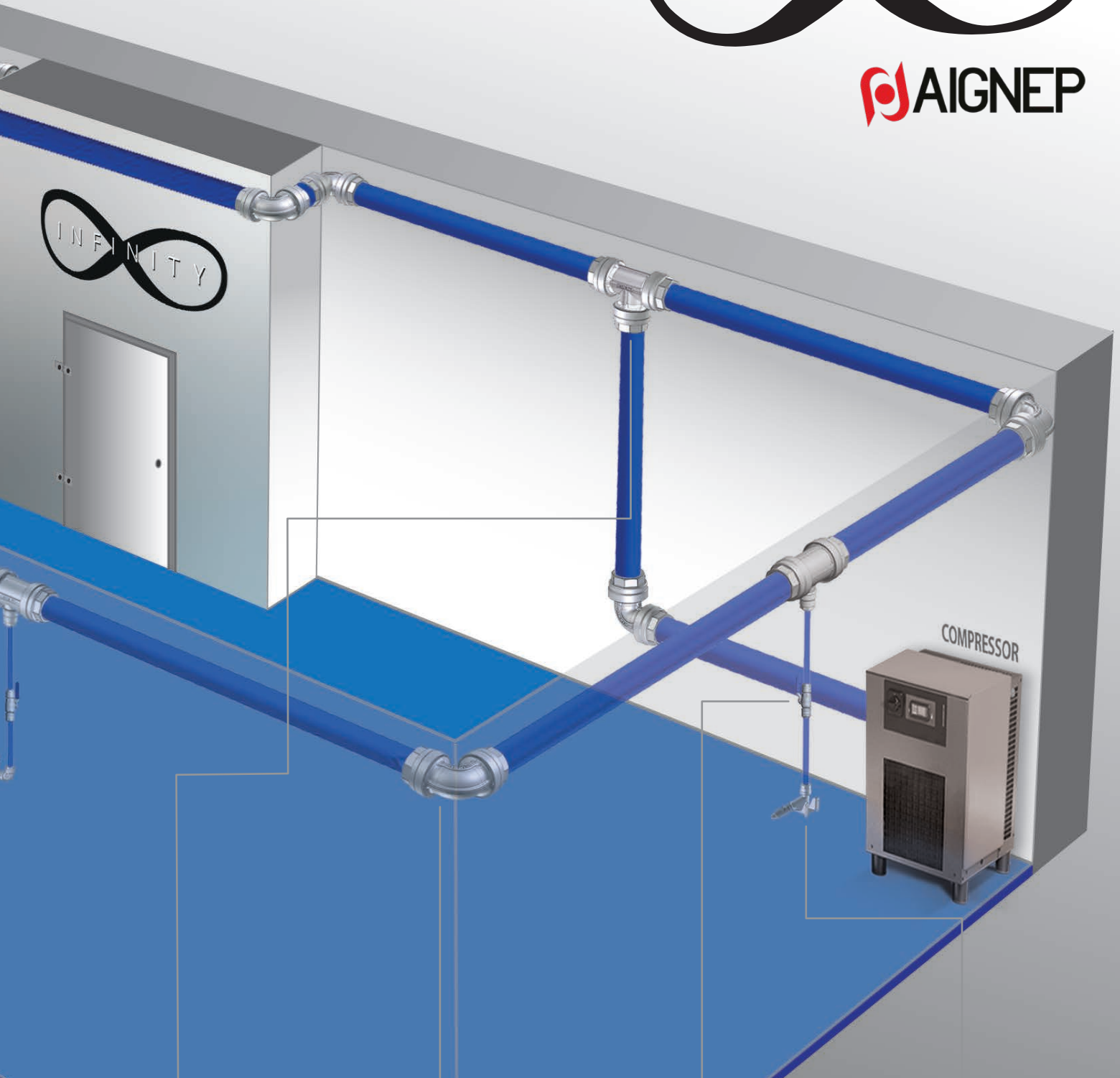


Infinity® has a 20 years warranty.



INFINITY

AIGNEP





TECHNICAL CHARACTERISTICS



Reference Standard

1907/2006
REACH ✓

2011/65/CE
RoHS ✓

PED
2014/68/UE

SILICON
FREE



Component Parts and Materials

- 1 Nickel-Plated Brass Nut
- 2 (NBR or Nitrile Rubber) Double-Lipped Seal
- 3 304 AISI Stainless Steel (Bite-Ring or Clamping Washer)
- 4 (NBR / Nitrile Rubber) O-Ring Seal
- 5 Technopolymer Guide-Collar
- 6 Nickel-Plated Brass Body
- 7 6060-T6 Extruded Aluminum Powder Coated Tube
- 8 Aluminum Fittings Options in 50 & 63 mm



Temperatures Rating

-4° F ~ 176° F
-20° C ~ 80° C



Fluids

- Compressed air
- Vacuum
- Inert Gases - i.g. Nitrogen & Argon



Threads

- Male and Female NPT threads conform with ANSI/ASME standard B1.20.1



Assembly

Ø 20 - Ø 25 - Ø 32 - Ø 40

Fittings of Ø 20 - Ø 25 - Ø 32 - Ø 40 are supplied assembled and pre torqued.

- 1 Inspect and deburr tube.
- 2 Insert tube into fitting and firmly push in to seat at bottom of fitting.
- 3 In case of fitting disassembling, use the torque specifications in the chart below to re-assemble the fitting.

1



2



3

Ø mm	Torque specifications
20	3 Nm (26 In - lbs)
25	3 Nm (26 In - lbs)
32	4 Nm (35 In - lbs)
40	6.5 Nm (58 In - lbs)

Assembly

Ø 50 - Ø 63

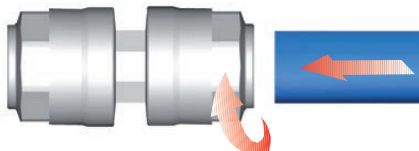
Fittings of Ø 50 - Ø 63 are supplied pre-assembled with nut loosened for ease of insertion.

- 1 Inspect and deburr tube.
- 2 Insert tube into fitting, firmly push in to seat at bottom of fitting.
- 3 Tighten nut onto fitting following the torque specifications in the chart.

1

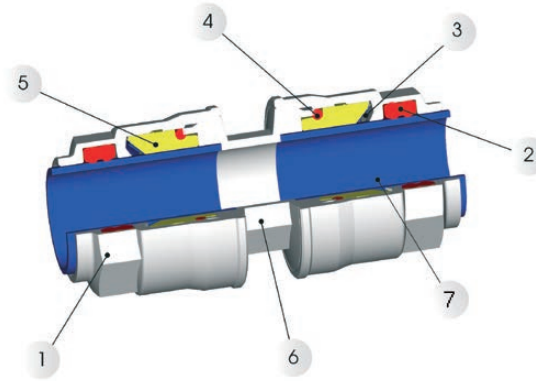


2



3

Ø mm	Torque specifications
50	45 Nm (33 ft - lbs)
63	85 Nm (63 ft - lbs)



PUSH IN:
Ø 20 mm
Ø 25 mm
Ø 32 mm
Ø 40 mm
Ø 50 mm
Ø 63 mm



Pressure Rating

Vacuum ~ 232 PSI
-0.99 bar ~ 20 bar
-0.099 MPa ~ 2.0 MPa

Technical characteristics to the tubes	
Extruded aluminium	UNI 9006/1 Al Mg 0.5 Si 0.4 Fe 0.2
Designations UNI EN 573-3	EN AW 6060 T6
Surface treatment	Electrostatic painting
Specific weight	2.70 Kg/dm ³
Expansion coefficient	0.024 mm/(m °C)



TECHNICAL CHARACTERISTICS



Reference Standard

1907/2006
REACH ✓

2011/65/CE
RoHS ✓

PED
2014/68/UE

**SILICON
FREE**



Component Parts and Materials

- 1 Nut made in aluminium with finished surface treatment
- 2 O-RING Seal made in NBR
- 3 Body made in aluminium with finished surface treatment
- 4 Safety Ring made in Technopolymeric
- 5 Clamping Washer made in AISI 301
- 6 Tube-guide Ring made in technopolymeric
- 7 Selflocking Nut in Zinc-Plated Steel
- 8 TCEI Screw in Zinc-Plated Steel
- 9 Extruded Alluminium tube calibrated and powder coated



Temperatures Rating

-4° F ~ 176° F
-20° C ~ 80° C



Fluids

- Compressed air
- Vacuum
- Inert Gases - i.g. Nitrogen & Argon



Threads

- Male and Female NPT threads conform with ANSI/ASME standard B1.20.1

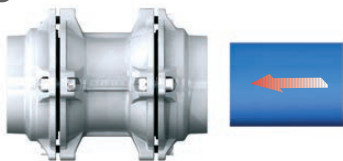


Assembly

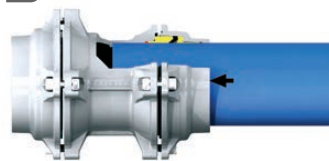
Fittings of $\varnothing 80$ - $\varnothing 110$ - $\varnothing 168$ are supplied pre-assembled with 4-6 nuts and bolts, loosened for ease of insertion.

- 1 Inspect and deburr tube.
- 2 Insert tube into fitting, firmly push in to seat at bottom of fitting.
- 3 Tighten nuts and bolts following the torque specifications and sequence in the chart and diagram below.

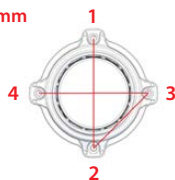
1



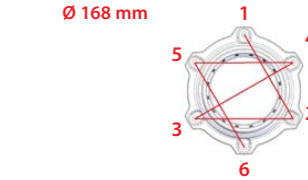
2



$\varnothing 80$ mm - $\varnothing 110$ mm



$\varnothing 168$ mm



Pressure Rating

Vacuum ~ 232 PSI
-0.99 bar ~ 16 bar
-0.099 MPa ~ 1.6 MPa

Technical characteristics to the tubes

Extruded aluminium	UNI 9006/1 Al Mg 0.5 Si 0.4 Fe 0.2
Designations UNI EN 573-3	EN AW 6060 T6
Surface treatment	Electrostatic painting
Specific weight	2.70 Kg/dm ³
Expansion coefficient	0.024 mm/(m °C)

$\varnothing 80$ - $\varnothing 110$ - $\varnothing 168$

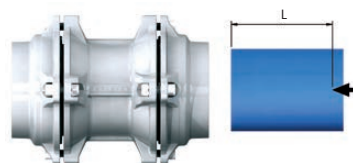
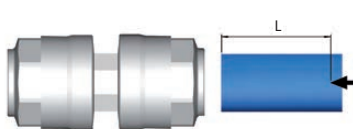
Torque specifications

\varnothing mm	Torque specifications
80	30 Nm (22 ft - lbs)
110	30 Nm (22 ft - lbs)
168	60 Nm (44 ft - lbs)



Tube connection

Tube Insertion Depths.



$\varnothing 20$ - $\varnothing 25$ - $\varnothing 32$ - $\varnothing 40$ - $\varnothing 50$ - $\varnothing 63$ - $\varnothing 80$ - $\varnothing 110$ - $\varnothing 168$

\varnothing mm	L mm
20	31.5
25	38.5
32	46
40	52
50	63.5
63	57.5
80	91
110	125.5
168	193



Tube diameter for the outlets

Specifications about available tube diameters for the outlets:

- Ø 20 with flow rate till 2000 NI/min
- Ø 25 with flow rate till 3500 NI/min
- Ø 32 with flow rate till 7000 NI/min



Chose the diameter four the installation

The Diagram allows to determinate the diameter of the main line.

- 1 Choose the Flow rate of compressor in the Red column.
- 2 Choose the Distance between compressor and the most distant using point in the 1° column.
- 3 Cross the lines of Flow rate and blue column of Distance to choose the diameter.

Flow Rate			Distance between compressor and the most distant using point										
NI/min	Nm3/h	cfm	25 m 82 ft	50 m 164 ft	100 m 328 ft	150m 492 ft	200 m 656 ft	300 m 984 ft	400 m 1312 ft	500 m 1640 ft	1000 m 3280 ft	1500 m 4921 ft	2000 m 6562 ft
230	14	8	14	14	14	14	20	20	20	20	20	25	25
650	39	23	14	20	20	20	25	25	25	25	32	32	40
900	54	32	20	20	25	25	25	32	32	32	40	40	40
1200	72	42	20	20	25	25	32	32	32	32	40	40	50
1750	105	62	20	25	32	32	32	40	40	40	50	50	50
2000	120	71	25	25	32	32	32	40	40	40	50	50	50
2500	150	88	25	32	32	32	40	40	40	50	50	63	63
3000	180	106	25	32	32	40	40	40	50	50	50	63	63
3500	210	124	25	32	40	40	40	50	50	50	63	63	63
4500	270	159	32	32	40	40	50	50	50	50	63	63	80
6000	360	212	32	40	50	50	50	50	63	63	80	80	80
7000	420	247	32	40	50	50	50	63	63	63	80	80	80
8500	510	300	40	40	50	50	63	63	63	63	80	80	110
12000	720	424	40	50	63	63	63	80	80	80	110	110	110
15000	900	530	50	50	63	63	80	80	80	80	110	110	110
18000	1080	636	50	63	63	80	80	80	80	110	110	110	168
21000	1260	742	50	63	63	80	80	80	110	110	110	168	168
26000	1560	918	63	63	80	80	80	110	110	110	168	168	168
31000	1860	1095	63	63	80	80	110	110	110	110	168	168	168
33000	1980	1165	63	80	80	110	110	110	110	110	168	168	168
44000	2640	1554	63	80	110	110	110	110	168	168	168	168	168
50000	3000	1766	80	80	110	110	110	168	168	168	168	168	168
58000	3480	2048	80	80	110	110	110	168	168	168	168	168	*168
67000	4020	2366	80	110	110	110	168	168	168	168	168	*168	*168
75000	4500	2648	80	110	110	168	168	168	168	168	168	*168	*168
83000	4980	2931	80	110	110	168	168	168	168	168	*168	*168	*168
92000	5520	3249	110	110	168	168	168	168	168	168	*168	*168	*168
100000	6000	3531	110	110	168	168	168	168	168	*168	*168	*168	*168

* Pressure 7 bar - Total pressure drop 5%

* Pressure drop is higher than 5%



Example

- Flow rate: 3000 NI/min
- Distance between compressor and most distant using point: 300 m
- Tube diameter: 40 mm



Infinity flow rate

- 1 Flow rates are based on a 1 psi pressure drop per 100 ft run of pipe and couplings in a "linear system".
- 2 For loop system, flow rates can be doubled.

TUBE OD	SCFM @ 75 PSI	SCFM @ 100 PSI	SCFM @ 125 PSI	SCFM @ 150 PSI	SCFM @ 175 PSI	SCFM @ 220 PSI
14 mm	7.5	9	10	11	12	14
20 mm	20	24	27	30	33	37
25 mm	38	44	50	56	61	69
32 mm	75	88	100	111	121	137
40 mm	140	164	186	206	225	255
50 mm	260	305	346	383	418	475
63 mm	494	581	658	729	795	904
80 mm	960	1128	1279	1417	1545	1756
110 mm	2328	2736	3101	3435	3745	4259
168 mm	7562	8887	10072	11157	12165	13831

* Flow charts are atmospheric condition 1013 bar. At 20 °C (68 °F)



Example

- Run of pipe: 100 Ft
- Pipe: 63
- Pressure: 100 PSI
- Flow: 581 CFM
- Pressure drop: 1 PSI
- Loop system (flows): 1162 CFM

AIGNEP SERVICES



INFINITY AIR PLANNER

The Infinity Air Planner is an easy-to-use drawing program focused on creating simple air pipeline layouts and viewing them in 3D, without advanced CAD features.

The software enables users to design air pipelines from scratch using an intuitive, step-by-step approach. Users can easily add or remove pipes and fittings to design the main ring, branches or drops. At this point the system is able to automatically generate a list of materials with the respective dimensions, maps and even prices. It is possible to duplicate the project or simulate the same with larger or smaller diameters.

The Infinity Air Planner is available online after quick registration at www.aignep.com



BIM (BUILDING INFORMATION MODELING)

BIM is available for INFINITY .

BIM is a digital 3D model of a building that also contains data about INFINITY pipes and fittings, their materials, dimensions, costs, schedules, and performance—used across design, construction, and operation.

The system may better coordinate architects, engineers, and contractors that are working from one shared model. It's easy to detect problems before construction and it's easier to plan and schedule an accurate bill of materials. Every change will be automatically updated across the model.

Infinity full BIM library is available on line at www.aignep.com



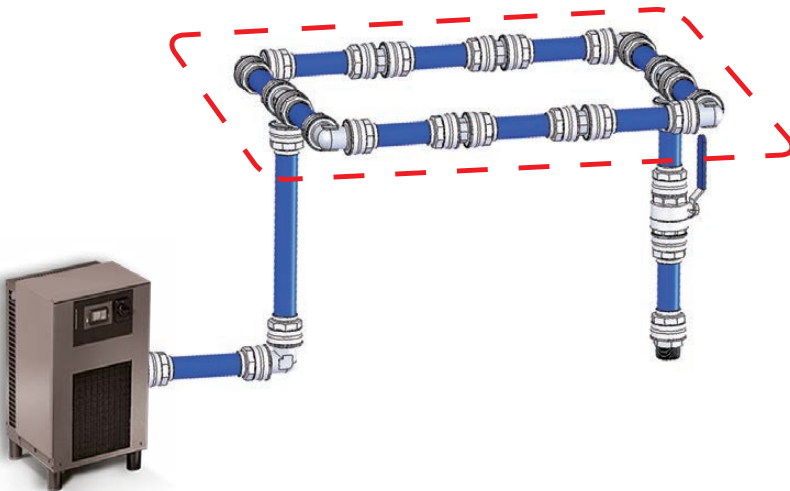


Indicative flow rates of the compressors to 7 bar

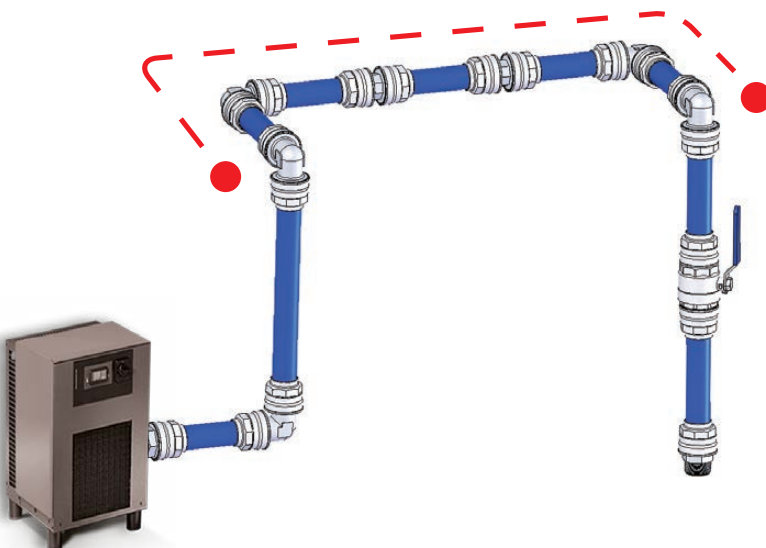


KW	CV	cfm
1.5	2	8
3	4	16
4	6	23
5.5	7.5	32
7.5	10	42
11	15	62
12.5	17	71
15	20	88
18	25	106
22	30	124
29	40	159
37	50	212
45	60	247
55	75	300
74	100	424
92	125	530
110	150	636
132	180	742
170	230	918
200	270	1095
250	340	1554

Distance between compressor and the most distant using point



LOOP SYSTEM



LINEAR SYSTEM



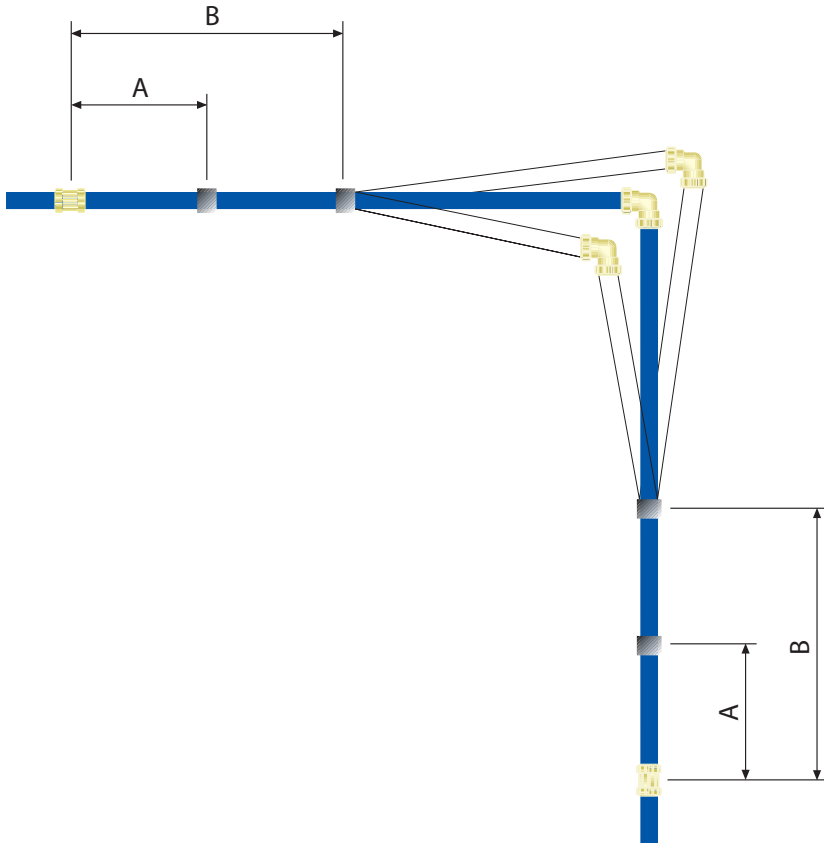
Expansion and shrinkage due to the heat

To calculate the linear expansion - shrinkage we can use the following formula:

$$\Delta L = \Delta T \times L \times \alpha \text{ i.e.:$$

- ΔL = Linear expansion - shrinkage in mm
- ΔT = Heat variation between the operating temperature and the installation one at °C
- L = Tube length in m
- α = Linear expansion factor, for the aluminium it is 0.024 mm/m °C

The installation have to be positioned, considering at the two ends free space which permits the expansion - shrinkage and supports have to be fixed as showed in the picture:



CALIBRATED ALUMINIUM TUBES - 3 / 4 METERS

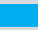
COLORS


LB LIGHT BLUE

90000 - 3 m (10 ft)

CALIBRATED ALUMINIUM TUBES LIGHT BLUE COLOUR

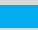


Code	Item	Ø	Color	Wall Thickness	Max Pressures	Weight		Lenght	Pack.
		mm		mm	bar	g/m	lbs/m	m	
90000 3 020 AZ	90000LB-3-20	20	LB	1.5	16	235	.518	3 m	8
90000 3 025 AZ	90000LB-3-25	25	LB	1.5	16	298	.657	3 m	8
90000 3 032 AZ	90000LB-3-32	32	LB	1.5	16	387	.853	3 m	9
90000 3 040 AZ	90000LB-3-40	40	LB	1.5	16	490	1.080	3 m	9
90000 3 050 AZ	90000LB-3-50	50	LB	2	16	814	1.795	3 m	4
90000 3 063 AZ	90000LB-3-63	63	LB	2	16	1034	2.280	3 m	4

90000 - 4 m

CALIBRATED ALUMINIUM TUBES LIGHT BLUE COLOUR



Code	Item	Ø	Color	Wall Thickness	Max Pressures	Weight		Lenght	Pack.
		mm		mm	bar	g/m	lbs/m	m	
90000 00 11 Y9 AZ	90000LB-4-20	20	LB	1.5	16	235	.518	4 m	8
90000 00 11 J4 AZ	90000LB-4-25	25	LB	1.5	16	298	.657	4 m	8
90000 00 11 J9 AZ	90000LB-4-32	32	LB	1.5	16	387	.853	4 m	9
90000 00 11 K4 AZ	90000LB-4-40	40	LB	1.5	16	490	1.080	4 m	9
90000 00 11 W0 AZ	90000LB-4-50	50	LB	2	16	814	1.795	4 m	4
90000 00 11 W3 AZ	90000LB-4-63	63	LB	2	16	1034	2.280	4 m	4

CALIBRATED ALUMINIUM TUBES - 6 METERS

COLORS


LB

 LIGHT
BLUE

GR

GREY


VE

GREEN


BL

BLACK

90000 - 6 m

CALIBRATED ALUMINIUM TUBES LIGHT BLUE COLOUR

New


Code	Item	Ø mm	Color	Wall Thickness mm	Max Pressures bar	Weight		Lenght m	Pack.
						g/m	lbs/m		
90000 6 020 AZ	90000LB-6-20	20	LB	1.5	16	235	.518	5.95 m	8
90000 6 025 AZ	90000LB-6-25	25	LB	1.5	16	298	.657	5.95 m	8
90000 6 032 AZ	90000LB-6-32	32	LB	1.5	16	387	.853	5.95 m	9
90000 6 040 AZ	90000LB-6-40	40	LB	1.5	16	490	1.080	5.95 m	4
90000 6 050 AZ	90000LB-6-50	50	LB	2	16	814	1.795	5.95 m	4
90000 6 063 AZ	90000LB-6-63	63	LB	2	16	1034	2.280	5.95 m	2
90000 6 080 AZ	90000LB-6-80	80	LB	2	16	1283	2.829	5.95 m	2
90000 6 110 AZ	90000LB-6-110	110	LB	2.5	16	2280	5.027	5.95 m	1
90000 6 168 AZ	90000LB-6-168	168	LB	4	16	5700	12.566	5.95 m	1
90000 6 220 AZ *	90000LB-6-220	220	LB	6	16	7470	16.469	5.95 m	1
90000 6 273 AZ *	90000LB-6-273	273	LB	6	16	9148	20.168	5.95 m	1

* Upon Request

90000 - 6 m

CALIBRATED ALUMINIUM TUBES GREY COLOUR

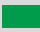


Code	Item	Ø mm	Color	Wall Thickness mm	Max Pressures bar	Weight		Lenght m	Pack.
						g/m	lbs/m		
90000 6 020 GR	90000GY-6-20	20	GR	1.5	16	235	.518	5.95 m	8
90000 6 025 GR	90000GY-6-25	25	GR	1.5	16	298	.657	5.95 m	8
90000 6 032 GR	90000GY-6-32	32	GR	1.5	16	387	.853	5.95 m	9
90000 6 040 GR	90000GY-6-40	40	GR	1.5	16	490	1.080	5.95 m	4
90000 6 050 GR	90000GY-6-50	50	GR	2	16	814	1.795	5.95 m	4
90000 6 063 GR	90000GY-6-63	63	GR	2	16	1034	2.280	5.95 m	2
90000 6 080 GR	90000GY-6-80	80	GR	2	16	1283	2.829	5.95 m	2
90000 6 110 GR	90000GY-6-110	110	GR	2.5	16	2280	5.027	5.95 m	1
90000 6 168 GR	90000GY-6-168	168	GR	4	16	5700	12.566	5.95 m	1

90000 - 6 m

CALIBRATED ALUMINIUM TUBES GREEN COLOUR




Code	Item	Ø	Color	Wall Thickness	Max Pressures	Weight		Lenght	Pack.
		mm		mm	bar	g/m	lbs/m	m	
90000 6 020 VE	90000GN-6-20	20	VE	1.5	16	235	.518	5.95 m	8
90000 6 025 VE	90000GN-6-25	25	VE	1.5	16	298	.657	5.95 m	8
90000 6 032 VE	90000GN-6-32	32	VE	1.5	16	387	.853	5.95 m	9
90000 6 040 VE	90000GN-6-40	40	VE	1.5	16	490	1.080	5.95 m	4
90000 6 050 VE	90000GN-6-50	50	VE	2	16	814	1.795	5.95 m	4
90000 6 063 VE	90000GN-6-63	63	VE	2	16	1034	2.280	5.95 m	2

90000 - 6 m

CALIBRATED ALUMINIUM TUBES BLACK COLOUR



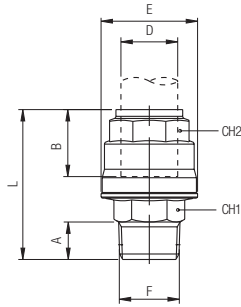
Code	Item	Ø	Color	Wall Thickness	Max Pressures	Weight		Lenght	Pack.
		mm		mm	bar	g/m	lbs/m	m	
90000 6 020 NE	90000BK-6-20	20	BL	1.5	16	235	.518	5.95 m	8
90000 6 025 NE	90000BK-6-25	25	BL	1.5	16	298	.657	5.95 m	8
90000 6 032 NE	90000BK-6-32	32	BL	1.5	16	387	.853	5.95 m	9
90000 6 040 NE	90000BK-6-40	40	BL	1.5	16	490	1.080	5.95 m	4
90000 6 050 NE	90000BK-6-50	50	BL	2	16	814	1.795	5.95 m	4
90000 6 063 NE	90000BK-6-63	63	BL	2	16	1034	2.280	5.95 m	2
90000 6 080 NE	90000BK-6-80	80	BL	2	16	1283	2.829	5.95 m	2
90000 6 110 NE	90000BK-6-110	110	BL	2.5	16	2280	5.027	5.95 m	1
90000 6 168 NE	90000BK-6-168	168	BL	4	16	5700	12.566	5.95 m	1

PUSH-IN FITTINGS FOR INSTALLATION OF COMPRESSED-AIR PIPELINES

90010

STRAIGHT MALE ADAPTOR

New

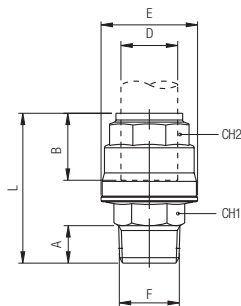


Code	Item	D	F	A	B	E	L	CH1	CH2	Pack.
90010 00 001	90010-20-1/2	20	1/2	14	31.5	34.5	56	22	30	5
90010 00 009	90010-20-3/4	20	3/4	16.5	31.5	34.5	61	22	30	5
90010 00 011	90010-25-1/2	25	1/2	14	38.5	42.5	65	27	35	5
90010 00 002	90010-25-3/4	25	3/4	16.5	38.5	42.5	66	27	35	5
90010 00 010	90010-25-1	25	1"	19	38.5	42.5	70.5	27	35	5
90010 00 003	90010-32-1	32	1"	19	46	52	76.5	34	45	2
90010 00 013	90010-40-1	40	1"	19	52	63	86.5	45	55	2
90010 00 004	90010-40-1 1/4	40	1 1/4	21.5	52	63	89.5	45	55	2
90010 00 007	90010-40-1 1/2	40	1 1/2	21.5	52	63	92	50	55	2
*90010 00 014	90010-50-1	50	1"	19	63.5	73	102.5	60	65	2
Aluminium										
90010 00 014 A	90010A-50-1	50	1"	19	58.5	84	110.5	50	68	2
90010 00 005 A	90010A-50-1 1/2	50	1 1/2	21.5	58.5	84	112.5	50	68	2
90010 00 012 A	90010A-50-2	50	2"	24	58.5	84	115.5	50	68	2
90010 00 006 A	90010A-63-2	63	2"	24	57.5	94	109.5	65	75	2
90010 00 008 A	90010A-63-2 1/2	63	2 1/2	24	57.5	94	106.5	75	75	2

90011

STRAIGHT MALE ADAPTOR

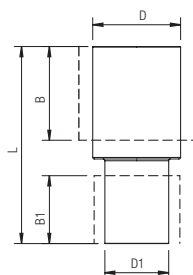
NPTF



Code	Item	D	F (NPTF)	A	B	E	L	CH1	CH2	Pack.
90011 00 001	90011-20-08	20	1/2	14	31.5	34.5	56	22	30	5
90011 00 009	90011-20-12	20	3/4	17.5	31.5	34.5	62.5	22	30	5
90011 00 002	90011-25-12	25	3/4	16.5	38.5	42.5	66	27	35	5
90011 00 010	90011-25-16	25	1"	21.5	42.5	42.5	72	27	35	2
90011 00 003	90011-32-16	32	1"	19	46	52	76.5	34	45	2
90011 00 004	90011-40-24	40	1 1/2	21.5	52	63	89.5	45	55	2
90011 00 005	90011-50-24	50	1 1/2	21.5	63.5	73	105	50	65	2
90011 00 012	90011-50-32	50	2"	24	63.5	105	111	60	65	2
90011 00 006	90011-63-32	63	2"	24	59	92	107.5	65	70	2
Aluminium										
90011 00 005 A	90011A-50-24	50	1 1/2	22.5	58.5	84	115	50	68	2
90011 00 012 A	90011A-50-32	50	2"	23.5	58.5	84	116	50	68	2
90011 00 006 A	90011A-63-32	63	2"	23.5	57.5	94	109.5	65	75	2
90011 00 008 A	90011A-63-40	63	2 1/2	35	57.5	94	120.5	75	75	2

90012

TUBE-TUBE REDUCER

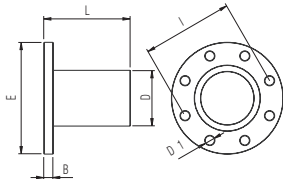


Code	Item	D	D1	B	B1	L	Pack.
90012 00 003	90012-80-50	80	50	91	63.5	167	1
90012 00 001	90012-80-63	80	63	91	57.5	168	1
90012 00 002	90012-110-80	110	80	125.5	91	247	1
90012 00 004	90012-168-110	168	110	194	125.5	384	1

90014

FLANGED ADAPTER

ANSI 150-LB

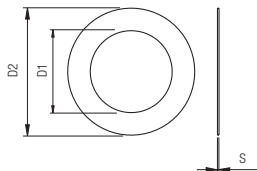


Code	Item	D	B	C	E	F	L	D1	I	Pack.
90014 00 001	90014-80	80	25	20	190.5	130	131	19	152.4	1
90014 00 002	90014-110	110	25	20	228.6	158	166	19	190.5	1
90014 00 003	90014-168	168	27	22	279.5	216	266	22	241.5	1

The connection dimensions of the flange are designed in conformity with standard ANSI 150-LB (Flange made in aluminium alloy).

90017

FLAT GASKET FOR FLANGE



Code	Item	Tube	D1	D2	S	Pack.
90017 00 57 TP 00	90017-80	80	89	131	2	1
90017 00 57 HT 00	90017-110	110	115	162	2	1
90017 00 57 ZW 00	90017-168	168	169	220	2	1

90019

FLANGE KIT



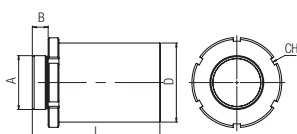
Code	Item	Thread	Tube	Size	Pack.
90019 00 001	90019-M16	M16	80 - 110	70 mm	1
90019 00 002	90019-M20	M20	168	80 mm	1

Kit: 8 screw + 8 nut + 16 washer

90021

TUBE-MALE REDUCER

NPTF



Code	Item	D	A	B	L	CH*	Pack.
90021 00 003	90021-80-40	80	2"-1/2	22	143	100	1
90021 00 004	90021-80-48	80	3"	23	144	100	1
90021 00 001	90021-110-40	110	2"-1/2	22	178	125	1
90021 00 002	90021-110-48	110	3"	23	179	125	1
90021 00 005	90021-110-64	110	4"	39	195	125	1

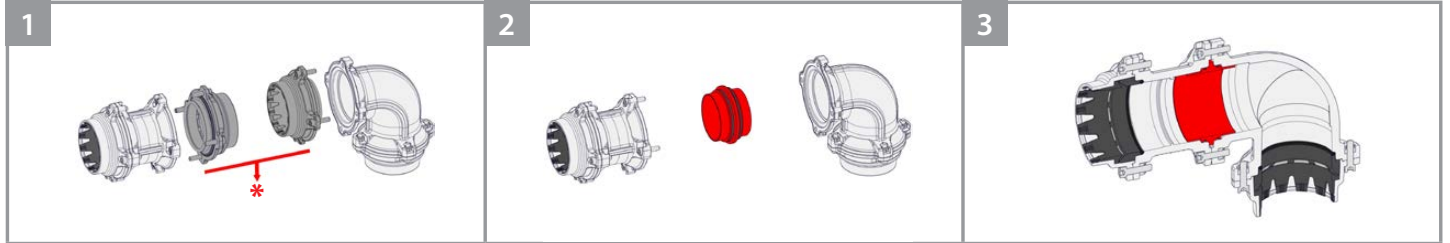
*Hook wrench dimensions

90022

STRAIGHT CONNECTOR JOINT

Code	Item	Ø	Pack.
90022 00 001	90022-80	80	1
90022 00 002	90022-110	110	1

* Disassembled nuts are not used for the following application



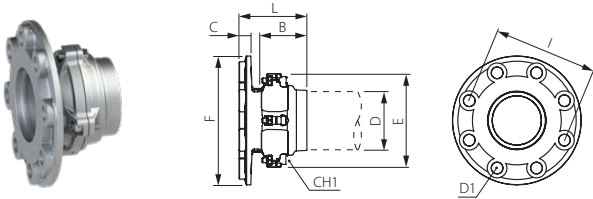
90024

New ANSI 150-LB

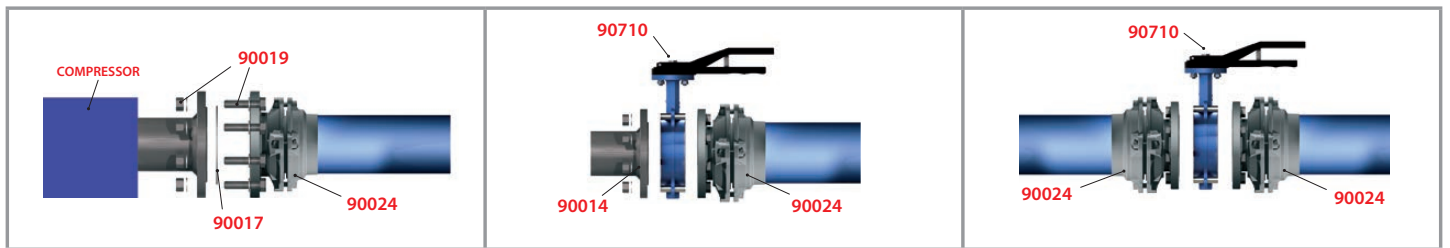
FLANGED STRAIGHT MALE ADAPTOR

Code	Item	D	B	C	E	F	L	D1	I	CH1	Pack.
90024 00 007	90024-80	80	91	3.5	190	200	105.2	19	152.4	6	1
90024 00 008	90024-110	110	125.5	4	228.6	220	147.5	19	190.5	8	1
90024 00 009	90024-168	168	194	22	306	285	246	22	241.5	10	1

The connection dimensions of the flange are designed in conformity with standard ANSI 150-LB (Flange made in aluminium alloy).



APPLICATIONS EXAMPLE 90024

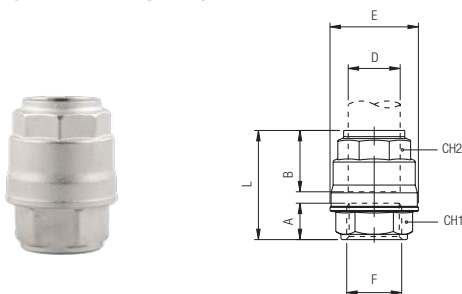


90031

NPTF

STRAIGHT FEMALE ADAPTOR

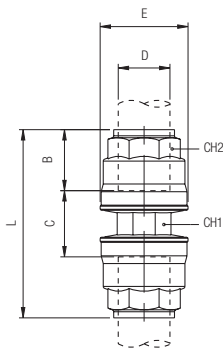
Code	Item	D	F	A	B	E	L	CH1	CH2	Pack.
90031 00 001	90031-20-08	20	1/2	15	31.5	34.5	49	24	30	5
90031 00 002	90031-25-12	25	3/4	16.5	38.5	42.5	56.5	32	35	5
90031 00 003	90031-32-16	32	1"	19	46	52	66.5	38	45	2
90031 00 004	90031-40-20	40	1 1/4"	22	52	63	76	50	55	2



90040

STRAIGHT UNION CONNECTOR

New

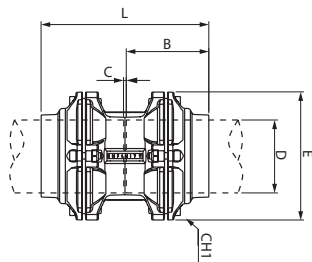


Code	Item	D	B	C	E	L	CH1	CH2	Pack.
90040 00 001	90040-20	20	31.5	14.5	34.5	76.5	21	30	2
90040 00 002	90040-25	25	38.5	13.5	42.5	90.5	26	35	2
90040 00 003	90040-32	32	46	14.5	52	106.5	32	45	2
90040 00 004	90040-40	40	52	21	63	125	41	55	2
90040 00 005	90040-50	50	63.5	21.5	73	148.5	50	65	2
90040 00 006	90040-63	63	59	25	92	160	65	70	1
Aluminium									
90040 00 005 A	90040A-40	40	52	42	69	144.5	48	55	2
90040 00 005 A	90040A-50	50	58.5	59	84	175	59	68	2
90040 00 006 A	90040A-63	63	57.5	44	94	159	73	75	1

90040 Ø 80-110-168

STRAIGHT UNION CONNECTOR

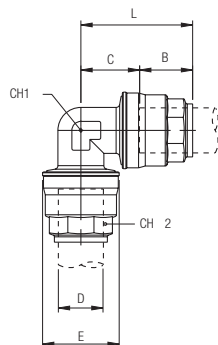
Code	Item	D	B	C	E	L	CH1	Pack.
90040 00 007	90040-80	80	91	3.5	145	186	6	2
90040 00 008	90040-110	110	125.5	4	200	255	8	1
90040 00 009	90040-168	168	194	5	306	393	10	1



90130

ELBOW CONNECTOR

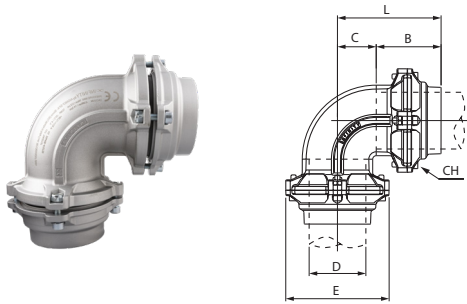
New



Code	Item	D	B	C	E	L	CH1	CH2	Pack.
90130 00 001	90130-20	20	31.5	19	34.5	51	21	30	4
90130 00 002	90130-25	25	38.5	23	42.5	61.5	26	35	4
90130 00 003	90130-32	32	46	28	52	74.5	34	45	2
90130 00 004	90130-40	40	52	34	63	86.5	41	55	2
90130 00 005	90130-50	50	63.5	40.5	73	104	50	65	2
90130 00 006	90130-63	63	59	52	92	111	65	70	1
Aluminium									
90130 00 004 A	90130A-40	40	52	51.5	69	102.5	48	55	2
90130 00 005 A	90130A-50	50	58.5	63	84	121.5	59	68	2
90130 00 006 A	90130A-63	63	57.5	55.5	94	113	73	75	1

90130 Ø 80-110-168

ELBOW CONNECTOR

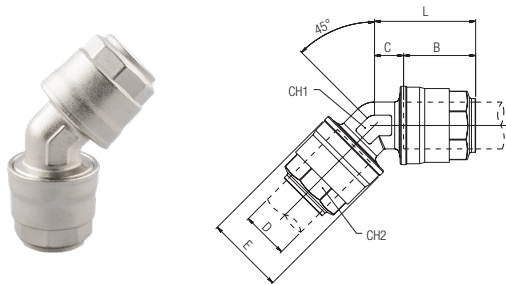


Code	Item	D	B	C	E	L	CH	Pack.
90130 00 007	90130-80	80	91	54.5	145	146	6	2
90130 00 008	90130-110	110	125.5	75	200	200.5	8	1
90130 00 009	90130-168	168	194	117.5	306	311.5	10	1

90140

45 DEG ELBOW CONNECTOR

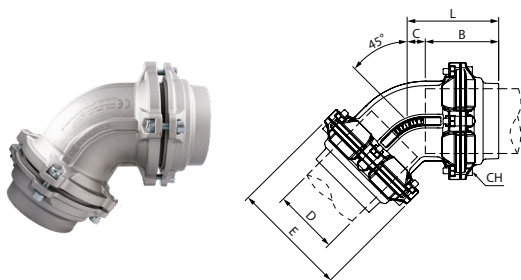
New



Code	Item	D	B	C	E	L	CH1	CH2	Pack.
90140 00 001	90140-20	20	31.5	12.5	34.5	44	21	30	4
90140 00 002	90140-25	25	38.5	13.5	42.5	52	26	35	4
90140 00 003	90140-32	32	46	15	52	61	34	45	2
90140 00 004	90140-40	40	52	18	63	70	41	55	1
90140 00 005	90140-50	50	63.5	20	73	83.5	50	65	2
90140 00 006	90140-63	63	59	24	92	83	65	70	1
Aluminium									
90140 00 004 A	90140A-40	40	52	23	69	74	48	55	2
90140 00 005 A	90140A-50	50	58.5	35.5	84	94	59	68	2
90140 00 006 A	90140A-63	63	57.5	24	94	82	73	75	1

90140 Ø 80-110

45 DEG ELBOW CONNECTOR



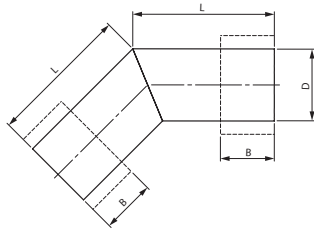
Code	Item	D	B	C	E	L	CH	Pack.
90140 00 007	90140-80	80	91	22.5	145	114	6	2
90140 00 008	90140-110	110	125.5	31	200	156.5	8	1

90140

TUBE - TUBE 135° CONNECTOR

New

Code	Item	D	B	L	Pack.
90140 00 009	90140-168	168	194	330	1

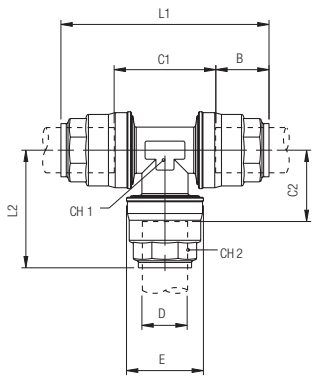


90230

TEE CONNECTOR

New

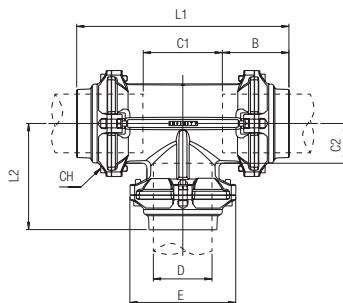
Code	Item	D	E	B	C1	C2	L1	L2	CH1	CH2	Pack.
90230 00 001	90230-20	20	34.5	31.5	34.5	22.5	98	54.5	21	30	3
90230 00 002	90230-25	25	42.5	38.5	37.5	26	113.5	65	26	35	3
90230 00 003	90230-32	32	52	46	46.5	31.5	138.5	77	34	45	2
90230 00 004	90230-40	40	63	52	55.5	38	159.5	90	41	55	1
90230 00 005	90230-50	50	73	63.5	69	44.5	196	108	50	65	1
90230 00 006	90230-63	63	92	59	87	55.5	205.5	114.5	65	70	1
Aluminium											
90230 00 004 A	90230A-40	40	69	52	102.5	51.5	205	102.5	48	55	1
90230 00 005 A	90230A-50	50	84	58.5	126	79	243	122	40.5	68	1
90230 00 006 A	90230A-63	63	94	57.5	111	55.5	226	113	73	75	1



90230 Ø 80-110-168

TEE CONNECTOR

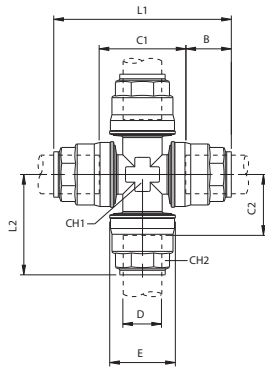
Code	Item	D	E	B	C1	C2	L1	L2	CH	Pack.
90230 00 007	90230-80	80	145	91	109	54.5	291.5	138	6	1
90230 00 008	90230-110	110	200	125.5	150.5	75	401	200.5	8	1
90230 00 009	90230-168	168	306	194	235	117.5	623	311.5	10	1



90300

INTERMEDIATE CROSS FITTING

Code	Item	D	E	B	C1	C2	L1	L2	CH1	CH2	Pack.
90300 00 001	90300-20	20	34.5	31.5	34.5	22.5	98	54.5	21	30	3
90300 00 002	90300-25	25	42.5	38.5	37.5	26	113.5	65	26	35	3
90300 00 003	90300-32	32	52	46	46.5	31.5	138.5	77	34	45	2

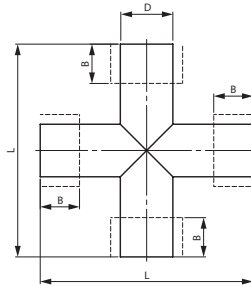


90300

TUBE - TUBE INTERMEDIATE CROSS FITTING

New

Code	Item	D	B	L	Pack.
Aluminium					
90300 00 004	90300-40	40	52	225	1
90300 00 005	90300-50	50	58.5	255	1
90300 00 006	90300-63	63	57.5	255	1
90300 00 007	90300-80	80	91	350	1
90300 00 008	90300-110	110	125.5	470	1
90300 00 009	90300-168	168	194	680	1

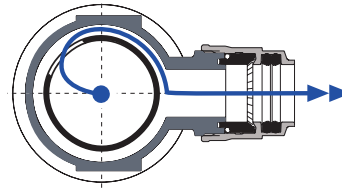
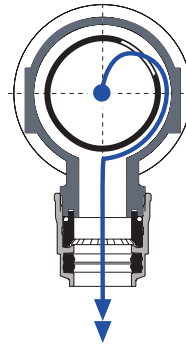
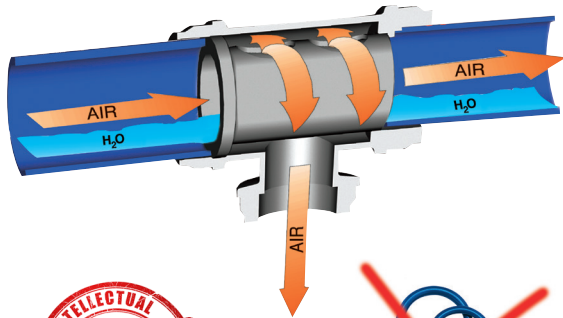




Function (90235-90237)

This fitting is a valid alternative to the traditional swan-neck; it shows itself as a quicker and cost effective solution.

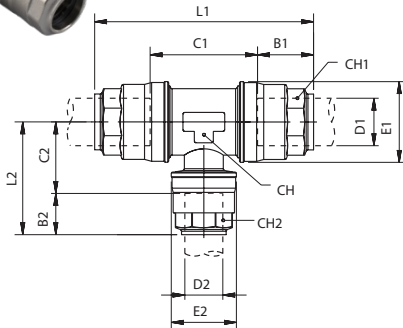
The efficient internal system allows to the air to reach the usage points without any condense which stays within the main circuit and than it can be drained in the most convenient point.



90235

OUTLET REDUCING TEE

New



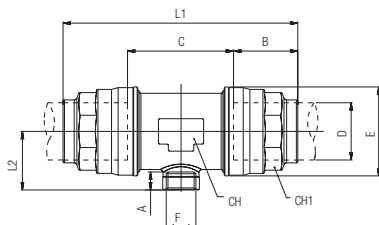
Code	Item	D1	D2	B1	B2	C1	C2	E1	E2	L1	L2	CH	CH1	CH2	Pack.
90235 00 013	90235-20-20	20	20	31.5	31.5	48	22.5	34.5	34.5	109	54	28	30	30	3
90235 00 001	90235-25-20	25	20	38.5	31.5	45.5	27.5	42.5	34.5	121.5	59	35	35	30	3
90235 00 002	90235-32-20	32	20	46	31.5	54.5	31.5	52	34.5	146.5	63	45	45	30	2
90235 00 003	90235-32-25	32	25	46	38	54.5	31.5	52	42.5	146.5	70	45	45	35	2
90235 00 004	90235-40-20	40	20	52.5	31.5	60	34.5	63	34.5	165.5	66	55	55	30	1
90235 00 005	90235-40-25	40	25	52.5	38	60	34.5	63	42.5	165.5	73	55	55	35	1
90235 00 007	90235-50-20	50	20	63.5	31.5	73.5	41.5	73	34.5	201	73	65	65	30	1
90235 00 008	90235-50-25	50	25	63.5	38.5	73.5	41	73	42.5	201	80	65	65	35	1
90235 00 009	90235-50-32	50	32	63.5	46	73.5	41	73	52	201	87.5	65	65	45	1
90235 00 010	90235-63-20	63	20	59	31.5	86	49	92	34.5	237.5	81	80	70	30	1
90235 00 011	90235-63-25	63	25	59	38.5	86	49	92	42.5	204.5	88	80	70	35	1
90235 00 012	90235-63-32	63	32	59	46	86	49	92	52	204.5	95.5	80	70	45	1
Aluminium															
90235 00 004 A	90235A-40-20	40	20	52	33	85	52	69	40	187.5	83.5	57	55	30	1
90235 00 005 A	90235A-40-25	40	25	52	41	85	53	69	49	187.5	83.5	57	55	30	1
90235 00 007 A	90235A-50-20	50	20	58.5	33	105	57	84	40	222	90	69	68	30	1
90235 00 008 A	90235A-50-25	50	25	58.5	41	105	57	84	49	222	98	69	68	35	1
90235 00 009 A	90235A-50-32	50	32	58.5	45	105	57	84	58	222	102	69	68	45	1
90235 00 010 A	90235A-63-20	63	20	57.5	33	87.5	64.5	94	40	205.5	97	80	75	30	1
90235 00 011 A	90235A-63-25	63	25	57.5	41	87.5	64.5	94	49	205.5	105	80	75	35	1
90235 00 012 A	90235A-63-32	63	32	57.5	45	87.5	64.5	94	58	205.5	112	80	75	45	1

90237

FEMALE OUTLET REDUCING TEE

NPTF

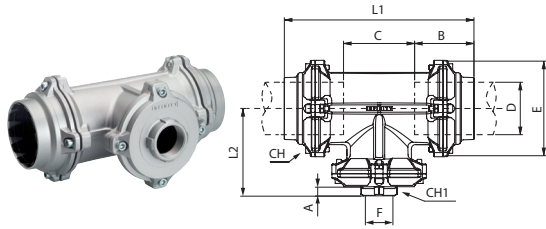
New



Code	Item	D	F(NPTF)	A	B	C	E	L1	L2	CH	CH1	Pack.
90237 00 007	90237-20-08	20	1/2	13.5	31.5	48	34.5	109	25	28	30	3
90237 00 008	90237-25-08	25	1/2	13.5	38.5	45.5	42.5	121.5	33.5	35	35	3
Aluminium												
90237 00 003 A	90237A-40-08	40	1/2	13.5	52	85	69	187.5	43.5	57	55	1
90237 00 017 A	90237A-63-08	63	1/2	13.5	57.5	88	94	203	53	80	75	1
90237 00 005 A	90237A-63-12	63	3/4	14	57.5	88	94	203	54	80	75	1
90237 00 018 A	90237A-63-16	63	1"	17	57.5	88	94	203	56.5	80	75	1

90237 Ø 80-110-168 NPTF

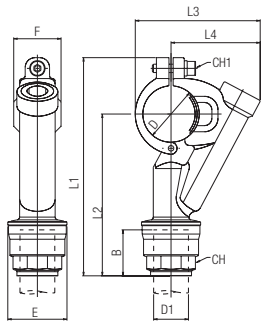
FEMALE OUTLET REDUCING TEE



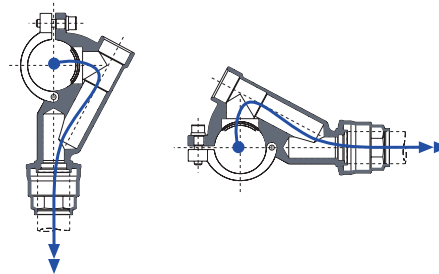
Code	Item	D	F(NPTF)	A	B	C	E	L1	L2	CH	CH1	Pack.
90237 00 009	90237-80-12	80	3/4	14.5	91	109	145	291.5	138	6	42	1
90237 00 010	90237-80-16	80	1"	17	91	109	145	291.5	138	6	49	1
90237 00 011	90237-80-24	80	1 1/2"	20	91	109	145	291.5	138	6	66	1
90237 00 012	90237-80-32	80	2"	22	91	109	145	291.5	138	6	80	1
90237 00 013	90237-110-12	110	3/4	14.5	125.5	150.5	200	401	180	8	42	1
90237 00 014	90237-110-16	110	1"	17	125.5	150.5	200	401	180	8	49	1
90237 00 015	90237-110-24	110	1 1/2"	20	125.5	150.5	200	401	180	8	66	1
90237 00 016	90237-110-32	110	2"	22	125.5	150.5	200	401	180	8	80	1
90237 00 026	90237-110-48	110	3"	29	125.5	150.5	200	401	187.5	8	120	1
90237 00 021	90237-168-12	168	3/4	14.5	194	235	306	623	275	10	41.5	1
90237 00 022	90237-168-16	168	1"	17	194	235	306	623	277	10	48	1
90237 00 023	90237-168-32	168	2"	17	194	235	306	623	277	10	78	1
90237 00 024	90237-168-48	168	3"	29	194	235	306	623	283	10	120	1
90237 00 025	90237-168-64	168	4"	27	194	235	306	623	286	10	124	1

90240

SADDLE CLAMP CONNECTOR



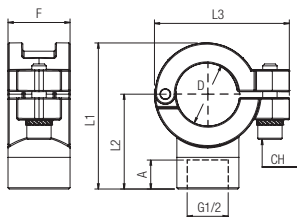
Code	Item	D	D1	B	E	F	L1	L2	L3	L4	CH	CH1	Pack.
90240 00 003	90240-32-20	32	20	31.5	34.5	34	136.5	100.5	78	57	30	5	6
90240 00 004	90240-32-25	32	25	38.5	42.5	34	144.5	108.5	78	57	35	5	6
90240 00 005	90240-40-20	40	20	31.5	34.5	34	148.5	108	89.5	64	30	5	4
90240 00 006	90240-40-25	40	25	38.5	42.5	34	156.5	116	89.5	64	35	5	4
90240 00 007	90240-50-20	50	20	31.5	34.5	42.5	167.5	118.5	105.5	74	30	6	2
90240 00 008	90240-50-25	50	25	38.5	42.5	42.5	175.5	126.5	105.5	74	35	6	1
90240 00 010	90240-63-20	63	20	31.5	34.5	42.5	185	130	119	81	30	6	1
90240 00 011	90240-63-25	63	25	38.5	42.5	42.5	193	138	119	81	35	6	1



90248

FEMALE SADDLE CLAMP CONNECTOR

NPTF

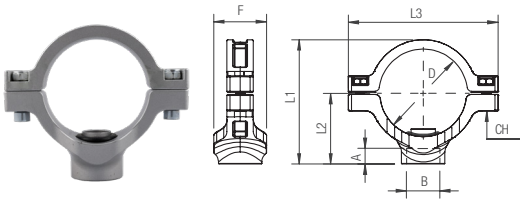


Code	Item	D	(NPTF)	A	F	L1	L2	L3	CH	Pack.
90248 00 002	90248-25-08	25	1/2	13.5	25.5	50	39	55.5	5	2
90248 00 003	90248-32-08	32	1/2	13.5	34	63.5	42.5	61.5	5	2
90248 00 004	90248-40-08	40	1/2	13.5	34	71	46	70	5	2
90248 00 005	90248-50-08	50	1/2	13.5	42.5	83.5	52	84.5	6	1
90248 00 006	90248-63-08	63	1/2	13.5	42.5	95.5	57.5	97	6	1

90248 Ø 80-110

FEMALE SADDLE CLAMP CONNECTOR

NPTF

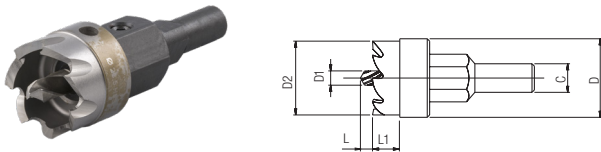


Code	Item	D	B	A	F	L1	L2	L3	CH	Pack.
90248 00 007	90248-80-12	80	3/4	16.5	50	117.5	66.5	141.5	6	1
90248 00 008	90248-80-16	80	1"	19	50	120	69	141.5	6	1
90248 00 009	90248-110-12	110	3/4	16.5	50	152.5	82	189.5	8	1
90248 00 010	90248-110-16	110	1"	19	50	155	84.5	189.5	8	1
90248 00 015	90248-110-32	110	2"	22	71	165	94	189.5	8	1
90248 00 011	90248-168-12	168	3/4	14	52	213	114	249	8	1
90248 00 012	90248-168-16	168	1"	16.8	52	213	114	249	8	1
90248 00 013	90248-168-24	168	1 1/2"	17.3	72	223	124	249	8	1
90248 00 014	90248-168-32	168	2"	17.3	72	223	124	249	8	1

90241

TOOL FOR SADDLE CLAMP CONNECTOR

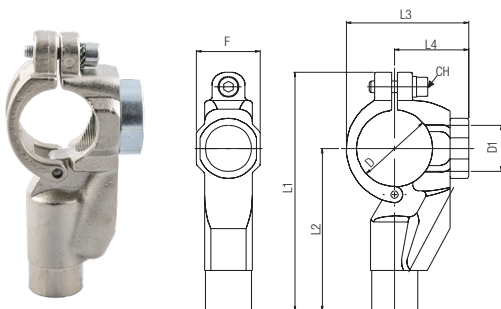
Code	Item	Tube	C	D	D1	D2	L	L1	Pack.
90241 00 003	90241-25	25	9	17.5	6	17	3	10	1
90241 00 001	90241-32	32-40-80-110-168 3/4 - 168 1"	9	24	6	23.5	3	10	1
90241 00 002	90241-50	50 - 63	9	31	6	30.5	3	9	1
90241 00 004	90241-168	168 1 1/2" - 168 2"	10	41	6	40.5	3	13	1



90242

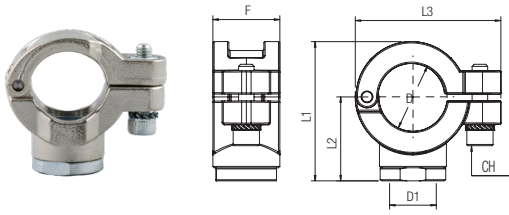
DRILLING JIG

Code	Item	D	D1	F	L1	L2	L3	L4	CH	Pack.
90242 00 001	90242-32	32	24.5	34	115	79	56	35	5	1
90242 00 002	90242-40	40	24.5	34	127	86.5	65	39.5	5	1
90242 00 003	90242-50	50	32	42.5	146	97	79	47.5	6	1
90242 00 004	90242-63	63	32	42.5	163.5	108.5	93	55	6	1



90249

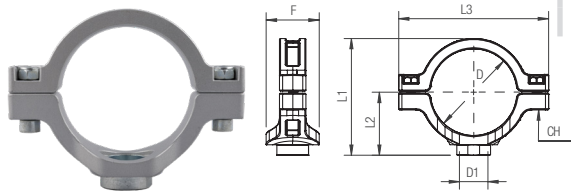
COMPACT DRILLING JIG



Code	Item	D	D1	F	L1	L2	L3	CH	Pack.
90249 00 002	90249-25	25	17.8	25.5	53	32	55.5	5	1
90249 00 003	90249-32	32	24.5	34	56	35	61.5	5	1
90249 00 004	90249-40	40	24.5	34	65	40	70	5	1
90249 00 005	90249-50	50	32	42.5	79	47.5	84.5	6	1
90249 00 006	90249-63	63	32	42.5	93	55	97	6	1

90249 Ø 80-110-168

COMPACT DRILLING JIG



Code	Item	D	D1	F	L1	L2	L3	CH	Pack.
90249 00 007	90249-80	80	24.5	50	110.5	59.5	141.5	6	1
90249 00 008	90249-110	110	24.5	50	135.5	64.5	189.5	8	1
90249 00 011	90249-110-24	110 2"	41.5	71	147	77	189.5	8	1
90249 00 009	90249-168-12	168 3/4 - 168 1"	24.5	52	201.5	102.5	248.5	8	1
90249 00 010	90249-168-24	168 1"1/2 - 168 2"	41.5	74	204.5	105.5	248.5	8	1



Mounting instructions flange

Saddle clamp allows to set up a new drop in an existing system without removing tubes.

- 1 Depressurization.
- 2 Mount Cod. 90242 on tube wherever necessary. Be careful that jig bore must intersect the axis of tube drop. It is possible to connect a tube diameter Ø 20 mm to take easier the positioning of the drilling jig.
- 3 Drill the tube with proper tool Cod. 90241.
- 4 Do not damage the tube.
- 5 Take down Cod. 90242 and remove residual material
- 6 Mount and tighten Cod. 90240. Be careful that lipseal lays into the hole correctly. Screw up.

<p>1</p>	<p>2</p> <p>AXES OF OUTLET</p> <p>90242 - 90249</p>	<p>3</p> <p>90241</p> <p>90242 - 90249</p>
<p>4</p> <p>90242 - 90249</p>	<p>5</p> <p>90240 - 90248</p>	<p>6</p> <p>90240 - 90248</p>

90254

NPTF

DRILLING TOOL FOR SADDLE CLAMP WITH VALVE

Code	Item	Dimensions	Pack.
90254 00 001	90254	25 - 32 - 40 - 50 - 63	1

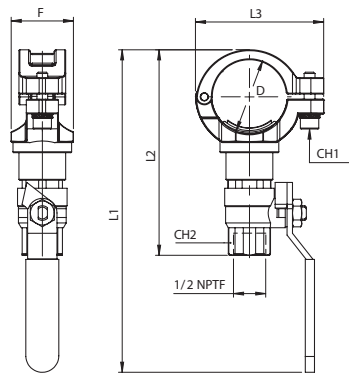
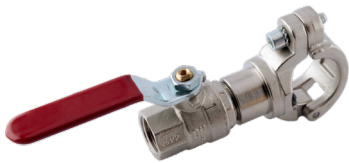


90255

NPTF

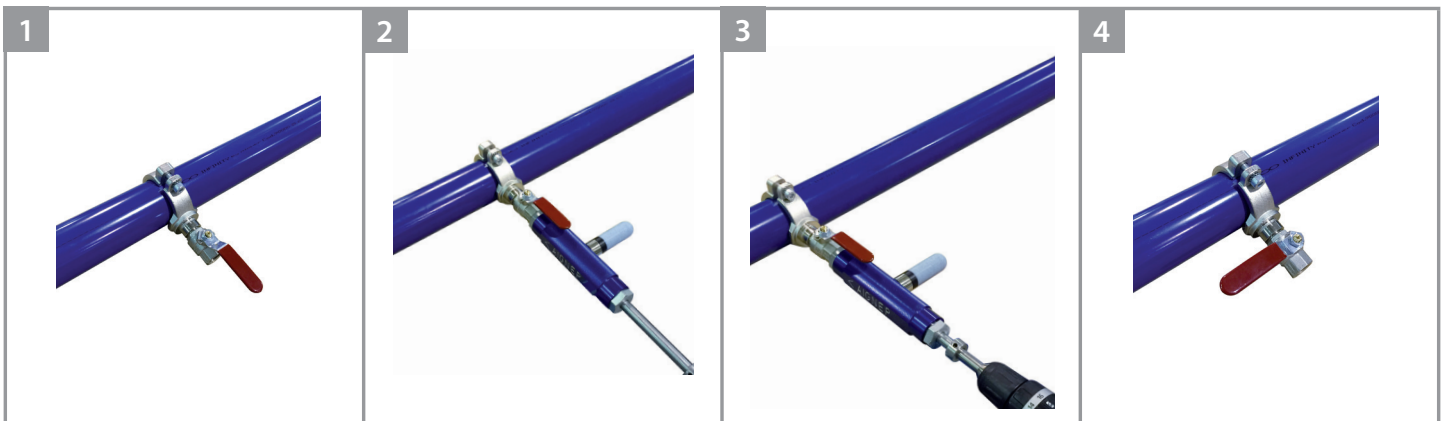
SADDLE CLAMP CONNECTOR WITH VALVE

Code	Item	D	NPTF	F	L1	L2	L3	CH1	CH2	Pack.
90255 00 002	90255-25-08	25	1/2	25.5	161	97.5	55.5	5	25	1
90255 00 003	90255-32-08	32	1/2	34	168	104	61.5	5	25	1
90255 00 004	90255-40-08	40	1/2	34	176	112	70	5	25	1
90255 00 005	90255-50-08	50	1/2	42.5	188	125	84.5	6	25	1
90255 00 006	90255-63-08	63	1/2	42.5	200	137	97	6	25	1



Mounting instructions 90254 - 90255

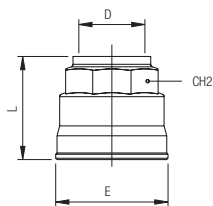
- 1 Mount the saddle clamp Cod.90254 - 90255 on tube and screw it carefully - open the valve.
- 2 Mount the drilling tool Cod.90254 - 90255 on valve and screw it carefully.
- 3 Mount the drill on the drilling tool Cod.90254 - 90255 and drill the tube till the stop.
- 4 Remove the drill and pull back the drill tip; close the valve before removing the drilling tool.



90610

CAP

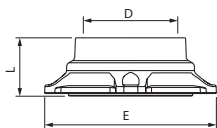
New



Code	Item	D	L	E	CH2	Pack.
90610 00 001	90610-20	20	33	34.5	30	10
90610 00 002	90610-25	25	39	42.5	35	6
90610 00 003	90610-32	32	46.5	52	45	4
90610 00 004	90610-40	40	53	63	55	4
90610 00 005	90610-50	50	62	73	65	2
90610 00 006	90610-63	63	58	92	70	2
Aluminium						
90610 00 004 A	90610A-40	40	60.5	69	55	1
90610 00 005 A	90610A-50	50	73.5	84	68	1
90610 00 006 A	90610A-63	63	64	94	75	1

90610 Ø 80-110-168

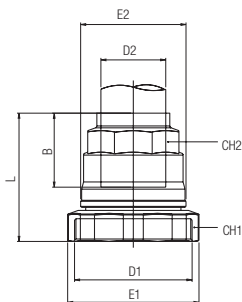
CAP



Code	Item	D	L	E	Pack.
90610 00 007	90610-80	80	49.5	145	1
90610 00 008	90610-110	110	68	200	1
90610 00 009	90610-168	168	85	306	1

90620

BODY REDUCER



Code	Item	D1	D2	B	E1	E2	L	CH1	CH2	Pack.
90620 00 001	90620-25-20	25	20	31.5	43.5	34.5	48	42	30	5
90620 00 002	90620-32-20	32	20	31.5	54	34.5	48.5	52	30	5
90620 00 003	90620-32-25	32	25	38.5	54	42.5	55	52	35	5
90620 00 004	90620-40-20	40	20	31.5	65	34.5	50	63	30	4
90620 00 005	90620-40-25	40	25	38.5	65	42.5	56.5	63	35	4
90620 00 006	90620-40-32	40	32	46	65	52	63.5	63	45	3
90620 00 011	90620-50-25	50	25	38.5	75	42.5	55	73	35	1
90620 00 007	90620-50-32	50	32	46	75	52	63.5	73	45	1
90620 00 008	90620-50-40	50	40	52	75	63	69	73	55	1
90620 00 009	90620-63-40	63	40	52	95	63	58	92	55	1
90620 00 010	90620-63-50	63	50	63.5	95	73	68	92	65	1
Aluminium										
90620 00 011 A	90620A-50-25	50	25	41	90	49	80	80	35	1
90620 00 007 A	90620A-50-32	50	32	45	90	58	84	80	45	1
90620 00 008 A	90620A-50-40	50	40	52	90	69	90	80	55	1
90620 00 009 A	90620A-63-40	63	40	52	95	63	84.5	92	55	1
90620 00 010 A	90620A-63-50	63	50	63.5	95	73	92.5	92	65	1



Assembling 90620

- 1 Remove the nut
- 2 Mount Cod. 90620
- 3 Torque specifications

1

REMOVE THE NUT

2

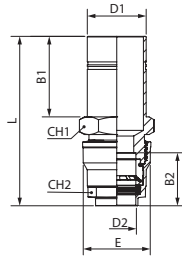
MOUNT COD: 90620

3

Ø mm	Torque specifications
20	3 Nm (26 In - lbs)
25	3 Nm (26 In - lbs)
32	4 Nm (35 In - lbs)
40	6.5 Nm (58 In - lbs)
50	75 Nm (55 ft - lbs)
63	85 Nm (63 ft - lbs)
Aluminium	
50	45 Nm (33 ft - lbs)
63	85 Nm (63 ft - lbs)

90621

REDUCER

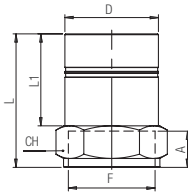


Code	Item	D1	D2	B1	B2	E	L	CH1	CH2	Pack.
Aluminium										
90621 00 011 A	90621A-50-25	50	25	68.5	40.5	49	140	55	35	2
90621 00 007 A	90621A-50-32	50	32	68.5	45	58	144	55	45	2
90621 00 008 A	90621A-50-40	50	40	68.5	52	63	139	65	55	2
90621 00 013 A	90621A-63-25	63	25	62	40.5	49	133.5	65	35	2
90621 00 012 A	90621A-63-32	63	32	62	45	58	137	65	45	2
90621 00 009 A	90621A-63-40	63	40	62	52	63	133.5	65	55	2

90626

FEMALE STEM ADAPTER

NPTF

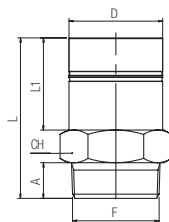


Code	Item	D	F (NPTF)	A	L	L1	CH	Pack.
906260001CJNT	90626-20-08	20	1/2	13.5	55	35	27	2
9062600013INT	90626-25-12	25	3/4	14	62.5	42	32	2
9062600014INT	90626-32-16	32	1"	16.8	76.5	51	38	2
Aluminium								
9062600115IAG	90626-40-20	40	1"1/4	17.3	81	55.5	50	2
9062600116IAG	90626-50-24	50	1"1/2	17.3	90.5	68.5	55	2
9062600117IAG	90626-63-32	63	2"	17.7	108	82	65	2

90628

MALE STEM ADAPTER

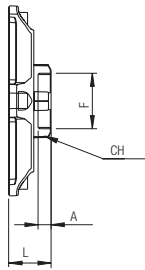
NPTF



Code	Item	D	F (NPTF)	A	L	L1	CH	Pack.
90628 00 01 CJ NT	90628-20-08	20	1/2	17	59	35	22	2
90628 00 01 DH NT	90628-20-12	20	3/4	17.5	60.5	35	27	2
90628 00 01 NF NT	90628-25-08	25	1/2	17	67	42	27	2
90628 00 01 3I NT	90628-25-12	25	3/4	17.5	67.5	42	27	2
90628 00 01 DL NT	90628-25-16	25	1"	21.5	73.5	42	34	2
90628 00 01 4I NT	90628-32-16	32	1"	21.5	83.5	52	34	1
90628 00 01 F7 NT	90628-32-24	32	1"1/2	23	89.5	52	50	1
90628 00 01 NE NT	90628-40-24	40	1"1/2	23	93	55.5	50	1
90628 00 01 6I NT	90628-50-24	50	1"1/2	23	106	68.5	55	1
90628 00 01 G5 NT	90628-50-32	50	2"	23.5	112	68.5	65	1
90628 00 01 7I NT	90628-63-32	63	2"	23.5	125.5	82	65	1
90628 00 01 58 NT	90628-63-40	63	2"1/2	35	139	82	75	1
Aluminium								
90628 00 11 7I AG	90628A-63-32	63	2"	23.5	125.5	82	65	1
90628 00 11 58 AG	90628A-63-40	63	2"1/2	35	139	82	75	1

90631
FEMALE REDUCER

NPTF

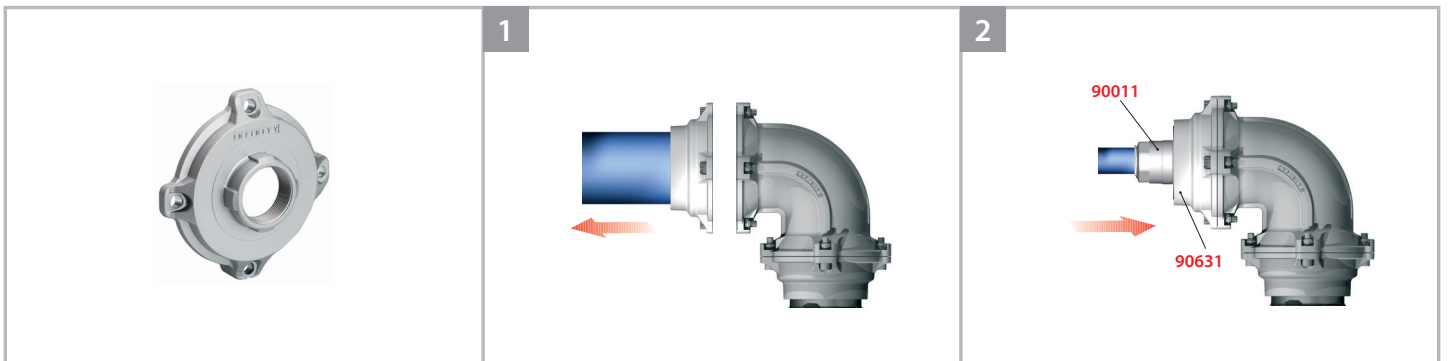


Code	Item	Tube	F (NPTF)	A	L	CH	Pack.
90631 00 005	90631-80-12	80	3/4	14	42	42	1
90631 00 006	90631-80-16	80	1"	17	42	49	1
90631 00 007	90631-80-24	80	1"1/2	17.5	42	66	1
90631 00 008	90631-80-32	80	2"	17.5	42	80	1
90631 00 001	90631-110-12	110	3/4	14	48	42	1
90631 00 002	90631-110-16	110	1"	17	48	49	1
90631 00 003	90631-110-24	110	1"1/2	17.5	48	66	1
90631 00 004	90631-110-32	110	2"	17.5	48	80	1
90631 00 014	90631-110-48	110	3"	29	51.5	120	1
90631 00 009	90631-168-12	168	3/4	18	99.5	49	1
90631 00 010	90631-168-16	168	1"	23	102	80	1
90631 00 011	90631-168-32	168	2"	23.5	102	120	1
90631 00 012	90631-168-48	168	3"	29	108.5	120	1
90631 00 013	90631-168-64	168	4"	34	110	145	1



Assembling 90631

- 1 Remove the flange
- 2 Mount Cod. 90631 & 90011

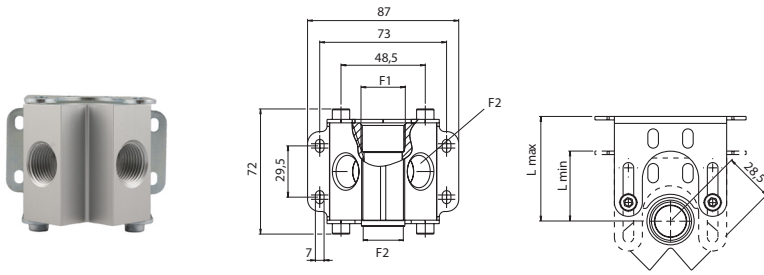


90643

2 WAY MANIFOLD

NPTF

Code	Item	F1(NPTF)	F2(NPTF)	N°	Lmax	Lmin	Pack.
90643 00 001	90643-08-08	1/2	1/2	2	60	35	1
90643 00 002	90643-12-08	3/4	1/2	2	60	35	1



APPLICATION EXAMPLE

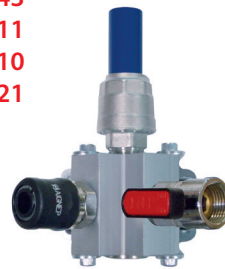
90643
90011
80621



90643
90721
80621



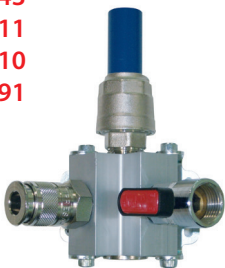
90643
90011
86310
80621



90643
90721
86310
80621



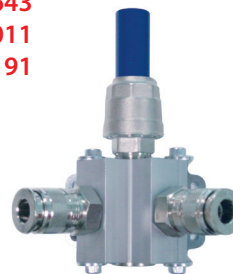
90643
90011
86310
80191



90643
90721
86310
80191



90643
90011
80191



90643
90721
80191



90643
90011
82201
N100
80621

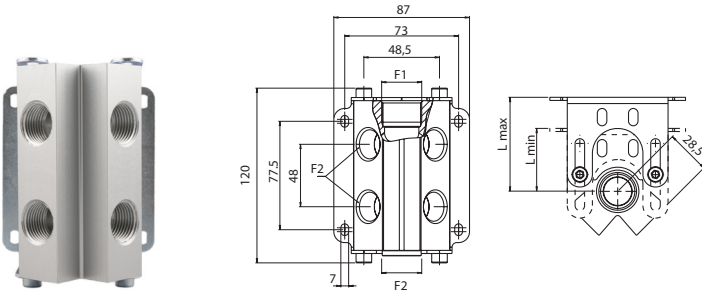


90645

4 WAY MANIFOLD

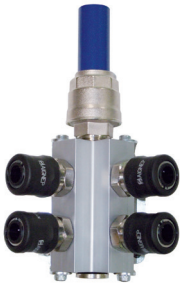
NPTF

Code	Item	F1(NPTF)	F2(NPTF)	N°	Lmax	Lmin	Pack.
90645 00 001	90645-08-08	1/2	1/2	4	60	35	1
90645 00 002	90645-12-08	3/4	1/2	4	60	35	1



APPLICATION EXAMPLE

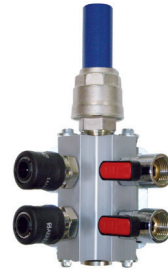
90645
90011
80621



90645
90721
80621



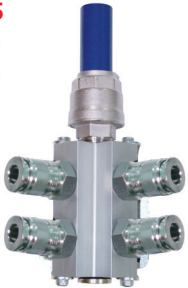
90645
90011
86310
80621



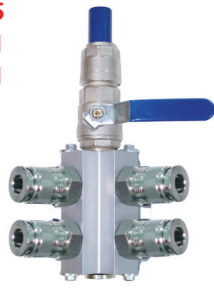
90645
90721
86310
80621



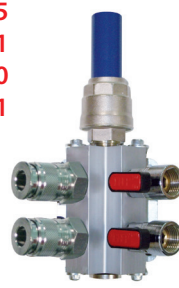
90645
90011
80191



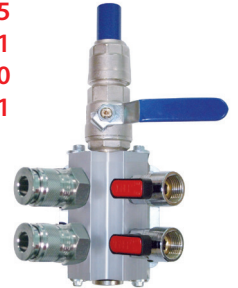
90645
90721
80191



90645
90011
86310
80191



90645
90721
86310
80191



90645
90011
82201
N100
80621

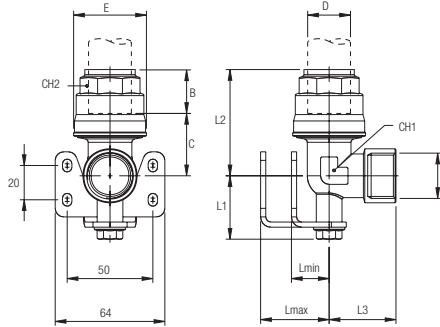


90601

SINGLE OUTLET

NPTF

Code	Item	D	F(NPTF)	B	C	E	L1	L2	L3	Lmax	Lmin	CH1	CH2	Pack.
90601 00 001	90601-20-08	20	1/2	31.5	19.5	34.5	35	51	35	40	22	21	30	4
90601 00 002	90601-25-08	25	1/2	38.5	23	42.5	37	62	39	40	22	26	35	3
90601 00 003	90601-32-08	32	1/2	46	28	62	41	74.5	48.5	40	26	34	45	2

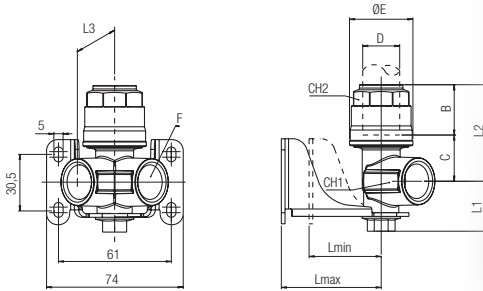


90603

DOUBLE OUTLET

NPTF

Code	Item	D	F(NPTF)	B	C	E	I	L1	L2	Lmin	Lmax	CH1	CH2	Pack.
90603 00 001	90603-20-08	20	1/2	31.5	20	34.5	28.5	27	51.5	22	54	26	30	2
90603 00 002	90603-25-08	25	1/2	38.5	21	42.5	28.5	27	59	22	54	26	35	2

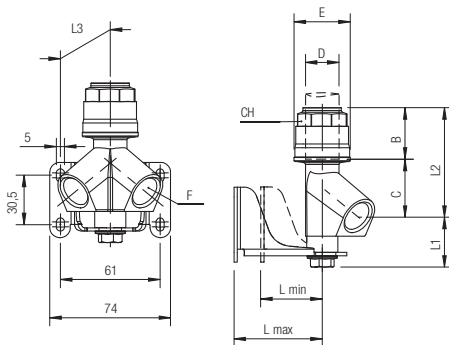


90661

INCLINED DOUBLE OUTLET

NPTF

Code	Item	D	F(NPTF)	B	C	E	L1	L2	L3	Lmin	Lmax	CH	Pack.
90661 00 001	90661-20-08	20	1/2	31.5	34.5	34.5	31	66	37.5	22	54	30	2
90661 00 002	90661-25-08	25	1/2	38.5	33	42.5	31	71.5	37.5	22	54	35	2

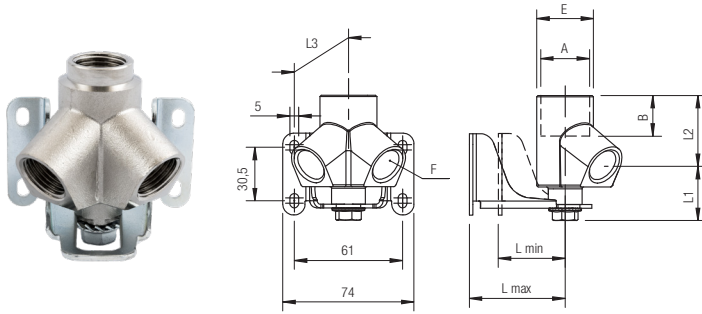


90663

THREADED INCLINED DOUBLE OUTLET

NPTF

Code	Item	A(NPTF)	F(NPTF)	B	E	L1	L2	L3	L _{min}	L _{max}	Pack.
90663 00 001	90663-08-08	1/2	1/2	13.5	32	31	40.5	37.5	22	54	2
90663 00 002	90663-12-08	3/4	1/2	14	32	31	39	37.5	22	54	2

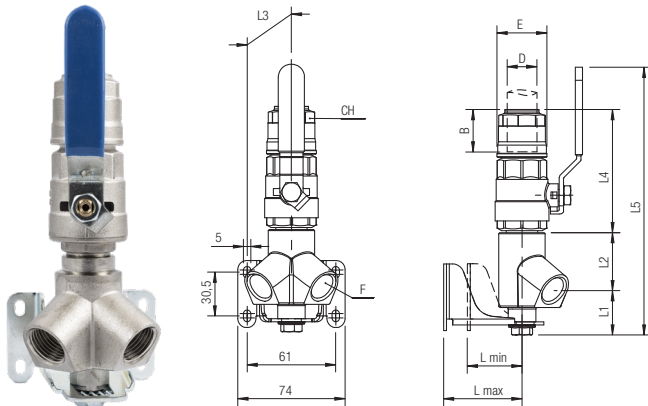


90665

INCLINED DOUBLE OUTLET WITH VALVE

NPTF

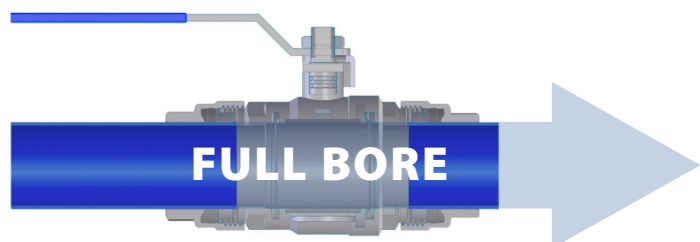
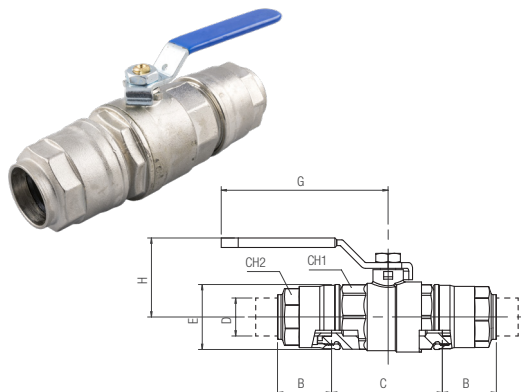
Code	Item	D	F(NPTF)	B	E	L1	L2	L3	L4	L5	L _{min}	L _{max}	CH	Pack.
90665 00 001	90665-20-08	20	1/2	31.5	34.5	31	40.5	37.5	84.5	184	22	54	30	2
90665 00 002	90665-25-08	25	1/2	38.5	42.5	31	39	37.5	101.5	209	22	54	35	2



90700

BALL VALVE TUBE/TUBE - TOTAL PASSAGE

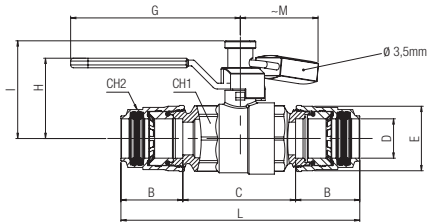
Code	Item	D	DN	B	C	E	L	CH1	CH2	G	H	Pack.
90700 00 001	90700-20	20	17	31.5	58.5	34.5	121.5	32	30	88	42	2
90700 00 002	90700-25	25	22	38.5	61.5	42.5	138.5	41	35	106	47.5	2
90700 00 003	90700-32	32	29	46	75	52	167	50	45	106	53	2
90700 00 004	90700-40	40	37	52.5	81	63	186	59	55	134	65	1
90700 00 005	90700-50	50	46	63.5	103	73	230	69	65	134	72.5	1
90700 00 006	90700-63	63	59	59	126	92	247	92	70	240	111.5	1
Aluminium												
90700 00 005 A	90700A-50	50	46	65	115	84	245	69	68	134	72.5	1
90700 00 006 A	90700A-63	63	59	57.5	126	94	232	89	75	240	111.5	1



The ball valves 90700 - 90710 are designed to guarantee full flow. We do not recommend using threaded ball valves because they reduce flow significantly.

90705

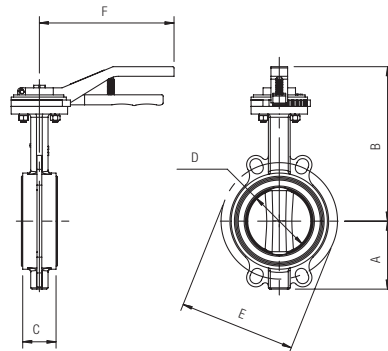
BALL VALVE TUBE/TUBE WITH PADLOCK



Code	Item	D	(DN)	B	C	E	L	CH1	CH2	G	H	I	M	Pack.
90705 00 001	90705-20	20	17	31.5	58.5	34.5	121.5	32	30	88	42	50.7	45	2
90705 00 002	90705-25	25	22	38.5	61.5	42.5	138.5	41	35	106	47.5	59.5	45	2
90705 00 003	90705-32	32	29	46	75	52	167	50	45	106	53	65	45	2
90705 00 004	90705-40	40	37	52.5	81	63	186	59	55	134	65	74.5	47	1
90705 00 005	90705-50	50	46	63.5	103	73	230	69	65	134	72.5	82	47	1
Aluminium														
90705 00 005 A	90705A-50	50	46	65	115	84	245	69	68	134	72.5	82	47	1

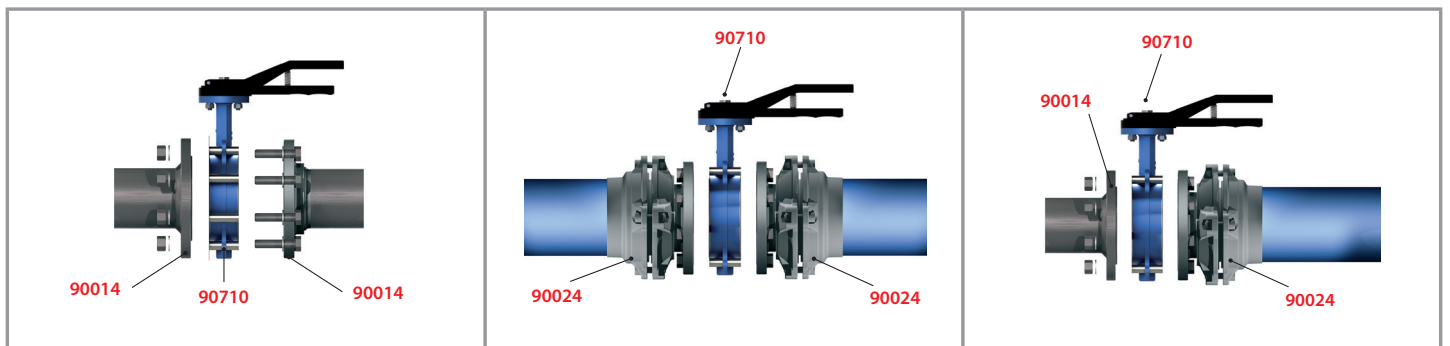
90710

BUTTERFLY VALVE + SCREWS + NUTS + WASHERS



Code	Item	D	(DN)	A	B	C	E	F	Pack.
90710 00 002	90710-80	80	77	87	216	46	160	265	1
90710 00 001	90710-110	110	100	106	201	52	180	265	1
90710 00 003	90710-168	168	150	126	202	56	240	265	1

APPLICATIONS EXAMPLE 90710

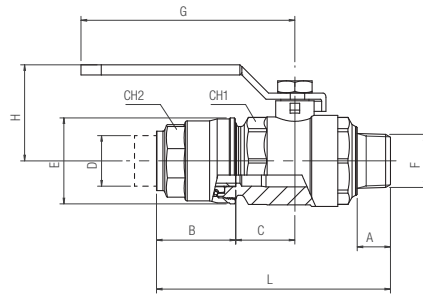


90721

MALE-TUBE BALL VALVE

NPTF

Code	Item	D	F(NPTF)	DN	A	B	C	E	L	CH1	CH2	G	H	Pack.
90721 00 001	90721-20-08	20	1/2	15	17	31.5	29.3	34.5	100.8	32	30	88	42	2
90721 00 002	90721-25-12	25	3/4	20	17.5	38.5	30.8	42.5	119.3	41	35	106	47.5	2

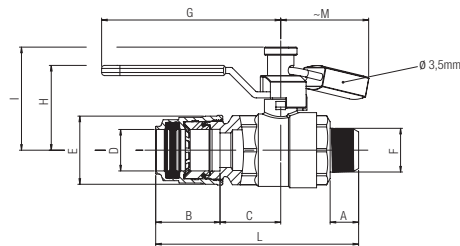


90726

MALE-TUBE BALL VALVE WITH PADLOCK

NPTF


Code	Item	D	F(NPTF)	DN	A	B	C	E	L	CH1	CH2	G	H	I	M	Pack.
90726 00 001	90726-20-08	20	1/2	15	17	31.5	29.3	34.5	100.8	32	30	88	42	50.7	45	2
90726 00 002	90726-25-12	25	3/4	20	17.5	38.5	30.8	42.5	119.3	41	35	106	47.5	59.5	45	2

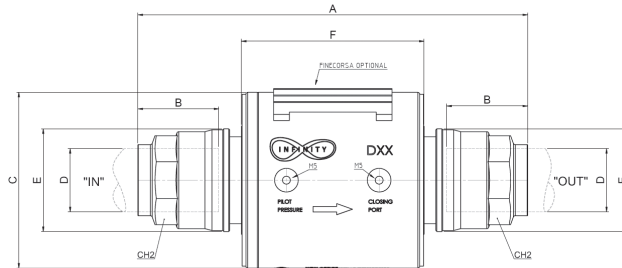


90740

PNEUMATIC AXIAL VALVE

Code	Item	D	Kv	A	B	C	E	F	CH2	Pack.
90740 00 003	90740-32	32	78	198	46	89	52	92.6	45	1
90740 00 004	90740-40	40	101	208	52	89	63	92.6	55	1
90740 00 005	90740-50	50	168	249	63.5	109	73	110	65	1
90740 00 006	90740-63	63	300	269	57.5	139	94	140.3	75	1

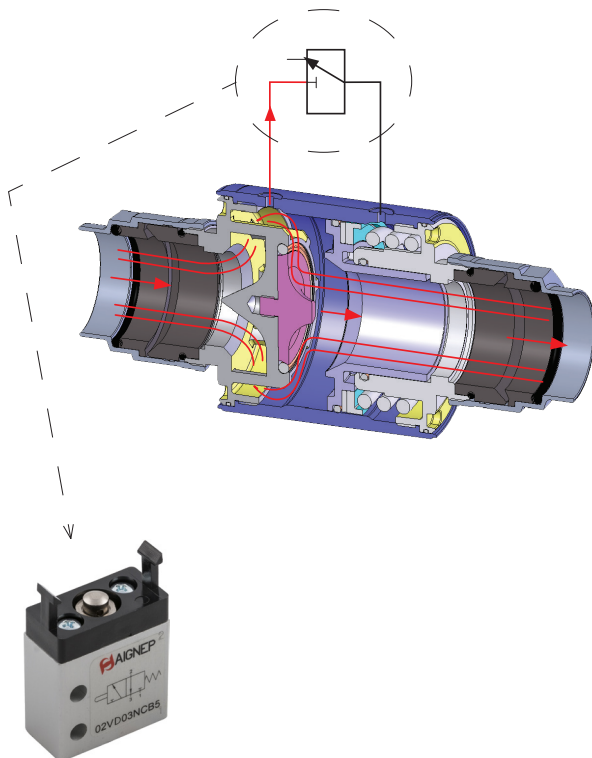
	min	max
 Pressure	-	+ 10 bar (1.0 MPa)



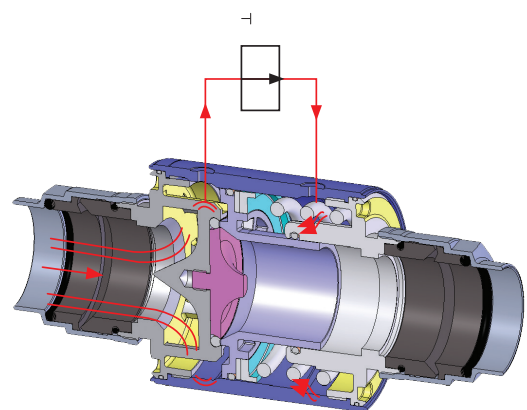
Function

The valve is normally closed and it uses the pipeline pressure to open and close the compressed air flow.
 If not piloted, with a min. pressure of 2 bar the valve transits from closed to open position spontaneously.
 The valve is fully open with pipeline pressure around 3.5 bar.
 If pressure drops under 2 bar the valve automatically closes. This is the minimum pressure that remains in pipeline sections not affected by failure.
 The pipeline pressure is always available on the outlet "Pilot Pressure". Using a pneumatic or electropneumatic deflector is possible to flow this pressure to the "Closing Port" in order to close the valve immediately.

Open valve with inline pressure higher than 2 bar



Closed Valve



MICROVALVE FOR PANEL MOUNTING ACTUATOR



Code	Ways	Function	Size	Pack.
02V D0 3 NC B5	3/2	NC	M5	1

KEY SELECTOR



Code	Color	Function	Position to pull the key out	Pack
04V 03 0 00 02	 	0 - 1	Both position	1

LEVER OPERATED - SPRING RETURN



Code	Ways	Function	Size	Pack.
01V L0 3 NC 03 N	3/2	NC	NPTF 1/4	1

LEVER OPERATED - PUSH / PULL



Code	Ways	Size	Pack.
01V L1 3 00 03 N	3/2	NPTF 1/4	1

BUTTON OPERATED - SPRING RETURN



Code	Ways	Function	Size	Pack.
01V T0 3 NC 03 N	3/2	NC	NPTF 1/4	1

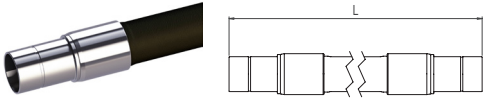
BUTTON OPERATED - PUSH / PULL



Code	Ways	Size	Pack.
01V T1 3 00 03 N	3/2	NPTF 1/4	1

90806

FLEXIBLE HOSE CONNECTED



Code	Tube		Length (Mt.)					Pack.	
	Ø	0.75	1	1.5	2	2.5	3		3.5
90806	020	0750	1000	-	2000	-	-	-	1
90806	025	-	1000	-	2000	-	-	-	1
90806	032	-	1000	-	2000	-	3000	-	1
90806	040	-	1000	-	2000	-	3000	-	1
90806	050	-	-	1500	-	2500	-	3500	1
90806	063	-	-	1500	-	2500	-	3500	1

	min	max
Temperature	- 30 °C	+ 80 °C
Pressure	-	+ 20 bar (2.0 MPa)

* To prevent serious risks fo whipash accidents or proper damage to people or equipment, the safety kit 90808 needs to be installed along with the flexible hose 90806. The Infinity Installer must place the kit straps on either side of the connection.

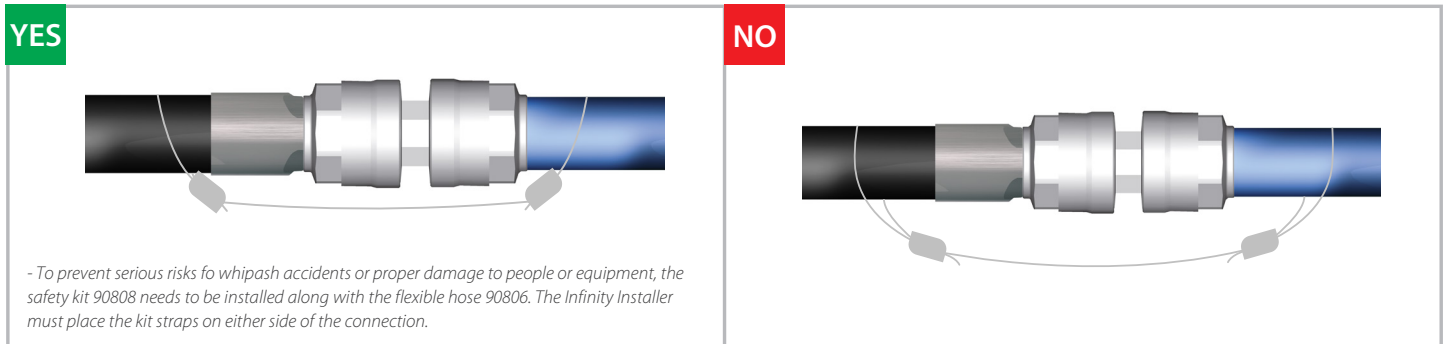
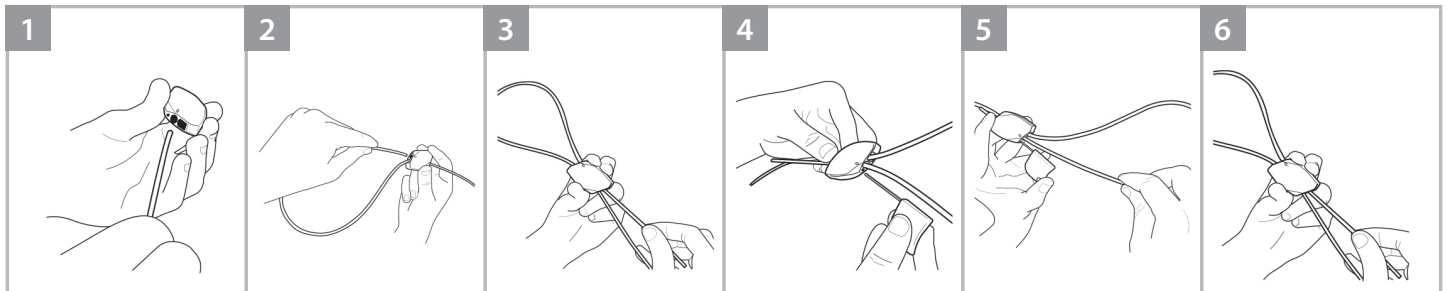
90808

SAFETY KIT FOR 90806

ISO 4414



Code	Item	Pack.
90808 00 001	90808	1



90818

NYLON TUBE HANGER WITH 1/4" - 20 UNC NUT



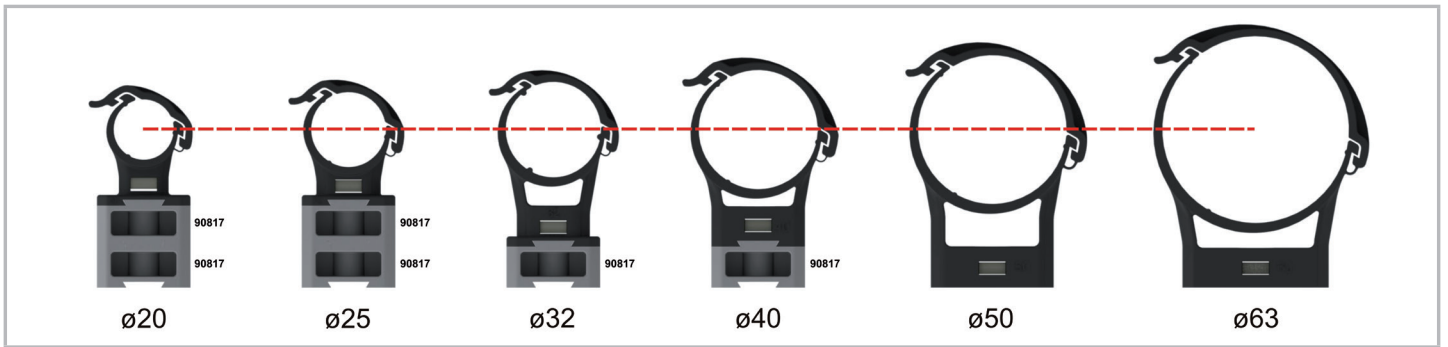
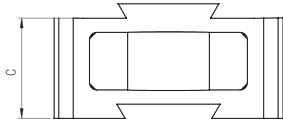
Code	Item	Tube	A	B	C	Pack.
90818 00 001	90818-20	20	15	35.5	26	5
90818 00 002	90818-25	25	17	39.5	26	5
90818 00 003	90818-32	32	20	44.5	40	5
90818 00 004	90818-40	40	24.5	53.5	40	5
90818 00 005	90818-50	50	30	62	54	5
90818 00 006	90818-63	63	36	73.5	54	5



90817

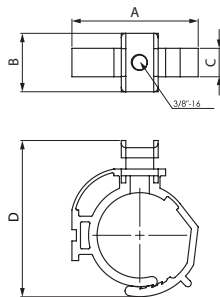
HANGER SPACER - FOR 90818

Code	Item	C	Pack.
90817 00 001	90817	14	5



90811

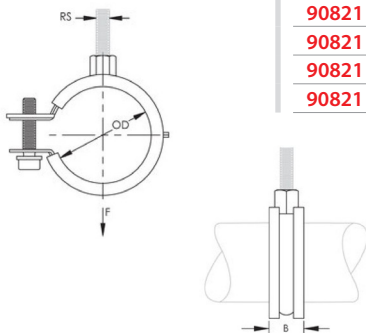
PLASTIC TUBE HANGER



Code	Item	Tube	A	B	C	D	Thread	Pack.
90811 00 009	90811-14	14	1.45	1.30	0.63	2.12	3/8 - 16 UNC	5
90811 00 001	90811-20	20	1.42	1.30	0.63	2.13	3/8 - 16 UNC	5
90811 00 002	90811-25	25	1.80	1.30	0.63	2.50	3/8 - 16 UNC	5
90811 00 003	90811-32	32	2.09	1.30	0.63	2.78	3/8 - 16 UNC	5
90811 00 004	90811-40	40	2.55	1.30	0.63	3.18	3/8 - 16 UNC	5
90811 00 005	90811-50	50	2.80	1.30	0.63	3.50	3/8 - 16 UNC	5
90811 00 006	90811-63	63	3.22	1.30	1.30	3.97	3/8 - 16 UNC	5
90811 00 007	90811-80	80	3.91	1.30	1.48	5.93	3/8 - 16 UNC	5
90811 00 008	90811-110	110	4.99	1.30	1.52	7.00	3/8 - 16 UNC	5

90821

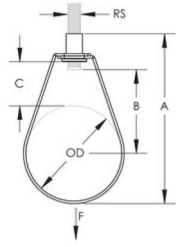
RUBBER LINED METAL HANGER



Code	Item	Tube	RS	B	Pack.
90821 00 001	90821-20	20	3/8"	29/32"	5
90821 00 002	90821-25	25	3/8"	29/32"	5
90821 00 003	90821-32	32	3/8"	29/32"	5
90821 00 004	90821-40	40	3/8"	29/32"	5
90821 00 005	90821-50	50	3/8"	29/32"	5
90821 00 006	90821-63	63	3/8"	29/32"	5
90821 00 007	90821-80	80	3/8"	15/16"	5
90821 00 008	90821-110	110	3/8"	1-1/8"	5

90823

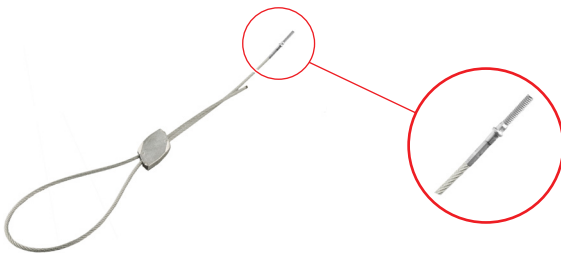
METAL CLEVIS HANGER



Code	Item	Tube	RS	A	B	C	Pack.
90823 00 001	90823-20	20	3/8"	2 13/16"	1 1/8"	1"	5
90823 00 002	90823-25	25	3/8"	3"	1 3/16"	15/16"	5
90823 00 003	90823-32	32	3/8"	3 1/4"	1 3/8"	15/16"	5
90823 00 004	90823-40	40	3/8"	3 9/16"	1 1/2"	15/16"	5
90823 00 005	90823-50	50	3/8"	4 1/4"	1 7/8"	15/16"	5
90823 00 006	90823-63	63	3/8"	5 15/16"	3 7/16"	2"	5
90823 00 007	90823-80	80	3/8"	6 9/16"	3 1/2"	1 15/16"	4
90823 00 008	90823-110	110	3/8"	7 9/16"	4"	1 15/16"	2
90823 00 009	90823-168	168	1/2"	11 5/16"	6 5/16"	3 5/16"	2

90831

HANGING SYSTEM FOR USE WITH STRUT BRACKET



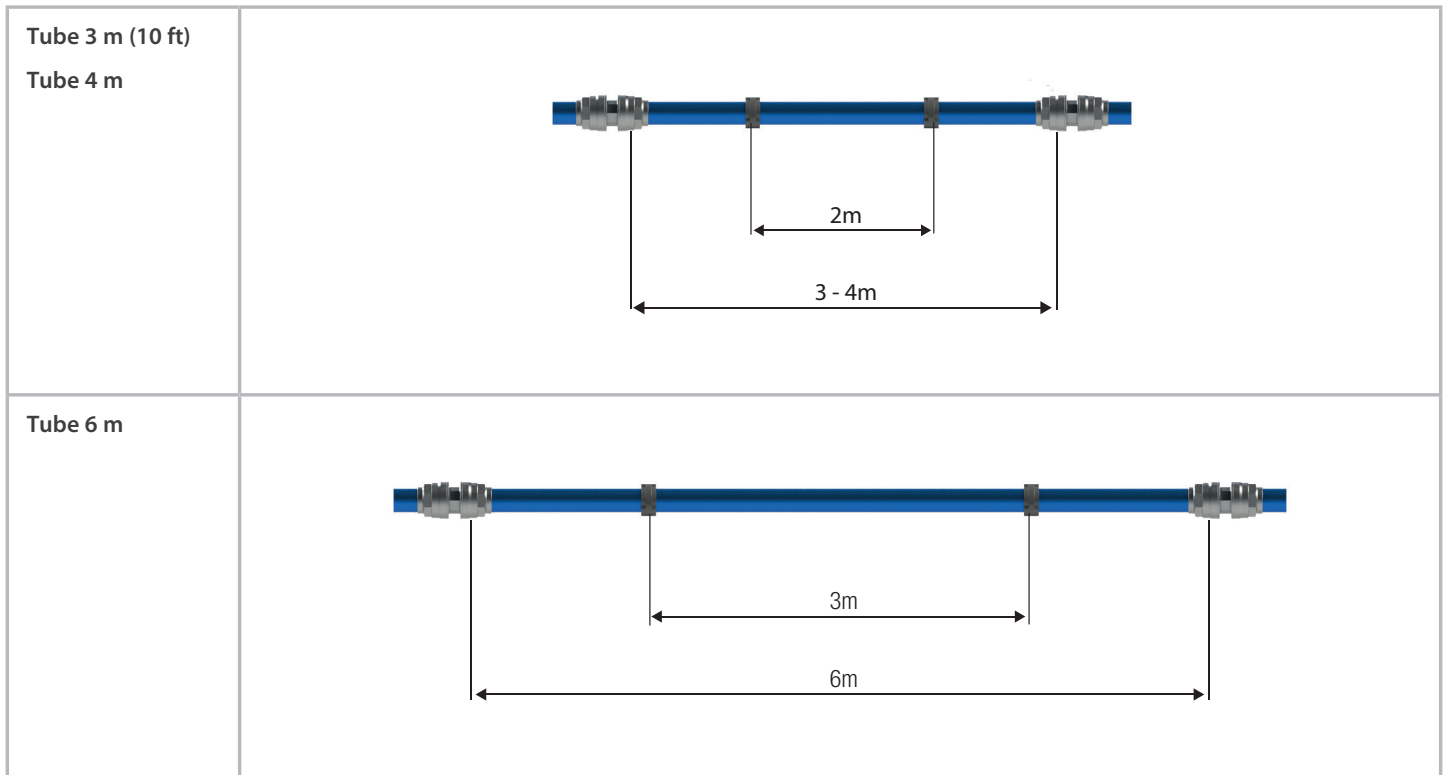
Code	Item	Thread	Length	Max Load	Pack.
90831 00 002	90831-04	1/4" - 20 UNC	15 ft	100 Lbs	10
90831 00 003	90831-06	3/8" - 16 UNC	15 ft	100 Lbs	10

HANGER POSITIONS



Assembling 90821

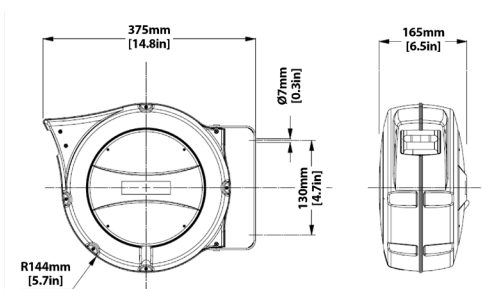
- The installer must follow all the national and local codes for securing the piping system
- Aignep suggests the below hanger positioning to secure Infinity pipes.



HOSE REELS

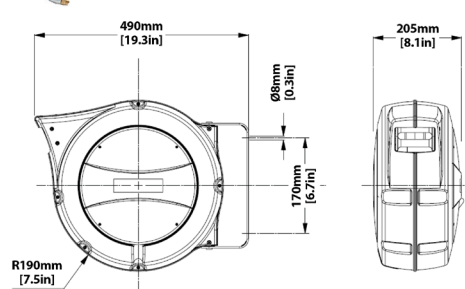
Code: 90827 00 001

33 ft



Code: 90827 00 003

50 ft



CODE:	90827 00 001	
Polyurethane tube	Ø INT. 5/16"	
Tube length (m)	33 ft	(10 mt)
Max pressure	215 PSI	15 bar (1.5 MPa)
Temperature	23 °F 122 °F	- 5 °C + 50 °C
Outlet fitting	1/4 M. NPT	
Intlet fitting	1/4 NPT	
Cut down size tube	5 ft	(1.5 m)
Air	YES	
Pack.	355x310x185 mm Kg 3.9	
7 bar flow rate	300 l/min	

CODE:	90827 00 003	
Polyurethane tube	Ø INT. 3/8"	
Tube length (m)	50 ft	(15 mt)
Max pressure	215 PSI	15 bar (1.5 MPa)
Temperature	23 °F 122 °F	- 5 °C + 50 °C
Outlet fitting	3/8 M. NPT	
Intlet fitting	3/8 M. NPT	
Cut down size tube	5 ft	(1.5 m)
Air	YES	
Pack.	430x400x210 mm Kg 7.1	
7 bar flow rate	450 l/min	



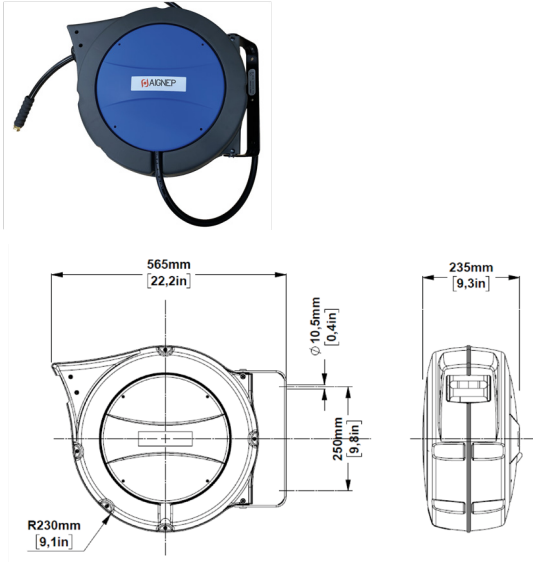
Function

Metal swivel fixing bracket
Automatic device to stop tube at chosen length.
This device is easy to disconnect whenever you may need tube in constant traction.

HOSE REELS

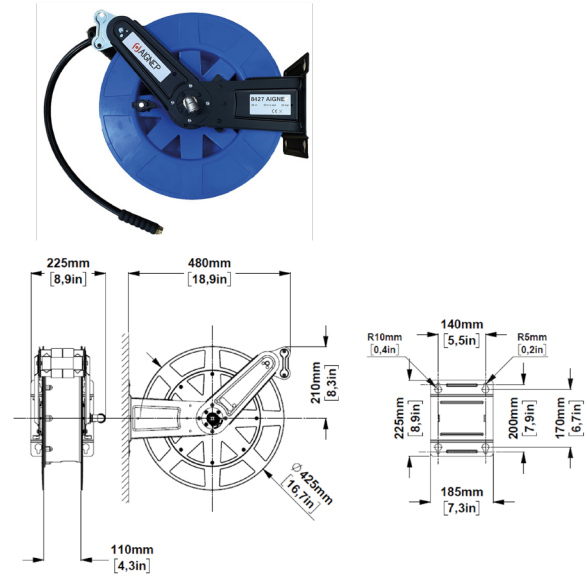
Code: 90827 00 004

50 ft



Code: 90827 00 005

65 ft

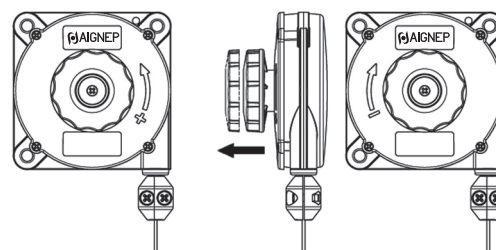
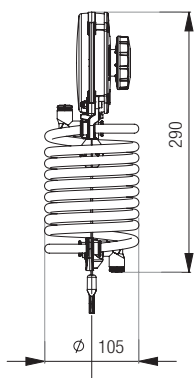
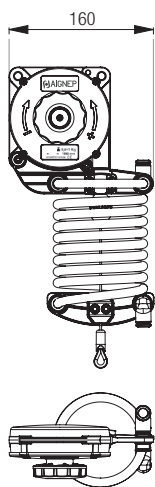


CODE:	9082700004	
Polyurethane tube	Ø INT. 1/2"	
Tube length (m)	50 ft	(15 mt)
Max pressure	215 PSI	15 bar (1.5 MPa)
Temperature	23 °F 122 °F	- 5 °C + 50 °C
Outlet fitting	1/2" M NPT	
Intlet fitting	1/2" M NPT	
Cut down size tube	5 ft	(1.5 m)
Air / Water	YES	
Pack.	550x505x270 mm 10.6 Kg	
7 bar flow rate	800 l/min	

CODE:	9082700005	
Polyurethane tube	Ø INT. 1/2"	
Tube length (m)	65 ft	(20 mt)
Max pressure	290 PSI	20 bar (2.0 MPa)
Temperature	23 °F 122 °F	- 5 °C + 50 °C
Outlet fitting	1/2" M NPT	
Intlet fitting	1/2" M NPT	
Cut down size tube		
Air / Water	YES	
Pack.	550x505x270 mm 10.6 Kg	
7 bar flow rate	800 l/min	

BALANCER WITH COILED TUBING

Code: 90828



Adjusting the load

CODE:	90828 00 001
Capacity (Lbs)	0.88 ÷ 2.20
Capacity (Kg)	0.4 ÷ 1
Stainless steel rope	Ø 0.078 inch Ø 2 mm
Stroke rope	5.24 ft 1600 mm
Max pressure	14.50 PSI 10 bar
Inlet-outlet fitting	Push-in fitting 3/8
Cut down size tube	3.28 ft 1 m
Air	YES
Pack.	1

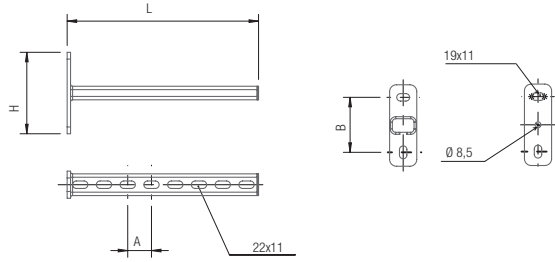
CODE:	90828 00 002
Capacity (Lbs)	2.20 ÷ 4.40
Capacity (Kg)	1 ÷ 2
Stainless steel rope	Ø 0.078 inch Ø 2 mm
Stroke rope	5.24 ft 1600 mm
Max pressure	14.50 PSI 10 bar
Inlet-outlet fitting	Push-in fitting 3/8
Cut down size tube	3.28 ft 1 m
Air	YES
Pack.	1

CODE:	90828 00 003
Capacity (Lbs)	4.40 ÷ 6.60
Capacity (Kg)	2 ÷ 3
Stainless steel rope	Ø 0.078 inch Ø 2 mm
Stroke rope	5.24 ft 1600 mm
Max pressure	14.50 PSI 10 bar
Inlet-outlet fitting	Push-in fitting 3/8
Cut down size tube	3.28 ft 1 m
Air	YES
Pack.	1

90830

BRACKET

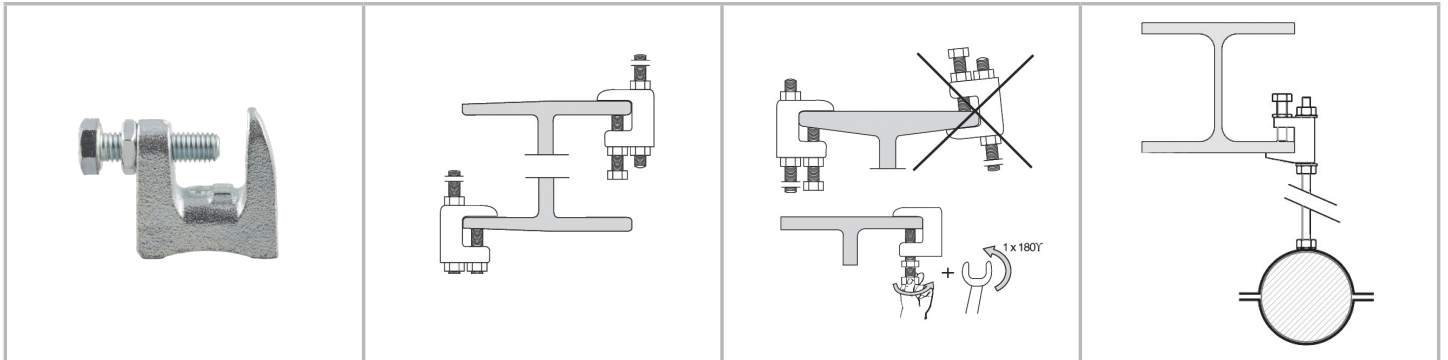
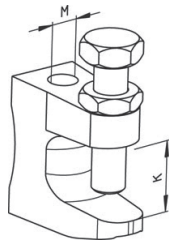
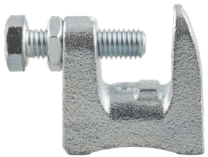
Code	Item	A	B	H	L	Pack.
90830 00 001	90830	35	81	120	280	1



90862

BEAM CLAMP

Code	Item	M	K	Pack.
90862 00 001	90862-3/8	Ø 3/8	3/4"	5
90862 00 002	90862-1/2	Ø 1/2	3/4"	5



90870

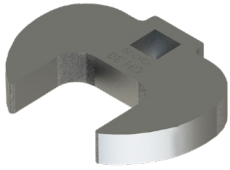
PIPE CUTTER

Code	Item	Pack.
90870 00 001	90870-20	6 - 63
90870 00 002	90870-50	50 - 110
90870 00 003	90870-110	110 - 168



90876

TORQUE SPANNER



Code	Item	D	CH	KEY BOX	Pack.
90876 00 001	90876-20	20	30	3/8	1
90876 00 002	90876-25	25	35	3/8	1
90876 00 003	90876-32	32	45	1/2	1
90876 00 004	90876-40	40	55	1/2	1
90876 00 005	90876-50	50	65	3/4	1
90876 00 006	90876-63	63	70	3/4	1
Aluminium					
90876 00 005 A	90876A - 50	50	68	3/4	1
90876 00 006 A	90876A - 63	63	75	3/4	1

90880

DE-BURRER



Code	Item	Pack.
90880 00 001	90880	20 - 25 - 32 - 40

90881

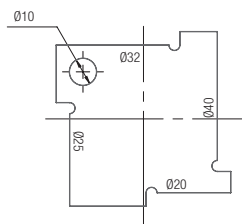
PREMIUM DE-BURRER



Code	Item	Pack.
90881 00 001	90881	20 - 25 - 32 - 40 - 50

90885

TUBE DEPTH MARKING TOOL



Code	Item	Pack.
90885 00 001	90885	20 - 25 - 32 - 40

VAL01N

DEMO CASE



Code	Item	Pack.
VAL01N	VAL01N	1
-	Straight Male Adapter 20 mm x 1/2 NPTF	
-	Straight Female Adapter 20 mm x 1/2 NPTF	
-	Elbow Connector 20 mm	
-	Outlet Reducing Tee 25 mm x 20 mm	
-	Saddle Clamp 32 mm x 20 mm	
-	Female Saddle Clamp Connector 25-1/2 NPTF	
-	Inclined Double Outlet 20-1/2 NPTF	
-	Infinity Catalog	

VAL03

TOOL KIT



Code	Item	Pack.
VAL03	VAL03	1
-	90241-25 Hole Saw For Saddle Clamp Conector - 25 mm	
-	90241-32/40 Hole Saw For Saddle Clamp Conector - 32/40 mm	
-	90242-32 Drilling Jig - 32 mm	
-	90242-40 Drilling Jig - 40 mm	
-	90249-25 Compact Drilling Jig - 25 mm	
-	90870-20-63 Pipe Cutter	
-	90880 Deburrer	
-	90885 Dima Mark Tube	
-	InfinityCatalog	
-	Infinity Pen	

90889

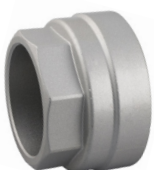
LABEL INFINITY VACUUM

Code	Item	Pack.
90889 00 001	90889	10



90680

NUT



Code	Item	D	L	E	CH2	Pack.
90680 00 001	90680-20	20	33	34.5	30	10
90680 00 002	90680-25	25	39	42.5	35	6
90680 00 003	90680-32	32	46.5	52	45	4
90680 00 004	90680-40	40	53	63	55	4
90680 00 005	90680-50	50	62	73	65	2
90680 00 006	90680-63	63	58	92	70	2
Aluminium						
90680 00 005A	90680A-50	50	73.5	84	68	1
90680 00 006A	90680A-63	63	64	94	75	1

90680 Ø 80-110-168

NUT



Code	Item	D	L	E	Pack.
90680 00 007	90680-80	80	49.5	145	1
90680 00 008	90680-110	110	68	200	1
90680 00 009	90680-168	168	85	306	1

CONDENSED DRAIN

APPLICATION EXAMPLE

90259



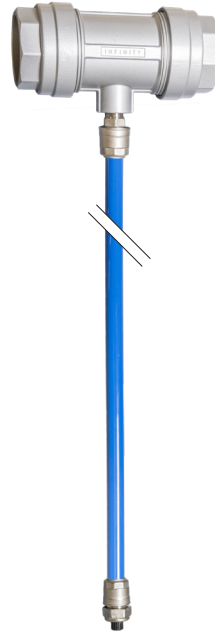
90031 - 20 1/2
90976 5D 242

90259



90260 - 20

90251
90011 - 20 1/2



90260 - 20

90259



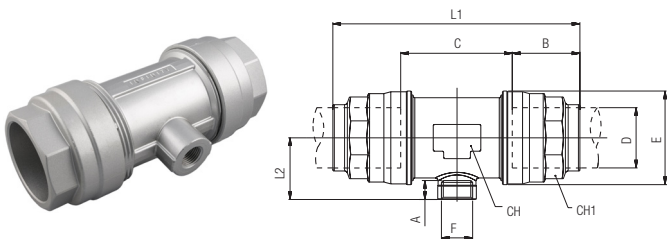
90011 - 20 1/2
90988 - 1/2

90251

FEMALE FITTING WITH CONDENSE EXHAUST INCORPORATED

NPTF

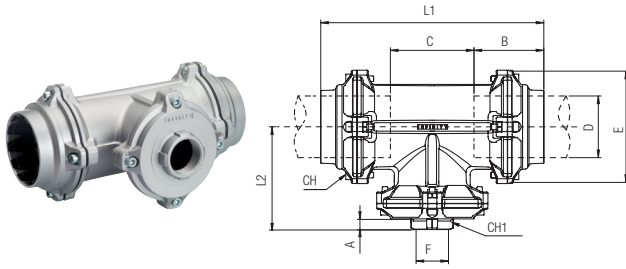
Code	Item	D	F(NPTF)	A	B	C	E	L1	L2	CH	CH1	Pack.
Aluminium												
90251 00 017 A	90251A-63-08	63	1/2	13.5	57.5	88	94	203	53	80	75	1



90251 Ø 80-110-168 NPTF

FEMALE FITTING WITH CONDENSE EXHAUST INCORPORATED

Code	Item	D	F(NPTF)	A	B	C	E	L1	L2	CH	CH1	Pack.
90251 00 002	90251-80-12	80	3/4	14.5	91	109	145	291.5	138	6	42	1
90251 00 001	90251-110-12	110	3/4	14	91	109	145	400	180	6	42	1
90237 00 021	90237-168-12	168	3/4	14.5	194	235	306	623	275	10	41.5	1

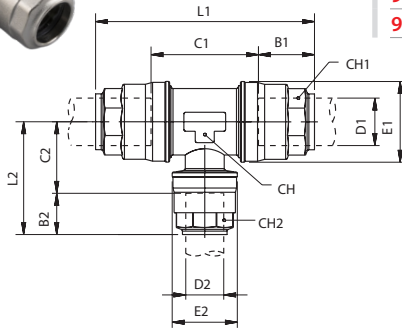


90259

New

FITTING WITH CONDENSE EXHAUST INCORPORATED

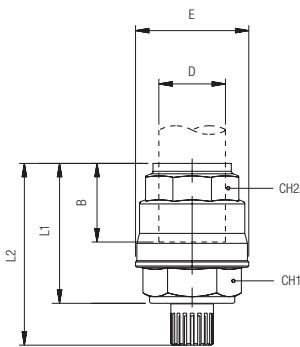
Code	Item	D1	D2	B1	B2	C1	C2	E1	E2	L1	L2	CH	CH1	CH2	Pack.
90259 00 002	90259-25-20	25	20	46	31.5	54.5	31.5	52	34.5	146.5	63	45	45	30	1
90259 00 003	90259-32-20	32	20	46	38	54.5	31.5	52	42.5	146.5	70	45	45	35	1
90259 00 004	90259-40-20	40	20	52.5	31.5	60	34.5	63	34.5	165.5	66	55	55	30	1
90259 00 005	90259-50-20	50	20	52.5	38	60	34.5	63	42.5	165.5	73	55	55	35	1
90259 00 006	90259-63-20	63	20	59	31.5	86	49.5	92	34.5	204.5	81	80	70	30	1
Aluminium															
90259 00 004 A	90259A-40-20	40	20	52	33	85	52	69	40	187.5	83.5	57	55	30	1
90259 00 005 A	90259A-50-20	50	20	58.5	33	105	57	84	40	222	90	69	68	30	1
90259 00 006 A	90259A-63-20	63	20	57.5	33	87.5	64.5	94	40	205.5	97	80	75	30	1



90260

FITTING WITH CONDENSE EXHAUST INCORPORATED

Code	Item	D	B	E	L1	L2	CH1	CH2	Pack.
90260 00 001	90260-20	20	36	34.5	52.5	67	32	30	2



90988

CONDENSE DRAIN

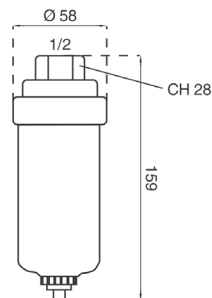
Code	Item	F	Function	Pack.
90988 00 001	90988 00 001	1/2 NPTF	MANUAL/SEMI-AUTOMATIC	1
90988 00 002	90988 00 002	1/2 NPTF	AUTOMATIC	1



90988 00 001
MANUAL/SEMI-AUTO



90988 00 002
AUTOMATIC

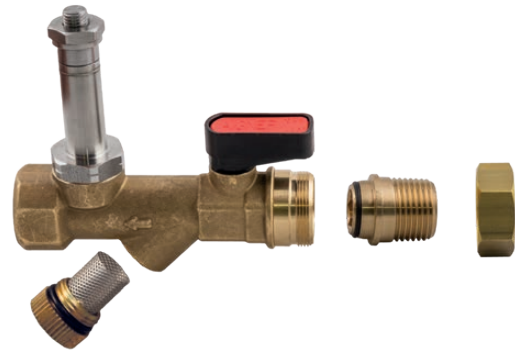


CONDENSED DRAIN VALVE



TECHNICAL CHARACTERISTICS

2/2 NC



Component Parts and Materials

- 1 Body: Brass
- 2 Seals: NBR
- 3 Welded armature tube: Stainless steel
- 4 Fixed and mobile core: Stainless steel
- 5 Springs: Stainless steel



Operator diameter

13 mm



Maximum allowable pressure

232 PSI (16 bar)



Degree of filtration

500 µm



Room temperature with coil class H

**14° F ~ 158° F
-10° C ~ +70° C**



Fluids

Air / inert gas / water max 75 °C



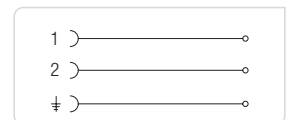
Digital timer DIN 43650A (Features)

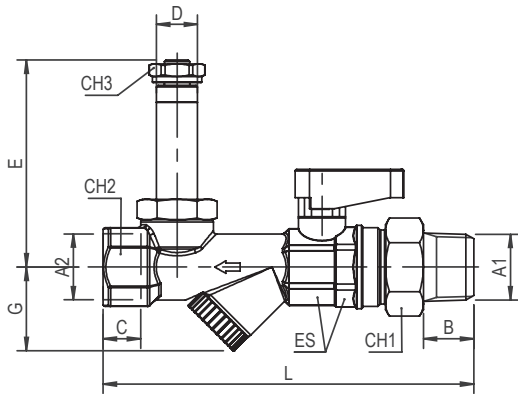
- **Insulation Voltage: 100V AC - 1 minute**
- **Insulation Resistance: 50MΩ (500VDC)**
- **IP65 - EN6052**
- **Output Current: 1.5 A Max**
- **1 Sec. - 100 Hours -> ON**
- **1 Sec. - 100 Hours -> OFF**
- **4 DIGIT: Mode/Add/Enter/Reset**



Schema elettrico

- Wiring*
- Elektroschema*
- Schéma électrique*
- Esquema eléctrico*
- Esquema elétrico*





UL 429 & CSA C22.2 NO. 139-13

Ø mm	Viscosity		Kv m ³ /h	Power		ΔP bar	
	Max cSt	EXH		Voltage 110V AC / 50-60 Hz		Min	Max
			VA				
3	53	0.21	21	0	30		

Code	Item	A1(NPTF)	A2(NPTF)	B	C	D	CH1	CH2	CH3	L	E	ES	G	Cable	Pack
909764 D2 4 2	90976-06-08	3/8	1/2	11.5	12	13	27	25	16	113.5	65.5	22 - 23	26.5	2 MT / 6.5 ft.	1
909765 D2 4 2	90976-08-08	1/2	1/2	16	12	13	27	25	16	117.5	65.5	22 - 23	26.5	2 MT / 6.5 ft.	1

DISTRIBUTION SYSTEM FOR COMPRESSED AIR, INERT GASES AND VACUUM



Serie 14 mm

CALIBRATED ALUMINIUM TUBES - 2.5 METERS (8 ft)

COLORS

 **LB** LIGHT BLUE

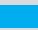
 **GR** GREY

 **NE** BLACK

90000 - 2.5 m (8 ft)

CALIBRATED ALUMINIUM TUBES LIGHT BLUE COLOUR

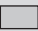


Code	Item	Ø	Color	Wall Thickness	Max Pressures	Weight	Lenght	Pack.
		mm		mm	bar	g/m	m	
90000 25 014 AZ	90000LB-25-14	14	LB	1.5	16	235	2.5 m	10

90000 - 2.5 m (8 ft)

CALIBRATED ALUMINIUM TUBES GREY COLOUR

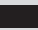


Code	Item	Ø	Color	Wall Thickness	Max Pressures	Weight	Lenght	Pack.
		mm		mm	bar	g/m	m	
90000 25 014 GR	90000GY-25-14	14	GR	1.5	16	235	2.5 m	10

90000 - 2.5 m (8 ft)

CALIBRATED ALUMINIUM TUBES BLACK COLOUR

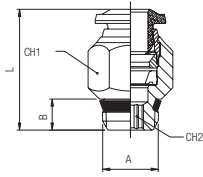


Code	Item	Ø	Color	Wall Thickness	Max Pressures	Weight	Lenght	Pack.
		mm		mm	bar	g/m	m	
90000 25 014 NE	90000BK-25-14	14	NE	1.5	16	235	2.5 m	10

5000N

STRAIGHT MALE

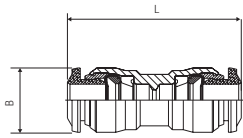
Code	Item	Tube	A	B	L	CH1	CH2	Pack
55000 00 019	5000N-14-3/8	14	3/8	7,5	32,5	21	9	10
55000 00 020	5000N-14-1/2	14	1/2	9	31,5	21	10	10



50040N

UNION

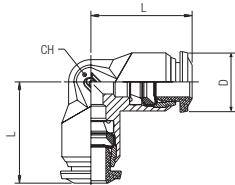
Code	Item	Tube	Tube	L	B	Pack
50040 00 N10	50040N-14	14	14	49	21,5	10



50130N

UNION ELBOW

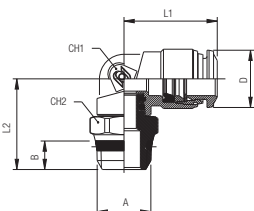
Code	Item	Tube	L	CH	D	Pack
50130 00 N08	50130N-14	14	32,5	19	21,5	10



50111N

SWIVEL ELBOW

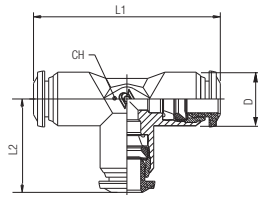
Code	Item	Tube	A	B	L1	L2	CH1	CH2	D	Pack
50111 00 N15	50110N-14-3/8	14	3/8	7,5	31,5	27	16	20	21,5	10
50111 00 N16	50110N-14-1/2	14	1/2	9	31,5	29,5	16	21	21,5	10



50230N

UNION TEE

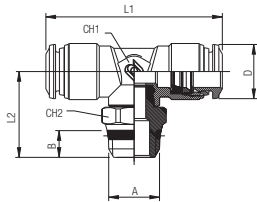
Code	Item	Tube	L1	L2	CH	D	Pack
50230 00 N08	50230N-14	14	65,5	32,5	19	21,5	10



50211N

SWIVEL BRANCH TEE

Code	Item	Tube	A	B	L1	L2	CH1	CH2	D	Pack
50211 00 N15	50211N-14-3/8	14	3/8	7,5	62,5	29,5	16	20	21,5	10
50211 00 N16	50211N-14-1/2	14	1/2	9	62,5	32	16	21	21,5	10

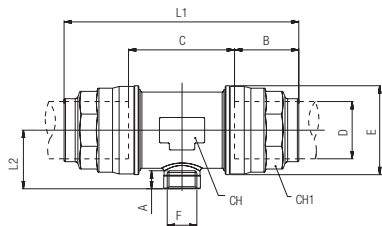


90237

FEMALE OUTLET REDUCING TEE

NPTF

Code	Item	D	F(NPTF)	A	B	C	E	L1	L2	CH	CH1	Pack.
90237 00 007	90237-20-08	20	1/2	13.5	31.5	48	34.5	109	25	28	30	3

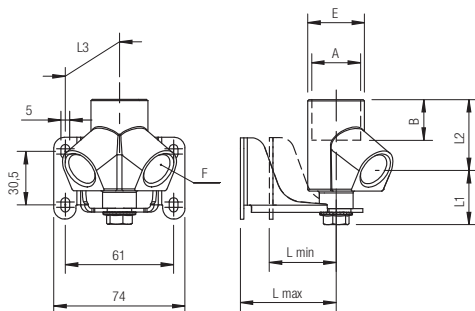


90663

THREADED INCLINED DOUBLE OUTLET

NPTF

Code	Item	A(NPTF)	F(NPTF)	B	E	L1	L2	L3	L _{min}	L _{max}	Pack.
90663 00 001	90663-08-08	1/2	1/2	13.5	32	31	40.5	37.5	22	54	2

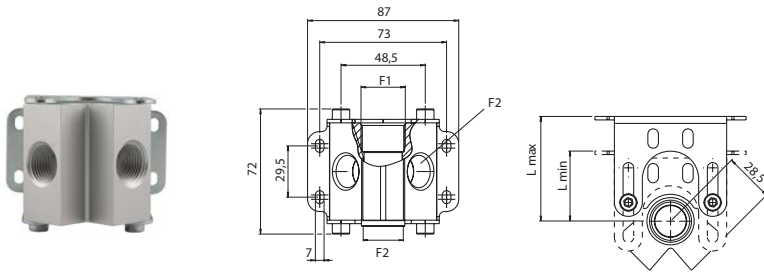


90643

2 WAY MANIFOLD

NPTF

Code	Item	F1(NPTF)	F2(NPTF)	N°	Lmax	Lmin	Pack.
90643 00 001	90643-08-08	1/2	1/2	2	60	35	1

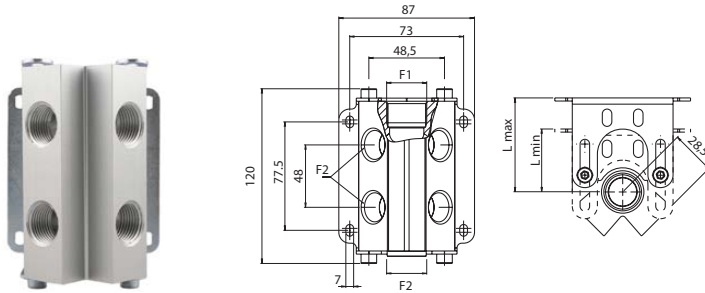


90645

4 WAY MANIFOLD

NPTF

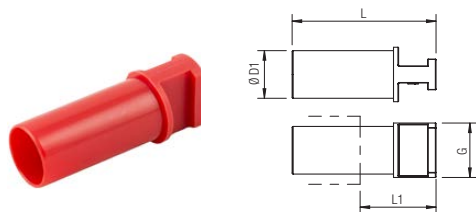
Code	Item	F1(NPTF)	F2(NPTF)	N°	Lmax	Lmin	Pack.
90645 00 001	90645-08-08	1/2	1/2	4	60	35	1



50610

POLYAMIDE PLUG

Code	Item	ØD1	G	L	L1	Pack.
50610 00 31 Y3 RO	50610-14	14	16	42	19.5	10



80191

1/4" MALE MULTI-SOCKET



Code	Item	A NPTF
80191 00 001	80191-04	1/4
80191 00 002	80191-06	3/8
80191 00 003	80191-08	1/2

80192

1/4" FEMALE MULTI-SOCKET



Code	Item	A NPTF
80192 00 001	80192-04	1/4
80192 00 002	80192-06	3/8
80192 00 003	80192-08	1/2

80221

1/4" INDUSTRIAL MALE STUD



Code	Item	A NPTF
80221 00 01 03 NB	80221-04	1/4
80221 00 01 04 NB	80221-06	3/8
80221 00 01 05 NB	80221-08	1/2

80222

1/4" INDUSTRIAL FEMALE STUD



Code	Item	A NPTF
80222 00 01 03 NB	80222-04	1/4
80222 00 01 04 NB	80222-06	3/8
80222 00 01 05 NB	80222-08	1/2

80231

3/8" INDUSTRIAL MALE STUD



Code	Item	A NPTF
80231 00 01 04 NB	80231-06	3/8
80231 00 01 05 NB	80231-08	1/2

80232

3/8" INDUSTRIAL FEMALE STUD



Code	Item	A NPTF
80232 00 01 04 NB	80232-06	3/8
80232 00 01 05 NB	80232-08	1/2

80621

1/4" INDUSTRIAL MALE SAFETY COUPLER



Code	Item	A NPTF
80621 00 001	80621-04	1/4
80621 00 002	80621-06	3/8
80621 00 003	80621-08	1/2

80622

1/4" INDUSTRIAL FEMALE SAFETY COUPLER



Code	Item	A NPTF
80622 00 001	80622-04	1/4
80622 00 002	80622-06	3/8
80622 00 003	80622-08	1/2

82320

1/2" SWIFT-FIT PLUG



Code	Item	A NPTF
82320 00 005	82320-08	1/2

82600

WYE OUTLET



Code	Item	A NPTF
82600 00 01 05 NB	82600-08-08	1/2

86300

FEMALE X FEMALE MINI BALL VALVE



Code	Item	A NPTF
86300 00 003	86300-06-06	3/8
86300 00 004	86300-08-08	1/2

86310

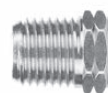
MALE X FEMALE MINI BALL VALVE



Code	Item	A NPTF
86310 00 003	86310-06-06	3/8
86310 00 004	86310-08-08	1/2
86310 00 005	86310-12-12	3/4

82280

MALE X FEMALE REDUCER



Code	Item	A NPTF
82280 00 01 AE NB	82280-08-04	1/2

80197

3/8" MALE MULTI-SOCKET



Code	Item	A NPTF
80197 00 001	80197-06	3/8
80197 00 002	80197-08	1/2

80198

3/8" FEMALE MULTI-SOCKET



Code	Item	A NPTF
80198 00 001	80198-06	3/8
80198 00 002	80198-08	1/2

83190

1/4" Male SWIFFFIT - 316L



Code	Item	A NPTF
83190 00 002	83190-04	1/4
83190 00 003	83190-06	3/8
83190 00 004	83190-08	1/2

83191

1/4" STAINLESS STEEL MALE MULTI-SOCKET



Code	Item	A NPTF
83191 00 001	83191-04	1/4

83192

1/4" STAINLESS STEEL FEMALE MULTI-SOCKET



Code	Item	A NPTF
83192 00 001	83192-04	1/4

83221

1/4" STAINLESS STEEL INDUSTRIAL MALE STUD



Code	Item	A NPTF
83221 AX 44 03 00	83221-04	1/4

83222

1/4" STAINLESS STEEL INDUSTRIAL FEMALE STUD



Code	Item	A NPTF
83222 AX 44 03 00	83222-04	1/4

N100 Mini



Code	Size
N100 002 231 100	FR+L0
N100 003 231 100	FR+L0

Thread	Filtration
1/8"	20µm
1/4"	20µm

Regulation	Pack.
0 ÷ 8 bar	1
0 ÷ 8 bar	1

N100



Code	Size
N100 104 231 100	FR+L1
N100 205 231 100	FR+L2
N100 309 231 100	FR+L3

Thread	Filtration
3/8"	20 µm
1/2"	20 µm
1"	20 µm

Regulation	Pack.
0 ÷ 8 bar	1
0 ÷ 8 bar	1
0 ÷ 8 bar	1

MAN01/02

MANOMETER BACK CONNECTION



Code	Item	Bar
MAN01 N2 020 000		0 ÷ 4
MAN01 N2 050 000		0 ÷ 6
MAN01 N2 060 000		0 ÷ 10
MAN01 N2 040 000		0 ÷ 12
MAN02 N2 050 000		0 ÷ 6
MAN02 N2 040 000		0 ÷ 12

87861-90

FITTING KIT



Code	Description
87000-04-04	Straight Male - 1/4 Tube x 1/4 Male
87000-06-06	Straight Male - 3/8 Tube x 3/8 Male
87000-08-08	Straight Male - 1/2 Tube x 1/2 Male
87110-04-04	Swivel Elbow - 1/4 Tube x 1/4 Male
87110-06-06	Swivel Elbow - 3/8 Tube x 3/8 Male
87110-08-08	Swivel Elbow - 1/2 Tube x 1/2 Male
87210-04-04	Swivel Branch Tee - 1/4 Tube x 1/4 Male
87210-06-06	Swivel Branch Tee - 3/8 Tube x 3/8 Male
87210-08-08	Swivel Branch Tee - 1/2 Tube x 1/2 Male
88040-04	Union - 1/4 Tube
88040-06	Union - 3/8 Tube
88040-08	Union - 1/2 Tube
88130-04	Union Elbow - 1/4 Tube
88130-06	Union Elbow - 3/8 Tube
88130-08	Union Elbow - 1/2 Tube
88230-04	Union Tee - 1/4 Tube
88230-06	Union Tee - 3/8 Tube
88230-08	Union Tee - 1/2 Tube

50861-N90

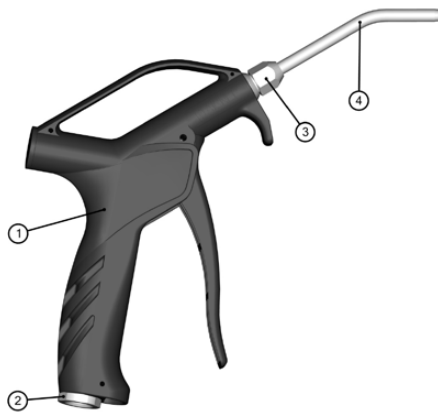
FITTING KIT



Code	Description
50000N-6-1/800	Sf St MI 6mm Tb x 1/8
50000N-6-1/400	Sf St MI 6mm Tb x 1/4
50000N-8-1/800	Sf St MI 8mm Tb x 1/8
50000N-8-1/400	Sf St MI 8mm Tb x 1/4
50000N-8-3/800	Sf St MI 8mm Tb x 3/8
50000N-10-1/400	Sf St MI 10mm Tb x 1/4
50000N-10-3/800	Sf St MI 10mm Tb x 3/8
50110N-6-1/800	Sf Svl MI El 6mm Tb x 1/8
50110N-6-1/400	Sf Svl MI El 6mm Tb x 1/4
50110N-8-1/400	Sf Svl MI El 8mm Tb x 1/4
50110N-8-3/800	Sf Svl MI El 8mm Tb x 3/8
50110N-10-3/800	Sf Svl MI El 10mm Tb x 3/8
50110N-10-1/200	Sf Svl MI El 10mm Tb x 1/2
50040N-600	Union 6mm Tb
50040N-800	Union 8mm Tb
50040N-1000	Union 10mm Tb
50230N-600	Union T 6mm Tb
50230N-800	Union T 8mm Tb
50230N-1000	Union T 10mm Tb



TECHNICAL CHARACTERISTICS



Media

- Compressed Air
- Water

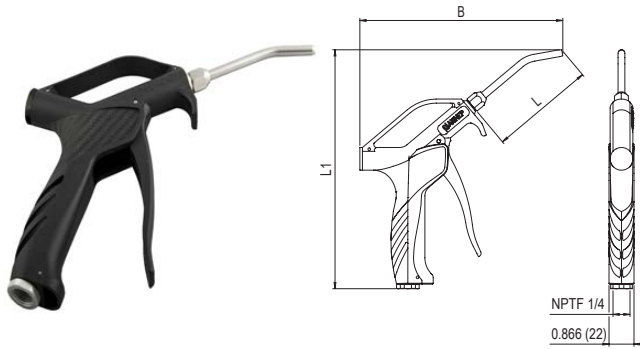


Component Parts and Materials

- 1 Technopolymer Body
- 2 Anodized aluminum Back Connection
- 3 Nickel-plated Brass Locking Nut
- 4 Stainless Steel AISI 304 Nozzle

WB361

BLOW GUN WITH STAINLESS STEEL NOZZLE

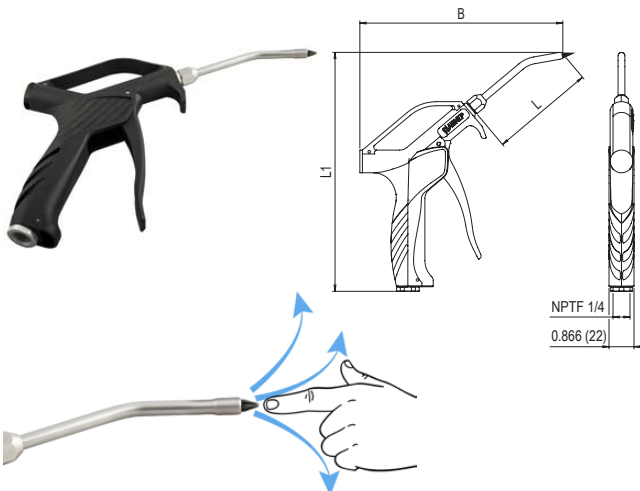


Code	L	L1	B	Pack.
WB361 00 001	90	8.287 (210,5)	7.047 (179)	10

	min	max
Temperature	- 10 °C (14 F)	+ 80 °C (176 F)
Pressure	12 bar (174 Psi) (1.2 MPa)	
Flow rate	433 NI/min @ 6 bar (87 Psi) - 533 NI/min @ 8 bar (116 Psi)	
LAeq 6 bar	89 dBA @ 6 bar (87 Psi)	
LAeq 8 bar	90 dBA @ 8 bar (116 Psi)	
Force on handl	19,8 N @ 6 bar (87 Psi)	
Blowing force	3,7 N @ 6 bar (87 Psi)	
2003/10/CE	Max 85 dBA	3 hr @ 6 bar (87 Psi) 3 hr @ 8 bar (116 Psi)
OSHA 1910.95 (b)	Max 90 dB 8 hr (116 Psi)	

WB362

SAFETY BLOW GUN WITH STAINLESS STEEL NOZZLE



Code	L	L1	B	Pack.
WB362 00 001	90	8.287 (210,5)	7.303 (185,5)	10

	min	max
Temperature	- 10 °C (14 F)	+ 80 °C (176 F)
Pressure	12 bar (174 Psi) (1.2 MPa)	
Flow rate	383 NI/min @ 6 bar (87 Psi) - 500 NI/min @ 8 bar (116 Psi)	
LAeq 6 bar	78 dBA @ 6 bar (87 Psi)	
LAeq 8 bar	84 dBA @ 8 bar (116 Psi)	
Force on handle	19,8 N @ 6 bar (87 Psi)	
Blowing force	3,4 N @ 6 bar (87 Psi)	
2003/10/CE	Max 85 dBA	8 hr @ 6 bar (87 Psi) 6 hr @ 8 bar (116 Psi)
OSHA 1910.95 (b)	Max 90 dB 8 hr	
OSHA 1910.242 (b)	Max 2,1 bar (30 Psi) when blocked	

UXSVK

INFINITY SAFETY VALVE KIT

NPT



Code	Item	Body Size	In-Out Size	Exhaust Size	Pack.
UX SVK 08 08 12	UX-SVK-08-08-12	1/2	1/2	3/4	1
UX SVK 08 12 12	UX-SVK-08-12-12	1/2	3/4	3/4	1
UX SVK 16 12 20	UX-SVK-16-12-20	1	3/4	1-1/4	1
UX SVK 16 16 20	UX-SVK-16-16-20	1	1	1-1/4	1
UX SVK 16 20 20	UX-SVK-16-20-20	1	1-1/4	1-1/4	1

* Fittings and aluminium muffler are included

UXSVKM

INFINITY SAFETY VALVE KIT-HIGH CAPACITY

NPT



Code	Item	Body Size	In-Out Size	Exhaust Size	Pack.
UX SVKM 32 24 32	UX-SVKM-32-24-32	2	1-1/2	2	1
UX SVKF 32 24 32	UX-SVKF-32-24-32	2	1-1/2	2	1

UXAWM

OIL-WATER SEPARATOR-ASSEMBLED WITH MANIFOLD



Code	Item	Size	Pack.
UX500AWM	UX500AWM	500 CFM	1
UX750AWM	UX750AWM	750 CFM	1
UX1000AWM	UX1000AWM	1000 CFM	1
UX1500AWM	UX1500AWM	1500 CFM	1
UX2000AWM	UX2000AWM	2000 CFM	1

UXDM

DECOMPRESSION MANIFOLD



Code	Item	Pack.
UXDM	UXDM	1

UXRD

REPLACEMENT DRUMS



Code	Item	Size	Pack.
UX500RD	UX500RD	500 CFM	1
UX750RD	UX750RD	750 CFM	1
UX1000RD	UX1000RD	1000 CFM	1
UX1500RD	UX1500RD	1500 CFM	1
UX2000RD	UX2000RD	2000 CFM	1

UXM1

INFINITY MICRO 50/100 CFM WALL MOUNT SYSTEM



Code	Item	Size	Pack.
UXM5001	UXM5001	50 CFM	1
UXM10001	UXM10001	100 CFM	1

UXM2

INFINITY MICRO 50/100 CFM REPLACEMENT CARTRIDGE



Code	Item	Size	Pack.
UXM5002	UXM5002	50 CFM	1
UXM10002	UXM10002	100 CFM	1

UXW

INFINITY 350 CFM SYSTEM (WHITE)



Code	Item	Size	Pack.
UX350W	UX350W	350 CFM	1

UXSP

INFINITY SUPER-PAK SERIES (BLACK)



Code	Item	Tank	Pack.
UXSP01	UXSP01	1 Unit	1
UXSP02	UXSP02	2 Units	1
UXSP03	UXSP03	3 Units	1
UXSP04	UXSP04	4 Units	1

UXPK1

INSTALLATION PARTS KIT 1 (ALL SERIES)



Code	Item	Pack.
UXPK1	UXPK1	1

- Includes:
- Eight (8) ¼ × ¼ male connectors
 - Two (2) ¼ × ¼ male elbows
 - Two (2) ¼ push fit union tee
 - 100 feet of ¼ OD × .170 ID natural LDPE tubing

UXPK2

INSTALLATION PARTS KIT 2 (ALL SERIES)



Code	Item	Pack.
UXPK2	UXPK2	1

- Includes:
- Twelve (12) ¼ × ¼ male connectors
 - Three (3) ¼ × ¼ male elbows
 - Two (2) ¼ push fit union tee
 - 150 feet of ¼ OD × .170 ID natural LDPE tubing

UXPK3

INSTALLATION PARTS KIT 3 (ALL SERIES)



Code	Item	Pack.
UXPK3	UXPK3	1

- Includes:
- Eighteen (18) ¼ × ¼ male connectors
 - Three (3) ¼ × ¼ male elbows
 - Nine (9) ¼ push fit union tee
 - 200 feet of ¼ OD × .170 ID natural LDPE tubing

UX101

INFINITY SERIES
DECOMPRESSION CHAMBER EXHAUST FILTER KIT



Code	Item	Pack
UX101	UX101	2

UX102

INFINITY SERIES SANITARY
POUCH



Code	Item	Pack
UX102	UX102	4

UX103

INFINITY SERIES ANNUAL
MAINTENANCE KIT



Code	Item	Pack
UX103	UX103	1

UX1201

INFINITY/350 SERIES DRUM
CART



Code	Item	Pack
UX1201	UX1201	1

UX1202

INFINITY/350 SERIES
CONTAINMENT BASIN



Code	Item	Pack
UX1202	UX1202	1

UX1203

INFINITY/350 SERIES AUXILIARY
DISCHARGE PUMP SYSTEM



Code	Item	Pack
UX1203	UX1203	1

UXDC01

DECOMPRESSION MANIFOLD
PRE-PROGRAMMED MANIFOLD TIMER DRAIN



Code	Item	Pack
UXDC01	UXDC01	1

UXDC02

DECOMPRESSION MANIFOLD
INLET BUSHING KIT



Code	Item	Pack
UXDC02	UXDC02	1

UX2110

350-TO-INFINITY MANIFOLD
AND CONVERSION KIT



Code	Item	Pack
UX2110	UX2-110	1

UX201

350 SERIES INLET HUB



Code	Item	Pack
UX201	UX201	1

UX202

350 SERIES REPLACEMENT
DEMISTER PAD FOR VENT



Code	Item	Pack
UX202	UX202	1

UXM01

INFINITY MICRO SERIES
REPLACEMENT CARTRIDGE HEAD (REPLACEMENT ONLY)



Code	Item	Pack
UXM01	UXM01	1

UXM02

INFINITY MICRO SERIES
175 PSI PARTS KIT



Code	Item	Pack
UXM02	UXM02	1

UXSP10

INFINITY SUPER-PAK INLET
PUMP AND PAIL REPLACEMENT



Code	Item	Pack
UXSP10	UXSP10	1

UXSP15

INFINITY SUPER-PAK
INLET/INFINITY DISCHARGE PUMP ONLY (NO PAIL)



Code	Item	Pack
UXSP15	UXSP15	1



TECHNICAL CHARACTERISTICS

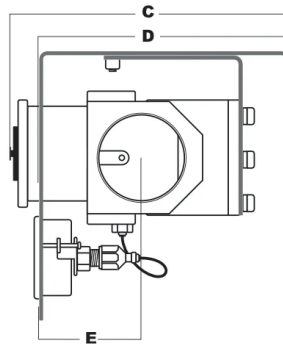
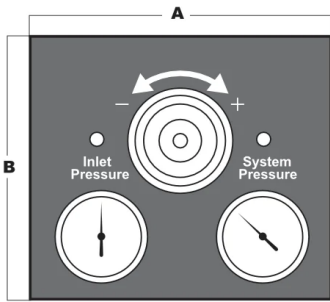


Media
• Compressed Air



PF
FLOW REGULATOR / CONTROLLER

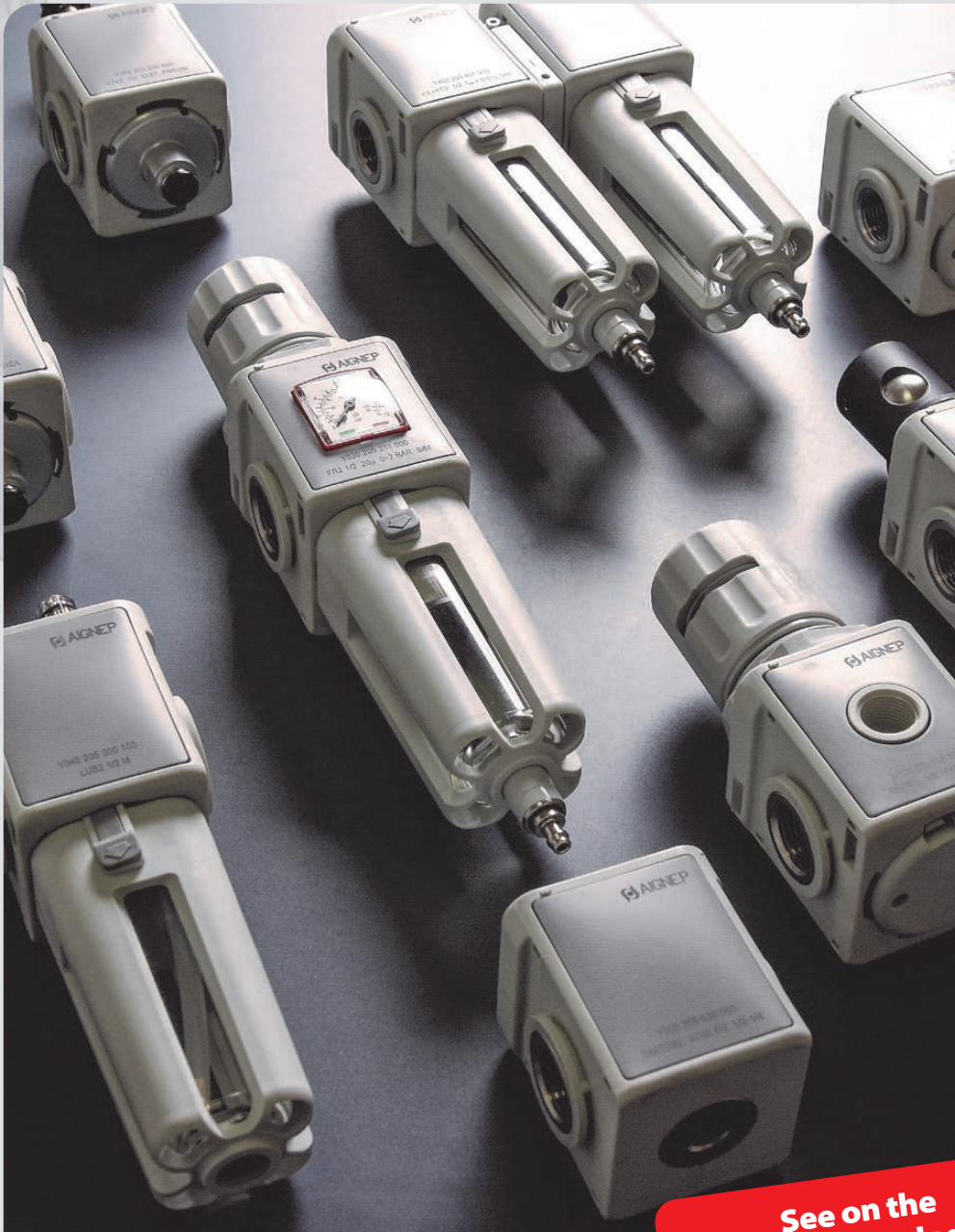
Inlet Size	Max Flow	A	B	C	D	E	Weight
1"	200 scfm	8.11"	7.28"	8.57"	7.36"	2.21"	10.45 lbs
2"	1000 scfm					2.78"	14.65 lbs



Code	Inlet Size	Max Flow	Max Inlet Pressure	Control Range	Temp. Range	Sensitivity	Repeatability
PF 01 LR	1"	200 scfm	300 psig	0-160 psig	-4° F	0.2% of full span	±0.5% of full span
PF 02 LR	2"	1000 scfm			+176° F		

FRL Evo Series

Air treatment units



See on the
General Catalogue





[Request Catalogue](#)



INFINITY 20-YEAR LIMITED WARRANTY

Limited warranty coverage

Unless otherwise specified by the product seller in a separate written product warranty accompanying the product or specified in the seller's product catalogue (in which case such other product warranty shall control), aignep usa "Aignep" warrants to the end user (as defined below) that its infinity fittings and aluminum tubes "products" shall be free from substantial defects in materials and workmanship for a period of twenty (20 years) from the installation date (as defined below).

For purposes of this warranty, "end user" shall mean the facility in which the products are first installed; "installation date" shall mean the date on which the products are first installed at the end user's facility.

Exclusions from limited warranty coverage

This warranty does not cover the following:

- Normal wear and tear;
- Damage or failure resulting from:
 - Use of any non-aignep parts or components with the products;
 - Use of unacceptable fluids with the products (acceptable fluids are filtered and dried compressed air, vacuum and inert gases);
 - Failure to properly store, install, operate, use, or maintain the products in compliance with aignep's published specifications and instructions;
 - Intentionally bent, welded, twisted, or deformed tubes;
 - Alteration, abuse, misuse, neglect, or accident;
 - Installation in an inappropriate or aggressive environment (at a minimum, the products must be installed and used in an environment that is compatible with aluminum, brass, and nbr seals);
 - Failure to protect the installation against mechanical shocks and vibrations;
 - Disaster (e.G., Fire, flood, wind, freezing) or other causes beyond the control of aignep; and
- Damage or alterations by third parties other than aignep or an aignep authorized representative.
- **Failure to use the products in accordance with the applicable instructions and guidelines will void your warranty coverage and could create a safety risk.** Actions that will void this warranty include, but are not limited to, the following:
 - Use of non-genuine parts with the products;
 - Use of the products with water or other unacceptable fluids; and
 - Use of the products in an unacceptable or aggressive environment.
- **Installer must adhere to all applicable plumbing, fire, and building codes. Failure to do so will void this warranty and could create a safety risk.**

Warranty period

The warranty period runs for twenty (20 years) from the installation date. Any replacement products provided pursuant to this warranty will not extend the warranty period, the warranty period for such replacement products will run from the original installation date.

These warranty terms apply to the end user only.

Coverage under this warranty terminates if the end user sells or otherwise transfers the products, or if the end user sells or otherwise transfers the facility in which the products are installed.

What aignep will do for warranty claims

If, after inspecting the products, aignep determines that you have a valid warranty claim based on the terms set forth in this warranty, aignep will either (i) replace the products, or (ii) in aignep's sole and exclusive discretion, refund the amount that end user paid for such products at the time of end user's original purchase.

What you must do to obtain warranty service

To obtain warranty service, you must provide written notice of your potential warranty claim to aignep within ten (10) days of the time you discover, or should have discovered, the potential warranty claim. You must also provide documentation showing the date on which the products were first installed at your facility. This written notice and documentation must be sent to aignep via mail to the following address:

Aignep usa
 Attn: service department
 7121 Loblolly pine blvd.
 Fairview, tn 37062

Limitation of remedies

Under no circumstances will aignep be liable to end user or any other person for injury or damages of any kind when the product is misused or not used in accordance with aignep's published specifications and instructions. The above remedies shall be end user's sole remedies under the terms of this limited warranty. In no event will aignep's liability exceed the purchase price of the product. Aignep shall not be liable for any consequential, punitive, or incidental damages, including but not limited to damages for installation labor; loss of production, profit, or revenue; lost business; or business interruption.

Implied warranties

Except as expressly provided in these terms and conditions, all implied warranties are excluded to the fullest extent permitted by law. In particular, aignep makes no warranty regarding the merchantability of the products or their suitability or fitness for any particular purpose, and disclaims any other warranties, express or implied.

