

# Valves

## Solenoid Pilot Valves



**01V**  
Pg. 14.4

## Externally Piloted Solenoid Valves



**01V - X1V**  
Pg. 14.10

## Air Pilot Valves



**01V**  
Pg. 14.24

## Manual Valves



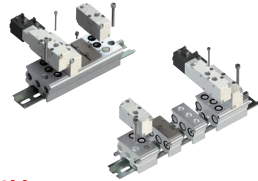
**01V - X1V**  
Pg. 14.30

## Mechanically Actuated Valves



**01V**  
Pg. 14.40

## Din Rail Mounted, Fixed Length and Modular Manifold Bases



**01V**  
Pg. 14.43

## Micro Valves



**02V**  
Pg. 14.49

## 16 mm Valves



**03V**  
Pg. 14.52

## Micro Valves, Panel Mounted



**04V**  
Pg. 14.56

## Individual and Manifold Base Mounted Valves



**05V**  
Pg. 14.59

## Pedal Valves



**06V**  
Pg. 14.67

## Solenoid Valves



**07V**  
Pg. 14.69

## Miniature Solenoid Valves 10 mm



**07V**  
Pg. 14.71

## Miniature Solenoid Valves 15 mm



**07V**  
Pg. 14.73

## NAMUR Standard Valves



**08V**  
Pg. 14.77

## Valves ISO 5599 - Size 1



**10V**  
Pg. 14.84

## Valves ISO 5599 - Size 2



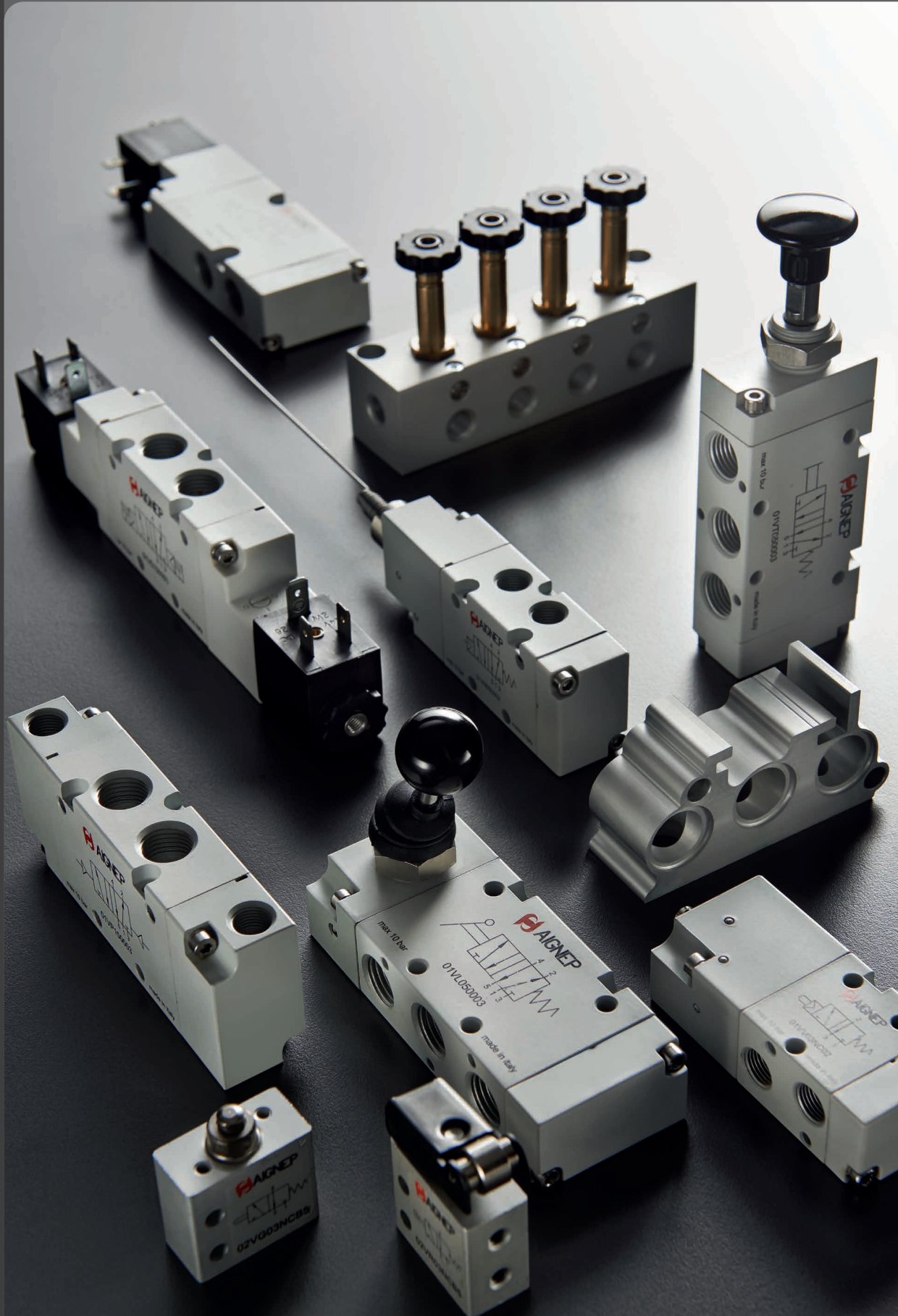
**11V**  
Pg. 14.88

## Solenoids and Connectors



Pg. 14.20 - Pg. 14.23

MANUAL, MECHANICAL, AIR PILOT AND SOLENOID PILOT VALVES



MICRO VALVES

**02V**



**MECHANICALLY ACTUATED MICRO VALVES**



**TECHNICAL CHARACTERISTICS**



**Reference Standard**

- 1907/2006  
**REACH** ✓
- 2011/65/CE  
**RoHS** ✓
- PED  
2014/68/UE



**Component Parts and Materials**

- Anodised aluminium body
- Stainless Steel Spring
- NBR seals

		M5
	THREAD	M5
	6 bar FLOW RATE with Δp 1 bar	100 NI/min
	OPERATING PRESSURE	2 ÷ 10 bar 29 ÷ 145 psi
	DRIVING FORCE	6 N
	TEMPERATURE	min -10 °C 14 °F
		max +60 °C 140 °F

Series	Actuation	Reactuation	Function	Size
--------	-----------	-------------	----------	------

**0 2 V**

**G**

**0**

**3**

**N C**

**B 5**

- G** = Tappet
- R** = Short Roller
- U** = Uni-directional Roller
- E** = Panel Mounting Tappet Microvalve

**0** = Monostable spring return

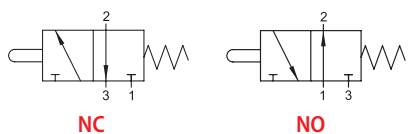
**3** = 3/2

**NO** = Normally open  
**NC** = Normally closed

**B5** = M5 (metric)

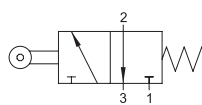
**3/2**

**TAPPET - SPRING RETURN**



**3/2**

**SHORT ROLLER - SPRING RETURN**

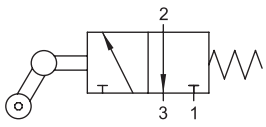


Part No.	Function	Size	Pack.
<b>02V G0 3 NC B5</b>	3/2 <b>NC</b>	M5 (metric)	1
<b>02V G0 3 NO B5</b>	3/2 <b>NO</b>	M5 (metric)	1

Part No.	Function	Size	Pack.
<b>02V R0 3 NC B5</b>	3/2 <b>NC</b>	M5 (metric)	1

**3/2**

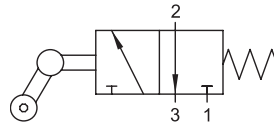
**UNI-DIRECTIONAL ROLLER - SPRING RETURN**



Part No.	Function	Size	Pack.
<b>02V U0 3 NC B5</b>	3/2 <b>NC</b>	M5 (metric)	1

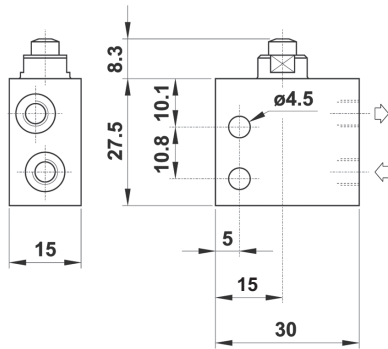
**3/2**

**PANEL MOUNTING TAPPET MICROVALVE - SPRING RETURN**

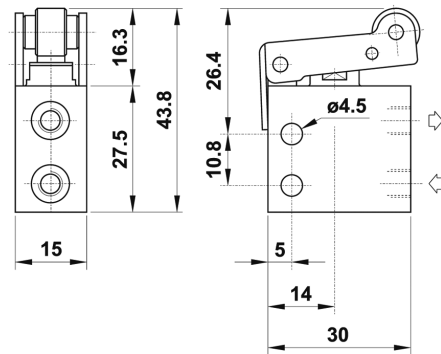


Part No.	Function	Size	Pack.
<b>02V E0 3 NC B5</b>	3/2 <b>NC</b>	M5 (metric)	1

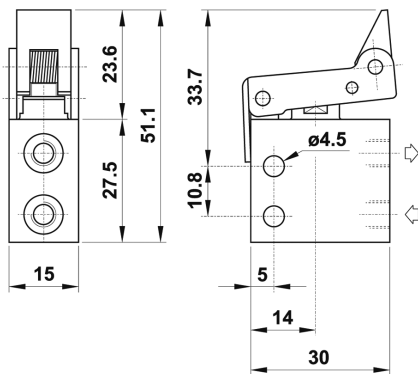
**02V G0 3 NC B5**



**02V R0 3 NC B5**



**02V U0 3 NC B5**



**02V E0 3 NC B5**

