



 <b>90000</b> Pag. 14	 <b>90011</b> Pag. 16	 <b>90012</b> Pag. 16	 <b>90014</b> Pag. 16	 <b>90017</b> Pag. 16	 <b>90019</b> Pag. 17	 <b>90021</b> Pag. 17	 <b>90031</b> Pag. 17	 <b>90040</b> Pag. 18
 <b>90130</b> Pag. 18	 <b>90140</b> Pag. 19	 <b>90230</b> Pag. 19	 <b>90235</b> Pag. 20	 <b>90237</b> Pag. 20	 <b>90240</b> Pag. 21	 <b>90248</b> Pag. 21	 <b>90241</b> Pag. 22	 <b>90242</b> Pag. 22
 <b>90249</b> Pag. 22	 <b>90242</b> Pag. 24	 <b>90249</b> Pag. 24	 <b>90610</b> Pag. 25	 <b>90620</b> Pag. 25	 <b>90621</b> Pag. 26	 <b>90626</b> Pag. 26	 <b>90628</b> Pag. 26	 <b>90631</b> Pag. 26
 <b>90643</b> Pag. 27	 <b>90645</b> Pag. 28	 <b>90601</b> Pag. 29	 <b>90603</b> Pag. 29	 <b>90661</b> Pag. 29	 <b>90663</b> Pag. 30	 <b>90665</b> Pag. 30	 <b>90700</b> Pag. 30	 <b>90705</b> Pag. 31
 <b>90710</b> Pag. 31	 <b>90721</b> Pag. 31	 <b>90726</b> Pag. 31	 <b>90818</b> Pag. 32	 <b>90817</b> Pag. 32	 <b>90811</b> Pag. 33	 <b>90821</b> Pag. 33	 <b>90823</b> Pag. 33	 <b>90830</b> Pag. 34
 <b>90862</b> Pag. 34	 <b>90870</b> Pag. 34	 <b>90880</b> Pag. 34	 <b>90880</b> Pag. 34	 <b>90885</b> Pag. 35	 <b>VAL01</b> <b>VAL03</b> Pag. 35	 <b>90889</b> Pag. 35	 <b>90889</b> Pag. 36	 <b>90889</b> Pag. 36
 <b>90251</b> Pag. 37	 <b>90259</b> Pag. 38	 <b>90260</b> Pag. 38	 <b>90975</b> Pag. 40	 <b>Accessories</b> Pag. 41				

DISTRIBUTION SYSTEM FOR COMPRESSED AIR, INERT GASES AND VACUUM



*"Aignep has been the sole inventor and manufacturer of INFINITY products since our launch of the line in 2000"*

**Serie Infinity**

The INFINITY piping system for compressed air, vacuum, and inert gases is designed and manufactured by Aignep. This product line was born in 2000 to meet the growing needs of the market, innovating a new piping system as a better, more efficient solution to traditional iron piping. The unique technology of push-in fittings has now been implemented for all diameters. This limits the use of heavy, expensive and labor-intensive tools for installation, while maintaining a robust, safe, all-metal piping system. MADE IN ITALY.

#### Main advantages

- Easy Push-in Fittings
- Simple, Quick And Safe Installations
- Energy Efficient And Eco-friendly
- Full Metal System From Ø 20mm to Ø 168mm
- Patented Water Trapping System

#### Industries Served

- Distribution Centers
- General Manufacturing
- Food & Beverage
- Packaging Facilities
- Automotive Manufacturing
- Machine Shops
- Steel Production
- Auto Service Facilities

## ON-SITE EXAMPLES



ISO CERTIFIED



Aignep is certified to UNI EN ISO 9001:2015: international standard for company quality management systems.

COMPLIANCE 2014/68/UE



Infinity® products satisfy the requirements of 2014/68/UE (PED: Pressure Equipment Directive).

REACH COMPLIANCE



All Infinity® products comply with REACH standard EC N°1907 / 2006 concerning restrictions of chemical hazardous substances.

ROHS COMPLIANCE



All Infinity® products comply with ROHS directives: 2011/65/UE concerning restrictions of dangerous substances in appliances.

ASME B31.1 / B31.3



Infinity® products satisfy the requirements of ASME B31.1 and ASME B31.3

CRN COMPLIANCE



Infinity has Full CRN Approval, conforming to the (TSSA) Technical Standards & Safety Authority

QUALICOAT COMPLIANCE



Chemical pre-treatments on Infinity® products comply with UNI 9921 - DIN 50939 - ASTM D 1730 - MIL C 5541 - UNI 9983 - BS 6496 - AAMA 603-605.

ABSENCE OF SILICONE



Infinity® products are silicon-free , in order to guarantee the highest purity level of air.

FIRE RESISTANCE



All Infinity® products are not flammable and they limit flame spread according to UNI EN 13501-1 : 2005. Class A2 - d1 - d0.

COMPLIANCE ISO 8573-1

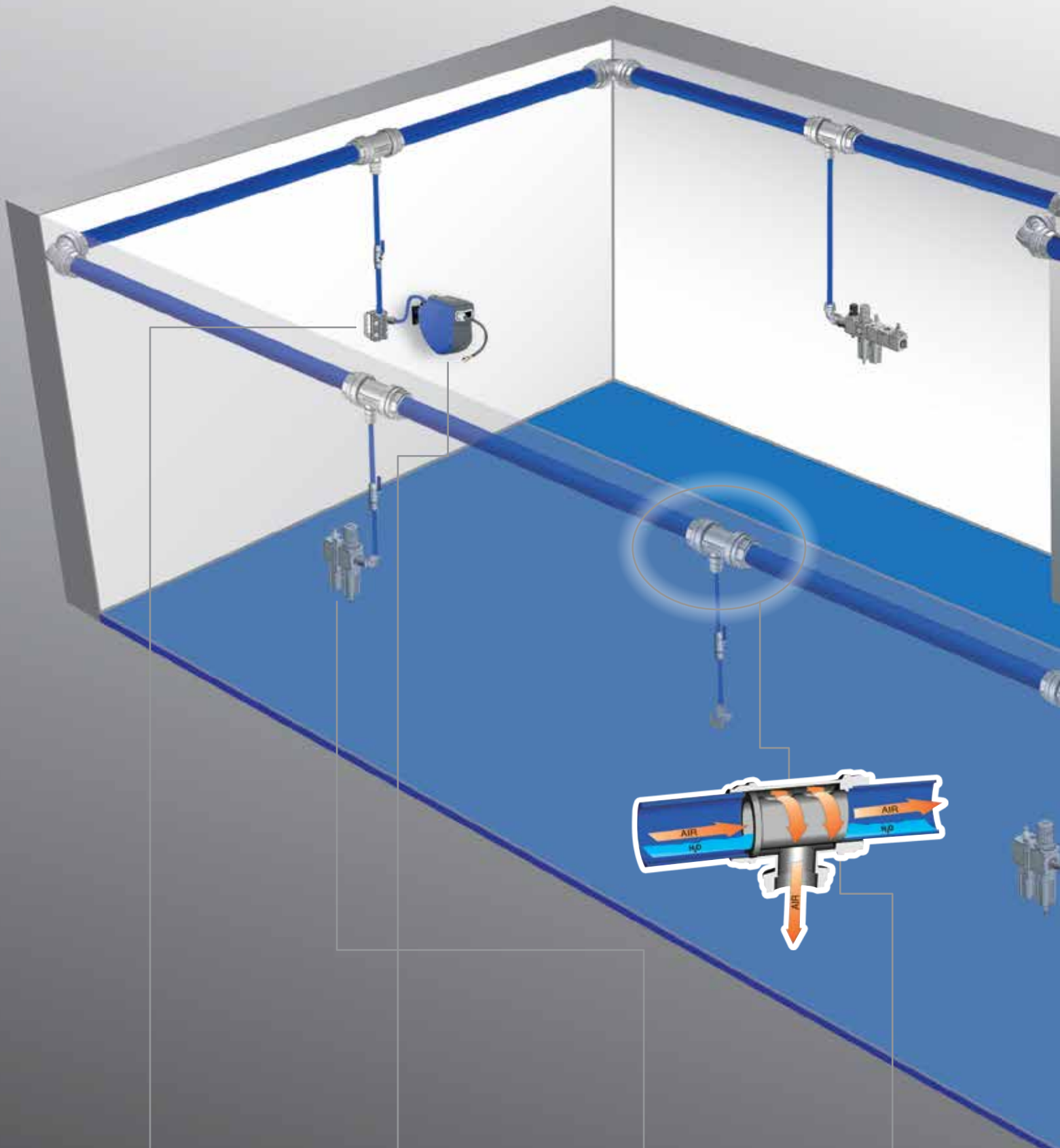


Infinity® system is tested in order to fully comply the norm. The Infinity® products do not contaminate the inner fluid.

INFINITY WARRANTY



Infinity® has a 20 years warranty.







## TECHNICAL CHARACTERISTICS



### Reference Standard

1907/2006

REACH ✓

2011/65/CE

RoHS ✓

PED

2014/68/UE

SILICON

FREE



### Component Parts and Materials

- 1 Nickel-Plated Brass Nut
- 2 (NBR or Nitrile Rubber) Double-Lipped Seal
- 3 304 AISI Stainless Steel (Bite-Ring or Clamping Washer)
- 4 (NBR / Nitrile Rubber) O-Ring Seal
- 5 Technopolymer Guide-Collar
- 6 Nickel-Plated Brass Body
- 7 6060-T6 Extruded Aluminum Powder Coated Tube
- 8 Aluminum Fittings Options in 50 & 63 mm



### Temperatures Rating

**-4° F ~ 176° F**  
**-20° C ~ 80° C**



### Fluids

- Compressed air
- Vacuum
- Inert Gases - i.g. Nitrogen & Argon



### Threads

- Male and Female NPT threads conform with ANSI/ASME standard B1.20.1



### Assembly

Ø 20 - Ø 25 - Ø 32 - Ø 40

Fittings of Ø 20 - Ø 25 - Ø 32 - Ø 40 are supplied assembled and pre torqued.

- 1 Inspect and deburr tube.
- 2 Insert tube into fitting and firmly push in to seat at bottom of fitting.
- 3 In case of fitting disassembling, use the torque specifications in the chart below to re-assemble the fitting.

1



2



3

Ø mm	Torque specifications
20	3 Nm (26 In - lbs)
25	3 Nm (26 In - lbs)
32	4 Nm (35 In - lbs)
40	6.5 Nm (58 In - lbs)

### Assembly

Ø 50 - Ø 63

Fittings of Ø 50 - Ø 63 are supplied pre-assembled with nut loosened for ease of insertion.

- 1 Inspect and deburr tube.
- 2 Insert tube into fitting, firmly push in to seat at bottom of fitting.
- 3 Tighten nut onto fitting following the torque specifications in the chart.

1

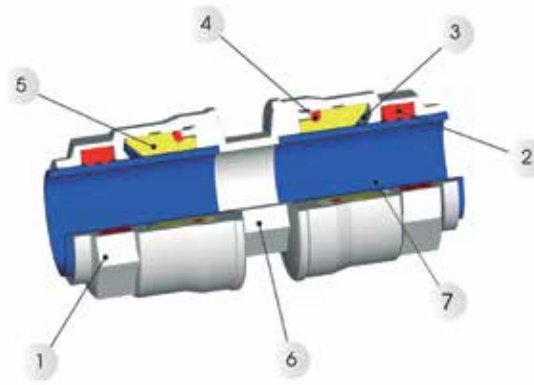


2



3

Ø mm	Torque specifications
50	75 Nm (55 ft - lbs)
63	85 Nm (63 ft - lbs)
Aluminium	
50	75 Nm (55 ft - lbs)
63	85 Nm (63 ft - lbs)



**PUSH IN:**  
 Ø 20 mm  
 Ø 25 mm  
 Ø 32 mm  
 Ø 40 mm  
 Ø 50 mm  
 Ø 63 mm



### Pressure Rating

**Vacuum ~ 232 PSI**  
**-0.99 bar ~ 20 bar**  
**-0.099 MPa ~ 2.0 MPa**

Technical characteristics to the tubes	
Extruded aluminium	UNI 9006/1 Al Mg 0.5 Si 0.4 Fe 0.2
Designations UNI EN 573-3	EN AW 6060 T6
Surface treatment	Electrostatic painting
Specific weight	2.70 Kg/dm <sup>3</sup>
Expansion coefficient	0.024 mm/(m °C)



**TECHNICAL CHARACTERISTICS**

**Reference Standard**

- 1907/2006 **REACH** ✓
- 2011/65/CE **RoHS** ✓
- PED 2014/68/UE
- SILICON FREE**

**Component Parts and Materials**

- 1 Nut made in aluminium with finished surface treatment
- 2 O-RING Seal made in NBR
- 3 Body made in aluminium with finished surface treatment
- 4 Safety Ring made in Technopolymeric
- 5 Clamping Washer made in AISI 301
- 6 Tube-guide Ring made in technopolymeric
- 7 Selflocking Nut in Zinc-Plated Steel
- 8 TCEI Screw in Zinc-Plated Steel
- 9 Extruded Alluminium tube calibrated and powder coated

**Temperatures Rating**

-4° F ~ 176° F  
-20° C ~ 80° C

**Fluids**

- Compressed air
- Vacuum
- Inert Gases - i.g. Nitrogen & Argon

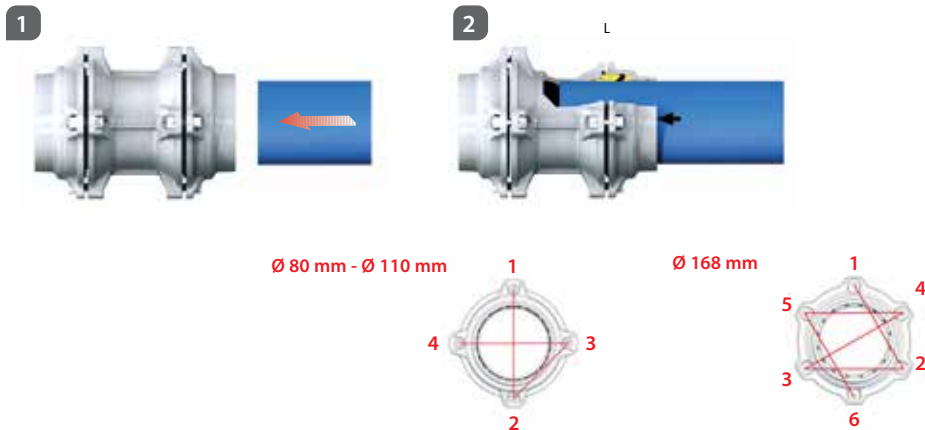
**Threads**

- Male and Female NPT threads conform with ANSI/ASME standard B1.20.1

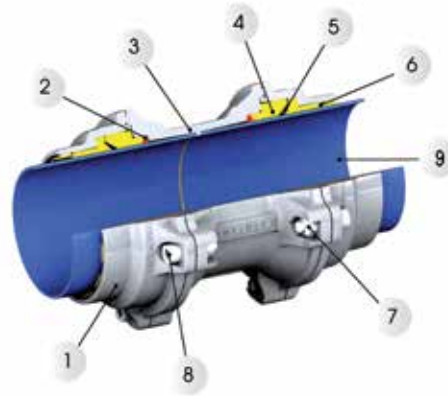
**Assembly**

Fittings of Ø 80 - Ø 110 - Ø 168 are supplied pre-assembled with 4-6 nuts and bolts, loosened for ease of insertion.

- 1 Inspect and deburr tube.
- 2 Insert tube into fitting, firmly push in to seat at bottom of fitting.
- 3 Tighten nuts and bolts following the torque specifications and sequence in the chart and diagram below.



Ø mm	Torque specifications
80	30 Nm (22 ft - lbs)
110	30 Nm (22 ft - lbs)
168	60 Nm (44 ft - lbs)



**PUSH IN:**  
Ø 80 mm  
Ø 110 mm  
Ø 168 mm

**Pressure Rating**

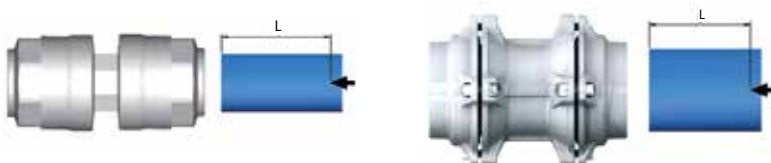
**Vacuum ~ 232 PSI**  
-0.99 bar ~ 16 bar  
-0.099 MPa ~ 1.6 MPa

Technical characteristics to the tubes	
Extruded aluminium	UNI 9006/1 Al Mg 0.5 Si 0.4 Fe 0.2
Designations UNI EN 573-3	EN AW 6060 T6
Surface treatment	Electrostatic painting
Specific weight	2.70 Kg/dm <sup>3</sup>
Expansion coefficient	0.024 mm/(m °C)

Ø 80 - Ø 110 - Ø 168

**Tube connection** Ø 20 - Ø 25 - Ø 32 - Ø 40 - Ø 50 - Ø 63 - Ø 80 - Ø 110 - Ø 168

Tube Insertion Depths.



Ø mm	L mm
20	31.5
25	38.5
32	46
40	52
50	63.5
63	57.5
80	91
110	125.5
168	193



### Tube diameter for the outlets

Specifications about available tube diameters for the outlets:

- Ø 20 with flow rate till 2000 NI/min
- Ø 25 with flow rate till 3500 NI/min
- Ø 32 with flow rate till 7000 NI/min



### Chose the diameter four the installation

The Diagram allows to determinate the diameter of the main line.

- 1 Choose the Flow rate of compressor in the Red column.
- 2 Choose the Distance between compressor and the most distant using point in the 1° column.
- 3 Cross the lines of Flow rate and blue column of Distance to choose the diameter.

Flow Rate			Distance between compressor and the most distant using point										
NI/min	Nm3/h	cfm	25 m 82 ft	50 m 164 ft	100 m 328 ft	150m 492 ft	200 m 656 ft	300 m 984 ft	400 m 1312 ft	500 m 1640 ft	1000 m 3280 ft	1500 m 4921 ft	2000 m 6562 ft
230	14	8	20	20	20	20	20	20	20	20	20	25	25
650	39	23	20	20	20	20	25	25	25	25	32	32	40
900	54	32	20	20	25	25	25	32	32	32	40	40	40
1200	72	42	20	20	25	25	32	32	32	32	40	40	50
1750	105	62	20	25	32	32	32	40	40	40	50	50	50
2000	120	71	25	25	32	32	32	40	40	40	50	50	50
2500	150	88	25	32	32	32	40	40	40	50	50	63	63
3000	180	106	25	32	32	40	40	40	50	50	50	63	63
3500	210	124	25	32	40	40	40	50	50	50	63	63	63
4500	270	159	32	32	40	40	50	50	50	50	63	63	80
6000	360	212	32	40	50	50	50	50	63	63	80	80	80
7000	420	247	32	40	50	50	50	63	63	63	80	80	80
8500	510	300	40	40	50	50	63	63	63	63	80	80	110
12000	720	424	40	50	63	63	63	80	80	80	110	110	110
15000	900	530	50	50	63	63	80	80	80	80	110	110	110
18000	1080	636	50	63	63	80	80	80	80	110	110	110	168
21000	1260	742	50	63	63	80	80	80	110	110	110	168	168
26000	1560	918	63	63	80	80	80	110	110	110	168	168	168
31000	1860	1095	63	63	80	80	110	110	110	110	168	168	168
33000	1980	1165	63	80	80	110	110	110	110	110	168	168	168
44000	2640	1554	63	80	110	110	110	110	168	168	168	168	168
50000	3000	1766	80	80	110	110	110	168	168	168	168	168	168
58000	3480	2048	80	80	110	110	110	168	168	168	168	168	*168
67000	4020	2366	80	110	110	110	168	168	168	168	168	*168	*168
75000	4500	2648	80	110	110	168	168	168	168	168	168	*168	*168
83000	4980	2931	80	110	110	168	168	168	168	168	*168	*168	*168
92000	5520	3249	110	110	168	168	168	168	168	168	*168	*168	*168
100000	6000	3531	110	110	168	168	168	168	168	*168	*168	*168	*168

\* Pressure 7 bar - Total pressure drop 5%

\* Pressure drop is higher than 5%



### Example

- Flow rate: 3000 NI/min
- Distance between compressor and most distant using point: 300 m
- Tube diameter: 40 mm



**Infinity flow rate**

- 1 Flow rates are based on a 1 psi pressure drop per 100 ft run of pipe and couplings in a "linear system".
- 2 For loop system, flow rates can be doubled.

TUBE OD	SCFM @ 75 PSI	SCFM @ 100 PSI	SCFM @ 125 PSI	SCFM @ 150 PSI	SCFM @ 175 PSI	SCFM @ 220 PSI
20 mm	20	24	27	30	33	37
25 mm	38	44	50	56	61	69
32 mm	75	88	100	111	121	137
40 mm	140	164	186	206	225	255
50 mm	260	305	346	383	418	475
63 mm	494	581	658	729	795	904
80 mm	960	1128	1279	1417	1545	1756
110 mm	2328	2736	3101	3435	3745	4259
168 mm	7562	8887	10072	11157	12165	13831

\* Flow charts are atmospheric condition 1013 bar: At 20 °C (68 °F)

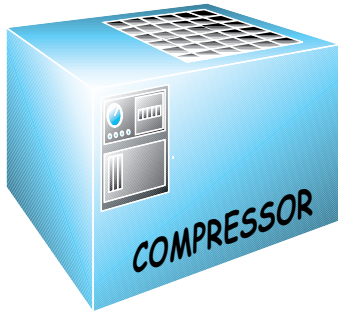


**Example**

- Run of pipe: 100 Ft
- Pipe: 63
- Pressure: 100 PSI
- Flow: 581 CFM
- Pressure drop 1 PSI
- Loop system (flows) 1162 CFM

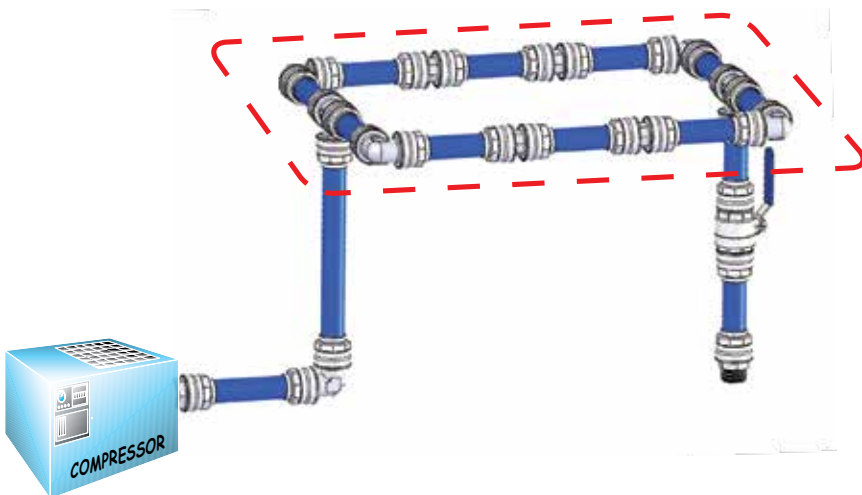


Indicative flow rates of the compressors to 7 bar

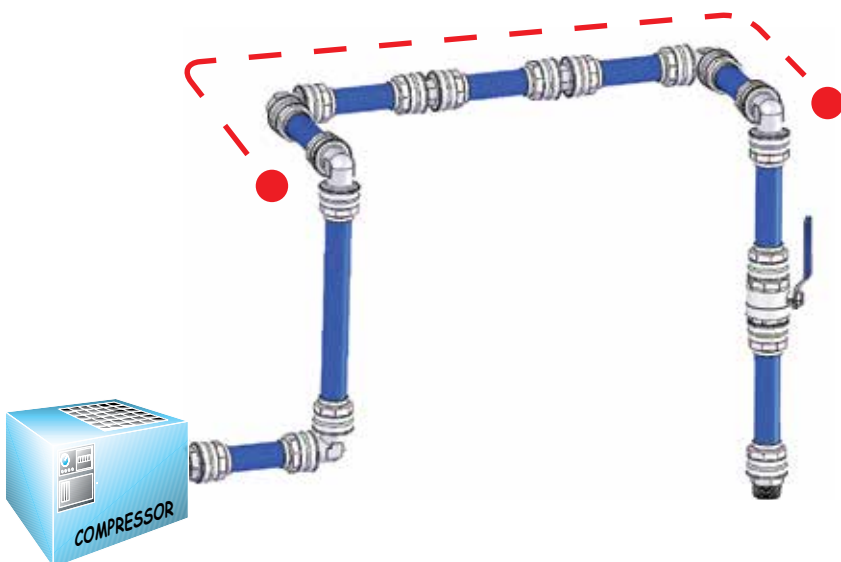


KW	CV	cfm
1.5	2	8
3	4	16
4	6	23
5.5	7.5	32
7.5	10	42
11	15	62
12.5	17	71
15	20	88
18	25	106
22	30	124
29	40	159
37	50	212
45	60	247
55	75	300
74	100	424
92	125	530
110	150	636
132	180	742
170	230	918
200	270	1095
250	340	1554

Distance between compressor and the most distant using point



LOOP SYSTEM



LINEAR SYSTEM



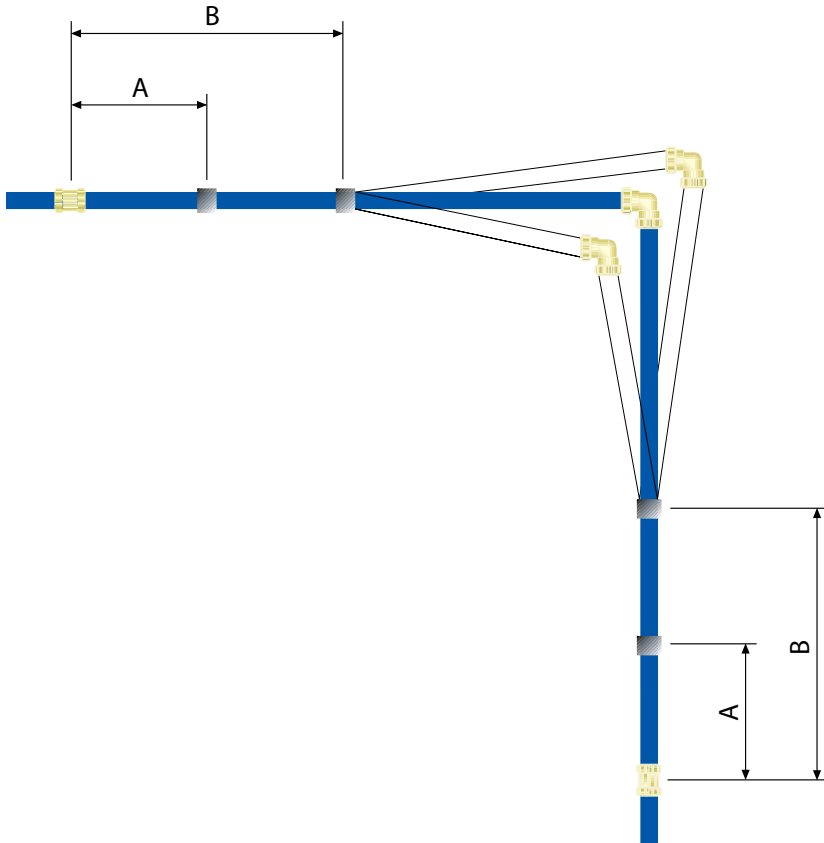
**Expansion and shrinkage due to the heat**

To calculate the linear expansion - shrinkage we can use the following formula:

$$\Delta L = \Delta T \times L \times \alpha \quad \text{i.e.:$$

- $\Delta L$  = Linear expansion - shrinkage in mm
- $\Delta T$  = Heat variation between the operating temperature and the installation one at °C
- $L$  = Tube length in m
- $\alpha$  = Linear expansion factor, for the aluminium it is 0.024 mm/m °C

The installation have to be positioned, considering at the two ends free space which permits the expansion - shrinkage and supports have to be fixed as showed in the picture:



## CALIBRATED ALUMINIUM TUBES

**90000 - 4 m**

 Color:   
 LIGHT BLUE


Code	Item	Ø	Wall Thickness	Max Pressures	Weight	Lenght	Pack.
		mm	mm	bar	g/m	m	
90000 00 11 Y9 AZ	90000LB-4-20	20	1.5	16	235	4 m	8
90000 00 11 J4 AZ	90000LB-4-25	25	1.5	16	298	4 m	8
90000 00 11 J9 AZ	90000LB-4-32	32	1.5	16	387	4 m	9
90000 00 11 K4 AZ	90000LB-4-40	40	1.5	16	490	4 m	9
90000 00 11 W0 AZ	90000LB-4-50	50	2	16	814	4 m	4
90000 00 11 W3 AZ	90000LB-4-63	63	2	16	1034	4 m	4

**90000 - 6 m**

 Color:   
 LIGHT BLUE


Code	Item	Ø	Wall Thickness	Max Pressures	Weight	Lenght	Pack.
		mm	mm	bar	g/m	m	
90000 6 020 AZ	90000LB-6-20	20	1.5	16	235	5.95 m	8
90000 6 025 AZ	90000LB-6-25	25	1.5	16	298	5.95 m	8
90000 6 032 AZ	90000LB-6-32	32	1.5	16	387	5.95 m	9
90000 6 040 AZ	90000LB-6-40	40	1.5	16	490	5.95 m	4
90000 6 050 AZ	90000LB-6-50	50	2	16	814	5.95 m	4
90000 6 063 AZ	90000LB-6-63	63	2	16	1034	5.95 m	2
90000 6 080 AZ	90000LB-6-80	80	2	16	1283	5.95 m	2
90000 6 110 AZ	90000LB-6-110	110	2.5	16	2280	5.95 m	1
90000 6 168 AZ	90000LB-6-168	168	4	16	5700	5.95 m	1

**90000 - 6 m**

 Color:   
 GRAY


Code	Item	Ø	Wall Thickness	Max Pressures	Weight	Lenght	Pack.
		mm	mm	bar	g/m	m	
90000 6 020 GR	90000GY-6-20	20	1.5	16	235	5.95 m	8
90000 6 025 GR	90000GY-6-25	25	1.5	16	298	5.95 m	8
90000 6 032 GR	90000GY-6-32	32	1.5	16	387	5.95 m	9
90000 6 040 GR	90000GY-6-40	40	1.5	16	490	5.95 m	4
90000 6 050 GR	90000GY-6-50	50	2	16	814	5.95 m	4
90000 6 063 GR	90000GY-6-63	63	2	16	1034	5.95 m	2
90000 6 080 GR	90000GY-6-80	80	2	16	1283	5.95 m	2
90000 6 110 GR	90000GY-6-110	110	2.5	16	2280	5.95 m	1
90000 6 168 GR	90000GY-6-168	168	4	16	5700	5.95 m	1

## 90000 - 6 m

 Color:   
 GREEN


Code	Item	Ø	Wall Thickness	Max Pressures	Weight	Lenght	Pack.
		mm	mm	bar	g/m	m	
90000 6 020 VE	90000GN-6-20	20	1.5	16	235	5.95 m	8
90000 6 025 VE	90000GN-6-25	25	1.5	16	298	5.95 m	8
90000 6 032 VE	90000GN-6-32	32	1.5	16	387	5.95 m	9
90000 6 040 VE	90000GN-6-40	40	1.5	16	490	5.95 m	4
90000 6 050 VE	90000GN-6-50	50	2	16	814	5.95 m	4
90000 6 063 VE	90000GN-6-63	63	2	16	1034	5.95 m	2

## 90000 - 6 m

 Color:   
 BLACK

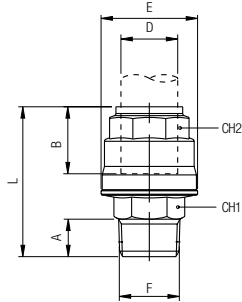

Code	Item	Ø	Wall Thickness	Max Pressures	Weight	Lenght	Pack.
		mm	mm	bar	g/m	m	
90000 6 020 NE	90000BK-6-20	20	1.5	16	235	5.95 m	8
90000 6 025 NE	90000BK-6-25	25	1.5	16	298	5.95 m	8
90000 6 032 NE	90000BK-6-32	32	1.5	16	387	5.95 m	9
90000 6 040 NE	90000BK-6-40	40	1.5	16	490	5.95 m	4
90000 6 050 NE	90000BK-6-50	50	2	16	814	5.95 m	4
90000 6 063 NE	90000BK-6-63	63	2	16	1034	5.95 m	2
90000 6 080 NE	90000BK-6-80	80	2	16	1283	5.95 m	2
90000 6 110 NE	90000BK-6-110	110	2.5	16	2280	5.95 m	1
90000 6 168 NE	90000BK-6-168	168	4	16	5700	5.95 m	1

**PUSH-IN FITTINGS FOR INSTALLATION OF COMPRESSED-AIR PIPELINES**

**90011**

STRAIGHT MALE ADAPTOR

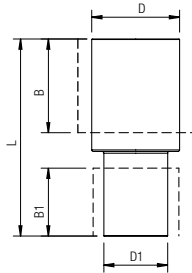
**NPTF**



Code	Item	D	F (NPTF)	A	B	E	L	CH1	CH2	Pack.
90011 00 001	90011-20-08	20	1/2	14	31.5	34.5	56	22	30	5
90011 00 009	90011-20-12	20	3/4	17.5	31.5	34.5	62.5	22	30	5
90011 00 002	90011-25-12	25	3/4	16.5	38.5	42.5	66	27	35	5
90011 00 010	90011-25-16	25	1"	21.5	42.5	42.5	72	27	35	2
90011 00 003	90011-32-16	32	1"	19	46	52	76.5	34	45	2
90011 00 004	90011-40-24	40	1 1/2"	21.5	52	63	89.5	45	55	2
90011 00 005	90011-50-24	50	1 1/2"	21.5	63.5	73	105	50	65	2
90011 00 012	90011-50-32	50	2"	24	63.5	105	111	60	65	2
90011 00 006	90011-63-32	63	2"	24	59	92	107.5	65	70	2
<b>Aluminium</b>										
90011 00 005 A	90011A-50-24	50	1 1/2"	22.5	58.5	84	115	50	72	2
90011 00 012 A	90011A-50-32	50	2"	23.5	58.5	84	116	50	72	2
90011 00 006 A	90011A-63-32	63	2"	23.5	57.5	94	109.5	65	75	2
90011 00 008 A	90011A-63-40	63	2 1/2"	35	57.5	94	120.5	75	75	2

**90012**

TUBE-TUBE REDUCER

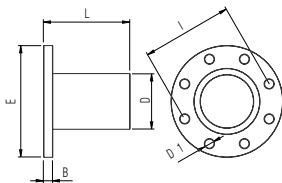


Code	Item	D	D1	B	B1	L	Pack.
90012 00 003	90012-80-50	80	50	91	63.5	167	1
90012 00 001	90012-80-63	80	63	91	57.5	168	1
90012 00 002	90012-110-80	110	80	125.5	91	247	1
90012 00 004	90012-168-110	168	110	194	125.5	384	1

**90014**

FLANGED ADAPTER

**ANSI 150-LB**

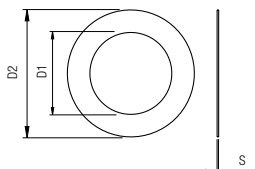


Code	Item	D	B	C	E	F	L	D1	I	Pack.
90014 00 001	90014-80	80	25	20	190.5	130	131	19	152.4	1
90014 00 002	90014-110	110	25	20	228.6	158	166	19	190.5	1
90014 00 003	90014-168	168	27	22	279.5	216	266	22	241.5	1

The connection dimensions of the flange are designed in conformity with standard ANSI 150-LB (Flange made in aluminium alloy).

**90017**

FLAT GASKET FOR FLANGE



Code	Item	Tube	D1	D2	S	Pack.
90017 00 57 TP 00	90017-80	80	89	131	2	1
90017 00 57 HT 00	90017-110	110	115	162	2	1
90017 00 57 ZW 00	90017-168	168	169	220	2	1



# 90019

FLANGE KIT



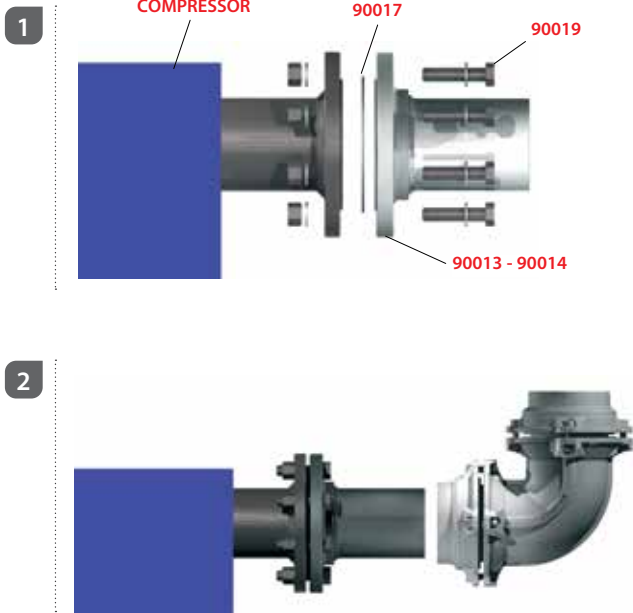
Code	Item	Thread	Tube	Size	Pack.
90019 00 001	90019-M16	M16	80 - 110	70 mm	1
90019 00 002	90019-M20	M20	168	80 mm	1

Kit: 8 screw + 8 nut + 16 washer



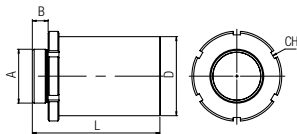
### Component Parts and Materials

- 1 To connect the pipe system to the air system component, use flanged adapter 90014.
- 2 Insert gasket 90017 between air system component flange and flange adapter 90014. Torque 8 nuts and bolts (part 90019) to 44 Ft Lbs.
- 3 Finished assembly.



# 90021

TUBE-MALE REDUCER



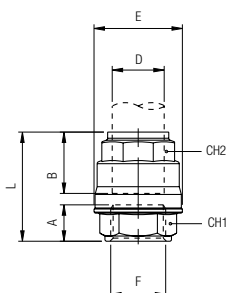
Code	Item	D	A	B	L	CH*	Pack.
90021 00 003	90021-80-40	80	2"-1/2	22	143	100	1
90021 00 004	90021-80-48	80	3"	23	144	100	1
90021 00 001	90021-110-40	110	2"-1/2	22	178	125	1
90021 00 002	90021-110-48	110	3"	23	179	125	1
90021 00 005	90021-110-64	110	4"	39	195	125	1

\*Hook wrench dimensions

# 90031

STRAIGHT FEMALE ADAPTOR

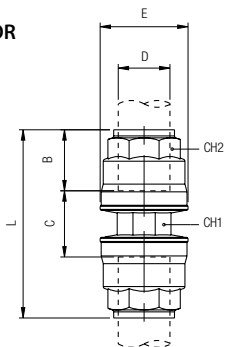
**NPTF**



Code	Item	D	F	A	B	E	L	CH1	CH2	Pack.
90031 00 001	90031-20-08	20	1/2	15	31.5	34.5	49	24	30	5
90031 00 002	90031-25-12	25	3/4	16.5	38.5	42.5	56.5	32	35	5
90031 00 003	90031-32-16	32	1"	19	46	52	66.5	38	45	2
90031 00 004	90031-40-20	40	1"1/4	22	52	63	76	50	55	2

## 90040

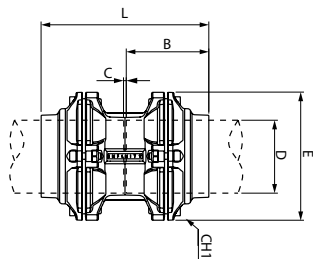
STRAIGHT UNION CONNECTOR



Code	Item	D	B	C	E	L	CH1	CH2	Pack.
90040 00 001	90040-20	20	31.5	14.5	34.5	76.5	21	30	2
90040 00 002	90040-25	25	38.5	13.5	42.5	90.5	26	35	2
90040 00 003	90040-32	32	46	14.5	52	106.5	32	45	2
90040 00 004	90040-40	40	52	21	63	125	41	55	2
90040 00 005	90040-50	50	63.5	21.5	73	148.5	50	65	2
90040 00 006	90040-63	63	59	25	92	160	65	70	1
Aluminium									
90040 00 005 A	90040A-50	50	58.5	59	84	175	59	72	2
90040 00 006 A	90040A-63	63	57.5	44	94	159	73	75	1

## 90040 Ø 80-110-168

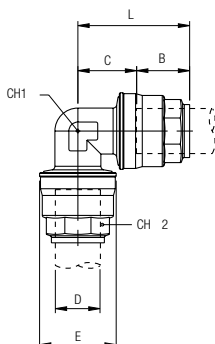
STRAIGHT UNION CONNECTOR



Code	Item	D	B	C	E	L	CH1	Pack.
90040 00 007	90040-80	80	91	3.5	145	186	6	2
90040 00 008	90040-110	110	125.5	4	200	255	8	1
90040 00 009	90040-168	168	194	5	306	393	10	1

## 90130

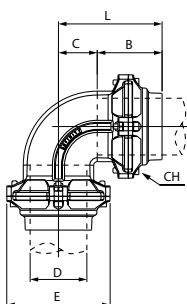
ELBOW CONNECTOR



Code	Item	D	B	C	E	L	CH1	CH2	Pack.
90130 00 001	90130-20	20	31.5	19	34.5	51	21	30	4
90130 00 002	90130-25	25	38.5	23	42.5	61.5	26	35	4
90130 00 003	90130-32	32	46	28	52	74.5	34	45	2
90130 00 004	90130-40	40	52	34	63	86.5	41	55	2
90130 00 005	90130-50	50	63.5	40.5	73	104	50	65	2
90130 00 006	90130-63	63	59	52	92	111	65	70	1
Aluminium									
90130 00 005 A	90130A-50	50	58.5	63	84	121.5	59	72	2
90130 00 006 A	90130A-63	63	57.5	55.5	94	113	73	75	1

## 90130 Ø 80-110-168

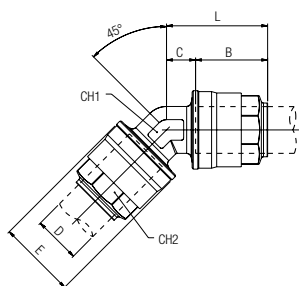
ELBOW CONNECTOR



Code	Item	D	B	C	E	L	CH	Pack.
90130 00 007	90130-80	80	91	54.5	145	146	6	2
90130 00 008	90130-110	110	125.5	75	200	200.5	8	1
90130 00 009	90130-168	168	194	81.5	306	393	10	1

# 90140

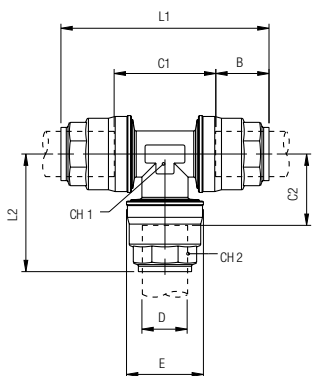
45 DEG ELBOW CONNECTOR



Code	Item	D	B	C	E	L	CH1	CH2	Pack.
90140 00 001	90140-20	20	31.5	12.5	34.5	44	21	30	4
90140 00 002	90140-25	25	38.5	13.5	42.5	52	26	35	4
90140 00 003	90140-32	32	46	15	52	61	34	45	2
90140 00 004	90140-40	40	52	18	63	70	41	55	1
90140 00 005	90140-50	50	63.5	20	73	83.5	50	65	2
90140 00 006	90140-63	63	59	24	92	83	65	70	1
<b>Aluminium</b>									
90140 00 005 A	90140A-50	50	58.5	35.5	84	94	59	72	2
90140 00 006 A	90140A-63	63	57.5	24	94	82	73	75	1

# 90230

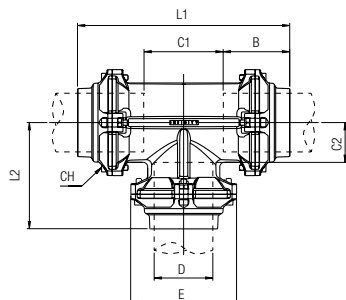
TEE CONNECTOR



Code	Item	D	E	B	C1	C2	L1	L2	CH1	CH2	Pack.
90230 00 001	90230-20	20	34.5	31.5	34.5	22.5	98	54.5	21	30	3
90230 00 002	90230-25	25	42.5	38.5	37.5	26	113.5	65	26	35	3
90230 00 003	90230-32	32	52	46	46.5	31.5	138.5	77	34	45	2
90230 00 004	90230-40	40	63	52	55.5	38	159.5	90	41	55	1
90230 00 005	90230-50	50	73	63.5	69	44.5	196	108	50	65	1
90230 00 006	90230-63	63	92	59	87	55.5	205.5	114.5	65	70	1
<b>Aluminium</b>											
90230 00 005 A	90230A-50	50	84	58.5	126	79	243	122	40.5	72	1
90230 00 006 A	90230A-63	63	94	57.5	111	55.5	226	113	73	75	1

# 90230 Ø 80-110-168

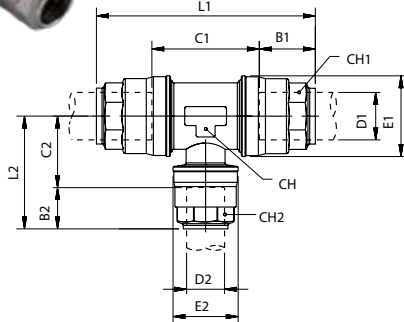
TEE CONNECTOR



Code	Item	D	E	B	C1	C2	L1	L2	CH	Pack.
90230 00 007	90230-80	80	145	91	109	54.5	291.5	138	6	1
90230 00 008	90230-110	110	200	125.5	150.5	75	401	200.5	8	1
90230 00 009	90230-168	168	306	194	235	117.5	623	311.5	10	1

**90235**

OUTLET REDUCING TEE



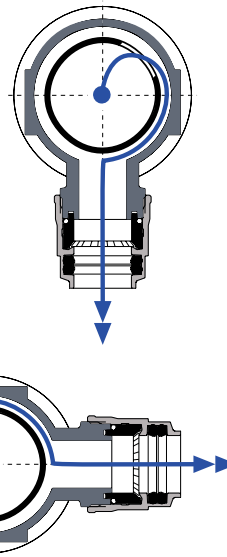
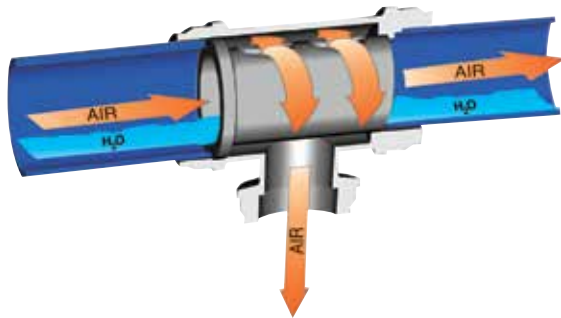
Code	Item	D1	D2	B1	B2	C1	C2	E1	E2	L1	L2	CH	CH1	CH2	Pack.
90235 00 013	90235-20-20	20	20	31.5	31.5	48	22.5	34.5	34.5	109	54	28	30	30	3
90235 00 001	90235-25-20	25	20	38.5	31.5	45.5	27.5	42.5	34.5	121.5	59	35	35	30	3
90235 00 002	90235-32-20	32	20	46	31.5	54.5	31.5	52	34.5	146.5	63	45	45	30	2
90235 00 003	90235-32-25	32	25	46	38	54.5	31.5	52	42.5	146.5	70	45	45	35	2
90235 00 004	90235-40-20	40	20	52.5	31.5	60	34.5	63	34.5	165.5	66	55	55	30	1
90235 00 005	90235-40-25	40	25	52.5	38	60	34.5	63	42.5	165.5	73	55	55	35	1
90235 00 007	90235-50-20	50	20	63.5	31.5	73.5	41.5	73	34.5	201	73	65	65	30	1
90235 00 008	90235-50-25	50	25	63.5	38.5	73.5	41	73	42.5	201	80	65	65	35	1
90235 00 009	90235-50-32	50	32	63.5	46	73.5	41	73	52	201	87.5	65	65	45	1
90235 00 010	90235-63-20	63	20	59	31.5	86	49	92	34.5	237.5	81	80	70	30	1
90235 00 011	90235-63-25	63	25	59	38.5	86	49	92	42.5	204.5	88	80	70	35	1
90235 00 012	90235-63-32	63	32	59	46	86	49	92	52	204.5	95.5	80	70	45	1
<b>Aluminium</b>															
90235 00 007 A	90235A-50-20	50	20	58.5	33	105	57	84	40	222	90	69	72	30	1
90235 00 008 A	90235A-50-25	50	25	58.5	41	105	57	84	49	222	98	69	72	35	1
90235 00 009 A	90235A-50-32	50	32	58.5	45	105	57	84	58	222	102	69	72	45	1
90235 00 010 A	90235A-63-20	63	20	57.5	33	87.5	64.5	94	40	205.5	97	80	75	30	1
90235 00 011 A	90235A-63-25	63	25	57.5	41	87.5	64.5	94	49	205.5	105	80	75	35	1
90235 00 012 A	90235A-63-32	63	32	57.5	45	87.5	64.5	94	58	205.5	112	80	75	45	1



**Function (90235-90236-90237)**

This fitting is a valid alternative to the traditional swan-neck; it shows itself as a quicker and cost effective solution.

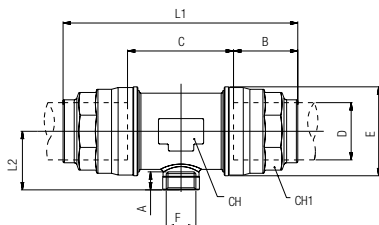
The efficient internal system allows to the air to reach the usage points without any condense which stays within the main circuit and than it can be drained in the most convenient point.



**90237**

FEMALE OUTLET REDUCING TEE

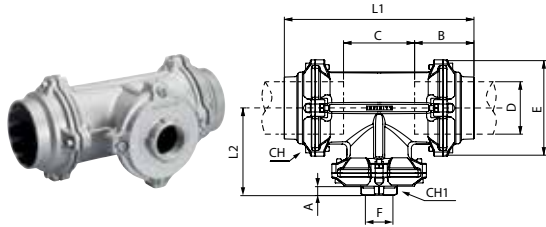
**NPTF**



Code	Item	D	F(NPTF)	A	B	C	E	L1	L2	CH	CH1	Pack.
90237 00 007	90237-20-08	20	1/2	13.5	31.5	48	34.5	109	25	28	30	3
<b>Aluminium</b>												
90237 00 017 A	90237A-63-08	63	1/2	13.5	57.5	88	94	203	53	80	75	1
90237 00 005 A	90237A-63-12	63	3/4	14	57.5	88	94	203	54	80	75	1
90237 00 018 A	90237A-63-16	63	1"	17	57.5	88	94	203	56.5	80	75	1

**90237 Ø 80-110-168 NPTF**

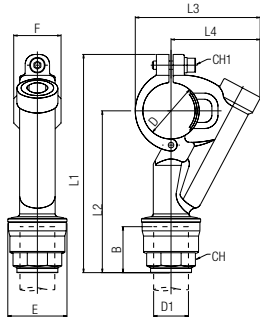
FEMALE OUTLET REDUCING TEE



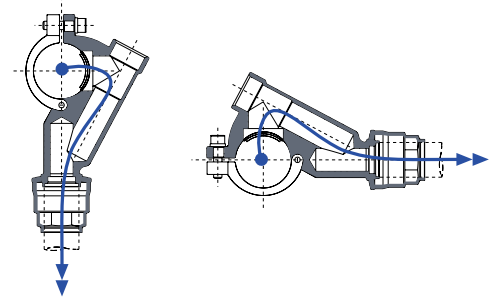
Code	Item	D	F(NPTF)	A	B	C	E	L1	L2	CH	CH1	Pack.
90237 00 009	90237-80-12	80	3/4	14.5	91	109	145	291.5	138	6	42	1
90237 00 010	90237-80-16	80	1"	17	91	109	145	291.5	138	6	49	1
90237 00 011	90237-80-24	80	1 1/2"	20	91	109	145	291.5	138	6	66	1
90237 00 012	90237-80-32	80	2"	22	91	109	145	291.5	138	6	80	1
90237 00 013	90237-110-12	110	3/4	14.5	125.5	150.5	200	401	180	8	42	1
90237 00 014	90237-110-16	110	1"	17	125.5	150.5	200	401	180	8	49	1
90237 00 015	90237-110-24	110	1 1/2"	20	125.5	150.5	200	401	180	8	66	1
90237 00 016	90237-110-32	110	2"	22	125.5	150.5	200	401	180	8	80	1
90237 00 021	90237-168-12	168	3/4	14.5	194	235	306	623	275	10	41.5	1
90237 00 022	90237-168-16	168	1"	17	194	235	306	623	277	10	48	1
90237 00 023	90237-168-32	168	2"	17	194	235	306	623	277	10	78	1

**90240**

SADDLE CLAMP CONNECTOR



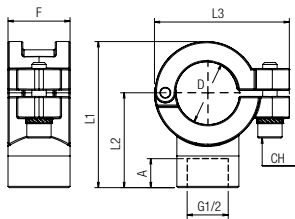
Code	Item	D	D1	B	E	F	L1	L2	L3	L4	CH	CH1	Pack.
90240 00 003	90240-32-20	32	20	31.5	34.5	34	136.5	100.5	78	57	30	5	6
90240 00 004	90240-32-25	32	25	38.5	42.5	34	144.5	108.5	78	57	35	5	6
90240 00 005	90240-40-20	40	20	31.5	34.5	34	148.5	108	89.5	64	30	5	4
90240 00 006	90240-40-25	40	25	38.5	42.5	34	156.5	116	89.5	64	35	5	4
90240 00 007	90240-50-20	50	20	31.5	34.5	42.5	167.5	118.5	105.5	74	30	6	2
90240 00 008	90240-50-25	50	25	38.5	42.5	42.5	175.5	126.5	105.5	74	35	6	1
90240 00 010	90240-63-20	63	20	31.5	34.5	42.5	185	130	119	81	30	6	1
90240 00 011	90240-63-25	63	25	38.5	42.5	42.5	193	138	119	81	35	6	1



**90248**

FEMALE SADDLE CLAMP CONNECTOR

**NPTF**

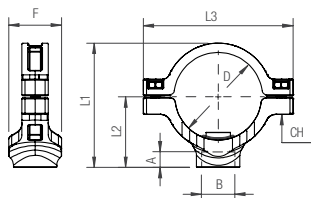


Code	Item	D	(NPTF)	A	F	L1	L2	L3	CH	Pack.
90248 00 002	90248-25-08	25	1/2	13.5	25.5	50	39	55.5	5	2
90248 00 003	90248-32-08	32	1/2	13.5	34	63.5	42.5	61.5	5	2
90248 00 004	90248-40-08	40	1/2	13.5	34	71	46	70	5	2
90248 00 005	90248-50-08	50	1/2	13.5	42.5	83.5	52	84.5	6	1
90248 00 006	90248-63-08	63	1/2	13.5	42.5	95.5	57.5	97	6	1

**90248 Ø 80-110**

FEMALE SADDLE CLAMP CONNECTOR

**NPTF**

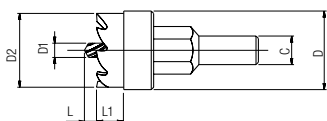


Code	Item	D	B	A	F	L1	L2	L3	CH	Pack.
90248 00 007	90248-80-12	80	3/4	16.5	50	117.5	66.5	141.5	6	1
90248 00 008	90248-80-16	80	1"	19	50	120	69	141.5	6	1
90248 00 009	90248-110-12	110	3/4	16.5	50	152.5	82	189.5	8	1
90248 00 010	90248-110-16	110	1"	19	50	155	84.5	189.5	8	1
90248 00 011	90248-168-12	168	3/4	14	52	213	114	249	8	1
90248 00 012	90248-168-16	168	1"	16.8	52	213	114	249	8	1
90248 00 013	90248-168-24	168	1 1/2"	17.3	72	223	124	249	8	1
90248 00 014	90248-168-32	168	2"	17.3	72	223	124	249	8	1

## 90241

TOOL FOR SADDLE CLAMP CONNECTOR

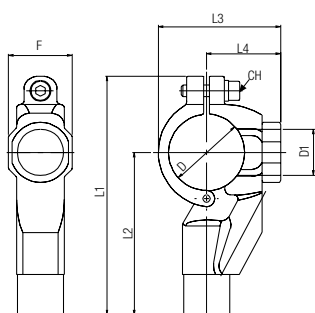
Code	Item	Tube	C	D	D1	D2	L	L1	Pack.
90241 00 003	90241-25	25	9	17.5	6	17	3	10	1
90241 00 001	90241-32	32-40-80-110-168 3/4 - 168 1"	9	24	6	23.5	3	10	1
90241 00 002	90241-50	50 - 63	9	31	6	30.5	3	9	1
90241 00 004	90241-168	168 1"1/2 - 168 2"	10	41	6	40.5	3	13	1



## 90242

DRILLING JIG

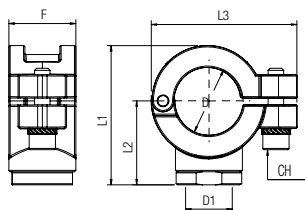
Code	Item	D	D1	F	L1	L2	L3	L4	CH	Pack.
90242 00 001	90242-32	32	24.5	34	115	79	56	35	5	1
90242 00 002	90242-40	40	24.5	34	127	86.5	65	39.5	5	1
90242 00 003	90242-50	50	32	42.5	146	97	79	47.5	6	1
90242 00 004	90242-63	63	32	42.5	163.5	108.5	93	55	6	1



## 90249

COMPACT DRILLING JIG

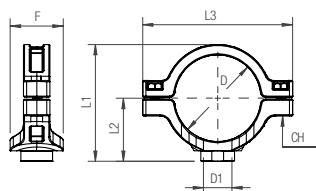
Code	Item	D	D1	F	L1	L2	L3	CH	Pack.
90249 00 002	90249-25	25	17.8	25.5	53	32	55.5	5	1
90249 00 003	90249-32	32	24.5	34	56	35	61.5	5	1
90249 00 004	90249-40	40	24.5	34	65	40	70	5	1
90249 00 005	90249-50	50	32	42.5	79	47.5	84.5	6	1
90249 00 006	90249-63	63	32	42.5	93	55	97	6	1



## 90249 Ø 80-110-168

COMPACT DRILLING JIG

Code	Item	D	D1	F	L1	L2	L3	CH	Pack.
90249 00 007	90249-80	80	24.5	50	110.5	59.5	141.5	6	1
90249 00 008	90249-110	110	24.5	50	135.5	64.5	189.5	8	1
90249 00 009	90249-168-12	168 3/4 - 168 1"	24.5	52	201.5	102.5	248.5	8	1
90249 00 010	90249-168-24	168 1"1/2 - 168 2"	41.5	74	204.5	105.5	248.5	8	1

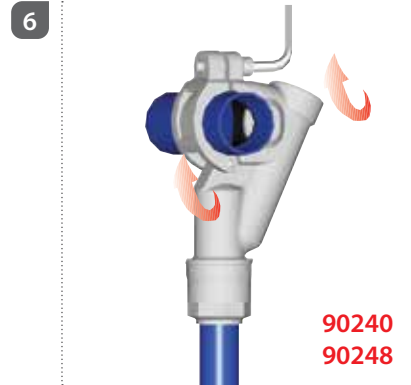
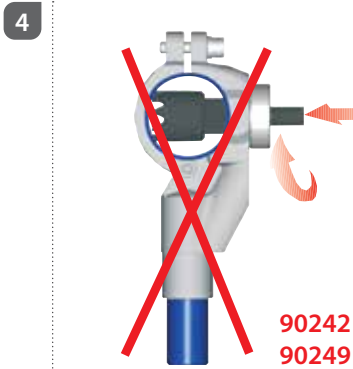
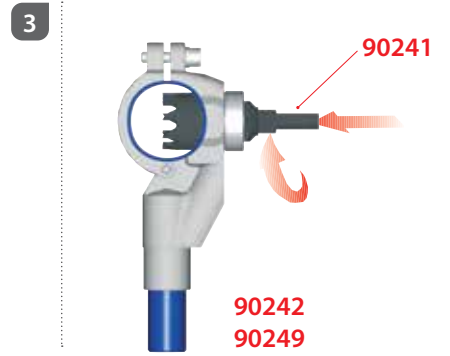
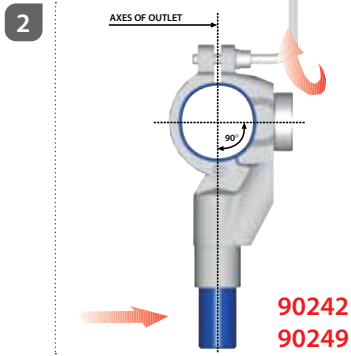




**Function (90235-90236-90237)**

A saddle clamp allows the installer to set up a new drop in an existing system without removing tubes.

- 1 Depressurize the system.
- 2 Mount jig 90242 or 90249 for the correct tube and outlet size.  
Be careful that jig bore must intersect the axis of tube drop.  
It is possible, if needed, to mount a 20mm tube to the drilling jig for ease of positioning.
- 3 Drill the tube with correct hole saw 90241.
- 4 Do not damage inside of tube with hole saw.
- 5 Remove jig and clean up any residual material.
- 6 Mount and tighten saddle clamp 90240 or 90249. Be careful that the lip seal lies into the hole correctly.



**90254**

**NPTF**

DRILLING TOOL FOR SADDLE CLAMP WITH VALVE

Code	Item	Dimensions	Pack.
90254 00 001	90254	25 - 32 - 40 - 50 - 63	1

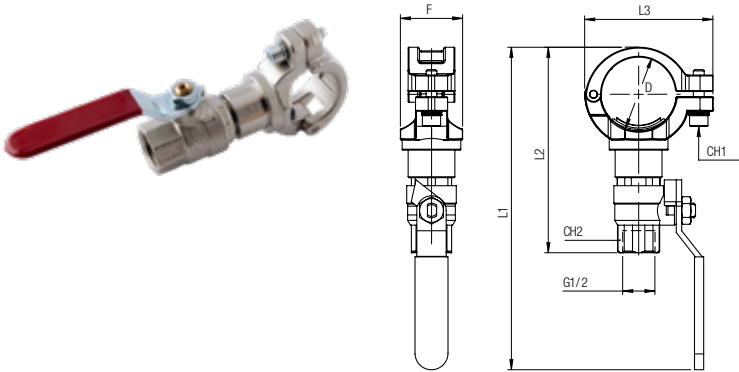


**90255**

**NPTF**

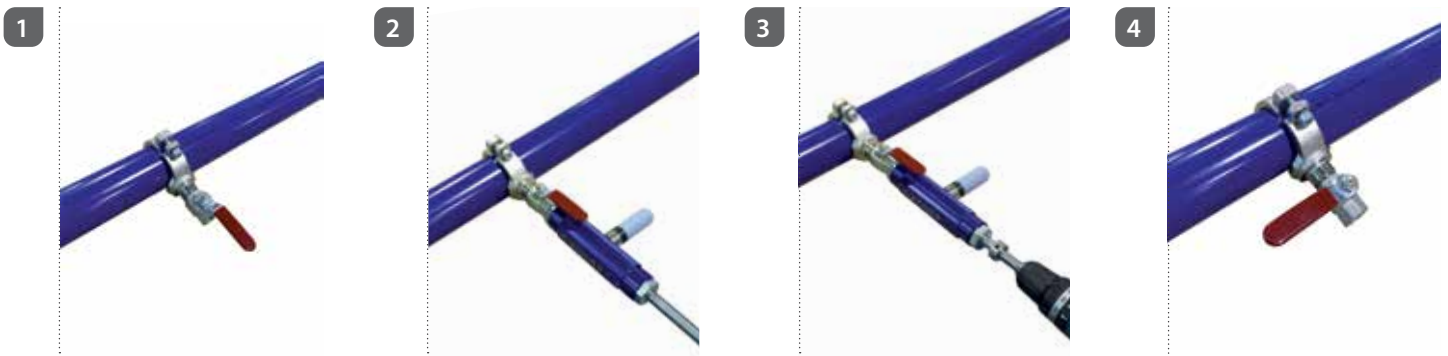
SADDLE CLAMP CONNECTOR WITH VALVE

Code	Item	D	F	L1	L2	L3	CH1	CH2	Pack.	
90255 00 002	90255-25-08	25	1/2	25.5	161	97.5	55.5	5	25	1
90255 00 003	90255-32-08	32	1/2	34	168	104	61.5	5	25	1
90255 00 004	90255-40-08	40	1/2	34	176	112	70	5	25	1
90255 00 005	90255-50-08	50	1/2	42.5	188	125	84.5	6	25	1
90255 00 006	90255-63-08	63	1/2	42.5	200	137	97	6	25	1



**Mounting instructions flange 90253**

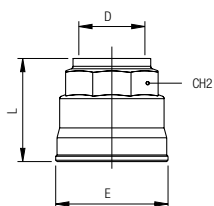
- 1 Mount the saddle clamp Art.90253 on tube and screw it carefully – open the valve.
- 2 Mount the drilling tool Art.90252 on valve and screw it carefully.
- 3 Mount the drill on the drilling tool Art.90252 and drill the tube till the stop.
- 4 Remove the drill and pull back the drill tip; close the valve before removing the drilling tool.





## 90610

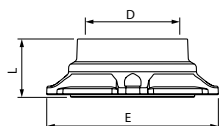
CAP



Code	Item	D	L	E	CH2	Pack.
90610 00 001	90610-20	20	33	34.5	30	10
90610 00 002	90610-25	25	39	42.5	35	6
90610 00 003	90610-32	32	46.5	52	45	4
90610 00 004	90610-40	40	53	63	55	4
90610 00 005	90610-50	50	62	73	65	2
90610 00 006	90610-63	63	58	92	70	2
<b>Aluminium</b>						
90610 00 005 A	90610A-50	50	73.5	84	72	1
90610 00 006 A	90610A-63	63	64	94	75	1

## 90610 Ø 80-110-168

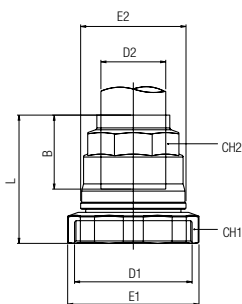
CAP



Code	Item	D	L	E	Pack.
90610 00 007	90610-80	80	49.5	145	1
90610 00 008	90610-110	110	68	200	1
90610 00 009	90610-168	168	85	306	1

## 90620

BODY REDUCER



Code	Item	D1	D2	B	E1	E2	L	CH1	CH2	Pack.
90620 00 001	90620-25-20	25	20	31.5	43.5	34.5	48	42	30	5
90620 00 002	90620-32-20	32	20	31.5	54	34.5	48.5	52	30	5
90620 00 003	90620-32-25	32	25	38.5	54	42.5	55	52	35	5
90620 00 004	90620-40-20	40	20	31.5	65	34.5	50	63	30	4
90620 00 005	90620-40-25	40	25	38.5	65	42.5	56.5	63	35	4
90620 00 006	90620-40-32	40	32	46	65	52	63.5	63	45	3
90620 00 011	90620-50-25	50	25	38.5	75	42.5	55	73	35	1
90620 00 007	90620-50-32	50	32	46	75	52	63.5	73	45	1
90620 00 008	90620-50-40	50	40	52	75	63	69	73	55	1
90620 00 009	90620-63-40	63	40	52	95	63	58	92	55	1
90620 00 010	90620-63-50	63	50	63.5	95	73	68	92	65	1
<b>Aluminium</b>										
90620 00 009 A	90620A-63-40	63	40	52	95	63	84.5	92	55	1
90620 00 010 A	90620A-63-50	63	50	63.5	95	73	92.5	92	65	1

**1** Remove the nut

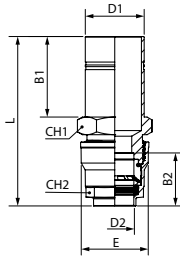


**2** Mount art. 90620



**90621**

REDUCER

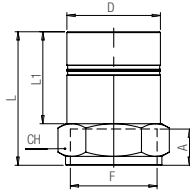


Code	Item	D1	D2	B1	B2	E	L	CH1	CH2	Pack.
Aluminium										
90621 00 011 A	90621A-50-25	50	25	68.5	40.5	49	140	55	35	2
90621 00 007 A	90621A-50-32	50	32	68.5	45	58	144	55	45	2
90621 00 008 A	90621A-50-40	50	40	68.5	52	63	139	65	55	2
90621 00 013 A	90621A-63-25	63	25	62	40.5	49	133.5	65	35	2
90621 00 012 A	90621A-63-32	63	32	62	45	58	137	65	45	2
90621 00 009 A	90621A-63-40	63	40	62	52	63	133.5	65	55	2

**90626**

FEMALE STEM ADAPTER

**NPTF**

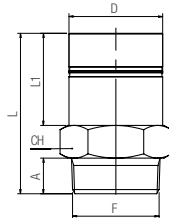


Code	Item	D	F (NPTF)	A	L	L1	CH	Pack.	
906260001CJNT	90626-20-08	20	1/2	13.5	55	35	27	2	
9062600013INT	90626-25-12	25	3/4	14	62.5	42	32	2	
9062600014INT	90626-32-16	32	1"	16.8	76.5	51	38	2	
Aluminium									
9062600115IAG	90626-40-20	40	1"1/4	17.3	81	55.5	50	2	
9062600116IAG	90626-50-24	50	1"1/2	17.3	90.5	68.5	55	2	
9062600117IAG	90626-63-32	63	2"	17.7	108	82	65	2	

**90628**

MALE STEM ADAPTER

**NPTF**

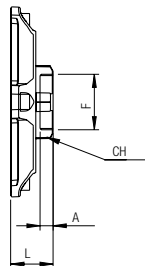


Code	Item	D	F (NPTF)	A	L	L1	CH	Pack.	
90628 00 01 CJ NT	90628-20-08	20	1/2	17	59	35	22	2	
90628 00 01 DH NT	90628-20-12	20	3/4	17.5	60.5	35	27	2	
90628 00 01 NF NT	90628-25-08	25	1/2	17	67	42	27	2	
90628 00 01 3I NT	90628-25-12	25	3/4	17.5	67.5	42	27	2	
90628 00 01 DL NT	90628-25-16	25	1"	21.5	73.5	42	34	2	
90628 00 01 4I NT	90628-32-16	32	1"	21.5	83.5	52	34	1	
90628 00 01 F7 NT	90628-32-24	32	1"1/2	23	89.5	52	50	1	
90628 00 01 NE NT	90628-40-24	40	1"1/2	23	93	55.5	50	1	
90628 00 01 6I NT	90628-50-24	50	1"1/2	23	106	68.5	55	1	
90628 00 01 G5 NT	90628-50-32	50	2"	23.5	112	68.5	65	1	
90628 00 01 7I NT	90628-63-32	63	2"	23.5	125.5	82	65	1	
90628 00 01 58 NT	90628-63-40	63	2"1/2	35	139	82	75	1	
Aluminium									
90628 00 11 7I AG	90628A-63-32	63	2"	23.5	125.5	82	65	1	
90628 00 11 58 AG	90628A-63-40	63	2"1/2	35	139	82	75	1	

**90631**

FEMALE REDUCER

**NPTF**



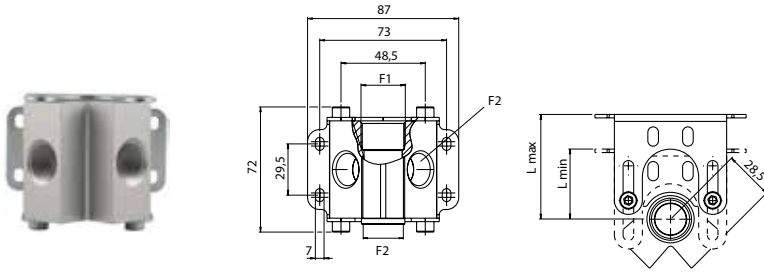
Code	Item	Tube	F (NPTF)	A	L	CH	Pack.
90631 00 005	90631-80-12	80	3/4	14	42	42	1
90631 00 006	90631-80-16	80	1"	17	42	49	1
90631 00 007	90631-80-24	80	1"1/2	17.5	42	66	1
90631 00 008	90631-80-32	80	2"	17.5	42	80	1
90631 00 001	90631-110-12	110	3/4	14	48	42	1
90631 00 002	90631-110-16	110	1"	17	48	49	1
90631 00 003	90631-110-24	110	1"1/2	17.5	48	66	1
90631 00 004	90631-110-32	110	2"	17.5	48	80	1
90631 00 009	90631-168-12	168	3/4	18	99.5	49	1
90631 00 010	90631-168-16	168	1"	23	102	80	1
90631 00 011	90631-168-32	168	2"	23.5	102	120	1

**90643**

2 WAY MANIFOLD

**NPTF**

Code	Item	F1(NPTF)	F2(NPTF)	N°	Lmax	Lmin	Pack.
90643 00 001	90643-08-08	1/2	1/2	2	60	35	1
90643 00 002	90643-12-08	3/4	1/2	2	60	35	1



APPLICATIONS EXAMPLE

90643  
90011  
80621



90643  
90721  
80621



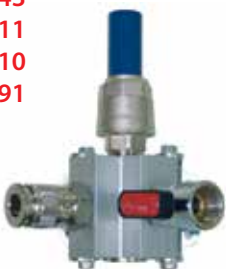
90643  
90011  
86310  
80621



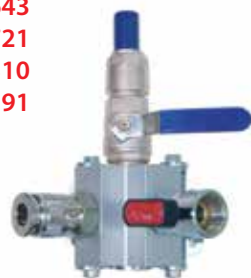
90643  
90721  
86310  
80621



90643  
90011  
86310  
80191



90643  
90721  
86310  
80191



90643  
90011  
80191



90643  
90721  
80191



90643  
90011  
82201  
N100  
80621

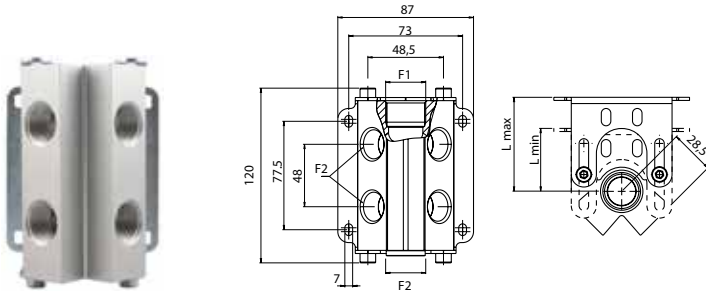


**90645**

4 WAY MANIFOLD

**NPTF**

Code	F1(NPTF)	F2(NPTF)	N°	Lmax	Lmin	Pack.
90645 00 001	90645-08-08	1/2	4	60	35	1
90645 00 002	90645-12-08	3/4	4	60	35	1



APPLICATIONS EXAMPLE

90645  
90011  
80621



90645  
90721  
80621



90645  
90011  
86310  
80621



90645  
90721  
86310  
80621



90645  
90011  
80191



90645  
90721  
80191



90645  
90011  
86310  
80191



90645  
90721  
86310  
80191



90645  
90011  
82201  
N100  
80621

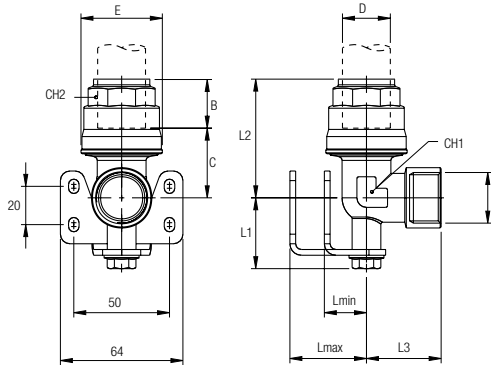


**90601**

SINGLE OUTLET

**NPTF**

Code	Item	D	F(NPTF)	B	C	E	L1	L2	L3	Lmax	Lmin	CH1	CH2	Pack.
90601 00 001	90601-20-08	20	1/2	31.5	19.5	34.5	35	51	35	40	22	21	30	4
90601 00 002	90601-25-08	25	1/2	38.5	23	42.5	37	62	39	40	22	26	35	3
90601 00 003	90601-32-08	32	1/2	46	28	62	41	74.5	48.5	40	26	34	45	2

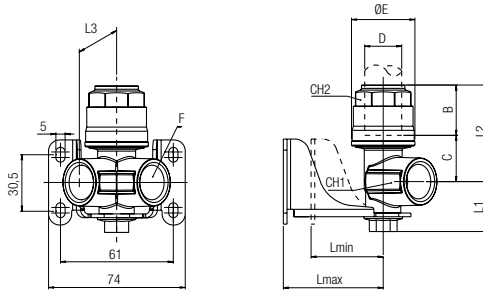


**90603**

DOUBLE OUTLET

**NPTF**

Code	Item	D	F(NPTF)	B	C	E	I	L1	L2	Lmin	Lmax	CH1	CH2	Pack.
90603 00 001	90603-20-08	20	1/2	31.5	20	34.5	28.5	27	51.5	22	54	26	30	2
90603 00 002	90603-25-08	25	1/2	38.5	21	42.5	28.5	27	59	22	54	26	35	2

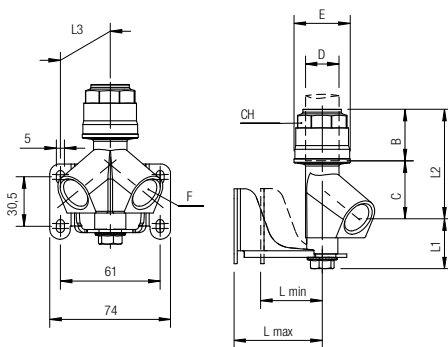


**90661**

INCLINED DOUBLE OUTLET

**NPTF**

Code	Item	D	F(NPTF)	B	C	E	L1	L2	L3	Lmin	Lmax	CH	Pack.
90661 00 001	90661-20-08	20	1/2	31.5	34.5	34.5	31	66	37.5	22	54	30	2
90661 00 002	90661-25-08	25	1/2	38.5	33	42.5	31	71.5	37.5	22	54	35	2

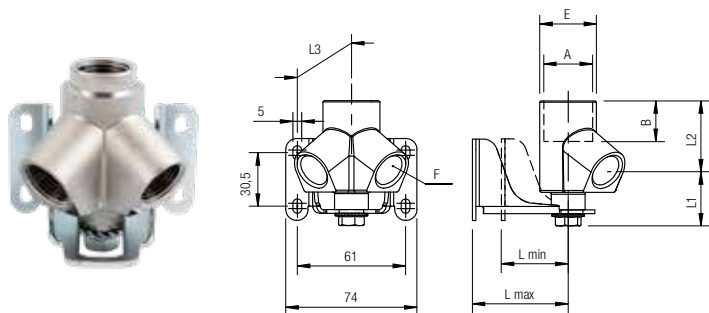


**90663**

THREADED INCLINED DOUBLE OUTLET

**NPTF**

Code	Item	A(NPTF)	F(NPTF)	B	E	L1	L2	L3	L <sub>min</sub>	L <sub>max</sub>	Pack.
90663 00 001	90663-08-08	1/2	1/2	13.5	32	31	40.5	37.5	22	54	2
90663 00 002	90663-12-08	3/4	1/2	14	32	31	39	37.5	22	54	2

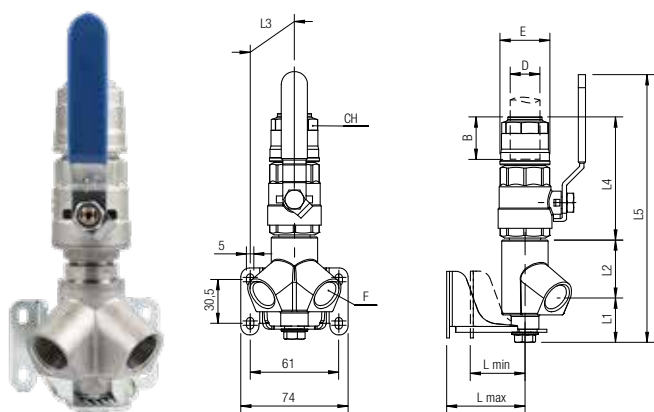


**90665**

INCLINED DOUBLE OUTLET WITH VALVE

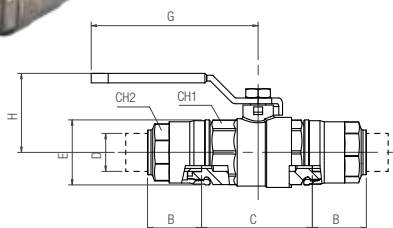
**NPTF**

Code	Item	D	F(NPTF)	B	E	L1	L2	L3	L4	L5	L <sub>min</sub>	L <sub>max</sub>	CH	Pack.
90665 00 001	90665-20-08	20	1/2	31.5	34.5	31	40.5	37.5	84.5	184	22	54	30	2
90665 00 002	90665-25-08	25	1/2	38.5	42.5	31	39	37.5	101.5	209	22	54	35	2

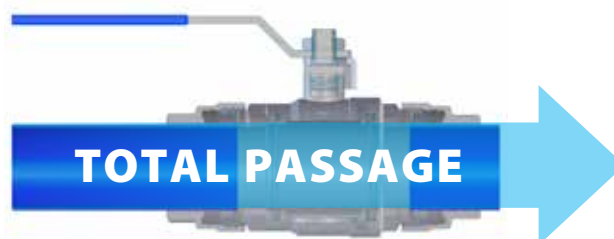


**90700**

BALL VALVE TUBE/TUBE - TOTAL PASSAGE



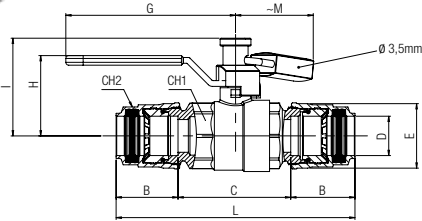
Code	Item	D	DN	B	C	E	L	CH1	CH2	G	H	Pack.
90700 00 001	90700-20	20	17	31.5	58.5	34.5	121.5	32	30	88	42	2
90700 00 002	90700-25	25	22	38.5	61.5	42.5	138.5	41	35	106	47.5	2
90700 00 003	90700-32	32	29	46	75	52	167	50	45	106	53	2
90700 00 004	90700-40	40	37	52.5	81	63	186	59	55	134	65	1
90700 00 005	90700-50	50	46	63.5	103	73	230	69	65	134	72.5	1
90700 00 006	90700-63	63	59	59	126	92	247	92	70	240	111.5	1
<b>Aluminium</b>												
90700 00 005 A	90700A-50	50	46	65	115	84	245	69	74	134	72.5	1
90700 00 006 A	90700A-63	63	59	57.5	126	94	232	89	75	240	111.5	1



The ball valves 90700 - 90710 are designed to guarantee full flow.  
We do not recommend using threaded ball valves because they reduce flow significantly.

**90705**

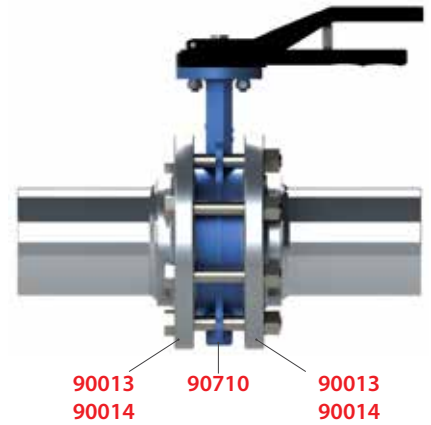
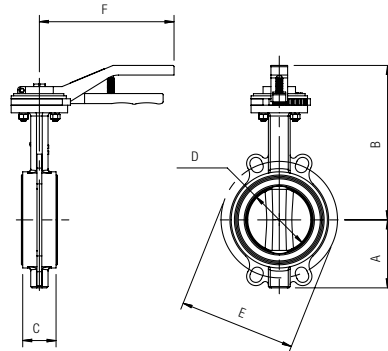
BALL VALVE TUBE/TUBE WITH PADLOCK



Code	Item	D	(DN)	B	C	E	L	CH1	CH2	G	H	I	M	Pack.
90705 00 001	90705-20	20	17	31.5	58.5	34.5	121.5	32	30	88	42	50.7	45	2
90705 00 002	90705-25	25	22	38.5	61.5	42.5	138.5	41	35	106	47.5	59.5	45	2
90705 00 003	90705-32	32	29	46	75	52	167	50	45	106	53	65	45	2
90705 00 004	90705-40	40	37	52.5	81	63	186	59	55	134	65	74.5	47	1
90705 00 005	90705-50	50	46	63.5	103	73	230	69	65	134	72.5	82	47	1
Aluminium														
90705 00 005 A	90705A-50	50	46	65	115	84	245	69	74	134	72.5	82	47	1

**90710**

BUTTERFLY VALVE + SCREWS + NUTS + WASHERS

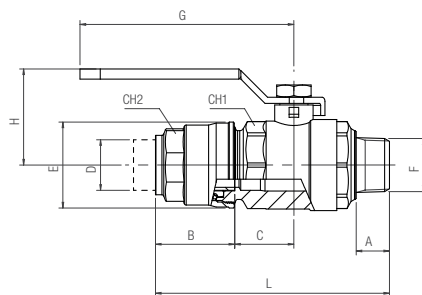


Code	Item	D	(DN)	A	B	C	E	F	Pack.
90710 00 002	90710-80	80	77	87	216	46	160	265	1
90710 00 001	90710-110	110	100	106	201	52	180	265	1
90710 00 003	90710-168	168	150	126	202	56	240	265	1

**90721**

MALE-TUBE BALL VALVE

**NPTF**

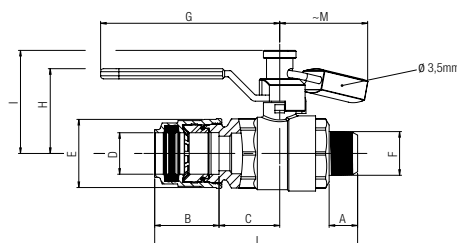


Code	Item	D	F(NPTF)	(DN)	A	B	C	E	L	CH1	CH2	G	H	Pack.
90721 00 001	90721-20-08	20	1/2	15	17	31.5	29.3	34.5	100.8	32	30	88	42	2
90721 00 002	90721-25-12	25	3/4	20	17.5	38.5	30.8	42.5	119.3	41	35	106	47.5	2

**90726**

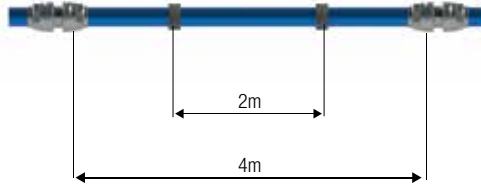
MALE-TUBE BALL VALVE WITH PADLOCK

**NPTF**

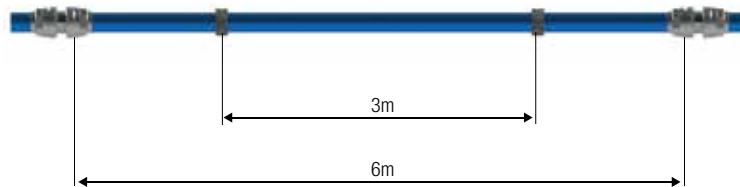


Code	Item	D	F(NPTF)	(DN)	A	B	C	E	L	CH1	CH2	G	H	I	M	Pack.
90726 00 001	90726-20-08	20	1/2	15	17	31.5	29.3	34.5	100.8	32	30	88	42	50.7	45	2
90726 00 002	90726-25-12	25	3/4	20	17.5	38.5	30.8	42.5	119.3	41	35	106	47.5	59.5	45	2

4 m Tube

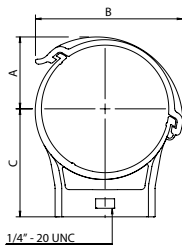


6 m Tube



**90818**

NYLON TUBE HANGER WITH 1/4" - 20 UNC NUT

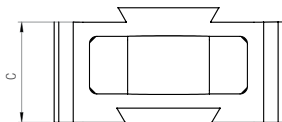


Code	Item	Tube	A	B	C	Pack.
90818 00 001	90818-20	20	15	35.5	26	5
90818 00 002	90818-25	25	17	39.5	26	5
90818 00 003	90818-32	32	20	44.5	40	5
90818 00 004	90818-40	40	24.5	53.5	40	5
90818 00 005	90818-50	50	30	62	54	5
90818 00 006	90818-63	63	36	73.5	54	5



**90817**

HANGER SPACER - FOR 90816



Code	Item	C	Pack.
90817 00 001	90817	14	5





**90811**

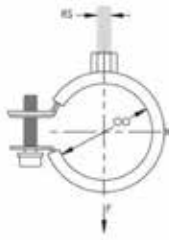
PLASTIC TUBE HANGER



Code	Item	Tube	Pack.
90811 00 009	90811-14	14	5
90811 00 001	90811-20	20	5
90811 00 002	90811-25	25	5
90811 00 003	90811-32	32	5
90811 00 004	90811-40	40	5
90811 00 005	90811-50	50	5
90811 00 006	90811-63	63	5
90811 00 007	90811-80	80	5
90811 00 008	90811-110	110	5

**90821**

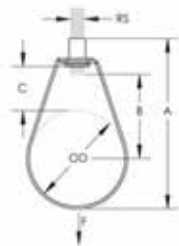
RUBBER LINED METAL HANGER



Code	Item	Tube	RS	B	Pack.
90821 00 001	90821-20	20	3/8"	29/32"	5
90821 00 002	90821-25	25	3/8"	29/32"	5
90821 00 003	90821-32	32	3/8"	29/32"	5
90821 00 004	90821-40	40	3/8"	29/32"	5
90821 00 005	90821-50	50	3/8"	29/32"	5
90821 00 006	90821-63	63	3/8"	29/32"	5

**90823**

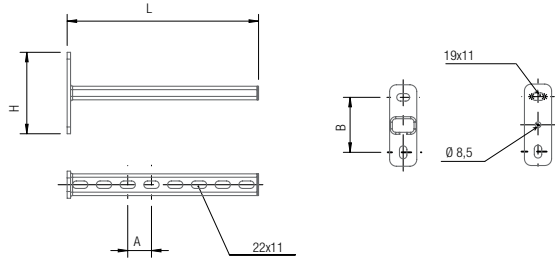
METAL CLEVIS HANGER



Code	Item	Tube	RS	A	B	C	Pack.
90823 00 001	90823-20	20	3/8"	2 13/16"	1 1/8"	1"	5
90823 00 002	90823-25	25	3/8"	3"	1 3/16"	15/16"	5
90823 00 003	90823-32	32	3/8"	3 1/4"	1 3/8"	15/16"	5
90823 00 004	90823-40	40	3/8"	3 9/16"	1 1/2"	15/16"	5
90823 00 005	90823-50	50	3/8"	4 1/4"	1 7/8"	15/16"	5
90823 00 006	90823-63	63	3/8"	5 15/16"	3 7/16"	2"	5
90823 00 007	90823-80	80	3/8"	6 9/16"	3 1/2"	1 15/16"	4
90823 00 008	90823-110	110	3/8"	7 9/16"	4"	1 15/16"	2
90823 00 009	90823-168	168	1/2"	11 5/16"	6 5/16"	3 5/16"	2

**90830**

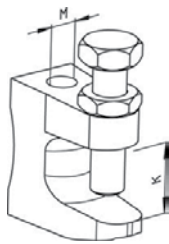
BRACKET



Code	Item	A	B	H	L	Pack.
90830 00 001	90830	35	81	120	280	1

**90862**

BEAM CLAMP



Code	Item	M	K	Pack.
90862 00 001	90862-3/8	Ø 3/8	3/4"	5
90862 00 002	90862-1/2	Ø 1/2	3/4"	5

**90870**

PIPE CUTTER



Code	Item	Pack.
90870 00 001	90870-20	20 - 63 1
90870 00 002	90870-50	50 - 110 1
90870 00 003	90870-110	110 - 168 1

**90880**

DE-BURRER



Code	Item	Pack.
90880 00 001	90880	20 - 25 - 32 - 40 1

**90881**

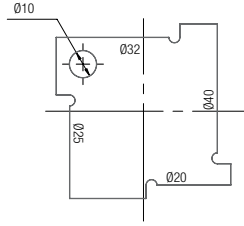
PREMIUM DE-BURRER



Code	Item	Pack.
90881 00 001	90881	20 - 25 - 32 - 40 - 50 1

**90885**

TUBE DEPTH MARKING TOOL



Code	Item	Pack.
90885 00 001	90885	20 - 25 - 32 - 40
		1

**VAL01**

DEMO CASE



Code	Item	Pack.
VAL01	VAL01	1
<ul style="list-style-type: none"> <li>- Straight Male Adapter 25mm x 1"</li> <li>- Straight Union</li> <li>- Union Elbow 20 mm</li> <li>- 20 Outlet Reducing Tee 25mm x 20 mm</li> <li>- 20 Saddle Clamp 32 mm x 20 mm</li> <li>- 08 90 Deg Dual Outlet 20 mm x 1/2" Female</li> <li>- 1/4" Multisocket x 1/2" Male</li> <li>- 1/4" Industrial Plug x 1/2" Male</li> <li>- Light Blue Tube 25 mm x 200 mm</li> <li>- Gray Tube 20 mm x 200 mm</li> <li>- Infinity Catalog</li> <li>- Infinity Pen</li> <li>- Infinity Sticker</li> </ul>		

**VAL03**

TOOL KIT



Code	Item	Pack.
VAL03	VAL03	1
<ul style="list-style-type: none"> <li>- 90241-25 Hole Saw For Saddle Clamp Conector - 25 mm</li> <li>- 90241-32/40 Hole Saw For Saddle Clamp Conector - 32/40 mm</li> <li>- 90242-32 Drilling Jig - 32 mm</li> <li>- 90242-40 Drilling Jig - 40 mm</li> <li>- 90249-25 Compact Drilling Jig - 25 mm</li> <li>- 90870-20-63 Pipe Cutter</li> <li>- 90880 Deburrer</li> <li>- 90885 Dima Mark Tube</li> <li>- InfinityCatalog</li> <li>- Infinity Pen</li> </ul>		

**90889**

LABEL INFINITY VACUUM



Code	Item	Pack.
90889 00 001	90889	10

**90680**

NUT



Code	Item	D	L	E	CH2	Pack.
90680 00 001	90680-20	20	33	34.5	30	10
90680 00 002	90680-25	25	39	42.5	35	6
90680 00 003	90680-32	32	46.5	52	45	4
90680 00 004	90680-40	40	53	63	55	4
90680 00 005	90680-50	50	62	73	65	2
90680 00 006	90680-63	63	58	92	70	2
Aluminium						
90680 00 005A	90680A-50	50	73.5	84	72	1
90680 00 006A	90680A-63	63	64	94	75	1

**90680 Ø 80-110-168**

NUT



Code	Item	D	L	E	Pack.
90680 00 007	90680-80	80	49.5	145	1
90680 00 008	90680-110	110	68	200	1
90680 00 009	90680-168	168	85	306	1

**CONDENSED DRAIN**

APPLICATIONS EXAMPLE

90259



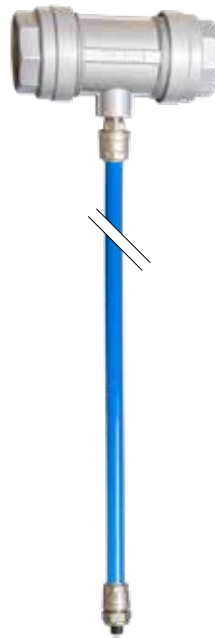
90031 - 20 1/2  
90976 - 1/2  
90985  
CON310001  
SOL20024C500

90259



90260 - 20

90251  
90011 - 20 1/2



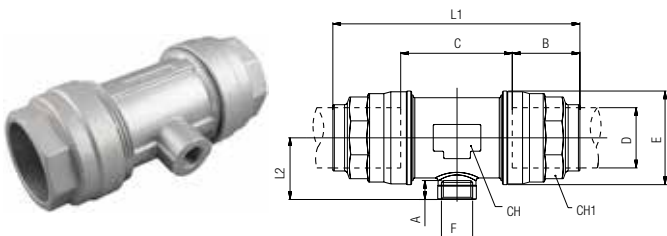
90260 - 20

**90251**

**NPTF**

FEMALE FITTING WITH CONDENSE EXHAUST INCORPORATED

Code	Item	D	F(NPTF)	A	B	C	E	L1	L2	CH	CH1	Pack.
Aluminium												
90251 00 017 A	90251A-63-08	63	1/2	13.5	57.5	88	94	203	53	80	75	1

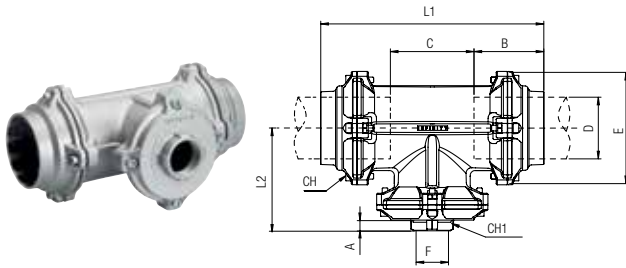


**90251 Ø 80-110**

**NPTF**

FEMALE FITTING WITH CONDENSE EXHAUST INCORPORATED

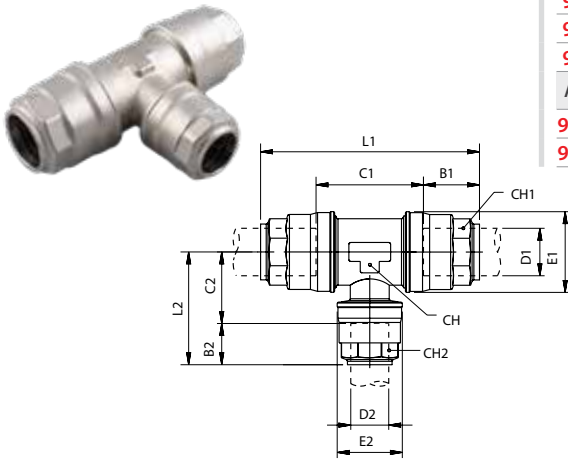
Code	Item	D	F(NPTF)	A	B	C	E	L1	L2	CH	CH1	Pack.
90251 00 002	90251-80-12	80	3/4	14.5	91	109	145	291.5	138	6	42	1
90251 00 001	90251-110-12	110	3/4	14	91	109	145	400	180	6	42	1



**90259**

FITTING WITH CONDENSE EXHAUST INCORPORATED

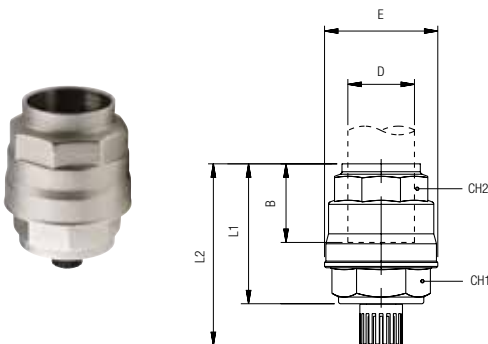
Code	Item	D1	D2	B1	B2	C1	C2	E1	E2	L1	L2	CH	CH1	CH2	Pack.
90230 00 001	90230-20-20	20	20	31.5	31.5	34.5	22.5	34.5	34.5	98	54.5	21	30	30	3
90259 00 002	90259-25-20	25	20	46	31.5	54.5	31.5	52	34.5	146.5	63	45	45	30	2
90259 00 003	90259-32-20	32	20	46	38	54.5	31.5	52	42.5	146.5	70	45	45	35	2
90259 00 004	90259-40-20	40	20	52.5	31.5	60	34.5	63	34.5	165.5	66	55	55	30	2
90259 00 005	90259-50-20	50	20	52.5	38	60	34.5	63	42.5	165.5	73	55	55	35	2
90259 00 006	90259-63-20	63	20	59	31.5	86	49.5	92	34.5	204.5	81	80	70	30	1
Aluminium															
90259 00 005 A	90259A-50-20	50	20	58.5	33	105	57	84	40	222	90	69	72	30	2
90259 00 006 A	90259A-63-20	63	20	57.5	33	87.5	64.5	94	40	205.5	97	80	75	30	2



**90260**

FITTING WITH CONDENSE EXHAUST INCORPORATED

Code	Item	D	B	E	L1	L2	CH1	CH2	Pack.
90260 00 001	90260-20	20	36	34.5	52.5	67	32	30	2





**TECHNICAL CHARACTERISTICS**

**2/2 NC**



**Component Parts and Materials**

- 1 Body: Brass
- 2 Seals: NBR
- 3 Welded armature tube: Stainless steel
- 4 Fixed and mobile core: Stainless steel
- 5 Springs: Stainless steel



**Operator diameter**

**13 mm**



**Maximum allowable pressure**

**16 bar**



**Degree of filtration**

**500 µm**



**Room temperature with coil class H**

**14° F ~ 158° F**  
**-10° C ~ +70° C**



**Fluids**

Air / inert gas / water max 75 °C



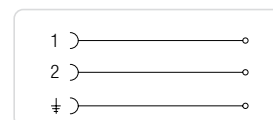
**Digital timer DIN 43650A (Features)**

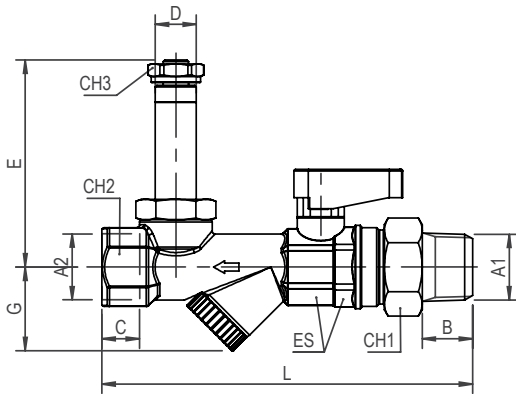
- **Insulation Voltage: 100V AC - 1 minute**
- **Insulation Resistance: 50MΩ (500VDC)**
- **IP65 - EN6052**
- **Output Current: 1.5 A Max**
- **1 Sec. - 100 Hours -> ON**
- **1 Sec. - 100 Hours -> OFF**
- **4 DIGIT: Mode/Add/Enter/Reset**



**Schema elettrico**

- Wiring*
- Elektroschema*
- Schéma électrique*
- Esquema eléctrico*
- Esquema elétrico*





**UL 429 & CSA C22.2 NO. 139-13**

Ø mm	Viscosity	Kv m3/h	Power	ΔP bar	
	Max cSt	EXH	Voltage 110V AC / 50-60 Hz	Min	Max
			VA		
3	53	0.21	21	0	30

Code	Item	A1 (NPTF)	A2 (NPTF)	B	C	D	CH1	CH2	CH3	L	E	ES	G	Cable
909764 D2 4 2	90976-06-08	3/8	1/2	11.5	12	13	27	25	16	113.5	65.5	22 - 23	26.5	2 MT / 6.5 ft.
909765 D2 4 2	90976-08-08	1/2	1/2	16	12	13	27	25	16	117.5	65.5	22 - 23	26.5	2 MT / 6.5 ft.



**80191**

1/4" MALE MULTI-SOCKET



Code	Item	A NPTF
80191 00 001	80191-04	1/4
80191 00 002	80191-06	3/8
80191 00 003	80191-08	1/2

**80192**

1/4" FEMALE MULTI-SOCKET



Code	Item	A NPTF
80192 00 001	80192-04	1/4
80192 00 002	80192-06	3/8
80192 00 003	80192-08	1/2

**80221**

1/4" INDUSTRIAL MALE STUD



Code	Item	A NPTF
80221 00 01 03 NB	80221-04	1/4
80221 00 01 04 NB	80221-06	3/8
80221 00 01 05 NB	80221-08	1/2

**80222**

1/4" INDUSTRIAL FEMALE STUD



Code	Item	A NPTF
80222 00 01 03 NB	80222-04	1/4
80222 00 01 04 NB	80222-06	3/8
80222 00 01 05 NB	80222-08	1/2

**80231**

3/8" INDUSTRIAL MALE STUD



Code	Item	A NPTF
80231 00 01 04 NB	80231-06	3/8
80231 00 01 05 NB	80231-08	1/2

**80232**

3/8" INDUSTRIAL FEMALE STUD



Code	Item	A NPTF
80232 00 01 04 NB	80232-06	3/8
80232 00 01 05 NB	80232-08	1/2

**80621**

1/4" INDUSTRIAL MALE SAFETY COUPLER



Code	Item	A NPTF
80621 00 001	80621-04	1/4
80621 00 002	80621-06	3/8
80621 00 003	80621-08	1/2

**80622**

1/4" INDUSTRIAL FEMALE SAFETY COUPLER



Code	Item	A NPTF
80622 00 001	80622-04	1/4
80622 00 002	80622-06	3/8
80622 00 003	80622-08	1/2

**82320**

1/2" SWIFT-FIT PLUG



Code	Item	A NPTF
82320 00 005	82320-08	1/2

**82600**

WYE OUTLET



Code	Item	A NPTF
82600 00 01 05 NB	82600-08-08	1/2

**86300**

FEMALE X FEMALE MINI BALL VALVE



Code	Item	A NPTF
86300 00 004	86300-08-08	1/2

**86310**

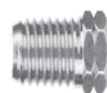
MALE X FEMALE MINI BALL VALVE



Code	Item	A NPTF
86310 00 003	86310-06-06	3/8
86310 00 004	86310-08-08	1/2
86310 00 005	86310-12-12	3/4

**82280**

MALE X FEMALE REDUCER



Code	Item	A NPTF
82280 00 01 AE NB	82280-08-04	1/2

**80194**

3/8" MALE MULTI-SOCKET



Code	Item	A NPTF
80197 00 001	80194-06	3/8
80197 00 002	80194-08	1/2

**80195**

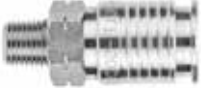
3/8" FEMALE MULTI-SOCKET



Code	Item	A NPTF
80198 00 001	80195-06	3/8
80198 00 002	80195-08	1/2

**60191**

1/4" STAINLESS STEEL MALE MULTI-SOCKET



Code	Item	A NPTF
83191 00 001	60191-04	1/4

**60192**

1/4" STAINLESS STEEL FEMALE MULTI-SOCKET



Code	Item	A NPTF
83192 00 001	60192-04	1/4

**60221**

1/4" STAINLESS STEEL INDUSTRIAL MALE STUD



Code	Item	A NPTF
83221 AX 44 03 00	60221-04	1/4

**60222**

1/4" STAINLESS STEEL INDUSTRIAL FEMALE STUD



Code	Item	A NPTF
83222 AX 44 03 00	60222-04	1/4

**INFINITY 20-YEAR LIMITED WARRANTY**

**Limited warranty coverage**

Unless otherwise specified by the product seller in a separate written product warranty accompanying the product or specified in the seller's product catalogue (in which case such other product warranty shall control), aignep usa "Aignep" warrants to the end user (as defined below) that its infinity fittings and aluminum tubes "products" shall be free from substantial defects in materials and workmanship for a period of twenty (20 years) from the installation date (as defined below).

For purposes of this warranty, "end user" shall mean the facility in which the products are first installed; "installation date" shall mean the date on which the products are first installed at the end user's facility.

**Exclusions from limited warranty coverage**

This warranty does not cover the following:

- Normal wear and tear;
- Damage or failure resulting from:
  - Use of any non-aignep parts or components with the products;
  - Use of unacceptable fluids with the products (acceptable fluids are filtered and dried compressed air, vacuum and inert gases);
  - Failure to properly store, install, operate, use, or maintain the products in compliance with aignep's published specifications and instructions;
  - Intentionally bent, welded, twisted, or deformed tubes;
  - Alteration, abuse, misuse, neglect, or accident;
  - Installation in an inappropriate or aggressive environment (at a minimum, the products must be installed and used in an environment that is compatible with aluminum, brass, and nbr seals);
  - Failure to protect the installation against mechanical shocks and vibrations;
  - Disaster (e.G., Fire, flood, wind, freezing) or other causes beyond the control of aignep; and
- Damage or alterations by third parties other than aignep or an aignep authorized representative.
- **Failure to use the products in accordance with the applicable instructions and guidelines will void your warranty coverage and could create a safety risk.** Actions that will void this warranty include, but are not limited to, the following:
  - Use of non-genuine parts with the products;
  - Use of the products with water or other unacceptable fluids; and
  - Use of the products in an unacceptable or aggressive environment.
- **Installer must adhere to all applicable plumbing, fire, and building codes. Failure to do so will void this warranty and could create a safety risk.**

**Warranty period**

The warranty period runs for twenty (20 years) from the installation date. Any replacement products provided pursuant to this warranty will not extend the warranty period, the warranty period for such replacement products will run from the original installation date.

**These warranty terms apply to the end user only.**

Coverage under this warranty terminates if the end user sells or otherwise transfers the products, or if the end user sells or otherwise transfers the facility in which the products are installed.

**What aignep will do for warranty claims**

If, after inspecting the products, aignep determines that you have a valid warranty claim based on the terms set forth in this warranty, aignep will either (i) replace the products, or (ii) in aignep's sole and exclusive discretion, refund the amount that end user paid for such products at the time of end user's original purchase.

**What you must do to obtain warranty service**

To obtain warranty service, you must provide written notice of your potential warranty claim to aignep within ten (10) days of the time you discover, or should have discovered, the potential warranty claim. You must also provide documentation showing the date on which the products were first installed at your facility. This written notice and documentation must be sent to aignep via mail to the following address:

Aignep usa  
 Attn: service department  
 7121 Loblolly pine blvd.  
 Fairview, tn 37062

**Limitation of remedies**

Under no circumstances will aignep be liable to end user or any other person for injury or damages of any kind when the product is misused or not used in accordance with aignep's published specifications and instructions. The above remedies shall be end user's sole remedies under the terms of this limited warranty. In no event will aignep's liability exceed the purchase price of the product. Aignep shall not be liable for any consequential, punitive, or incidental damages, including but not limited to damages for installation labor; loss of production, profit, or revenue; lost business; or business interruption.

**Implied warranties**

Except as expressly provided in these terms and conditions, all implied warranties are excluded to the fullest extent permitted by law. In particular, aignep makes no warranty regarding the merchantability of the products or their suitability or fitness for any particular purpose, and disclaims any other warranties, express or implied.

