





## EXCELLENT SOLUTIONS IN FLUIDTECHNOLOGY

*Da oltre 45 anni, Aignep è leader nella produzione di raccordi per aria compressa e fluidi industriali. Grazie ad uno spirito innovativo costante la nostra azienda ha maturato una esperienza di successo in vari settori della automazione industriale con prodotti di alta qualità e design quali: cilindri ed elettrovalvole, la linea di valvole per controllo dei fluidi "FLUIDITY", la linea di distribuzione di aria compressa "INFINITY", raccordi e innesti speciali per ogni tipo di fluido.*

*Tutti i prodotti sono progettati da un team di ingegneri qualificati e fabbricati in Italia nel sito produttivo di Bione, 25.000 mq. Sono oltre 14.000 articoli standard a catalogo e innumerevoli versioni speciali disponibili su richiesta.*

*L'azienda investe ogni anno in automazione, innovazione e servizi per soddisfare le richieste della clientela mondiale. Proprio per essere più vicini ai nostri clienti la nostra azienda conta 11 filiali in USA, Spagna, Francia, Svizzera, Brasile, Colombia, Cina, Russia, Germania, Messico e Vietnam assumendo dunque una dimensione multinazionale.*

*"EXCELLENT SOLUTIONS IN FLUIDTECHNOLOGY"*

*"Ascoltare e capire i nostri clienti è la forza che ci spinge a sviluppare ogni giorno nuove soluzioni per fluidi e aria compressa"*

**GRAZIANO BUGATTI**  
Amministratore Delegato

### **Excellent solutions in Fluidtechnology**

*For over 45 years, Aignep has been a leading manufacturer of fluid and compressed air FITTINGS. Driven by a constant desire for innovation, our company has gained successful experience in various fields of industrial AUTOMATION with high quality and design products such as: cylinders, pneumatic valves, the "FLUIDITY" line with solenoid control valves for fluids, the "INFINITY" line for compressed air distribution, special fittings and QUICK COUPLING for any types of fluid.*

*All products are designed by a team of qualified engineers and they are manufactured in the production site of Bione, Italy, covering 25.000 m<sup>2</sup>. We have over 14.000 standard items ex stock and countless special versions available on request. Aignep invests every year in industrial automation, innovation and services to meet the worldwide customers' demands. In order to stay closer to our customers, our company has 11 branches spread around the globe: USA, Spain, France, Switzerland, Brasil, Colombia, China, Russian, Germany, Mexico and Vietnam becoming a multinational Group.*

*"Excellent solutions in fluidtechnology"*

*"Listening to our customers, understanding their needs is the power that drives us to develop everyday new solutions for fluid and compressed air".*



## Ausgezeichnete Lösungen in der Fluidtechnik

Seit über 45 Jahren ist Aignep führender Hersteller von Steckverbindungen für Druckluft und industrielle Medien. Dank unserem ständigen Streben nach neuen innovativen Lösungen, hat unser Unternehmen in verschiedenen Bereichen der industriellen Automatisierung sehr gute Ergebnisse erzielt. Unsere Produkte sind weithin bekannt für hochwertige Qualität und italienisches Design: Pneumatik-Zylinder und Ventile, Fluidsteuerventile "FLUIDITY", das Druckluftverteilungssystem "INFINITY", spezielle Kupplungen und Armaturen für alle Medien.

Alle Produkte werden von einem Team qualifizierter Ingenieure entwickelt und in der 25.000 Quadratmeter grossen Produktionsstätte in Bione (Italien) hergestellt. Mehr als 14.000 Standardprodukte stehen im Katalog und unzählige spezielle Ausführungen gibt es auf Anfrage.

Das Unternehmen investiert jährlich in die Automatisierung, Entwicklung und den Service, um den Anforderungen der Kunden weltweit gerecht zu werden. Um unseren Kunden noch näher zu sein, auf dem Weg zu einem multinationalen Konzern, hat unser Unternehmen 11 regionale Niederlassungen: in den USA, Spanien, Frankreich, der Schweiz, Brasilien, Kolumbien, China, Russland, Deutschland, Mexiko und Vietnam.

"Excellent solutions in fluidtechnology"

"Unseren Kunden zuhören und Ihre Bedürfnisse verstehen, ist die treibende Kraft, damit wir jeden Tag neue Lösungen entwickeln für Flüssigkeiten und Druckluft."

## Excellentes solutions dans la Technologie des Fluides

Depuis plus de 45 ans, Aignep est leader dans la fabrication de raccords pour air comprimé et de nombreux fluides industriels. Notre société animée par un esprit d'innovations constant nous conduit à d'excellents résultats dans divers secteurs de l'automatisation industrielle.

Nos produits sont largement reconnus pour leur haute qualité: raccords basse pression et coupleurs rapides tous fluides, composants pneumatiques, électrovannes "FLUIDITY", réseau pour air comprimé "INFINITY".

Tous les produits sont conçus par une équipe d'ingénieurs ayant une forte expérience professionnelle et fabriqués en Italie sur le site de production de Bione, 25.000 m<sup>2</sup>. Plus de 14.000 articles standards sont présents dans notre catalogue général avec possibilité de nombreuses versions spéciales sur demande.

Chaque année Aignep investit dans l'automatisation, l'innovation et les services pour encore mieux répondre aux exigences de nos clients présents sur tous les continents.

Aignep est également représenté avec ses 11 filiales: États-Unis, Espagne, France, Suisse, Brésil, Colombie, Chine, Russie, Allemagne, Mexique et Vietnam prenant ainsi une dimension multinationale.

"Excellent solutions in fluidtechnology"

"L'écoute de nos clients, comprendre leurs besoins nous pousse à développer tous les jours, de nouvelles solutions pour l'air comprimé et les fluides industriels."

## Soluciones excelentes en la Tecnología de Fluidos

Desde hace más de 45 años, Aignep es un fabricante líder de racores para aire comprimido y fluidos industriales. Gracias a un espíritu innovador constante, nuestra empresa ha adquirido una experiencia exitosa en diversos campos de la automatización industrial con productos de alta calidad y diseño tales como: cilindros y válvulas, la línea de válvulas de control de fluidos "FLUIDITY", la línea de distribución aire comprimido "INFINITY", acoplamientos y accesorios especiales para cada tipo de fluido.

Todos los productos son diseñados por un equipo de ingenieros cualificados y fabricados en Italia en el centro de producción de Bione, 25.000 metros cuadrados. Hay más de 14.000 productos de catálogo estándar y un sin número de versiones especiales disponibles bajo petición. La empresa invierte anualmente en la automatización, innovación y servicios para satisfacer las demandas de los clientes globales. Sólo para estar más cerca de nuestros clientes nuestra compañía tiene 11 sucursales en el EE.UU., España, Francia, Suiza, Brasil, Colombia, China, Rusia, Alemania, México y Vietnam asumiendo así una dimensión multinacional.

"Excellent solutions in fluidtechnology"

"Escuchar y comprender a nuestros clientes es la fuerza que nos impulsa a desarrollar cada día nuevas soluciones para aire comprimido y fluidos."

## Soluções de Excelência em Tecnologia de Fluidos

Por mais de 45 anos, a Aignep é um dos líderes na fabricação de conexões para ar comprimido e fluidos industriais. Nossa companhia é guiada por um espírito de constante inovação o qual nos trouxe grandes resultados em vários setores da automação industrial. Nossos produtos são amplamente conhecidos por sua alta qualidade e design italiano: cilindros pneumáticos e válvulas solenóide, válvulas de processo e controle de fluidos "FLUIDITY", rede de ar comprimido "INFINITY", conexões e engates rápidos para todos os tipos de fluidos. Todos os nossos produtos são desenvolvidos por um time de profissionais extremamente dedicado e capacitado, e são fabricados na tália em nossa planta localizada em Bione, com 25.000 m<sup>2</sup>. Mais de 14.000 itens standard estão disponíveis em nosso catálogo e inúmeras versões especiais são desenvolvidas por encomenda de nossos clientes. Todo ano a Aignep investe em automação, inovação e serviços de forma a satisfazer às demandas de nossa base mundial de clientes. De forma a estar próxima de nossos cliente nossa empresa possui 11 subsidiárias: Estados Unidos, Espanha, França, Suíça, Brasil, Colômbia, China, Rússia, Alemão, México e Vietnam tornando-se um forte grupo multinacional.

"Excellent solutions in fluidtechnology"

"Ouvir nosso clientes e entender suas necessidades é o poder que nos direciona e motiva diariamente no desenvolvimento de novas soluções para os campos de fluidos e ar comprimido."



---

### **AIGNEP SPA - Headquarter**

Via Don G. Bazzoli - 34  
25070 Bione (BS)  
ITALY

T: +39 0365 896626  
F: +39 0365 896561

[aignep.it@aignep.com](mailto:aignep.it@aignep.com)

Fluidity division:

Via Archimede - 31  
20864 Agrate Brianza (MB)  
ITALY

---

### **AIGNEP USA LLC**

7121 Loblolly Pine Blvd  
Fairview, TN 37062  
U.S.A.

T: +1 615 771 6650  
F: +1 615 771 0926

[aignep.usa@aignep.com](mailto:aignep.usa@aignep.com)

Sucursal:

Greater Toronto Area  
CANADA

T: +1 647 473 6802  
[aignep.ca@aignep.com](mailto:aignep.ca@aignep.com)

---

### **AIGNEP IBERICA SA**

Pol. Ind. el Tortuguer "Can Prat"  
Naves 23 y 24 08691  
Monistrol de Montserrat - Barcelona  
SPAIN

T: +34 93 828 47 36  
F: +34 93 828 44 32

[aignep.es@aignep.com](mailto:aignep.es@aignep.com)

---

### **AIGNEP FRANCE SARL**

Rue du Tertre, 1A - 44470  
Carquefou  
FRANCE

T: +33 27 22 42 650

[aignep.fr@aignep.com](mailto:aignep.fr@aignep.com)

---

### **AIGNEP (Wuxi) FLUID TECHNOLOGY CO., LT D.**

NO. 8, Yanggong Road, Nanhu  
Main Road, Wuxi Jiangsu.  
CHINA

T: +86 0510 8544 1923  
F: +86 0510 8540 0223

[aignep.cn@aignep.com](mailto:aignep.cn@aignep.com)

---

### **AIGNEP RUS LLC.**

Ryazansky prosp. h. 22, build.  
2, office 723, 109428 - Moscow  
RUSSIAN

T: +7 49 5143 6286

[aignep.ru@aignep.com](mailto:aignep.ru@aignep.com)

### *Distribution network in:*

ALBANIA ALGERIA ARGENTINE AUSTRALIA AUSTRIA AZERBAIGIAN BELARUS BELGIUM BOLIVIA BOSNIA  
HERZEGOVINA **BRASIL** BULGARIA CAMEROON CANADA CHILE **CHINA COLOMBIA** COSTA RICA CROATIA CYPRUS  
CZECH REPUBLIC DEM. REP. CONGO DENMARK ECUADOR EGYPT EIRE ESTONIA ETHIOPIA FINLAND **FRANCE**  
**GERMANY** GHANA GREAT BRITAIN GREECE GUATEMALA HONG KONG HUNGARY ICELAND INDIA INDONESIA  
IRAN IRAQ ISRAEL **ITALY** IVORY COAST JAPAN JORDAN KAZAKISTAN KUWAIT LATVIA LEBANON LITHUANIA

## AIGNEP AG

Industriestrasse 22A  
CH-2545 Selzach  
SWITZERLAND

T: +41 32 342 09 09

F: +41 32 342 09 11

[aignep.ch@aignep.com](mailto:aignep.ch@aignep.com)

## AIGNEP DO BRASIL COMERCIO DE COMPONENTES PARA AUTOMAÇÃO LTDA

Rua Batista Pereira, 99 - Macuco  
Vila Mathias - 11015-011 - Santos/SP  
BRASIL

T: +55 13 2138 4049

F: +55 13 2138 4052

[aignep.br@aignep.com](mailto:aignep.br@aignep.com)

## AIGNEP LATAM SAS

Sede:

Calle 15, N 27-78, Local 7  
Sec. Paloquemao - 111411  
Bogotá  
COLOMBIA

T: +57 601 375 2501/8

T: +57 601 744 2086

T: +57 601 745 2736

Sucursal:

Carrera 50 FF, N 8 Sur - 27  
Ofi 404 Edificio 8908 - 050023  
Medellin  
COLOMBIA

T: +57 46 04 25 34

T: +57 46 04 21 87

[aignep.latam@aignep.com](mailto:aignep.latam@aignep.com)

## AIGNEP DEUTSCHLAND GMBH

Sitz der Gesellschaft: 48739 Legden  
Industriepark 2  
GERMANY

T: +49 2566 7039 290

F: +49 2566 7039 299

[aignep.de@aignep.com](mailto:aignep.de@aignep.com)

## AIGNEP MÉXICO S.A DE C.V.

Año de Juárez, 177 - 09070  
Bodega 2, Granjas de San Antonio  
Iztapalapa  
MEXICO

T: +52 55 5686 1421

F: +52 55 5686 1575

[aignep.mx@aignep.com](mailto:aignep.mx@aignep.com)

## AIGNEP VIETNAM COMPANY LIMITED

No.5, Street 3, Lakeview City, Thu  
Duc City Ho Chi Minh City  
VIETNAM

T: +84 09 7369 4501

[aignep.vn@aignep.com](mailto:aignep.vn@aignep.com)

LUXEMBOURG MALAYSIA MAROCCO **MEXICO** MOLDOVA NEW ZELAND NICARAGUA NIGERIA NORTH MACEDONIA  
NORWAY OMAN PAKISTAN PERU PHILIPPINES POLAND PORTUGAL QATAR REPUBLIC OF DOMINICANA  
REPUBLIC OF MACEDONIA ROMANIA **RUSSIAN** SAUDI ARABIA SENEGAL SERBIA SINGAPORE SLOVAKIA  
SLOVENIA SOUTH AFRICA SOUTH KOREA **SPAIN** SWEDEN **SWITZERLAND** TAIWAN TANZANIA THAILAND  
THE NETHERLANDS TUNISIA TURKEY UKRAINE UAE URUGUAY **USA** **VIETNAM** YEMEN

...more information at: [sales@aignep.it](mailto:sales@aignep.it)

# Certifications



**CERTIFICATO n. 0055/8**  
**CERTIFICATE No. 0055/8**

SI CERTIFICA CHE IL SISTEMA DI GESTIONE PER LA QUALITÀ DI  
 MEMBERSHIP CERTIFY THAT THE QUALITY MANAGEMENT SYSTEM OPERATES AS

**AIGNEP S.P.A.**  
 Sede e Unità Operativa  
 Via Don Bazzoli, 34 - 25070 Bione (BS) - Italia  
 Divisione e uffici amministrativi, progettazione, produzione e montaggio, magazzino.  
 Unità Operativa  
 Via Industriale, 1 - 25070 Bione (BS) - Italia  
 Montaggio e magazzino.

È CONFORME ALLA NORMA ISO A COMPLIANCE WITH THE STANDARD

**UNI EN ISO 9001:2015**  
 Sistema di Gestione per la Qualità / Quality Management System  
 PER LE SEGUENTI ATTIVITÀ / FOR THE FOLLOWING ACTIVITIES

**EA: 17**

Progettazione e fabbricazione di: raccordi; valvole a sfera per l'impiantistica pneumatica, idraulica e idraulica; componenti per il trattamento dell'aria compressa (FRL); cilindri pneumatici; elettrovalvole pneumatiche e per fluidi; sistemi di distribuzione dell'aria compressa.  
 Design and production of: fittings; ball valves for pneumatic, hydraulic and plumbing applications; components for compressed-air treatment (FRL); pneumatic cylinders; pneumatic and fluid electromagnetic valves; distribution systems for compressed-air.

Il presente documento è valido e applicabile a partire dal 11/12/2018.

Data emissione / First issue 11/12/2018	Emissione corrente / Current issue 11/09/2018	Data di scadenza / Expiry date 17/09/2020
---	---	---

**ACCREDIA** **CISQ**



THE INTERNATIONAL CERTIFICATION NETWORK

## CERTIFICATE

CISQ/ICIM SPA has issued an IQNet recognized certificate that the organization:

**AIGNEP S.P.A.**  
 Head Office and Operative Unit  
 Via Don Bazzoli, 34 - I-25070 Bione (BS)  
 Operative Unit  
 Via Industriale, 1 - I-25070 Bione (BS)

has implemented and maintains a  
**Quality Management System**  
 for the following scope:

**Design and production of: fittings; ball valves for pneumatic, hydraulic and plumbing applications; components for compressed-air treatment (FRL); pneumatic cylinders; pneumatic and fluid electromagnetic valves; distribution systems for compressed-air.**  
 which fulfils the requirements of the following standard:

**ISO 9001:2015**  
 Issued on: 2018-09-11  
 First issued on: 1992-12-11  
 Expires on: 2020-09-17

This attestation is directly linked to the IQNet Partner's original certificate and shall not be used as a stand-alone document.


Registration Number: IT-3755

**AIGNEP** **CISQ**

Alex Stochitius  
 President of IQNET

Ing. Claudio Proveni  
 President of CISQ

IQNet Partner\*  
 AIGNEP, Spain; AIGNEP Certification, France; APCER, Portugal; CCC, Cyprus; CIDQ, Italy;  
 FDC, China; GUM, Korea; IQN, Czech & Republic; CEN, Czech; Eurocert, DQV, Building Control, Germany; FCA, IV, Brazil;  
 HONKONGOMA, Hong Kong; IQNET, Colombia; Inspira, Switzerland; Oly, Finland; PDPECO, Czech; RMA,  
 BRAE, Argentina; RMA, Japan; RQ, Korea; RBT, Chile; GINTE, Mexico; MET, Hungary; Simtek, AS, Norway; NSM, Ireland;  
 NICE, 2002, Slovenia; PCW, Poland; Quality, Austria; Aeron, BR, Bosnia; SIF, Czech; SIB, Slovenia;  
 SIBINGSA, International; Alcatraz, NG, Switzerland; BRAC, Romania; TEST, in Petrobrás, Russia; TSE, Turkey; UUG, Serbia;  
 IQNet is represented in the USA by: AIGNEP Certification, CIDQ, DQS, Holding GmbH and NSM Inc.



October 18, 2017

CATHERINE DIPLOCK  
 PRESSURE VESSEL ENGINEERING LTD.  
 120 RANDALL DR SUITE B  
 WATERLOO ON N2V 1C6  
 CA

Service Request Type: BPV-Fitting Registration  
 Service Request No.: 2162394, 2175676  
 Your Reference No.: PVE-10562  
 Registered to: AIGNEP S.P.A.

Dear CATHERINE DIPLOCK,

Technical Standards and Safety Authority (TSSA) is pleased to inform you that your submission has been reviewed and registered as follows:

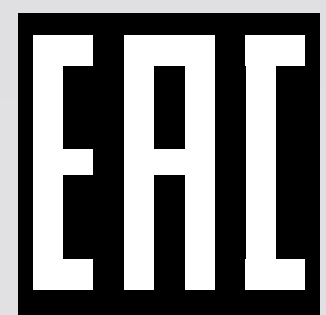
**CRN No.: 0A19741.5 ( For pipe connectors)**  
**CRN No.: 0C19741.5 ( For ball valves)**  
**Main Design No.: AIGNEP QUICK PIPE CONNECTOR and BALL VALVES**  
**- SEE SCOPE OF REGISTRATION DOCUMENT 10562S-1 REV 0 (6PGS)**  
**Expiry Date: 18-Oct-2027**

Please be advised that a valid quality control system must be maintained for the fitting registration to remain valid until the expiry date.

The stamped copy of the approved registration and the invoice are mailed separately. Should you have any questions or require further assistance, please contact a Customer Service Advisor at 1.877.682.TSSA (8772) or e-mail customerservices@tssa.org. We will be happy to assist you. When contacting TSSA regarding this file, please refer to the Service Request number provided above.

Yours truly,

Ruiming You, P.Eng.  
 Mechanical Engineer, BPV  
 Tel.: 416-734-3428  
 Fax: 416-231-6183  
 Email: [ryou@tssa.org](mailto:ryou@tssa.org)





## MY AIGNEP

**I tuoi documenti online**

*Your documents online*

*Ihre Dokumente online*

*Vos documents online*

*Sus documentos online*

*Seus documentos online*



## AIGNEP SCAN

**I tuoi ordini in un click**

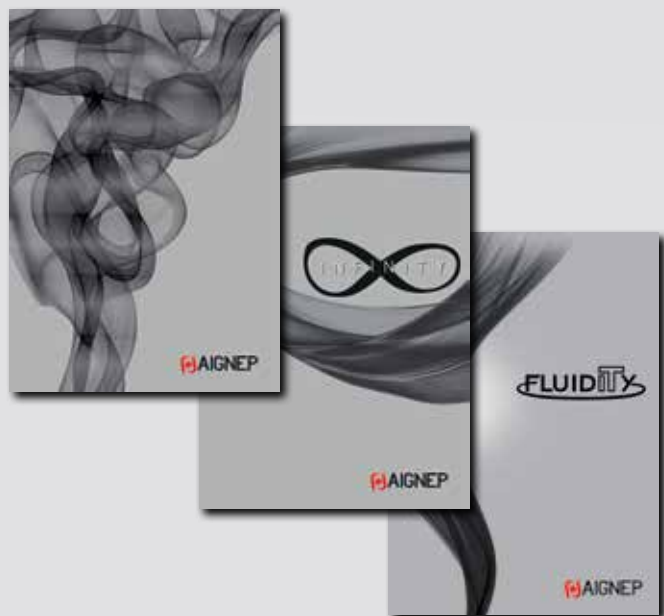
*Your orders in one click*

*Ihre Bestellungen per Mausclick*

*Vos commandes en un clic*

*Sus pedidos en un clic*

*Suas ordens em um clique*



## Catalogues

**I nostri cataloghi a vostra completa disposizione**

*Our catalogues at your disposal*

*Unsere Kataloge als PDF oder Papier, wählen sie selbst*

*Nos catalogues sont à votre disposition*

*Nuestros catálogos a su completa disposición*

*Nossos catálogos à sua disposição*

 <b>90000</b> Pag. 38	 <b>90010</b> <b>90011</b> Pag. 41	 <b>90012</b> Pag. 42	 <b>90013</b> <b>90014</b> Pag. 42	 <b>90017</b> Pag. 43	 <b>90019</b> Pag. 43	 <b>90020</b> <b>90021</b> Pag. 44	<b>New</b>  <b>90022</b> Pag. 44	<b>New</b>  <b>90023</b> <b>90024</b> Pag. 45
 <b>90030</b> <b>90031</b> Pag. 46	 <b>90040</b> Pag. 46 - 47	 <b>90130</b> Pag. 47	<b>New</b>  <b>90140</b> Pag. 48	 <b>90150</b> Pag. 49	 <b>90160</b> Pag. 49	 <b>90230</b> Pag. 49 - 50	<b>New</b>  <b>90300</b> Pag. 50	 <b>90235</b> Pag. 51
<b>New</b>  <b>90236</b> <b>90237</b> Pag. 52 - 53	 <b>90240</b> Pag. 53	 <b>90246</b> Pag. 54	<b>New</b>  <b>90247</b> <b>90248</b> Pag. 54 - 55	 <b>90241</b> Pag. 55	 <b>90242</b> Pag. 56	<b>New</b>  <b>90249</b> Pag. 56	 <b>90252</b> <b>90054</b> Pag. 58 - 59	 <b>90253</b> <b>90055</b> Pag. 58 - 59
 <b>90610</b> Pag. 60	<b>New</b>  <b>90620</b> Pag. 60	 <b>90621</b> Pag. 61	 <b>90625</b> <b>90626</b> Pag. 61 - 62	 <b>90627</b> <b>90628</b> Pag. 62	<b>New</b>  <b>90630</b> <b>90631</b> Pag. 63	 <b>90642</b> <b>90643</b> Pag. 64	 <b>90644</b> <b>90645</b> Pag. 65	 <b>90600</b> <b>90601</b> Pag. 66
 <b>90602</b> <b>90603</b> Pag. 66 - 67	 <b>90660</b> <b>90661</b> Pag. 67	 <b>90662</b> <b>90663</b> Pag. 68	 <b>90664</b> <b>90665</b> Pag. 68 - 69	 <b>90700</b> Pag. 69	 <b>90705</b> Pag. 70	 <b>90710</b> Pag. 70	 <b>90720</b> <b>90721</b> Pag. 71	 <b>90725</b> <b>90726</b> Pag. 71 - 72
 <b>90740</b> Pag. 73	 <b>90790</b> Pag. 75	 <b>90805</b> Pag. 75	 <b>90806</b> Pag. 75	 <b>90808</b> Pag. 76	 <b>90815</b> Pag. 76	 <b>90817</b> Pag. 77	 <b>90820</b> Pag. 77	 <b>90825</b> Pag. 79
 <b>90826</b> Pag. 80	 <b>90830</b> Pag. 81	 <b>90860</b> <b>90861</b> Pag. 81	 <b>90870</b> Pag. 82	<b>New</b>  <b>90876</b> Pag. 82	 <b>90880</b> Pag. 82	 <b>90885</b> Pag. 83	 <b>VAL01</b> <b>VAL03</b> Pag. 83	 <b>90889</b> Pag. 84
 <b>90250</b> <b>90251</b> Pag. 85 - 86	 <b>90259</b> Pag. 87	 <b>90260</b> Pag. 87	 <b>90986</b> Pag. 87	 <b>9000X</b> Pag. 88	 <b>90660X</b> Pag. 89	 <b>66069</b> Pag. 89	 <b>63190</b> Pag. 90	 <b>63260</b> Pag. 90
 <b>63262</b> Pag. 90	 <b>90872X</b> Pag. 91	 <b>90873X</b> Pag. 91	 <b>90975</b> Pag. 92	 <b>Filtres</b> Pag. 98	 <b>Accessories</b> Pag. 108			



**LINEA DI DISTRIBUZIONE ARIA COMPRESSA, GAS INERTI E VUOTO**

*DISTRIBUTION SYSTEM FOR COMPRESSED AIR, INERT GASES AND VACUUM*

*DRUCKLUFTVERTEILUNGSSYSTEM, EDELGASE UND VAKUUM*

*RÉSEAU DE DISTRIBUTION POUR AIR COMPRIMÉ, GAZ INERTES ET VIDE*

*LÍNEA DE DISTRIBUCIÓN DE AIRE COMPRIMIDO, GASES INERTES Y VACÍO*

*LINHA DE DISTRIBUIÇÃO DE AR COMPRIMIDO, GÁS E VÁCUO*



La gamma INFINITY® ingegnerizzata e prodotta integralmente da Aignep, nasce negli anni 2000, per rispondere alle esigenze di mercato, sempre crescenti, rivolte alla ricerca di impianti tecnologici moderni, in alternativa a quelli realizzati in acciaio zincato o materiale plastico ad incollare.

La scelta passa attraverso la volontà di proporre una sola tecnologia, ad Innesco Rapido, per tutti i diametri. Limitando di conseguenza la necessità di utilizzare utensili specifici e costosi. Tubi e raccordi in metallo garantiscono robustezza e performance. MADE IN ITALY.

### Principali vantaggi

- Basso impatto ambientale
- Elevata portata d'aria con basse perdite di carico
- Sistema di separazione della condensa brevettato
- Dal Ø 20 fino al Ø 168 mm, totalmente metallico
- Facilità, rapidità e sicurezza nel montaggio
- Gamma completa di Raccordi, Accessori e Filtri
- Raccordi automatici per gli impianti d'aria compressa

### Applicazioni

- Industria Alimentare, Metalmeccanica e Chimica
- Food&Beverage
- Automotive e Energia
- Officine e Carrozzerie di riparazione
- Estrazione mineraria
- Settore Ferroviario, Aerospaziale e Trasporto
- Industria di trasformazione e produzione Plastica e Tessile
- Laboratori e settori Farmaceutici
- Industria trasformazione del Tabacco
- Cantieristica Navale

La gamme INFINITY® conçue et produite entièrement par Aignep, est née dans les années 2000, pour répondre aux besoins toujours croissants du marché, visant la recherche de systèmes technologiques modernes, comme alternative à ceux en acier galvanisé ou en matière plastique à coller. Le choix passe par la volonté de ne proposer qu'une seule technologie de raccord rapide pour tous les diamètres. Par conséquent, limiter le besoin d'outils spécifiques et coûteux. Les tuyaux et raccords métalliques garantissent résistance et performances. MADE IN ITALY

### Principaux avantages

- Faible impact environnemental
- Débit d'air optimal avec de faibles pertes de charge
- Système de séparation des condensats breveté
- De Ø 20 à Ø 168 mm, totalement métallique
- Facilité, rapidité et sécurité lors du montage
- Gamme complète de raccords, accessoires et filtres
- Raccords automatiques pour systèmes d'air comprimé

### Applications

- Industrie alimentaire, mécanique et chimique
- Agroalimentaire et boissons
- Automobile et énergie
- Ateliers de réparation et carrosserie
- Exploitation minière
- Secteur ferroviaire, aérospatial et transport
- industrie de transformation et de fabrication plastique et textiles
- Laboratoires et secteurs pharmaceutiques
- Industrie de transformation du tabac
- Construction navale

The range INFINITY® is designed and manufactured entirely by Aignep. The serie was born in the 2000s in order to match the growing needs of the market oriented to the innovation of modern airpipelines as alternative solution to traditional iron pipes or plastic tubes to glue. The choice passes through the unique technology of push-in fittings implemented for all diameters. This is limiting the use of heavy and expensive tools, reducing fatigue of installers. Tubes and fittings in metal guarantee the robustness and performance. MADE IN ITALY.

### Main advantages

- Energy Saving and Eco-friendly solution
- High air flow with low pressure drop
- Patented condensing trap system
- From Ø 20 up to Ø 168 mm, full metal solution
- Easy, Quick and Safe Installation
- Wide range of Fittings, Accessories & Filters
- Automatic push-in fittings for compressed air system

### Applications

- Metalworking & Chemical
- Food&Beverage
- Automotive & Energy
- Garages
- Mining
- Railways and Aircraft Service
- Plastic & Textile
- Pharmaceutical & Cosmetics
- Tabacco Processing
- Shipyards

La gama INFINITY®, diseñada y fabricada íntegramente por Aignep, nace en los años 2000, para responder a las necesidades del mercado, cada vez mayores, dirigidas a la búsqueda de instalaciones tecnológicas modernas, como alternativa a los sistemas en acero galvanizado o material plástico para pegar. La elección pasa por la voluntad de proponer una sola tecnología, de Racores Rápidos, para todos los diámetros. Limitando, por consiguiente, la necesidad de utilizar herramientas específicas y costosas. Tubos y racores de metal garantizan robustez y rendimiento. MADE IN ITALY

### Principales ventajas

- Ahorro Energético . Bajo impacto medioambiental
- Alto caudal de aire con bajas pérdidas de carga
- Sistema patentado de separación de condensados
- Del Ø 20 al Ø 168 mm, totalmente metálico
- Facilidad, rapidez y seguridad en el montaje
- Gama completa de Racores, Accesorios y Filtros
- Conexiones automáticas para sistemas de aire comprimido

### Aplicaciones

- Industria Metalmeccánica y Química
- Food&Beverage
- Automotive y Energía
- Talleres y carrocerías de reparación
- Minería
- Sector ferroviario, aeroespacial y de transporte
- Industria de transformación y fabricación de plásticos y textiles
- Laboratorios y sectores farmacéuticos
- Industria de transformación del tabaco
- Construcción naval

Das System Infinity wurde entwickelt und hergestellt von Aignep. Die Serie wurde im Jahr 2000 ins Leben gerufen um den wachsenden Bedürfnissen des Marktes gerecht zu werden der auf die Innovation moderner Druckluftleitungssysteme als Alternativlösung zu traditionellen Eisen-oder Kunststoffrohre, die zum Schweißen oder Kleben ausgerichtet sind. Die Verbindung erfolgt durch die einzigartige Technologie der Push-In- Fittings, die für alle Durchmesser eingesetzt werden. Dies reduziert den Einsatz schwerer und teurer Werkzeuge und verringert die Ermüdung der Installateure. Rohre und Fittings aus Metall garantieren Robustheit und Langlebigkeit. MADE IN ITALY

### Hauptvorteile

- Energie Einsparung und umweltfreundliche Lösung
- Großer Luftvolumenstrom bei geringem Druckverlust
- Patentiertes Kondensatabscheider-System
- Von Ø 20 bis zu Ø 168 mm, Vollmetall-Lösung
- Einfache, schnelle und sichere Installation
- Große Auswahl an Fittings, Zubehör und Filtern
- Automatische Steckanschlüsse für Druckluftsysteme

### Anwendungen

- Metallverarbeitung & Chemie
- Nahrungsmittel&Getränke
- Automobilindustrie & Energie
- Werkstätten
- Bergbau
- Eisenbahn- und Flugzeugservice
- Kunststoff & Textil
- Pharmazeutika & Kosmetika
- Tabakverarbeitung
- Schiffswerften

A gama INFINITY® desenvolvida e produzida integralmente pela Aignep, nasce nos anos 2000, para responder às exigências de mercado , sempre crescente, e visando o desenvolvimento de sistemas de distribuição de ar tecnológicos e modernos como alternativa às redes de ar de aço galvanizado ou tubos plásticos colados ou soldados. A escolha passa pelo desejo de propor uma tecnologia única, como sistema de Engate Rápido, para todos os diâmetros. Através deste sistema, foi possível eliminar a necessidade de equipamentos e ferramentas específicas e de alto custo na montagem das redes. Os tubos e conexões metálicas asseguram a robustez e a alta performance da rede de ar. MADE IN ITALY

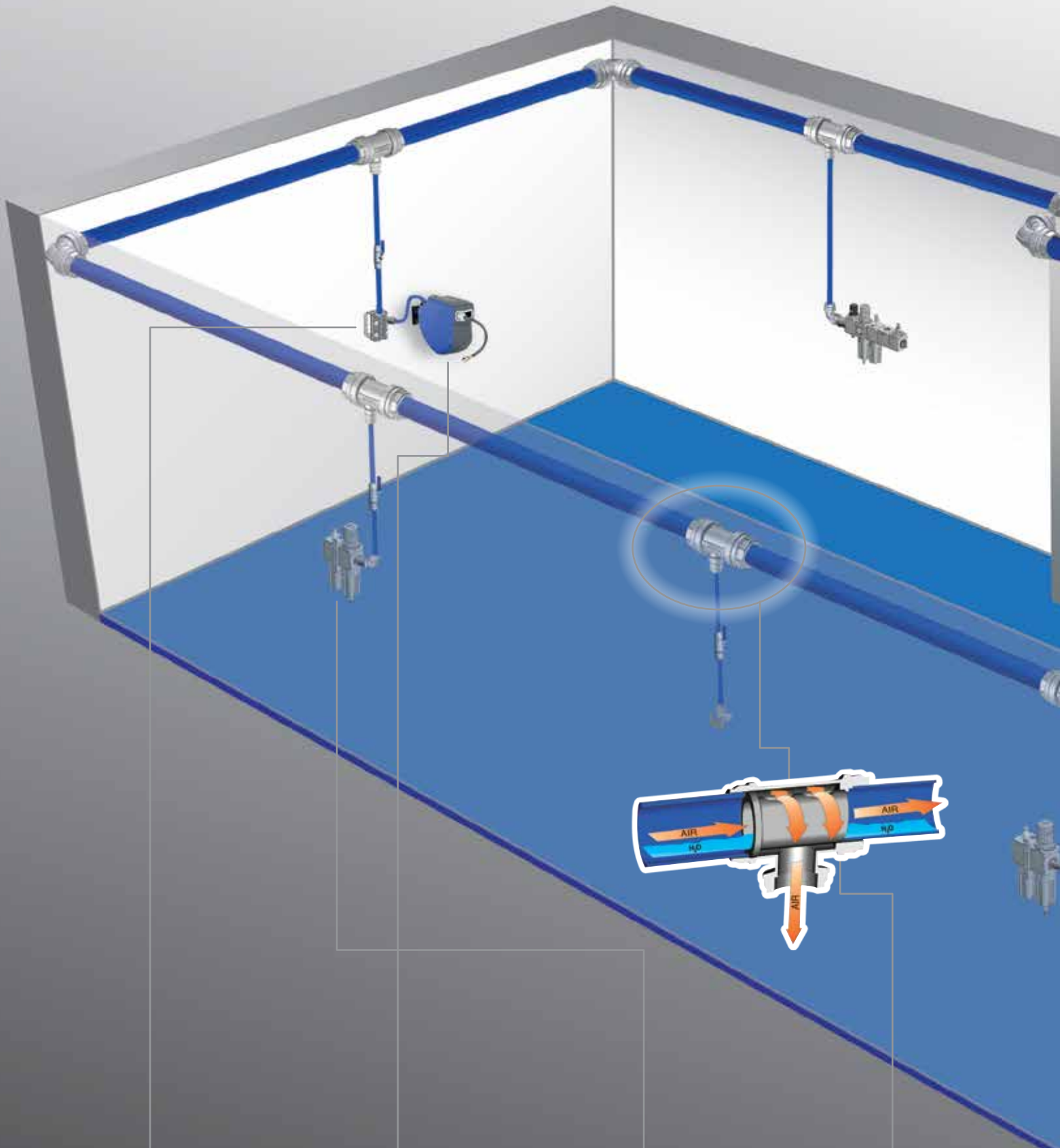
### Principais vantagens

- Baixo impacto ambiental
- Vazão elevada de ar com baixas perdas de carga
- Sistema de separação de condensado patentado
- Do Ø 20 até Ø 168 mm, totalmente metálico
- Facilidade, rapidez e segurança na montagem
- Gama completa de Conexões, Acessórios e Filtros
- Conexões automáticas para redes de ar comprimido

### Aplicações

- Indústria Alimentícia, Metal-mecânica e Química
- Food&Beverage
- Automotiva e Energia
- Concessionárias e oficinas de manutenção e reparo
- Extração mineral
- Setor Ferroviário, Aeroespacial e Transporte
- Indústria de transformação e produção Plástica e Têxtil
- Laboratórios e setor Farmacêutico
- Indústria transformação de Tabaco
- Construção Naval









**CERTIFICAZIONE ISO - ISO CERTIFICATION - ISO-ZERTIFIKAT - CERTIFICATION ISO - CERTIFICACIÓN ISO - CERTIFICAÇÃO ISO**

**Aignep è certificata secondo UNI EN ISO 9001:2015, standard internazionale che fissa i requisiti di un sistema di gestione per la qualità.**

*Aignep is certified to UNI EN ISO 9001:2015, international standard for company quality management systems.*

*Aignep ist nach UNI EN ISO 9001:2015 zertifiziert, Internationale Norm für Qualitätsmanagement Systeme für Unternehmen.*

*Aignep est certifiée selon UNI EN ISO 9001: 2015, une norme internationale qui établit les exigences d'un système de gestion de la qualité.*

*Aignep está certificada según UNI EN ISO 9001:2015, estándar internacional que fija los requisitos de un sistema de gestión para la calidad.*

*A Aignep é certificada segundo a norma UNI EN ISO 9001:2015, standard internacional que fixa os requisitos para um sistema de gestão de qualidade.*



**CONFORMITÀ 2014/68/UE - COMPLIANCE 2014/68/UE - RICHTLINIE 2014/68/UE - CONFORMITÉ 2014/68/UE - CONFORMIDAD 2014/68/UE - CONFORMIDADE 2014/68/UE**

**I prodotti Infinity® soddisfano i requisiti della Direttiva Europea 2014/68/UE (PED: Pressure Equipment Directive).**

*Infinity® products satisfy the requirements of 2014/68/UE (PED: Pressure Equipment Directive).*

*Infinity®-Produkte erfüllen die Anforderungen der Richtlinie 2014/68/UE (PED: Druckgeräte-Richtlinie).*

*Les produits Infinity® répondent aux exigences de la Directive Européenne 2014/68 / CE (PED: Directive Equipements sous Pression).*

*Los productos Infinity® satisfacen los requisitos de la Directiva Europea 2014/68/UE (PED: Pressure Equipment Directive).*

*Os produtos Infinity® satisfazem os requisitos da Direttiva Europea 2014/68/UE (PED: Pressure Equipment Directive).*



**CONFORMITÀ REACH - REACH COMPLIANCE - REACH KONFORMITÄT - CONFORMITÉ REACH - CONFORMIDAD REACH - CONFORMIDADE REACH**

**Tutti i prodotti Infinity® sono conformi al regolamento REACH: CE N°1907 / 2006 riguardante l'autorizzazione e restrizione delle sostanze chimiche.**

*All Infinity® products comply with REACH standard EC N°1907 / 2006 concerning restrictions of chemical hazardous substances.*

*Alle Infinity®-Produkte entsprechen der REACH-Norm EC N°1907 / 2006 zur Beschränkung chemischer Gefahrstoffe.*

*Tous les produits Infinity® sont conformes à la réglementation REACH: CE N°1907/2006 concernant l'autorisation et la restriction des substances chimiques.*

*Todos los productos Infinity® cumplen con el Reglamento REACH: CE N°1907/ 2006 relativo a la autorización y restricción de las sustancias químicas.*

*Todos os produtos Infinity® estão em conformidade com o regulamento REACH: CE N°1907 / 2006 relacionado à autorizações e restrições de substâncias químicas.*



**CONFORMITÀ ROHS - ROHS COMPLIANCE - ROHS KONFORMITÄT - CONFORMITÉ ROHS - CONFORMIDAD ROHS - CONFORMIDADE ROHS**

**Tutti i prodotti Infinity® sono conformi alle direttive ROHS: 2011/65/UE riguardante la restrizione di sostanze pericolose nelle apparecchiature.**

*All Infinity® products comply with ROHS directives: 2011/65/UE concerning restrictions of dangerous substances in appliances.*

*Alle Infinity®-Produkte entsprechen den ROHS-Richtlinien: 2011/65/UE bezüglich der Beschränkungen gefährlicher Substanzen in Geräten.*

*Tous les produits Infinity® sont conformes aux directives ROHS: 2011/65/UE concernant la restriction des substances dangereuses dans les équipements.*

*Todos los productos Infinity® cumplen con la Directiva ROSH 2011/65/UE sobre la restricción de sustancias peligrosas en los aparatos.*

*Todos os produtos Infinity® estão em conformidade com o regulamento ROHS: 2011/65/UE relacionado à restrições de substâncias perigosas em equipamentos.*



**ASME B31.1 / B31.3 / TSSA**

**I prodotti Infinity® soddisfano i requisiti ASME B31.1 e ASME B31.3, inoltre certificati dalla (TSSA) Technical Standards & Safety Authority.**

*Infinity® products satisfy the requirements of ASME B31.1 and ASME B31.3 and conform to (TSSA) Technical Standards & Safety Authority.*

*Infinity®-Produkte erfüllen die Anforderungen von ASME B31.1 und ASME B31.3 und entsprechen den (TSSA) Technical Standards & Safety Authority.*

*Les produits Infinity® satisfont aux exigences ASME B31.1 et ASME B31.3, également certifiées par la (TSSA) Technical Standards & Safety Authority.*

*Los productos Infinity® cumplen con los requisitos ASME B31.1 y ASME B31.3, además certificados por la (TSSA) Technical Standards & Safety Authority.*

*Os produtos Infinity® satisfazem os requisitos ASME B31.1 e ASME B31.3, também certificados pela (TSSA) Technical Standards & Safety Authority.*



**CONFORMITÀ QUALICOAT - QUALICOAT COMPLIANCE - QUALICOAT KONFORMITÄT - CONFORMITÉ QUALICOAT - CONFORMIDAD QUALICOAT - CONFORMIDADE QUALICOAT**

**Le vernici utilizzate sui prodotti Infinity® soddisfano i requisiti UNI 9983 - BS 6496 - AAMA 603-605.**

*Infinity® uses paints that comply with UNI 9983 - BS 6496 - AAMA 603-605.*

*Infinity® verwendet Lacke, die der Norm UNI 9983 - BS 6496 - AAMA 603-605 entsprechen.*

*Le laquage utilisé sur les produits Infinity® répond aux exigences UNI 9983 - BS 6496 - AAMA 603-605.*

*Los barnices utilizados en los productos Infinity® cumplen con los requisitos UNI 9983 - BS 6496 - AAMA 603-605.*

*As tintas utilizada nos produtos Infinity® satisfazem os requisitos UNI 9983 - BS 6496 - AAMA 603-605.*

**I pretrattamenti chimici svolti sui prodotti Infinity® soddisfano i requisiti UNI 9921 - DIN 50939 - ASTM D 1730 - MIL C 5541.**

*Chemical pre-treatments on Infinity® products comply with UNI 9921 - DIN 50939 - ASTM D 1730 - MIL C 5541.*

*Chemische Vorbehandlungen von Infinity®-Produkten entsprechen der Norm UNI 9921 - DIN 50939 - ASTM D 1730 - MIL C 5541.*

*Les traitements de surface effectués sur les produits Infinity® répondent aux exigences UNI 9921 - DIN 50939 - ASTM D 1730 - MIL C 5541.*

*Los pretratamientos químicos en los productos Infinity® cumplen con los requisitos UNI 9921 - DIN 50939 - ASTM D 1730 - MIL C 5541.*

*Os pré-tratamentos químicos aplicados aos produtos Infinity® satisfazem os requisitos UNI 9921 - DIN 50939 - ASTM D 1730 - MIL C 5541.*

**ASSENZA DI SILICONE** - ABSENCE OF SILICONE - SILIKON-FREIHEIT - ABSENCE DE SILICONE - AUSENCIA DE SILICONA - AUSÊNCIA DE SILICONE**Tutti i prodotti Infinity® sono garantiti come privi di silicone, requisito obbligatorio per l'aria di altissima purezza.**

*Infinity® products are silicon-free, in order to guarantee the highest purity level of air.*

*Infinity®-Produkte sind silikonfrei, um den höchsten Reinheitsgrad der Luft zu gewährleisten.*

*Tous les produits Infinity® sont garantis sans silicone, une exigence obligatoire pour un air de la plus grande pureté.*

*Todos los productos Infinity® están garantizados como libres de silicona, requisito obligatorio para el aire de altísima pureza.*

*Todos os produtos Infinity® são garantidos como livres de silicone, requisito obrigatório para ar de altíssima pureza.*

**RESISTENZA AL FUOCO** - FIRE RESISTANCE - FEUERRESISTENT - RÉSISTANCE AU FEU - RESISTENCIA AL FUEGO - RESISTÊNCIA AO FOGO**Tutti i prodotti Infinity® non sono infiammabili e non avviene propagazione di fiamma secondo la norma UNI EN 13501-1 : 2005. Classe A2 - d1 - d0.**

*All Infinity® products are not flammable and they limit flame spread according to UNI EN 13501-1 : 2005. Class A2 - d1 - d0.*

*Alle Infinity®-Produkte sind nicht entflammbar und sie begrenzen die Flammenausbreitung gemäß UNI EN 13501-1 : 2005. Klasse A2 - d1 - d0.*

*Tous les produits Infinity® ne sont pas inflammables et ne sont pas source de propagation du feu selon la norme UNI EN 13501-1 : 2005. Classe A2 - d1 - d0.*

*Todos los productos Infinity® no son inflamables y no se produce propagación de llama según la norma UNI EN 13501-1: 2005. Clase A2 - d1 - d0.*

*Os produtos Infinity® não são inflamáveis e não propagam chamas segundo a norma UNI EN 13501-1 : 2005. Classe A2 - d1 - d0.*

**CONFORMITÀ ISO 8573-1** - COMPLIANCE ISO 8573-1 - DRUCKLUFTQUALITÄT NACH ISO 8573-1 - CONFORMITÉ ISO 8573-1 - CONFORMIDAD ISO 8573-1 - CONFORMIDADE ISO 8573-1**Il Sistema Infinity® è stato collaudato in modo da soddisfare a pieno la norma; I prodotti Infinity® non contaminano il fluido trasportato.**

*Infinity® system is tested in order to fully comply the norm. The Infinity® products do not contaminate the inner fluid.*

*Infinity®-System wird getestet, um die Norm vollständig zu erfüllen. Die Infinity®-Produkte kontaminieren die innere Flüssigkeit nicht.*

*Le système Infinity® a été testé pour répondre pleinement à la norme; Les produits Infinity® ne contaminent pas le fluide transporté.*

*El Sistema Infinity® ha sido probado para satisfacer plenamente la norma; los productos Infinity® no contaminan el fluido transportado.*

*O sistema Infinity® foi testado para que atenda totalmente à norma; Os produtos Infinity® não contaminam o fluido transportado.*

**GARANZIA INFINITY** - INFINITY WARRANTY - INFINITY GARANTIE - GARANTIE INFINITY - GARANTÍA INFINITY - GARANTIA INFINITY**Il Sistema Infinity® è garantito per un periodo di 10 anni.**

*Infinity® has a 10 years warranty.*

*Infinity® gewährt 10 Jahre Garantie.*

*Le système Infinity® est garanti pour une période de 10 ans.*

*El sistema Infinity® está garantizado durante un período de 10 años.*

*O sistema Infinity® possui garantia por um período de 10 anos.*





# ISTITUTO GIORDANO s.p.a.

SPECIALISTI IN RICERCA E CERTIFICAZIONE DAL 1959

Via Rossini, 2  
47814 BELLARIA (RN) Italy  
Tel. +39 0541 343030 (10 linee)  
Telefax +39 0541 345540

e-mail: [istitutiogiordano@giordano.it](mailto:istitutiogiordano@giordano.it)  
web site: [www.giordano.it](http://www.giordano.it)

Cod. Fisc./Part. IVA: 00 549 540 409  
R.E.A. c/o C.C.I.A.A. (RN) 156766  
Registro Imprese Rimini n. 00549540409  
Cap. Soc. € 516.000,00 i.v.

**RICONOSCIMENTI UFFICIALI:**

- MINISTERO LAVORI PUBBLICI: Legge 186/71 con D.M. 27/11/82 n. 22913 "Prova sui materiali da costruzione".
- MINISTERO INDUSTRIA COMMERCIO ARTIGIANATO: D.M. 09/11/99 "Certificazione CE per le unità da diporto".
- MINISTERO INDUSTRIA COMMERCIO ARTIGIANATO: D.M. 31/1/91 "Certificazione CEE delle macchine utensili di macchine da cantiere".
- MINISTERO INDUSTRIA COMMERCIO ARTIGIANATO: D.L. 27/01/92 n. 135 "Certificazione CEE delle emulsioni sonore di macchine di movimento terra".
- MINISTERO INDUSTRIA COMMERCIO ARTIGIANATO: D.M. 26/07/90 "Certificazione CEE concernente la sicurezza dei giocattoli".
- MINISTERO INDUSTRIA COMMERCIO ARTIGIANATO: D.M. 30/07/87 "Certificazione ad almeno di conformità CEE per il l'interrimento delle caviere ad acqua calda alimentare con serbatoi in acciaio o ghisa".
- MINISTERO INDUSTRIA COMMERCIO ARTIGIANATO: Nota n. 75/89 del 15/12/89 "Certificazione CEE per gli apparecchi a gas".
- MINISTERO INDUSTRIA COMMERCIO ARTIGIANATO e MINISTERO LAVORO E PREVIDENZA SOCIALE: D.M. 26/07/90 "Certificazione CEE in materia di recipienti semplici a pressione".
- MINISTERO INDUSTRIA COMMERCIO ARTIGIANATO e MINISTERO LAVORO E PREVIDENZA SOCIALE: D.M. 04/09/94 "Certificazione CEE sulle macchine".
- MINISTERO INDUSTRIA COMMERCIO ARTIGIANATO: "Incarico di verifica della sicurezza e conformità dei prodotti nell'ambito della sorveglianza sul mercato e tutela dei consumatori".
- MINISTERO INDUSTRIA COMMERCIO ARTIGIANATO: D.M. 22/04/99 "Rilascio di attestazioni di conformità delle caratteristiche e prestazioni energetiche dei componenti degli edifici a degli impianti".
- MINISTERO INTERNO: Legge 1/8/84 e D.M. 26/08/85 con autorizzazione del 21/03/84 "Prove di reazione al fuoco secondo D.M. 26/06/84".
- MINISTERO INTERNO: Legge 1/8/84 e D.M. 26/08/85 con autorizzazione del 10/07/85 "Prove di resistenza al fuoco secondo Circolare n. 81 del 14/06/81".
- MINISTERO INTERNO: Legge 1/8/84 e D.M. 26/08/85 con autorizzazione del 05/07/87 "Prove di resistenza al fuoco secondo Circolare n.7 del 02/04/81 e norme CNVVF/CC UN 9727".
- MINISTERO INTERNO: Legge 1/8/84 e D.M. 26/08/85 con autorizzazione del 12/04/85 "Prove di esplosioni d'incendio portali secondo D.M. 20/12/82".
- IRI/ISTITUTO UNIVERSITA' E RICERCA SCIENTIFICA E TECNOLOGICA: Legge 45/82 con D.M. 20/10/80 "Immissione nell'elenco dei laboratori autorizzati a svolgere ricerca di carattere applicativo a favore della piccola e media industria".
- MINISTERO PUBBLICA ISTRUZIONE: Protocollo n. 116 del 27/03/87 "Incarico del Istituto Giordano Ingegnere Nazionale delle ricerche con titolo n. 004007/91".
- SINCERT (Accreditamento Organismi Certificazioni): Accreditamento n. 8574 del 19/12/00 "Organismo di certificazione di sistemi qualità".
- SINAL (Sistema Nazionale per l'Accreditamento di Laboratori): Accreditamento n. 001 del 10/1/01.
- SIT (Servizio di Taratura in Italia): Accreditamento n. 20 "Centro SIT di taratura per grandezze termometriche ed elettriche".
- ICIM (Istituto di Certificazione Industriale per la Meccanica): "Prove di laboratorio nell'ambito degli schemi di Certificazione di Prodotto".
- IRI/Istituto per il Marchio Qualità: "Prove di laboratorio nell'ambito degli schemi di Certificazione di Prodotto per carne umana".
- UNISAL (Unione Nazionale Costruttori Seramenti Aluminici): Accordi Legati: Riconoscimento del/20/08/88 "Laboratorio per le prove di ossidazione UNISAL su seramenti e lacoste sottili".
- UNI Ente Nazionale Italiano di Unificazione - Settore Certificazioni: "Prove di laboratorio nell'ambito degli schemi di Certificazione di Prodotto per l'imballaggio a sigillo con flussio a circolazione forzata a seramento esterno".

**PARTECIPAZIONI ASSOCIATIVE:**

- AIA: Associazione Italiana di Acustica.
- AICARR: Associazione Italiana Caratterizzazione dell'Atto Riscaldamento Refrigerazione.
- AIOQ: Associazione Italiana per la Qualità.
- AIPND: Associazione Italiana Prove non Distruttive.
- ALP: Associazione Laboratori Italiani Fuoco.
- ALPI: Associazione Laboratori di Prova Independenti.
- ASHRAE: American Society of Heating, Refrigerating and Air-Conditioning Engineers Inc.
- ASSINDUSTRIA: Associazione degli Industriali di Rimini.
- ASTM: American Society for Testing and Materials.
- ATG: Associazione Tecnica Italiana del Gas.
- CTE: Collegio dei Tecnici della Industrializzazione Edilizia.
- CTI: Comitato Tecnico Italiano.
- EUROAS: European Association of Research Managers and Administrators.
- EARTO: European Association of Research and Technology Organization.
- EGOP: European Group of Official Laboratories for Fire Testing.
- UNI: Ente Nazionale Italiano di Unificazione.

## ABRIDGED TEST REPORT No. 189470

(Refers to test report No. 189076 issued by this Institute on 26/10/2004)

**Place and date of issue:** Bellaria, 08/11/2004

**Customer:** AIGNEP S.p.A. - Via Industriale n. 1 - 25070 BIONE (BS)

**Date test requested:** 13/09/2004

**Order number and date:** 26665, 14/09/2004

**Date specimen received:** 13/09/2004

**Date test effected:** from 11/10/2004 to 15/10/2004

**Purpose of test:** Testing copper-alloy quick-action couplings for use with aluminium tubes

**Test site:** Istituto Giordano S.p.A. - Blocco 1 - Via Rossini, 2 - 47814 Bellaria (RN)

**Specimen origin:** supplied by Customer

**Identification of specimen received:** No. 2004/1522

**Description of specimen**

The test specimens are known as "Raccordi ad innesto rapido per tubazioni in alluminio Serie 90.000".

**Result of test**

The tests listed below, agreed with the Customer and, in the absence of specific standards, conducted in accordance with standard UNI EN 1254-2: 2000, gave the following results:

- Leaktightness under internal pneumatic pressure: No visible signs of leakage;
- bursting strength test: DN 20: 115 bar, DN 25: 75 bar, DN 32: 78 bar, DN 40: 75 bar, DN 50: 58 bar and DN 63: 62 bar;
- resistance to pull-out: maximum axial movement 0.9 mm and no visible leakage in the subsequent pneumatic pressure test;
- leaktightness under internal pneumatic pressure whilst subjected to bending: no visible signs of leakage or damage.

*As regards the description of the specimen, normative references, test methods, test equipment, test results and everything else necessary for the identification of the work carried out, please see Test Report No. 189076 issued by this Institute on 26/10/2004.*

Test Technician (Per. Ind. Walter Frattini) Manager, Applied Physics Laboratory

Chairman or Managing Director

*Walter Frattini*  
Dott. Ing. Vincenzo Iommi

*Dott. Ing. Vincenzo Iommi*

**CLAUSE**

Il presente documento è riferito solamente al campione di materiale sottoposto a prova.  
Il presente documento non può essere riprodotto parzialmente, salvo approvazione scritta del laboratorio.

Comp. AV  
Revis *fr*

This abridged report consists of 1 sheet  
This document is the English translation of the abridged test report No. 189470 of 08/11/2004 issued in Italian.  
Date of translation: 29/11/2004.

Sheet 1 of 1





## ESTRATTO DI PROVA DI PROVA N. 379810

### ABRIDGED REPORT No. 379810

il presente documento si basa sul rapporto di prova n. 379541  
emesso da Istituto Giordano in data 29 gennaio 2021

*this document is based on test report No. 379541 dated 29 January 2021 issued by Istituto Giordano*

Cliente / Customer

**AIGNEP S.p.A.**

Via Don Giuseppe Bazzoli, 3 - 25070 BIONE (BS) - Italia

Oggetto / Item\*

**raccordi denominati**

**“Raccordi ad innesto rapido per tubazioni in alluminio Serie 90.000, DN50”**  
*couplings named “Series 90.000, DN50 PN16 quick-action coupling for use with aluminium tubes”*

Attività / Activity

**verifica della tenuta sotto pressione pneumatica interna con e senza  
sollecitazione a flessione, della pressione idraulica di rottura  
e della resistenza al distacco secondo la norma UNI EN 1254-2:2000**

*verification of internal pneumatic pressure tightness with and without bending stress, hydraulic burst  
pressure and resistance to detachment in accordance with standard UNI EN 1254-2:2000*



Risultati / Results

Prova / Test		Esito / Result
Verifica della tenuta nei confronti della depressione (0,99 bar)/pressione (24 bar e 0,5 bar) pneumatiche interne <i>Leaktightness under internal pneumatic positive (24 bar and 0,5 bar)/negative (0,99 bar) pressure</i>	raccordo diritto <i>straight coupling</i>	positivo <i>pass</i>
	raccordo a T intermedio <i>“T” shaped coupling</i>	
	raccordo a L intermedio <i>“L” shaped coupling</i>	
Pressione idraulica di rottura <i>Bursting strength</i>	raccordo a L intermedio <i>“L” shaped coupling</i>	alla pressione di 48 bar si è manifestata una perdita in corrispondenza della giunzione filettata del collare di presa del raccordo ad L <i>leakage from the threaded joint of the L fitting collar at the pressure of 48 bar</i>
	raccordo a T intermedio <i>“T” shaped coupling</i>	nessuna perdita o rottura fino alla pressione di 48 bar <i>no leakage or rupture up to a pressure of 48 bar</i>
	raccordo diritto <i>straight coupling</i>	
Resistenza al distacco e verifica tenuta pneumatica a 6 bar <i>Resistance to pull-out and leaktightness under 6 bar internal pneumatic pressure</i>	raccordo diritto <i>straight coupling</i>	positivo <i>pass</i>
Tenuta sotto pressione idrostatica interna e con contemporanea applicazione di sollecitazione a flessione <i>Leaktightness under internal hydrostatic pressure whilst subjected to bending</i>	raccordo diritto intermedio <i>intermediate straight coupling</i>	positivo <i>pass</i>
	raccordo diritto <i>straight coupling</i>	

(\*) secondo le dichiarazioni del cliente.  
*according to that stated by the customer.*

Bellaria-Igea Marina - Italia, 15 febbraio 2021  
*Bellaria-Igea Marina - Italy, 15 February 2021*

L'Amministratore Delegato  
*Chief Executive Officer*  
(Dott. Arch. Sara Lorenza Giordano)

Firmato digitalmente da SARA LORENZA GIORDANO

Commessa:

Order:  
86537

Provenienza dell'oggetto:

Item origin:  
campionato e fornito dal cliente  
*sampled and supplied by the customer*

Identificazione dell'oggetto in accettazione:

Identification of item received:  
2020/2771 del 10 dicembre 2020  
*2020/2771 dated 10 December 2020*  
2020/2772 del 10 dicembre 2020  
*2020/2772 dated 10 December 2020*

Data dell'attività:

Activity date:  
dal 14 dicembre 2020 al 18 dicembre 2020  
*from 14 December 2020 to 18 December 2020*

Luogo dell'attività:

Activity site:  
Istituto Giordano S.p.A. - Blocco 2 - Via Gioacchino Rossini, 2 - 47814 Bellaria-Igea Marina (RN) - Italia

Il presente documento è composto da n. 1 pagina (in formato bilingue (italiano e inglese), in caso di dubbio è valida la versione in lingua italiana) e non può essere riprodotto parzialmente, estrapolando parti di interesse a discrezione del cliente, con il rischio di favorire una interpretazione non corretta dei risultati, fatto salvo quanto definito a livello contrattuale.

I risultati si riferiscono solo all'oggetto in esame, così come ricevuto, e sono validi solo nelle condizioni in cui l'attività è stata effettuata.

Per quanto riguarda la descrizione dell'oggetto, i riferimenti normativi, le modalità, le apparecchiature, i risultati e quant'altro necessario all'identificazione dell'attività svolta si rimanda al rapporto di prova n. 379541 emesso da Istituto Giordano in data 29 gennaio 2021.

L'originale del presente documento è costituito da un documento informatico firmato digitalmente ai sensi della Legislazione Italiana applicabile.

*This document is made up of 1 page (in a bilingual format (Italian and English), in case of dispute the only valid version is the Italian one) and shall not be reproduced except in full without extrapolating parts of interest at the discretion of the customer, with the risk of favoring an incorrect interpretation of the results, except as defined at contractual level.*

*The results relate only to the item examined, as received, and are valid only in the conditions in which the activity was carried out.*

*As regards the description of the item, apparatus, method, results and everything else necessary for the identification of the work carried out, please see test report No. 379541 issued by Istituto Giordano on 29 January 2021.*

*The original of this document consists of an electronic document digitally signed pursuant to the applicable Italian Legislation.*

Responsabile Tecnico di Prova: / Chief Test Technician:

Dott. Ing. Luca Bonini

Responsabile del Laboratorio di Termotecnica: / Head of Thermotechnics Laboratory:

Dott. Ing. Eugenio Berliani

Compilatore: / Compiler: Francesca Manduchi

Revisore: / Reviewer: Dott. Ing. Luca Bonini

Pagina 1 di 1 / Page 1 of 1



**Istituto Giordano S.p.A.**  
 Via Rossini, 2 - 47814 Bellaria-Igea Marina (RN) - Italia  
 Tel. +39 0541 343030 - Fax +39 0541 345540  
 istitutogiordano@giordano.it - www.giordano.it  
 PEC: ist-giordano@legalmail.it  
 Cod. Fisc./Part. IVA: 00 549 540 409 - Cap. Soc. € 1.500.000 i.v.  
 R.E.A. d/o C.C.I.A.A. (RN) 156766  
 Registro Imprese di Rimini n. 00 549 540 409

## ABRIDGED TEST REPORT No. 312983

(Refers to test report No. 312056 issued by Istituto Giordano S.p.A. on 19/12/2013)

**Place and date of issue:** Bellaria-Igea Marina - Italy, 30/01/2014  
**Customer:** AIGNEP S.p.A. - Via Don Giuseppe Bazzoli, 34 - 25070 BIONE (BS) - Italy  
**Date test requested:** 27/09/2013  
**Order number and date:** 60895, 30/09/2013  
**Date sample received:** 04/11/2013  
**Test date:** from 02/12/2013 to 09/12/2013  
**Purpose of test:** testing aluminium-alloy quick-action couplings for use with aluminium tubes  
**Test site:** Istituto Giordano S.p.A. - Blocco 1 - Via Rossini, 2 - 47814 Bellaria-Igea Marina (RN) - Italy  
**Sample origin:** sampled and supplied by the Customer  
**Identification of sample received:** No. 2013/2179

### Sample name and description\*

The test samples are called "Raccordi ad innesto rapido in alluminio Serie 90.000, DN63" ("Series 90.000 quick-action couplings in aluminium, DN63").

They essentially consist of:

- aluminium-alloy body with painted exterior;
- steel collet;
- plastic ring (engineering resin);
- NBR 70 elastomeric O-ring.

According to Customer declaration, the maximum operating pressure is 16 bar.

### Test result

The following tests were carried out on the Customer-supplied sample with results as given hereafter:

- leaktightness under internal pneumatic positive (24 and 0,5 bar)/negative (-0,9 bar) pressure

**Test result: pass;**

- bursting strength test

**Test result: fitting pulled out at a pressure of 58 bar;**

- resistance to pull-out

**Test result: pass;**

- leaktightness under internal hydrostatic pressure whilst subjected to bending

**Test result: Pass.**

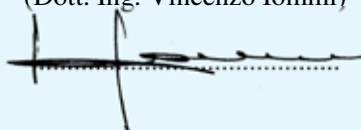
*As regards sample and test photos, normative references, test methods, test equipment, detailed test results and everything else necessary for the identification of the work carried out, please see test report No. 312056 issued by this Institute on 19/12/2013.*

(\*) according to that stated by the Customer.

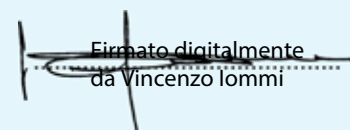
Test Technician  
 (Dott. Ing Antonietta Serra)

Head of  
 Applied Physics Laboratory  
 (Dott. Ing. Vincenzo Iommi)

Managing Director  
 (Dott. Ing. Vincenzo Iommi)

Firmato digitalmente  
 da Vincenzo Iommi



Comp. AV Revis. AS	This abridged report consists of 1 sheet. This document is the English translation of the test report No. 312983 dated 30/01/2014 issued in Italian. Date of translation: 04/02/2014.	Sheet 1 of 1
-----------------------	---	-----------------

CLAUSES: This document relates only to the sample or material tested and shall not be reproduced except in full without Istituto Giordano's written approval.



**Istituto Giordano S.p.A.**  
 Via Rossini, 2 - 47814 Bellaria-Igea Marina (RN) - Italia  
 Tel. +39 0541 343030 - Fax +39 0541 345540  
 istitutogiordano@giordano.it - www.giordano.it  
 PEC: ist-giordano@legalmail.it  
 Cod. Fisc./Part. IVA: 00 549 540 409 - Cap. Soc. € 1.500.000 i.v.  
 R.E.A. c/o C.C.I.A.A. (RN) 156766  
 Registro Imprese di Rimini n. 00 549 540 409

## ABRIDGED TEST REPORT No. 317262

(Refers to test report No. 316851 issued by Istituto Giordano on 25/06/2014)

**Place and date of issue:** Bellaria-Igea Marina - Italy, 11/07/2014

**Customer:** AIGNEP S.p.A. - Via Don Giuseppe Bazzoli, 34 - 25070 BIONE (BS) - Italy

**Date test requested:** 20/03/2014

**Order number and date:** 62619, 24/03/2014

**Date sample received:** 23/04/2014

**Test date:** from 05/06/2014 to 24/06/2014

**Purpose of test:** testing aluminium-alloy quick-action couplings for use with aluminium tubes

**Test site:** Istituto Giordano S.p.A. - Blocco 1 - Via Rossini, 2 - 47814 Bellaria-Igea Marina (RN) - Italy

**Sample origin:** sampled and supplied by the Customer

**Identification of sample received:** No. 2014/0843

### Sample name and description\*

The test samples are called "Series 90.000, DN80 quick-action couplings for use with aluminium tubes".

They essentially consist of:

- surface-treated aluminium nut;
- NBR O-ring;
- surface-treated aluminium body;
- safety ring made from engineering resin;
- AISI 301 stainless-steel collet;
- tube guide ring made from engineering resin;
- galvanised-steel self-locking nut;
- galvanised-steel hexagon socket head cap screw.

Customer's declared maximum operating pressure is 16 bar.

### Test result

The following tests were carried out on the Customer-supplied sample with results as given hereafter:

- leaktightness under internal pneumatic positive (24 and 0,5 bar)/negative (0,9 bar) pressure

**TEST RESULT: PASS;**

- bursting strength test

**TEST RESULT: slight leakage from plug of one of the fittings at a pressure of 64 bar (PASS);**

- resistance to pull-out

**TEST RESULT: PASS;**

- leaktightness under internal hydrostatic pressure whilst subjected to bending

**TEST RESULT: PASS.**

**As regards sample and test photos, normative references, test methods, test equipment, detailed test results and everything else necessary for the identification of the work carried out, please see Test Report No. 316851 issued by Istituto Giordano on 25/06/2014.**

(\*) according to that stated by the Customer.

Test Technician:

Dott. Ing. Antonietta Serra

Head of Applied Physics Laboratory:

Dott. Ing. Vincenzo Iommi

Chief Executive Officer  
 (Dott. Arch. Sara Lorenza Giordano)



Firmato digitalmente da SARA LORENZA GIORDANO

The original of this document consists of an electronic document with a digital signature affixed pursuant to DPR (Presidential Decree) 513/97.

Comp. AV  
 Revis. AS

This abridged report consists of 1 sheets.  
 This document is the English translation of the abridged report No. 317262 dated 11/07/2014 issued in Italian; in case of dispute the only valid version is the Italian one. Date of translation: 06/06/2017.

Sheet  
 1 of 1

CLAUSES: This document relates only to the sample or material tested and shall not be reproduced except in full without Istituto Giordano's written approval.


**ESTRATTO DI PROVA DI PROVA N. 372988**
**ABRIDGED REPORT No. 372988**

il presente documento si basa sul rapporto di prova n. 372691  
emesso da Istituto Giordano in data 29 giugno 2020

*this document is based on test report No. 372691 dated 29 June 2020 issued by Istituto Giordano*

Cliente / Customer

**AIGNEP S.p.A.**

Via Don Giuseppe Bazzoli, 3 - 25070 BIONE (BS) - Italia

Oggetto / Item\*

**raccordi denominati**

**"Raccordi ad innesto rapido per tubazioni in alluminio Serie 90.000, DN168"**  
*couplings named "Series 90.000, DN168 PN16 quick-action coupling for use with aluminium tubes"*

Attività / Activity

**verifica della tenuta sotto pressione pneumatica interna con e senza  
sollecitazione a flessione, della pressione idraulica di rottura  
e della resistenza al distacco**

*verification of internal pneumatic pressure tightness with and without bending stress, hydraulic burst  
pressure and resistance to detachment*



Risultati / Results

Prova / Test		Esito / Result
Verifica della tenuta nei confronti della depressione (0,99 bar)/pressione (24 bar e 0,5 bar) pneumatiche interne <i>Leaktightness under internal pneumatic positive (24 bar and 0,5 bar)/negative (0,99 bar) pressure</i>	raccordo diritto <i>strait coupling</i>	positivo <i>pass</i>
	raccordo a T intermedio <i>"T" shaped coupling</i>	
	raccordo a L intermedio <i>"L" shaped coupling</i>	
Pressione idraulica di rottura <i>Bursting strength</i>	raccordo diritto <i>strait coupling</i>	alla pressione di 42 bar si è manifestata una perdita in corrispondenza della guarnizione fra il raccordo e il collare di presa sul tubo <i>leakage from the gasket of the coupling at the pressure of 42 bar</i>
	raccordo a T intermedio <i>"T" shaped coupling</i>	nessuna perdita o rottura fino alla pressione di 42 bar <i>no leakage or rupture up to a pressure of 42 bar</i>
	raccordo a L intermedio <i>"L" shaped coupling</i>	
Resistenza al distacco e verifica tenuta pneumatica a 6 bar <i>Resistance to pull-out and leaktightness under 6 bar internal pneumatic pressure</i>	raccordo diritto <i>strait coupling</i>	positivo <i>pass</i>
Tenuta sotto pressione idrostatica interna e con contemporanea applicazione di sollecitazione a flessione <i>Leaktightness under internal hydrostatic pressure whilst subjected to bending</i>	raccordo diritto intermedio <i>intermediate strait coupling</i>	positivo <i>pass</i>
	raccordo diritto <i>strait coupling</i>	

(\*) secondo le dichiarazioni del cliente.  
*according to that stated by the customer.*

Bellaria-Igea Marina - Italia, 10 luglio 2020  
*Bellaria-Igea Marina - Italy, 10 July 2020*

L'Amministratore Delegato  
*Chief Executive Officer*  
(Dott. Arch. Sara Lorenza Giordano)

Firmato digitalmente da SARA LORENZA GIORDANO

Commessa:

Order:

84591

Provenienza dell'oggetto:

Item origin:

campionato e fornito dal cliente  
*sampled and supplied by the customer*

Identificazione dell'oggetto in accettazione:

Identification of item received:

2020/1050 del 26 maggio 2020  
*2020/1050 dated 26 May 2020*

Data dell'attività:

Activity date:

dal 3 giugno 2020 al 9 giugno 2020  
*from 3 June 2020 to 9 June 2020*

Luogo dell'attività:

Activity site:

Istituto Giordano S.p.A. - Blocco 2 - Via Gioacchino Rossini, 2 - 47814 Bellaria-Igea Marina (RN) - Italia

il presente documento è composto da n. 1 pagina (in formato bilingue (italiano e inglese), in caso di dubbio è valida la versione in lingua italiana) e non può essere riprodotto parzialmente, estrapolando parti di interesse a discrezione del cliente, con il rischio di favorire una interpretazione non corretta dei risultati, fatto salvo quanto definito a livello contrattuale. I risultati si riferiscono solo all'oggetto in esame, così come ricevuto, e sono validi solo nelle condizioni in cui l'attività è stata effettuata.

Per quanto riguarda la descrizione dell'oggetto, i riferimenti normativi, le modalità, le apparecchiature, i risultati e quant'altro necessario all'identificazione dell'attività svolta si rimanda al rapporto di classificazione n. 372691 emesso da Istituto Giordano in data 29 giugno 2020.

L'originale del presente documento è costituito da un documento informatico firmato digitalmente ai sensi della Legislazione Italiana applicabile.

*This document is made up of 1 page (in a bilingual format (Italian and English), in case of dispute the only valid version is the Italian one) and shall not be reproduced except in full without extrapolating parts of interest at the discretion of the customer, with the risk of favoring an incorrect interpretation of the results, except as defined at contractual level.*

*The results relate only to the item examined, as received, and are valid only in the conditions in which the activity was carried out.*

*As regards the description of the item, apparatus, method, results and everything else necessary for the identification of the work carried out, please see classification report No. 372691 issued by Istituto Giordano on 29 June 2020.*

*The original of this document consists of an electronic document digitally signed pursuant to the applicable Italian Legislation.*

Responsabile Tecnico di Prova: / Chief Test Technician:

Dott. Ing. Luca Bonini

Responsabile del Laboratorio di Termotecnica: / Head of Thermotechnica Laboratory:

Dott. Ing. Eugenio Berlini

Compilatore: / Compiler: Francesca Manduchi

Revisore: / Reviewer: Dott. Ing. Luca Bonini

Pagina 1 di 1 / Page 1 of 1

**RISULTATI ESTRATTI DAL RAPPORTO DI PROVA N° 189076, N° 236272 E N° 312056 DELL' ISTITUTO GIORDANO**

OUTCOME OF THE TEST NR. 189076, NR. 236272 AND NR. 312056 OF GIORDANO INSTITUTE  
 AUSZÜGE VON TESTERGEBNISSEN NR.° 189076, NR.° 236272 UND NR.° 312056 VOM INSTITUT GIORDANO  
 EXTRAITS DES RÉSULTATS DES TESTS NO189076, NO 236272 ET NO 312056 DE L'INSTITUT GIORDANO  
 RESULTADOS EXTRAIDOS DE LA PRUEBA NR.189076, NR.236272 Y NR.312056 DEL INSTITUTO GIORDANO  
 RESULTADOS EXTRAÍDOS DO RELATÓRIO DE TESTE N° 189076 E N° 236272 DO INSTITUTO GIORDANO



<b>Test di tenuta</b> I test di tenuta vengono eseguiti moltiplicando x 1.5 la pressione nominale (PN) e mantenendola per 15 minuti durante i quali vengono verificate eventuali perdite.	<b>IT Leakage Test</b> Pressure leakage tests are performed at 1.5 times the pressure rating (PN). Pressure is held for 15 minutes during which time any leakages is checked.	<b>GB Dichtheitsprüfung</b> Die Druckdichtheitsprüfung wird mit dem 1,5-fachen des Nenndrucks (PN) durchgeführt. Der Druck wird 15 Minuten lang gehalten, während dieser Zeit werden alle Leckagen überprüft.
<b>Test de fuite</b> Les tests de fuite sous pression sont effectués à 1,5 fois la pression nominale (PN). La pression est maintenue pendant 15 minutes pendant lesquelles nous vérifions les fuites éventuelles.	<b>FR Prueba de estanqueidad</b> La prueba de estanqueidad se ha realizado moltiplicando x 1,5 la presión nominal (PN) y manteniéndola 15 minutos durante los cuales se verifican eventuales perdidas.	<b>ES Teste de estanqueidade</b> O teste de estanqueidade é feito moltiplicando x 1.5 a pressão nominal (PN) e mantendo-a por 15 minutos durante os quais são verificados eventuais vazamentos.

<b>Ø DN</b>	<b>Verifica tenuta pneumatica a 22,5 bar (1,5 PN) per 15 min</b> Pressure test at 22,5 bar (1,5 PN) for 15 min Pneumatische Beständigkeit bei 22,5 bar (1,5 PN) für 15 Minuten Résistance pneumatique à 22,5 bar (1,5 PN) pour 15 minute Prueba de estanqueidad neumática a 22,5 bar (1,5 PN) por 15 min Verificação de estanqueidade a 22,5 bar (1,5 PN) por 15 minutos	<b>Verifica tenuta pneumatica a 0,5 bar per 15 min</b> Pressure test at 0,5 bar for 15 minute Pneumatische Beständigkeit bei 0,5 bar für 15 Minuten Résistance pneumatique à 0,5 bar pour 15 minute Prueba de estanqueidad neumática a 0,5 bar por 15 min Verificação de estanqueidade a 0,5 bar por 15 minutos
20		
25		
32		
40		
50		
63		
80	Nessuna perdita visibile No visible leakage Kein erkennbarer Verlust Aucune fuite Ninguna fuga visible Nenhuma perda ou vazamento visível	Nessuna perdita visibile No visible leakage Kein erkennbarer Verlust Aucune fuite Ninguna fuga visible Nenhuma perda ou vazamento visível
110		
168		

**RISULTATI ESTRATTI DAL RAPPORTO DI PROVA N° 189076, N° 236272 E N° 312056 DELL' ISTITUTO GIORDANO**

OUTCOME OF THE TEST NR.189076, NR. 236272 AND N° 312056 OF GIORDANO INSTITUTE

AUSZÜGE VON TESTERGEBNISSEN NR.° 189076, NR.° 236272 UND NR.° 312056 VOM INSTITUT GIORDANO

EXTRAITS DES RÉSULTATS DES TESTS NO189076, NO 236272 ET NO 312056 DE L'INSTITUT GIORDANO

RESULTADOS EXTRAIDOS DE LA PRUEBA NR.189076, NR.236272 Y NR.312056 DEL INSTITUTO GIORDANO

RESULTADOS EXTRAÍDOS DO RELATÓRIO DE TESTE N° 189076 E N° 236272 DO INSTITUTO GIORDANO



<b>Test di trazione</b> Le prove di trazione a carico costante sono state eseguite secondo la Norma UNI-EN 1254-2:2000 sezione 5.5.	<b>IT Tensile test</b> Tensile tests were performed according to the UNI-EN 1254-2:2000 standard, section 5.5.	<b>GB Dehnungsversuch</b> Die Zugversuche wurden gemäß der Norm UNI-EN 1254-2:2000, Abschnitt 5.5, durchgeführt.
<b>Test de traction</b> Les essais de traction ont été effectués selon la norme UNI-EN 1254-Norme 2:2000, section 5.5.	<b>FR Test de tracción</b> Las pruebas de tracción a carga constante se han realizado según la Norma UNI-EN 1254-2:2000 sección 5.5.	<b>ES Teste de tração</b> Os testes de tração por carga constante foram realizados segundo a Norma UNI-EN 1254-2:2000 seção 5.5.

<b>Ø DN</b>	<b>Carico di trazione applicato</b> <i>load applied</i> <i>Angewendete Zugkraft</i> <i>Force de traction</i> <i>Carga de tracción aplicada</i> <i>Carga de tração aplicada</i>	<b>Sfilamento massimo del tubo dai raccordi</b> <i>Max slippage</i> <i>Extraktion des Rohres aus der Verschraubung</i> <i>Extraction du tube</i> <i>Deslizamiento máximo del tubo de los racores</i> <i>Desconexão máxima entre conexões e tubo</i>	<b>Verifica tenuta pneumatica a 6 bar</b> <i>Leakage test at 6 bar</i> <i>Pneumatische Beständigkeit bei 6 bar</i> <i>Résistance à 6 bar</i> <i>Verificación estanqueidad neumática a 6 bar</i> <i>Verificação de vazamento pneumático a 6 bar</i>
	(N)	(mm)	
20	1500	0.9	Nessuna perdita visibile No visible leakage Kein erkennbarer Verlust Aucune fuite Ninguna fuga visible Nenhuma perda ou vazamento visível
25	1500	0.4	
32	2000	0.4	
40	2000	0	
50	2000	0	
63	2500	0	
80	2500	0.3	
110	2500	0.49	
168	2500	0.1	



<b>Test della pressione di scoppio</b> I test vengono eseguiti aumentando gradualmente la pressione idrostatica, per almeno 30 secondi, fino allo sfilamento o alla rottura del raccordo.	<b>IT</b> <b>Burst pressure test</b> Tests are conducted by gradually increasing the hydrostatic pressure, for at least 30 seconds, until the slippage or rupture of the fitting.	<b>GB</b> <b>Berstdruckprüfung</b> Die Prüfung erfolgt durch schrittweise Erhöhung des hydrostatischen Drucks, mindestens 30 Sekunden lang, bis zum Abrutschen oder Bersten des Fittings	<b>DE</b>
<b>Test de pression d'éclatement</b> Les tests sont effectués en augmentant progressivement la pression hydrostatique, pendant au moins 30 secondes, jusqu'au désengagement ou rupture du raccord.	<b>FR</b> <b>Prueba de la presión de rotura</b> Las pruebas se realizan aumentando gradualmente la presión hidráulica, durante al menos 30 segundos, hasta el deslizamiento o hasta la rotura del racor.	<b>ES</b> <b>Teste de pressão de ruptura</b> Os testes são realizados aumentando-se gradualmente a pressão hidrostática, por pelo meno 30 segundos, até a desconexão ou ruptura da conexão.	<b>PT</b>

<b>Ø DN</b>	<b>Pressione idraulica di rottura</b> <b>Hydraulic rupture pressure</b> <b>Hydraulischer Berstdruck</b> <b>Pression hydraulique de d'éclatement</b> <b>Presión hidráulica de rotura</b> <b>Pressão hidráulica de ruptura</b>
<b>20</b>	<p><b>Alla pressione di 115 bar si è verificato un parziale sfilamento del tubo dal raccordo, con perdita di notevole entità.</b>                      At 115 bar of pressure a partial slippage occurred, with visible leakage.                      Bei einem Druck von 115 bar gab es einen teilweisen Auszug der Rohrverbindung, mit einer signifikanten Verlustmenge.                      A une pression de 115 bars, extraction partielle du tube et pertes notables.                      A la presión de 115 bar se ha verificado un parcial deslizamiento del tubo del racor, con pérdida de notable entidad.                      A uma pressão de 115 bar houve uma parcial desconexão do tubo com a conexão causando um vazamento ar perceptível.</p>
<b>25</b>	<p><b>Alla pressione di 75 bar si è verificato lo sfilamento totale del tubo dal raccordo.</b>                      At 75 bar of pressure a complete slippage occurred.                      Bei einem Druck von 75 bar erfolgt die Trennung zwischen Rohr und Verschraubung.                      Déconnexion du tube à une pression de 75 bar.                      A la presión de 75 bar el tubo ha salido completamente del racor.                      A uma pressão de 75 bar houve uma desconexão total do tubo com a conexão.</p>
<b>32</b>	<p><b>Alla pressione di 78 bar il tubo ha iniziato a sfilarsi dal raccordo; con tenuta idraulica: a 93 bar si è prodotto lo sfilamento completo.</b>                      At 78 bar of pressure slippage started occurring; complete slippage occurred at 93 bar.                      Bei einem Druck von 78 bar entstand eine teilweise Extraktion der Rohrverbindung; bei 93 bar eine komplette Trennung.                      Extraction partielle du tube du raccord à 78 bar; déconnexion à 93 bar.                      A la presión de 78 bar el tubo ha iniciado a salir del racor; con estanqueidad hidráulica: a 93 bar el tubo ha salido completamente del racor.                      A uma pressão de 78 bar iniciou-se a desconexão do tubo com uma das conexões estanques; a 93 bar ocorreu total desconexão do tubo.</p>
<b>40</b>	<p><b>Alla pressione di 75 bar il tubo ha iniziato a sfilarsi da un raccordo.</b>                      At 75 bar of pressure slippage occurred.                      Vorzeitige Extraktion der Rohrverbindung bei 75 bar und grosse Verluste.                      Début d'extraction du tube du raccord à 75 bar et pertes notables.                      A la presión de 75 bar el tubo ha empezado a salir del racor.                      A uma pressão de 75 bar o tubo começou a se desconectar da conexão.</p>
<b>50</b>	<p><b>Alla pressione di 58 bar il tubo ha iniziato a sfilarsi da un raccordo.</b>                      At 58 bar of pressure slippage occurred.                      Vorzeitige Extraktion der Rohrverbindung bei 58 bar und grosse Verluste.                      Début d'extraction du tube du raccord à 58 bar et pertes notables.                      A la presión de 58 bar el tubo ha empezado a salir del racor.                      A uma pressão de 58 bar o tubo começou a se desconectar de uma das conexões.</p>
<b>63</b>	<p><b>Alla pressione di 58 bar il tubo ha iniziato a sfilarsi da un raccordo.</b>                      At 58 bar of pressure slippage occurred.                      Vorzeitige Extraktion der Rohrverbindung bei 58 bar und grosse Verluste.                      Début d'extraction du tube du raccord à 58 bar et pertes notables.                      A la presión de 58 bar el tubo ha empezado a salir del racor                      A uma pressão de 58 bar o tubo começou a se desconectar de uma das conexões.</p>
<b>80</b>	<p><b>Alla pressione di 64 bar si è manifestata una perdita.</b>                      At 64 bar of pressure a leakage occurred.                      Bei 64 bar Leckagen, keine Möglichkeit den Druck zu erhöhen.                      A 64 bar pertes empêchant de poursuivre le test.                      A la presión de 64 bar se ha manifestado una pérdida.                      A uma pressão de 64 bar foi verificado um vazamento.</p>
<b>110</b>	<p><b>Alla pressione di 36 bar si è manifestata una perdita.</b>                      At 36 bar of pressure a leakage occurred.                      Bei 36 bar Leckagen, keine Möglichkeit den Druck zu erhöhen.                      A 36 bar pertes empêchant de poursuivre le test.                      A la presión de 36 bar se ha manifestado una pérdida.                      A uma pressão de 36 bar foi verificado um vazamento.</p>
<b>168</b>	<p><b>Alla pressione di 42 bar si è manifestata una perdita.</b>                      At 42 bar of pressure a leakage occurred.                      Bei 42 bar Leckagen, keine Möglichkeit den Druck zu erhöhen.                      A 42 bar pertes empêchant de poursuivre le test.                      A la presión de 42 bar se ha manifestado una pérdida.                      A uma pressão de 42 bar foi verificado um vazamento.</p>



<p><b>Test di tenuta con sollecitazione</b></p> <p>Le prove di tenuta vengono eseguite applicando pressione pneumatica interna e contemporanea sollecitazione a flessione, come da Norma UNI-EN 1254-2:2000 sezione 5.6.</p> <p>Il campione viene riempito con acqua a temperatura ambiente e successivamente pressurizzato alla pressione idrostatica indicata nel prospetto 8.</p> <p>Viene quindi applicato al raccordo un carico a flessione tale da creare una freccia di 20±1 mm, mantenuto per un tempo di 5 minuti.</p> <p>In seguito, mediante applicazione dello stesso carico, viene verificata anche la tenuta del tubo nei confronti di una pressione pneumatica di 6 o 10 bar a seconda del diametro del tubo.</p>	<p><b>IT</b></p> <p><b>Leakage test under stress.</b></p> <p><i>Leak tests are performed by applying simultaneously internal pressure and bending stress, as per UNI-EN 1254-2:2000 Standard, section 5.6.</i></p> <p><i>The specimen is filled with water at room temperature and then pressurized as per Table 8.</i></p> <p><i>A bending load is then applied to the fitting such as to create a deflection of 20±1 mm, and it's maintained for of 5 minutes. Subsequently, a pneumatic pressure test at 6 or 10 bar, depending on the diameter of the pipe, is carried out, under the same stress conditions.</i></p>	<p><b>GB</b></p> <p><b>Dichtheitsprüfung unter Belastung.</b></p> <p><i>Die Dichtheitsprüfung erfolgte durch gleichzeitige Anwendung von Innendruck und Biegebeanspruchung gemäß der Norm UNI-EN 1254-2:2000, Abschnitt 5.6.</i></p> <p><i>Der Probekörper wird bei Raumtemperatur mit Wasser gefüllt und dann gemäß Tabelle 8 mit Druck beaufschlagt.</i></p> <p><i>Dann wird eine Biegekräft auf den Fitting ausgeübt, die eine Durchbiegung von 20 ±1 mm erzeugen, die 5 Minuten lang aufrechterhalten wird.</i></p> <p><i>Anschließend wird eine pneumatische Druckprüfung mit 6 oder 10 bar, je nach Durchmesser des Rohres, unter den gleichen Belastungsbedingungen durchgeführt.</i></p>
<p><b>Test d'étanchéité avec contrainte</b></p> <p><i>Les tests d'étanchéité sont effectués en appliquant simultanément une pression interne et une contrainte de flexion, selon la norme UNI-EN 1254-2:2000, rubrique 5.6.</i></p> <p><i>L'échantillon est rempli d'eau à température ambiante puis sous pression selon le tableau 8.</i></p> <p><i>Une charge de flexion est ensuite appliquée au raccord de manière à créer une flèche de 20±1 mm, et est maintenue pendant 5 minutes.</i></p> <p><i>Ensuite, un test de pression pneumatique à 6 ou 10 bar, en fonction du diamètre de la canalisation, s'effectue, sous les mêmes contraintes.</i></p>	<p><b>FR</b></p> <p><b>Prueba de fugas con estrés</b></p> <p><i>Las pruebas de fuga se realizan aplicando presión neumática interna y tensión de flexión simultánea según norma UNI-EN 1254-2:2000 apartado 5.6.</i></p> <p><i>La muestra se llena con agua a temperatura ambiente posteriormente presurizada a la presión hidráulica indicada en la tabla 8.</i></p> <p><i>Luego se aplica una carga de flexión al accesorio para crear una deflexión de 20±1 mm, y se mantiene durante 5 minutos.</i></p> <p><i>Posteriormente, mediante la aplicación de la misma carga, se verifica la estanqueidad del tubo frente a una presión neumática de 6 a 10 bar según el diámetro del tubo.</i></p>	<p><b>ES</b></p> <p><b>Teste de vazamento sob stress</b></p> <p><i>Os testes de vazamento são realizados aplicando uma pressão pneumática interna e ao mesmo tempo uma força de flexão, de acordo com a Norma UNI-EN 1254-2:2000 seção 5.6.</i></p> <p><i>A amostra é preenchida com água a temperatura ambiente e é sucessivamente pressurizada à pressão hidrostática indicada no prospecto 8.</i></p> <p><i>Então é aplicado à conexão uma força de flexão tal a criar uma deflexão de 20±1 mm, mantida por 5 minutos.</i></p> <p><i>A seguir, mediante a aplicação da mesma força, é verificada também o estanqueidade do tubo à uma pressão de 6 ou 10 bar segundo o diâmetro do tubo.</i></p>
<p><b>PT</b></p>		

Ø DN	Distanza tra i centri dei supporti applicato <i>Distance between flexion points</i> <i>Der Abstand zwischen den Stützpunkten</i> <i>Distance entre les points d'appuis</i> <i>Distancia entre los centros de los apoyos aplicados</i> <i>Distância entre os centros dos supportes montados</i>	Pressione pneumatica di prova <i>Pneumatic testing pressure</i> <i>Pneumatischer Prüfdruck</i> <i>Pression pneumatique</i> <i>Presión neumática de prueba</i> <i>Pressão pneumática de teste</i>	Resistenza meccanica e tenuta pneumatica <i>Pneumatic and mechanical outcome</i> <i>Prüfen der mechanischen Festigkeit und Dichtheit</i> <i>Résistance et endurance pneumatique</i> <i>Resistencia mecánica y estanqueidad neumática</i> <i>Resistência mecânica e vedação contra vazamento</i>
	(mm)	(bar)	
20	1800	10	Nessuna perdita visibile <i>No visible leakage</i> <i>Kein erkennbarer Verlust</i> <i>Aucune fuite</i> <i>Ninguna fuga visible</i> <i>Nenhuma perda ou vazamento visível</i>
25	1800	10	
32	1800	10	
40	2400	10	
50	2700	10	
63	3000	6	
80	3000	6	
110	3000	6	
168	3000	6	

**Il certificato che riporta tutti i dettagli e modalità delle prove può essere richiesto.**

*The certificate is available upon request.*  
*Der vollständige Bericht ist auf Anfrage erhältlich.*  
*Le rapport complet est disponible sur demande.*  
*El certificado está disponible bajo demanda.*  
*O certificado está disponível a pedido.*

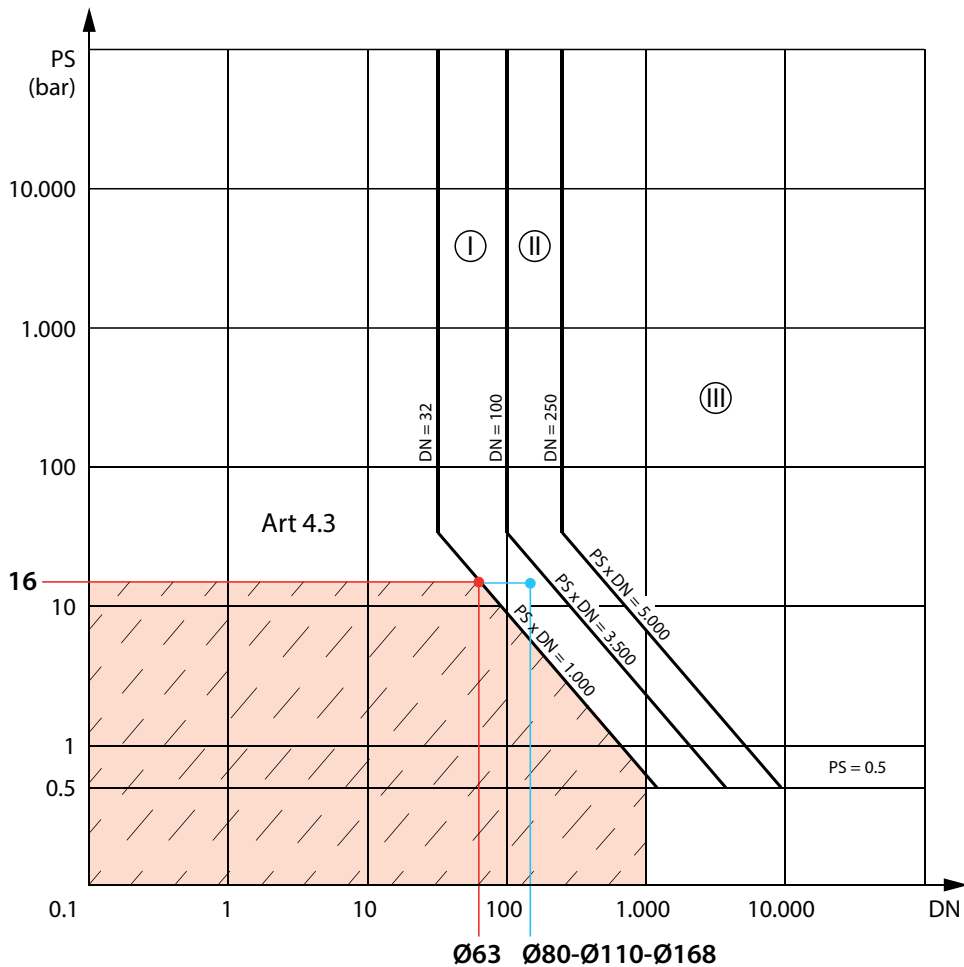


**DICHIARAZIONE DI CONFORMITA' PER GLI IMPIANTI DI DISTRIBUZIONE DELL'ARIA**

CCONFORMITY DECLARATION FOR COMPRESSED AIR DISTRIBUTION  
 KONFORMITÄTSEKLRÄRUNG FÜR DIE DRUCKLUFTVERTEILUNG  
 DÉCLARATION DE CONFORMITÉ - DISTRIBUTION D'AIR COMPRIMÉ  
 DECLARACIÓN DE CONFORMIDAD PARA REDES DE AIRE COMPRIMIDO  
 DECLARAÇÃO DE CONFORMIDADE PARA REDE DE DISTRIBUIÇÃO DE AR COMPRIMIDO



Dichiarazione di conformità	IT	Conformity declaration	GB	Konformitätserklärung	DE
Aignep dichiara che il sistema di distribuzione dell'aria testato alle seguenti condizioni di utilizzo: - Pressione (-0,99 bar / 16 bar) - Temperatura (-20°C / +80°C) soddisfa la direttiva 2014/68/UE (PED: Pressure Equipment Directive)		Aignep declares to have tested the air distribution system at the following conditions of use: - Pressure: (-0,99 bar / 16 bar) - Temperature: (-20°C / +80°C) In compliance with Directive 2014/68/EU (PED: Pressure Equipment Directive)		Aignep erklärt, das Luftverteilungssystem unter folgenden Einsatzbedingungen getestet zu haben: - Druck: (-0,99 bar / 16 bar) - Temperatur: (-20°C / +80°C) In Übereinstimmung mit der Richtlinie 2014/68/EU (PED: Druckgeräterichtlinie)	
Déclaration de conformité	FR	Declaración de conformidad	ES	Declaração de conformidade	PT
Aignep déclare que le système de distribution d'air a été testé dans les conditions d'utilisation suivantes : - Pression (-0,99 bar / 16 bar) - Température (-20°C / +80°C) Et est conforme à la directive 2014/68/UE (PED : Pressure Equipment Directif)		Aignep declara que el sistema de distribución de aire ha sido probado bajo las siguientes condiciones de uso: - Presión: (-0,99 bar / 16 bar) - Temperatura: (-20°C / +80°C) Cumple con la directiva 2014/68/UE (PED: Directiva Equipos a Presión)		Aignep declara que o sistema de distribuição de ar é testado nas seguintes condições de utilização: - Pressão (-0,99 bar / 16 bar) - Temperatura (-20°C / +80°C) e satisfaz a diretiva 2014/68/UE (PED: Pressure Equipment Directive)	



**DICHIARAZIONE DI CONFORMITA' PER GLI IMPIANTI DI DISTRIBUZIONE DELL'ARIA**

CONFORMITY DECLARATION FOR COMPRESSED AIR DISTRIBUTION  
 KONFORMITÄTSERKLÄRUNG FÜR DIE DRUCKLUFTVERTEILUNG  
 DÉCLARATION DE CONFORMITÉ - DISTRIBUTION D'AIR COMPRIMÉ  
 DECLARACIÓN DE CONFORMIDAD PARA REDES DE AIRE COMPRIMIDO  
 DECLARAÇÃO DE CONFORMIDADE PARA REDE DE DISTRIBUIÇÃO DE AR COMPRIMIDO



Ø 20 -> Ø 63	IT	Ø 20 -> Ø 63	GB	Ø 20 -> Ø 63	DE
<p>Secondo la direttiva 2014/68/UE (Cod. 4.3), per tutti i tubi e i relativi raccordi Ø20 - Ø25 - Ø32 - Ø40 - Ø50 - Ø63 mm che costituiscono gli impianti di distribuzione dell'aria Infinity, non è necessaria la marcatura CE.</p> <p>Esempio: Prendendo in considerazione il diametro interno del tubo DN 63 (= 59 mm) e la pressione massima di 16 bar, si osserva nel grafico che il punto di intersezione dato da PS x DN = 16bar x 59mm = 944 si trova alla sinistra della zona PS x DN = 1.000. Tale zona è esente dalla marcatura CE secondo la direttiva menzionata (Cod.4 .3).</p>	<p>As per Directive 2014/68/EU (Cod. 4.3), for all pipes and related fittings of Ø20 - Ø25 - Ø32 - Ø40 - Ø50 - Ø63 mm that are part of our Infinity air distribution systems, the CE marking is not required.</p> <p>Example: DN63 pipe with an internal diameter of 59 mm at a max pressure of 16 bar. We can see in the graph that the intersection point given by PS x DN is equal to 16bar x 59mm. The result, 944, is below the zone marked as PS x DN = 1,000. This zone is exempt from CE marking according to the above mentioned directive (Cod.4 .3).</p>	<p>Gemäß der Richtlinie 2014/68/EU (Cod. 4.3), für alle Rohre und zugehörige Fittings von Ø20 - Ø25 - Ø32 - Ø40 - Ø50 - Ø63 mm, die Teil unseres Infinity-Luftverteilungssystems sind, ist die CE-Kennzeichnung nicht erforderlich.</p> <p>Beispiel: DN63-Rohr mit einem Innendurchmesser von 59 mm bei einem maximalen Druck von 16 bar. Aus dem Diagramm geht hervor, dass der Schnittpunkt der sich aus PS x DN ergibt, gleich 16 bar x 59 mm ist. Das Ergebnis, 944, liegt unter der mit PS x DN = 1.000 gekennzeichneten Zone. Dieser Bereich ist von der CE-Kennzeichnung ausgenommen Kennzeichnung gemäß der oben genannten Richtlinie (Cod.4.3).</p>			
<p>Ø 20 -&gt; Ø 63</p> <p>FR</p> <p>Selon la directive 2014/68/UE (Cod. 4.3), pour tous les tubes et les raccords relatifs Ø20 - Ø25 - Ø32 - Ø40 - Ø50 - Ø63 mm qui constituent les systèmes de distribution d'air Infinity, le Marquage CE n'est pas obligatoire.</p> <p>Exemple: En tenant compte du diamètre intérieur du tuyau DN 63 (= 59 mm) et la pression maximale de 16 bar, est observée dans graphique que le point d'intersection donné par PS x DN = 16bar x 59 mm = 944 est à gauche de la zone PS x DN = 1 000. Cette zone est exemptée du marquage CE selon la directive mentionnée (Cod.4 .3).</p>	<p>Ø 20 -&gt; Ø 63</p> <p>ES</p> <p>Según la directiva 2014/68/UE (Cod. 4.3), para todas las tuberías y los relativos racores Ø20 - Ø25 - Ø32 - Ø40 - Ø50 - Ø63 mm que constituyen los sistemas de distribución de aire Infinity, no es necesario el marcaje CE.</p> <p>Ejemplo: Considerando el diámetro interior de la tubería DN63 (= 59 mm) y la presión máxima de 16 bar, se observa en la gráfica que el punto de intersección dado por PS x DN = 16bar x 59 mm = 944 está a la izquierda de la zona PS x DN = 1 000. Esta zona está exenta del marcaje CE según la directiva mencionada (Cod.4.3).</p>	<p>Ø 20 -&gt; Ø 63</p> <p>PT</p> <p>Segundo a diretiva 2014/68/UE (Cod. 4.3), para todos os tubos e conexões de Ø20 - Ø25 - Ø32 - Ø40 - Ø50 - Ø63 mm que constituem as redes de distribuição de ar Infinity, não é necessária a marcação CE.</p> <p>Exemplo: Tendo em consideração o diâmetro interno do tubo DN 63 (= 59 mm) e a pressão máxima de 16 bar, observa-se no gráfico que o ponto de intersecção dado pela PS x DN = 16bar x 59mm = 944 se encontra à esquerda da zona PS x DN = 1.000. Tal zona é isenta da marcação CE segundo a diretiva mencionada (Cód.4 .3).</p>			

**DICHIARAZIONE DI CONFORMITA' PER GLI IMPIANTI DI DISTRIBUZIONE DELL'ARIA**

CONFORMITY DECLARATION FOR COMPRESSED AIR DISTRIBUTION  
 KONFORMITÄTSERKLÄRUNG FÜR DIE DRUCKLUFTVERTEILUNG  
 DÉCLARATION DE CONFORMITÉ - DISTRIBUTION D'AIR COMPRIMÉ  
 DECLARACIÓN DE CONFORMIDAD PARA REDES DE AIRE COMPRIMIDO  
 DECLARAÇÃO DE CONFORMIDADE PARA REDE DE DISTRIBUIÇÃO DE AR COMPRIMIDO



Ø 80 -> Ø 168	IT	Ø 80 -> Ø 168	GB	Ø 80 -> Ø 168	DE
<p>Secondo la direttiva 2014/68/UE (Cod. 4.3), per tutti i tubi e i relativi raccordi Ø80 - Ø110 - Ø168 mm che costituiscono gli impianti di distribuzione dell'aria Infinity, è prevista la valutazione della conformità secondo un controllo di fabbricazione interno.</p> <p>Esempio:                      Prendendo in considerazione il diametro interno dei tubi DN 80 - 110 - 168 e la pressione massima di 16 bar, si osserva nel grafico che i punti di intersezione dati da PS x DN:                      DN 80 -&gt; 16 bar x 76 mm = 1.216                      DN 110 -&gt; 16 bar x 105 mm = 1.680                      DN 168 -&gt; 16 bar x 160.3 mm = 2.565                      rientrano nella zona individuata come "Categoria I", la quale prevede la valutazione di conformità.</p>	<p>According to Directive 2014/68/EU (Cod. 4.3), for all the pipes and their fittings Ø 80 - Ø 110 - Ø 168 mm that constitute the Infinity air distribution systems, conformity assessment according to an internal manufacturing control is foreseen.</p> <p>Example:                      Taking into account the internal diameter of the tubes 80 - 110 - 168 and the maximum pressure of 16 bar, it is observed in the graph that the intersection points given by PS x DN:                      DN 80 -&gt; 16 bar x 76 mm = 1.216                      DN 110 -&gt; 16 bar x 105 mm = 1.680                      DN 168 -&gt; 16 bar x 160.3 mm = 2.565                      fall within the area identified as "Category I", which provides for conformity assessment.</p>	<p>Gemäß der Richtlinie 2014/68/EU (Cod. 4.3) ist für alle Rohre und deren Fittings Ø 80 - Ø 110 - Ø 168 mm, die die Infinity-Luftverteilsysteme bilden, eine Konformitätsbewertung gemäß einer internen Herstellungskontrolle vorgesehen.</p> <p>Beispiel:                      Unter Berücksichtigung des Innendurchmessers der Rohre 80 - 110 - 168 und des maximalen Drucks von 16 bar wird in der Grafik beobachtet, dass die Schnittpunkte durch PS x DN gegeben sind:                      DN 80 -&gt; 16 bar x 76 mm = 1.216                      DN 110 -&gt; 16 bar x 105 mm = 1.680                      DN 168 -&gt; 16 bar x 160,3 mm = 2.565                      in das als "Kategorie I" bezeichnete Gebiet fallen, das eine Konformitätsbewertung vorsieht.</p>			
<p>Ø 80 -&gt; Ø 168</p> <p>Selon la directive 2014/68/UE (Cod. 4.3), pour tous les tuyaux et les raccords relatifs Ø80 - Ø110 - Ø168 mm qui constituent les systèmes de distribution d'air Infinity, est prévu l'évaluation de la conformité selon un contrôle de fabrication en interne.</p> <p>Exemple:                      En tenant compte du diamètre intérieur des tuyaux DN 80 - 110 - 168 et la pression maximale de 16 bar, est observée dans graphique que les points d'intersection donnés par PS x DN:                      DN 80 -&gt; 16bar x 76mm = 1.216                      DN 110 -&gt; 16bar x 105mm = 1.680                      DN 168 -&gt; 16 bars x 160.3 mm = 2.565                      relèvent de la zone identifiée comme "Catégorie I".                      Pour cette catégorie, la directive 2014/68/UE (Cod.4.3) prévoit une évaluation de la conformité, selon un contrôle interne.</p>	<p>FR</p> <p>Ø 80 -&gt; Ø 168</p> <p>Según la directiva 2014/68/UE (Cod. 4.3), para todas las tuberías y los relativos racores Ø80 - Ø110 - Ø168 mm que constituyen los sistemas de distribución de aire Infinity, está prevista una evaluación de la conformidad según un control de fabricación interna.</p> <p>Ejemplo:                      Considerando el diámetro interior de las tuberías DN 80 - 110 - 168 y la presión máxima de 16 bar, se observa en la grafica que los puntos de intersección dados por PS x DN:                      DN 80 -&gt; 16 bar x 76 mm = 1.216                      DN 110 -&gt; 16 bar x 105 mm = 1.680                      DN 168 -&gt; 16 bar x 160,3 mm = 2.565                      Están dentro del área identificada como "Categoría I", que prevé la evaluación interna de la conformidad.</p>	<p>ES</p> <p>Ø 80 -&gt; Ø 168</p> <p>De acordo com a Diretiva 2014/68/UE (Cod. 4.3), para todos os tubos e acessórios Ø 80 - Ø 110 - Ø 168 mm que constituem os sistemas de distribuição de ar Infinity, está prevista a avaliação da conformidade de acordo com um controlo de fabrico interno.</p> <p>Exemplo:                      Tendo em conta o diâmetro interno dos tubos DN 80 - 110 - 168 e a pressão máxima de 16 bar, observa-se no gráfico que os pontos de intersecção dados por PS x DN:                      DN 80 -&gt; 16 bar x 76 mm = 1.216                      DN 110 -&gt; 16 bar x 105 mm = 1.680                      DN 168 -&gt; 16 bar x 160.3 mm = 2.565                      enquadrar-se na área identificada como "Categoria I", que prevê a avaliação da conformidade.</p>	<p>PT</p> <p>Ø 80 -&gt; Ø 168</p>		

**CONFORMITA' DEL PROCESSO DI VERNICIATURA A POLVERE POLIESTERE SU TUBI DI ALLUMINIO DELLA SERIE INFINITY**

COMPLIANCE FOR POLYESTER POWDER COATING PROCESS ON "INFINITY" ALUMINUM TUBES

KONFORMITÄT VON POLYESTER-PULVERBESCHICHTUNG AUF INFINITY-ALUMINIUMROHREN

CONFORMITÉ DE LA PEINTURE POLYESTER DES TUBES EN ALUMINIUM DE LA SÉRIE INFINITY

CONFORMIDAD DEL PROCESO DE RECUBRIMIENTO EN POLVO DE POLIÉSTER SOBRE TUBOS DE ALUMINIO DE LA SERIE INFINITY.

CONFORMIDADE DO PROCESSO DE PINTURA A PÓ (POLIÉSTER) NOS TUBOS DE ALUMÍNIO DA SÉRIE INFINITY



Pretrattamento	IT	Pre-Treatment	GB	Vor-Behandlung	DE
Garantisce l'ancoraggio della vernice all'alluminio e ne previene la corrosione e l'ossidazione delle parti non verniciate. È conforme alle normative tecniche: UNI 9921 - DIN 50939 - ASTM D 1730 - MIL C 5541	It ensures the paint adhesion to the aluminium and it prevents corrosion and oxidation of unpainted parts. It complies with the technical standards UNI 9921 - DIN 50939 - ASTM D 1730 - MIL C 5541	Sie gewährleistet die Haftung der Farbe auf dem Aluminium und verhindert Korrosion und Oxidation der unlackierten Teile. Es entspricht den technischen Normen UNI 9921 - DIN 50939 -ASTM D 1730 - MIL C 5541		Die Lackierung erfolgt mit Pulverlack mit ungiftigem Polyester QUALICOT und GSB gemäß den Normen UNI 9983 - BS 6496 - AAMA 603-605 UNI 9983 - BS 6496 - AAMA 603-605.	
<b>Verniciatura</b> Viene effettuata utilizzando vernice in polvere con poliestere atossica certificata QUALICOT e GSB in conformità alle normative: UNI 9983 - BS 6496 - AAMA 603-605.  I sopradescritti trattamenti rendono la parte esterna dei tubi inattaccabile alla corrosione in ambienti marini, in quanto completamente ricoperta di vernice. La parte interna viene solamente pretrattata (cromatata) ed offre altresì una discreta protezione.	<b>Painting</b> It is carried out using powder paint with polyester non-toxic QUALICOT and GSB as per standards UNI 9983 - BS 6496 - AAMA 603-605: UNI 9983 - BS 6496 - AAMA 603-605.  The above-described treatments make the external part of the pipes corrosion resistant in marine environments, as it is completely covered with paint. The inner part instead is only pre-treated (chrome plated) and it also offers a decent amount of protection.	<b>Lackierung</b> Die Lackierung erfolgt mit Pulverlack mit ungiftigem Polyester QUALICOT und GSB gemäß den Normen UNI 9983 - BS 6496 - AAMA 603-605 UNI 9983 - BS 6496 - AAMA 603-605.  Die oben beschriebenen Behandlungen machen den äußeren Teil der Rohre in Meeresumgebungen korrosionsbeständig, da sie vollständig mit Farbe bedeckt ist. Der innere Teil hingegen ist nur vorbehandelt (verchromt) und bietet auch hier einen angemessenen Schutz.		Garante o ancoramento da tinta no alumínio e previne a corrosão e a oxidação das partes não pintadas. É feita conforme às normativas técnicas: UNI 9921 - DIN 50939 - ASTM D 1730 - MIL C 5541	

Prétraitement	FR	Pretratamiento	ES	Pré-tratamento	PT
Il assure l'adhérence de la peinture sur l'aluminium et il empêche la corrosion et l'oxydation des pièces non peintes. Il est conforme aux normes techniques UNI 9921 - DIN 50939 - ASTM D 1730 - MIL C 5541.	Garantiza la adhesión de la pintura al aluminio y previene la corrosión y la oxidación de las partes no pintadas. Conforme a las normativas técnicas: UNI 9921 - DIN 50939 - ASTM D 1730 - MIL C 5541	Garante o ancoramento da tinta no alumínio e previne a corrosão e a oxidação das partes não pintadas. É feita conforme às normativas técnicas: UNI 9921 - DIN 50939 - ASTM D 1730 - MIL C 5541		É executada utilizando tinta a pó com poliéster atóxica certificada QUALICOT e GSB em conformidade às normativas: UNI 9983 - BS 6496 - AAMA 603-605.	
<b>Peinture</b> Elle est réalisée à l'aide de peinture en poudre avec du polyester non toxique QUALICOT et GSB selon les normes UNI 9983 - BS 6496 - AAMA 603-605.  Les traitements ci-dessus rendent l'extérieur des tubes résistant à la corrosion en milieu marin, comme entièrement recouvert de vernis. La partie interne est uniquement prétraitée (chromée) et offre également une bonne protection.	<b>Pintura</b> Está realizada con pintura en polvo con poliéster atóxica certificado QUALICOT y GSB de conformidad con las siguientes normativas: UNI 9983 - BS 6496 - AAMA 603-605.  Los tratamientos anteriores hacen que el exterior de las tuberías sea resistente a la corrosión en ambientes marinos, cuando son completamente cubiertos con barniz. La parte interna solo está pretratada (cromada) y también ofrece una buena protección.	<b>Pintura</b> Os tratamentos descritos acima dão à parte externa dos tubos resistência à corrosão em ambientes marinhos, enquanto completamente recobertos de tinta. A parte interna é somente pré-tratada (cromada) e oferece também um bom nível de proteção.		Garante o ancoramento da tinta no alumínio e previne a corrosão e a oxidação das partes não pintadas. É feita conforme às normativas técnicas: UNI 9921 - DIN 50939 - ASTM D 1730 - MIL C 5541	

**CONFORMITA' ALLA TENUTA AL FUOCO**

RESISTANCE TO FIRE  
FEUERBESTÄNDIGKEIT  
TENUE AU FEU  
RESISTENCIA AL FUEGO  
RESISTÊNCIA AO FOGO



Oggetto	IT	Subject	GB	Gegenstand	DE
Classificazione di prodotti e componenti sulla base dei risultati ottenuti dalle prove di reazione al fuoco secondo UNI EN 13501-1:2005.		<i>Products and components classification based on the results obtained from reaction to fire tests according to UNI EN 13501-1:2005</i>		<i>Klassifizierung von Produkten und Bauteilen auf der Grundlage der Ergebnisse von Brandversuchen gemäß UNI EN 13501-1:2005</i>	
<b>Descrizione prodotto</b>		<b>Description of the product</b>		<b>Beschreibung des Produkts</b>	
Tubo di alluminio verniciato Serie 90000.		<i>Series 90000: Painted aluminium pipes.</i>		<i>Serie 90000: Lackierte Aluminiumrohre.</i>	
<b>Risultato Test</b>		<b>Test Result</b>		<b>Test Ergebnis</b>	
La classificazione viene determinata dall'analisi del calore di combustione della vernice in combinazione con i risultati dei test specificati secondo UNI EN ISO 13823 su lamine piatte equivalenti per spessore di alluminio e di vernice. Il prodotto sottoposto al test viene riconosciuto come prodotto di Classe A2 - S1 - D0 per la resistenza al fuoco.		<i>The classification is determined by the paint combustion heat analysis in combination with the test results mentioned in the UNI EN ISO 13823 for aluminium flat sheets with equivalent material and paint thickness. The tested product falls under the Class A2 - S1 - D0 for fire resistance.</i>		<i>Die Klassifizierung wird durch die Verbrennungswärmeanalyse des Lacks in Kombination mit den in der UNI EN ISO 13823 für flache Aluminiumbleche mit gleichem Material und gleicher Lackdicke geprüft. Das getestete Produkt fällt unter die Klasse A2 - S1 - D0 für Feuerbeständigkeit</i>	

Sujet	FR	Objeto	ES	Assunto	PT
<i>La Classification des produits et des composants est basée sur les résultats obtenus à partir des essais de réaction au feu selon UNI EN 13501-1:2005.</i>		<i>Clasificación de productos y componentes sobre la base de resultados obtenidos de los ensayos de reacción al fuego según UNI EN 13501-1:2005.</i>		<i>Classificação dos produtos e componentes baseadas nos resultados obtidos nos testes de reação ao fogo segundo a norma UNI EN 13501-1:2005.</i>	
<b>Description des produits</b>		<b>Descripción del Producto</b>		<b>Descrição do produto</b>	
<i>Tube en aluminium peint série 90000.</i>		<i>Tubo de aluminio pintado serie 90000.</i>		<i>Tubo de alumínio pintado Série 90000.</i>	
<b>Résultats</b>		<b>Resultado de la prueba</b>		<b>Resultado de Teste</b>	
<i>La classification est déterminée par l'analyse thermique de la combustion de la peinture en combinaison avec les résultats des essais spécifiés selon UNI EN ISO 13823 sur plaques planes équivalents pour l'aluminium et l'épaisseur de la peinture. Le produit soumis au test est reconnu comme Produit de classe A2 - S1 - D0 pour la résistance au feu.</i>		<i>La clasificación está determinada por el análisis de calor de combustión de la pintura en combinación con los resultados de los ensayos especificados según UNI EN ISO 13823 en placas planas equivalentes para espesor de aluminio y de pintura. El producto sometido a la prueba se reconoce como producto de clase A2 - S1 - D0 para la resistencia al fuego.</i>		<i>A classificação é determinada pela análise do calor de combustão da tinta em combinação com os resultados dos testes especificados segundo a UNI EN ISO 13823 para lâminas chatas de alumínio com material e pintura equivalentes. O produto submetido ao teste é reconhecido como produto de Classe A2 - S1 - D0 para a resistência ao fogo.</i>	



**CARATTERISTICHE TECNICHE**

TECHNICAL CHARACTERISTICS  
 TECHNISCHE ANGABEN  
 CARACTÉRISTIQUES TECHNIQUES  
 CARACTERÍSTICAS TÉCNICAS  
 CARACTERÍSTICAS TÉCNICAS

**PUSH IN**  
 Ø 20 - 25 - 32 - 40 - 50 - 63 mm



**Norma di Riferimento**

Reference standard  
 Entspricht der Norm  
 Norme de référence  
 Normativa de referencia  
 Norma de referência

1907/2006

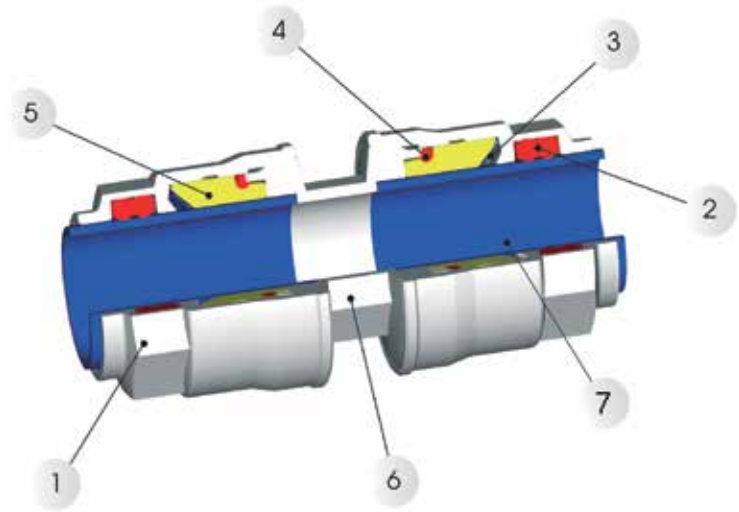


2011/65/CE



PED  
 2014/68/UE

SILICON  
 FREE



Materiali e Componenti	IT	Component Parts and Materials	GB	Komponenten und Materialien	DE
1 Dado in ottone nichelato (alluminio Ø 50-63)		1 Nut made in nickel-plated brass (aluminum Ø 50-63)		1 Mutter Messing vernickelt (Aluminium Ø 50-63)	
2 Guarnizione in NBR		2 Seal made in nbr		2 Formdichtung NBR	
3 Pinza d'aggraffaggio in INOX AISI 304		3 Clamping washer made in INOX AISI 304		3 Zahnscheibe Edelstahl AISI 304	
4 Guarnizione o-ring in NBR		4 O-ring seals made in NBR		4 O-Ring Dichtung NBR	
5 Anello di sicurezza in tecnopolimero		5 Safety ring made in technopolymeric		5 Sicherheitsring Technopolymer	
6 Corpo in ottone nichelato (alluminio Ø 50-63)		6 Body made in nickel-plated brass (aluminum Ø 50-63)		6 Körper Messing vernickelt (Aluminium Ø 50-63)	
7 Tubo in alluminio estruso verniciato calibrato		7 Extruded aluminium tube calibrated and powder coated		7 Rohr Aluminium extrudiert, kalibriert und lackiert	

Matériaux et Composants	FR	Materiales y Componentes	ES	Materiais e Componentes	PT
1 Ecrou: laiton nickelé (aluminium Ø 50-63)		1 Tuerca en latón niquelado (aluminio Ø 50-63)		1 Porca em Latão Niquelado (alumínio Ø 50-63)	
2 Joint de forme: NBR		2 Junta en NBR		2 Guarnições em NBR	
3 Rondelle d'accrochage: INOX AISI 304		3 Pinza de sujeción en INOX AISI 304		3 Pinças de travamento em INOX AISI 304	
4 Joint torique: NBR		4 Junta tórica en NBR		4 Guarnições O-RING em NBR	
5 Rondelle de sécurité: technopolymère		5 Anillo de seguridad en tecnopolímero		5 Anel de Segurança em Tecnopolímero	
6 Corps: laiton nickelé (aluminium Ø 50-63)		6 Cuerpo en latón niquelado (aluminio Ø 50-63)		6 Corpo em Latão Niquelado (alumínio Ø 50-63)	
7 Tube: aluminium extrudé, calibré et laqué		7 Tubo en aluminio extrusionado calibrado y pintado		7 Tubo em alumínio extrudado, calibrado e com pintura a pó	



**Pressioni**

Pressures  
 Druckbereich  
 Pressions  
 Presiones  
 Pressões

**- 0.99 bar** (-0.099 MPa)  
**16 bar** (1.6 MPa)



**Temperature**

Temperatures  
 Temperatur  
 Températures  
 Temperaturas  
 Temperaturas

**- 20 °C**  
**+ 80 °C**



**Fluidi compatibili**

Aria compressa / Vuoto / Gas inerti (AZOTO-ARGON)

**Fluids**

Compressed air / Vacuum / Inert gas (NITROGEN-ARGON)

**Geeignete Medien**

Druckluft / Vakuum / Inertgase (STICKSTOFF, ARGON)

**Fluides compatibles**

Air comprimé / Vide / Gaz neutres (AZOTE, ARGON)

**Fluidos compatibles**

Aire comprimido / Vacío / Gases Inertes (NITRÓGENO, ARGÓN)

**Fluidos compatíveis**

Ar comprimido / Vácuo / Gases inertes (NITROGÉNIO, ARGÓNIO)



Filettatura	IT	Threads	GB	Gewindearten	DE
Maschio gas conico ISO 7. Femmina gas cilindrica ISO 228.		Male threads taper in conformity with ISO 7. Female threads in conformity with ISO 228.		Aussengewinde konisch nach Norm ISO 7. Innengewinde zylindrisch nach Norm ISO 228.	

Filetages	FR	Roscas	ES	Roscas	PT
Filetage mâle conforme à la norme ISO 7. Filetage femelle conforme à la norme ISO 228.		Macho: Gas cónica ISO 7. Hembra: Gas cilíndrica ISO 228.		Machos gás cônico conforme ISO 7. Fêmeas gás paralela conforme ISO 228.	

Caratteristiche tecniche dei tubi Technical characteristics to the tubes Technische Angaben der Rohre Spécifications techniques des tubes Características técnicas del tubo Características técnicas dos tubos	
Alluminio estruso Extruded aluminium Aluminium extrudiert Aluminium extrudé Aluminio extrusionado Alumínio extrudado	UNI 9006/1 Al Mg 0.5 Si 0.4 Fe 0.2
Designazioni UNI EN 573-3 Designations UNI EN 573-3 Bezeichnung UNI EN 573-3 Designation UNI EN 573-3 Designación UNI EN 573-3 Designação UNI EN 573-3	EN AW 6060 T6

Caratteristiche tecniche dei tubi Technical characteristics to the tubes Technische Angaben der Rohre Spécifications techniques des tubes Características técnicas del tubo Características técnicas dos tubos	
Trattamento superficiale Surface treatment Spezifisches Gewicht Tratamiento superficial Tratamento superficial	Verniciatura elettrostatica Electrostatic painting Elektrostatische Lackierung Peinture électrostatique Pintura electrostática Pintura eletrostática
Peso specifico Specific weight Spezifisches Gewicht Poids spécifique Peso específico Peso específico	2.70 Kg/dm <sup>3</sup>

Caratteristiche tecniche dei tubi Technical characteristics to the tubes Technische Angaben der Rohre Spécifications techniques des tubes Características técnicas del tubo Características técnicas dos tubos	
Coefficiente di dilatazione Expansion coefficient Ausdehnungskoeffizient Coefficient de dilatation Coeficiente de dilatación Coeficiente de dilatação	0.024 mm/(m °C)



Montaggio Ø 20-25-32-40	IT	Assembling Ø 20-25-32-40	GB	Montageanleitung Ø 20-25-32-40	DE
<ol style="list-style-type: none"> <li>I raccordi Ø20 - Ø25 - Ø32 - Ø40 mm sono premontati con dado già serrato. I tubi di 4 e 6 mt sono già verniciati, calibrati e sbavati.</li> <li>Inserire il tubo nel raccordo sino in battuta per la connessione automatica.</li> <li>Nel caso si dovesse smontare un raccordo, utilizzare le coppie di serraggio riportate in tabella per il successivo montaggio.</li> </ol>		<ol style="list-style-type: none"> <li>Fittings of Ø20 - Ø25 - Ø32 - Ø40 are pre-assembled. Tubes of 4 &amp; 6 mt are pre-coated, calibrated and burred.</li> <li>Push tube into the fitting for automatic connection.</li> <li>In case of fitting disassembling, use the torques as in the chart to re-assemble the fitting.</li> </ol>		<ol style="list-style-type: none"> <li>Die Verschraubungen Ø20 - Ø25 - Ø32 - Ø40 sind mit der Mutter vormontiert. Die Rohre von 4 und 6 m sind lackiert, kalibriert und entgratet.</li> <li>Um das Rohr anzuschliessen, drücken Sie es bis zum Anschlag in den Anschluss. Fertig!</li> <li>Im Fall von demontierten Muttern benutzen Sie bitte folgende Drehmomente um den Anschluss wieder zusammenzusetzen.</li> </ol>	

Assemblage Ø 20-25-32-40	FR	Montaje Ø 20-25-32-40	ES	Montagem Ø 20-25-32-40	PT
<ol style="list-style-type: none"> <li>Les raccords de Ø20 - Ø25 - Ø32 - Ø40 mm sont livrés assemblés et prêts à l'emploi. Les tubes de 4 &amp; 6 m sont laqués, calibrés et chanfreinés.</li> <li>Pour connecter le tube, il suffit de l'enfoncer dans le raccord jusqu'à la butée.</li> <li>En cas de démontage/montage des écrous, veuillez utiliser les couples de serrage suivants pour ré-assembler les raccords.</li> </ol>		<ol style="list-style-type: none"> <li>Los racores de Ø20 - Ø25 - Ø32 - Ø40 vienen premontados con la tuerca totalmente apretada. Los tubos de 4 mts. vienen barnizados, calibrados y desbarbados.</li> <li>Introducir el tubo hasta el fondo del racor para la conexión automática.</li> <li>En caso de necesitar desmontar el racor, considerar los valores de esfuerzo de torsión que se especifican en la siguiente tabla para su posterior montaje.</li> </ol>		<ol style="list-style-type: none"> <li>As conexões Ø20 - Ø25 - Ø32 - Ø40 são pré-montadas com porca já fechada. Os tubos de 4 e 6 m são já pintados, calibrados e desbastados.</li> <li>Inserir o tubo até o final da conexão para executar a montagem e garantir a conexão automática.</li> <li>No caso de desmontagem da conexão, utilize os torques informados na tabela para efetuar a remontagem.</li> </ol>	

**1**

**2**

**3**

Ø mm	Coppia di serraggio - Torque specifications Angaben Drehmoment - Couple de serrage Par de apriete - Torque
20	3 Nm
25	3 Nm
32	4 Nm
40	6.5 Nm

Montaggio Ø 50 - 63	IT	Assembling Ø 50 - 63	GB	Montageanleitung Ø 50 - 63	DE
<ol style="list-style-type: none"> <li>I raccordi Ø50 - Ø63 sono premontati con dado allentato per facilitare l'inserimento del tubo. I tubi di 4 e 6 mt sono già verniciati, calibrati e sbavati.</li> <li>Inserire il tubo nel raccordo sino in battuta per la connessione e serrare il dado utilizzando la coppia di serraggio riportata in tabella.</li> </ol>		<ol style="list-style-type: none"> <li>Fittings of Ø50 - Ø63 are pre-assembled with nut untwisted to help tube connection. Tubes of 4 &amp; 6 mt are pre-coated, calibrated and burred.</li> <li>Push tube into the fitting for connection and tighten the nut using torques as in the chCod.</li> </ol>		<ol style="list-style-type: none"> <li>Die Verschraubungen Ø50 - Ø63 sind mit der Mutter nicht vormontiert, um das Einführen des Rohres in den Anschluss zu erleichtern. Die Rohre von 4 und 6 m sind lackiert, kalibriert und entgratet.</li> <li>Zum Verbinden schieben Sie das Rohr bis zum Anschlag in den Anschluss und ziehen die Mutter mit dem in der Tabelle angegebenen Drehmoment an.</li> </ol>	

Assemblage Ø 50 - 63	FR	Montaje Ø 50 - 63	ES	Montagem Ø 50 - 63	PT
<ol style="list-style-type: none"> <li>Afin de faciliter l'introduction du tube dans le raccord, les écrous de Ø50 mm et Ø63 mm sont pré-assemblés sans tension avec le raccord. Les tubes de 4 &amp; 6 m sont laqués, calibrés et chanfreinés.</li> <li>Enfoncer le tube dans le raccord jusqu'à la butée puis serrer l'écrou au couple mentionné dans le tableau suivant, pour le connecter.</li> </ol>		<ol style="list-style-type: none"> <li>Los racores Ø50 - Ø63 vienen premontados con la tuerca sobre el racor aunque sin apretar para facilitar la inserción del tubo. Los tubos de 4 mts. vienen barnizados, calibrados y desbarbados</li> <li>Introducir el tubo hasta el fondo del racor para la conexión y apretar la tuerca utilizando los valores de esfuerzo de torsión que se especifican en la siguiente tabla.</li> </ol>		<ol style="list-style-type: none"> <li>As conexões Ø50 - Ø63 são pré-montadas com porca solta para facilitar a inserção do tubo. Os tubos de 4 e 6 m são já pintados, calibrados e desbastados.</li> <li>Inserir o tubo até o final da conexão para efetuar a montagem e apertar a porca utilizando os torques informados na tabela.</li> </ol>	

**1**

**2**

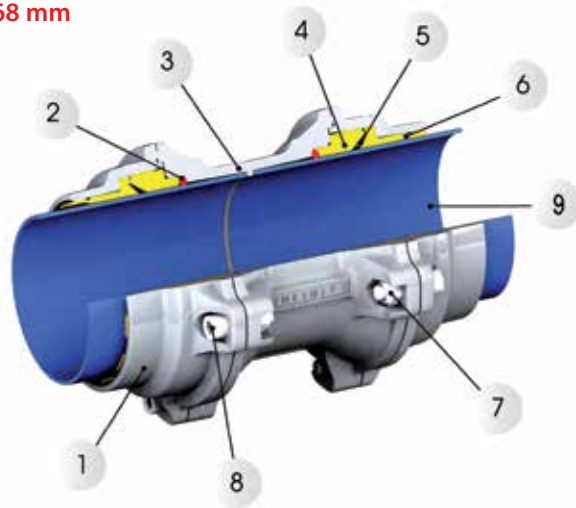
Ø mm	Coppia di serraggio - Torque specifications Angaben Drehmoment - Couple de serrage Par de apriete - Torque
50	45 Nm
63	85 Nm



**CARATTERISTICHE TECNICHE**

TECHNICAL CHARACTERISTICS  
TECHNISCHE ANGABEN  
CARACTÉRISTIQUES TECHNIQUES  
CARACTERÍSTICAS TÉCNICAS  
CARACTERÍSTICAS TÉCNICAS

Ø 80 - 110 - 168 mm



**Norma di Riferimento**

Reference standard  
Entspricht der Norm  
Norme de référence  
Normativa de referencia  
Norma de referência

1907/2006 <b>REACH</b>	2011/65/CE <b>RoHS</b>
PED 2014/68/UE	SILICON FREE

Materiali e Componenti	IT	Component Parts and Materials	GB	Komponenten und Materialien	DE
1 Dado in alluminio trattato superficialmente		1 Nut made in aluminium with finished surface treatment		1 Mutter Aluminium Oberflächenbehandelt	
2 Guarnizione O-RING in NBR		2 O-RING Seal made in NBR		2 O-Ring Dichtung NBR	
3 Corpo in alluminio trattato superficialmente		3 Body made in aluminium with finished surface treatment		3 Körper Aluminium Oberflächenbehandelt	
4 Anello di sicurezza in tecnopolimero		4 Safety Ring made in Technopolymeric		4 Sicherheitsring Technopolymer	
5 Pinza d'aggraffaggio in INOX AISI 301		5 Clamping Washer made in AISI 301		5 Zahnscheibe Edelstahl AISI 301	
6 Anello guida-tubo in tecnopolimero		6 Tube-guide Ring made in technopolymeric		6 Rohrführungsring Technopolymer	
7 Dado autobloccante in acciaio zincato		7 Selflocking Nut in Zinc-Plated Steel		7 Selbstsichernde Mutter Stahl verzinkt	
8 Vite TCEI in acciaio zincato		8 TCEI Screw in Zinc-Plated Steel		8 Schraube TCEI Stahl verzinkt	
9 Tubo in alluminio estruso verniciato calibrato		9 Extruded Aluminium tube calibrated and powder coated		9 Rohr Aluminium extrudiert, kalibriert und lackiert	

Matériaux et Composants	FR	Materiales y Componentes	ES	Materiais e Componentes	PT
1 Ecou: aluminium traité		1 Tuerca en aluminio tratado superficialmente		1 Porca em alumínio com tratamento superficial	
2 Joint torique: NBR		2 Junta tórica en NBR		2 Guarnição O-RING em NBR	
3 Corps: aluminium traité		3 Cuerpo en aluminio tratado superficialmente		3 Corpo em alumínio com tratamento superficial	
4 Rondelle de sécurité: technopolymère		4 Anillo de seguridad en tecnopolímero		4 Anel de segurança em Tecnopolímero	
5 Pince d'accrochage: INOX AISI 301		5 Pinza de sujeción en INOX AISI 301		5 Pinças de travamento em INOX AISI 301	
6 Guidage pour tube: technopolymère		6 Anillo guía-tubo en tecnopolímero		6 Anel guia-tubo em Tecnopolímero	
7 Ecou autobloquant: acier zingué		7 Tuerca autobloquante en acero zincado		7 Porta auto-travante em aço zincado	
8 Vis TCEI: acier zingué		8 Tornillo TCEI en acero zincado		8 Parafusos TCEI em aço zincado	
9 Tube: aluminium extrudé, calibré et laqué		9 Tubo en aluminio extrusionado calibrado y pintado		9 Tubo em alumínio extrudado, calibrado e com pintura a pó	



**Pressioni**

Pressures  
Druckbereich  
Pressions  
Presiones  
Pressões

**- 0.99 bar** (-0.099 MPa)  
**16 bar** (1.6 MPa)



**Temperature**

Temperatures  
Temperatur  
Températures  
Temperaturas  
Temperaturas

**- 20 °C**  
**+ 80 °C**



**Fluidi compatibili**

Aria compressa / Vuoto / Gas inerti (AZOTO-ARGON)

**Fluids**

Compressed air / Vacuum / Inert gas (NITROGEN-ARGON)

**Geeignete Medien**

Druckluft / Vakuum / Inertgase (STICKSTOFF, ARGON)

**Fluides compatibles**

Air comprimé / Vide / Gaz neutres (AZOTE, ARGON)

**Fluidos compatibles**

Aire comprimido / Vacío / Gases Inertes (NITRÓGENO, ARGÓN)

**Fluidos compatíveis**

Ar comprimido / Vácuo / Gases inertes (NITROGÉNIO, ARGÓNIO)



Filettatura	IT	Threads	GB	Gewindearten	DE
Raccordo flangiato (UNI EN 1092 - 4 PN 16) (ANSI 150-LB). Femmine gas cilindrica ISO 228.		Flanged Tube (UNI EN 1092 - 4 PN 16) (ANSI 150-LB). Female threads in conformity with ISO 228.		Kupplungsflansch (UNI EN 1092 - 4 PN 16) (ANSI 150-LB). Innengewinde zylindrisch nach Norm ISO 228.	

Filetages	FR	Roscas	ES	Roscas	PT
Raccord flasque (UNI EN 1092 - 4 PN 16) (ANSI 150-LB). Filetage femelle conforme à la norme ISO 228.		Racor con brida (UNI EN 1092 - 4 PN 16) (ANSI 150-LB). Hembra gas cilindrica ISO 228.		Conexão flangeada (UNI EN 1092 - 4 PN 16) (ANSI 150-LB). Fêmea gás paralela ISO 228.	



Caratteristiche tecniche dei tubi Technical characteristics to the tubes Technische Angaben der Rohre Spécifications techniques des tubes Características técnicas del tubo Características técnicas dos tubos	
<b>Alluminio estruso</b> Extruded aluminium Aluminium extrudiert Aluminium extrudé Alumínio extrusionado Alumínio extrudado	UNI 9006/1 Al Mg 0.5 Si 0.4 Fe 0.2
<b>Designazioni UNI EN 573-3</b> Designations UNI EN 573-3 Bezeichnung UNI EN 573-3 Désignation UNI EN 573-3 Designación UNI EN 573-3 Designação UNI EN 573-3	EN AW 6060 T6

Caratteristiche tecniche dei tubi Technical characteristics to the tubes Technische Angaben der Rohre Spécifications techniques des tubes Características técnicas del tubo Características técnicas dos tubos	
<b>Trattamento superficiale</b> Surface treatment Spezifisches Gewicht Spezifisches Gewicht Traitement de surface Tratamiento superficial Tratamento superficial	<b>Verniciatura elettrostatica</b> Electrostatic painting Elektrostatisc Lackierung Peinture électrostatique Pintura electrostática Pintura eletrostática
<b>Peso specifico</b> Specific weight Spezifisches Gewicht Spezifisches Gewicht Poids spécifique Peso específico Peso específico	2.70 Kg/dm <sup>3</sup>

Caratteristiche tecniche dei tubi Technical characteristics to the tubes Technische Angaben der Rohre Spécifications techniques des tubes Características técnicas del tubo Características técnicas dos tubos	
<b>Coefficiente di dilatazione</b> Expansion coefficient Ausdehnungskoeffizient Coefficient de dilatation Coeficiente de dilatación Coeficiente de dilatação	0.024 mm/(m °C)



Montaggio Ø 80 - 110 - 168	IT	Assembling Ø 80 - 110 - 168	GB	Montageanleitung Ø 80 - 110 - 168	DE
<ol style="list-style-type: none"> <li>I raccordi Ø 80-110-168 sono premontati con 4-6 viti allentate per facilitare l'inserimento del tubo. I tubi di 4 e 6 mt sono già verniciati, calibrati e sbavati.</li> <li>Inserire il tubo nel raccordo sino in battuta per la connessione automatica e stringere le quattro viti nella sequenza suggerita. Coppia di serraggio 30Nm - 60Nm.</li> </ol>		<ol style="list-style-type: none"> <li>Fittings of Ø 80-110-168 are pre-assembled with 4-6 screws untwisted to help tube connection. Tubes of 4 &amp; 6 mt are pre-coated, calibrated and burred.</li> <li>Push tube into the fitting for automatic connection and screw up in the suggested sequence. Tightening torque 30Nm - 60Nm.</li> </ol>		<ol style="list-style-type: none"> <li>Die Verschraubungen Ø 80-110-168 sind mit 4-6 nicht angezogenen Schrauben vormontiert, um das Einsetzen des Rohres zu erleichtern. Die Rohre von 4 und 6 m sind lackiert, kalibriert und entgratet.</li> <li>Zum Verbinden schieben Sie das Rohr bis zum Anschlag in den Anschluss und ziehen die vier Schrauben mit einem Drehmoment von 30Nm - 60Nm gemäss der Abbildung an.</li> </ol>	
Assemblage Ø 80 - 110 - 168	FR	Montaje Ø 80 - 110 - 168	ES	Montagem Ø 80 - 110 - 168	PT
<ol style="list-style-type: none"> <li>Afin de faciliter l'introduction du tube dans le raccord, les flasques de Ø 80-110-168 mm sont pré-assemblés sans tension avec le raccord. Les tubes de 4 &amp; 6 m sont laqués, calibrés et chanfreinés.</li> <li>Enfoncer le tube dans le raccord jusqu'à la butée puis serrer les vis à un couple de 30Nm - 60Nm selon le schéma ci-dessous pour le connecter.</li> </ol>		<ol style="list-style-type: none"> <li>Los racores de Ø 80-110-168 vienen premontados con 4-6 tornillos para facilitar la inserción del tubo. Los tubos de 4 mts. vienen barnizados, calibrados y desbarbados.</li> <li>Introducir el tubo hasta el fondo del racor para la conexión y apretar los cuatro tornillos en el orden sugerido. Esfuerzo de torsión 30Nm - 60Nm.</li> </ol>		<ol style="list-style-type: none"> <li>As conexões Ø 80-110-168 são pré-montadas com 4-6 parafusos soltos para facilitar a inserção do tubo. Os tubos de 4 e 6 mt são já pintados, calibrados e desbastados.</li> <li>Inserir o tubo até o final da conexão para efetuar a montagem e apertar os quatro parafusos na sequência sugerida. Torque de aperto 30Nm - 60Nm.</li> </ol>	

**1**

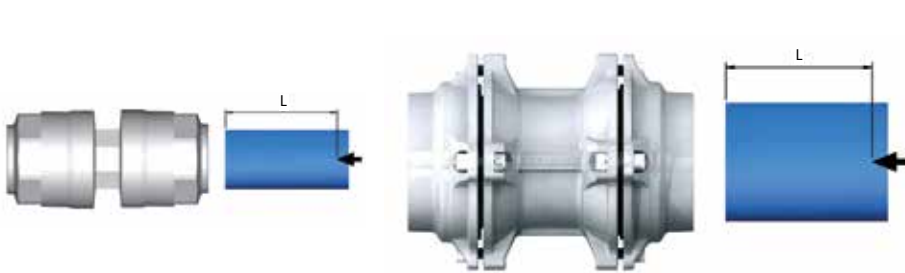
**2**

Ø mm	Coppia di serraggio - Torque specifications Angaben Drehmoment - Couple de serrage Par de apriete - Torque
<b>80</b>	30 Nm
<b>110</b>	30 Nm
<b>168</b>	60 Nm



<p><b>Inserimento tubo</b> <b>IT</b></p> <p>La corretta connessione del tubo è confermata dalla posizione della freccia pre marcata. In caso esistesse la necessità di tagliare il tubo, si consiglia di segnare la lunghezza del tubo che va inserita nel raccordo.</p>	<p><b>Tube Connection</b> <b>GB</b></p> <p>The correct connection of tube is confirmed by the position of the arrow pre-stamp. If you need to cut the tube, mark the distance of tube to insert in the fitting.</p>	<p><b>Einstecktiefe des Rohres</b> <b>DE</b></p> <p>Die korrekte Einstecktiefe des Rohres in den Anschluss wird durch den vormarkierten Pfeil angegeben. Wenn das Rohr geschnitten werden muss, wird empfohlen, mit den folgenden Werten eine Markierung auf dem Rohr anzubringen.</p>
--	---	--

<p><b>Profondeur d'emmanchement du tube</b> <b>FR</b></p> <p>La connexion correcte du raccord est confirmée par le repère de connexion (flèche) pré-tamponné sur le tube. En cas de coupe du tube, il est recommandé de reporter le repère de connexion sur le tube à l'aide du gabarit ou d'un marqueur et d'un mètre en utilisant les valeurs suivantes.</p>	<p><b>Conexión del tubo</b> <b>ES</b></p> <p>La correcta conexión del tubo está confirmada por la posición de la flecha pre-marcada. En el caso de existir la necesidad de cortar el tubo, desbarbar el extremo del tubo y marcar la longitud del tubo que va a insertar en el racor según la tabla adjunta.</p>	<p><b>Inserção do tubo</b> <b>PT</b></p> <p>O engate correto da conexão com o tubo é confirmada pela posição da seta que está impressa em todos os tubos. Em caso de necessidade de se cortar o tubo, marque no tubo as distâncias mostradas na tabela abaixo (de acordo com o diâmetro). Elas garantem a perfeita montagem entre a conexão e o tubo e evitando vazamentos.</p>
--	--	---



Ø mm	L mm
20	31.5
25	38.5
32	46
40	52
50	63.5
63	57.5
80	91
110	125.5
168	193



<p><b>Tubo di calata</b> <b>IT</b></p> <p>Sono previste calate:          Ø 20 con portata fino a 2000 NI/min          Ø 25 con portata fino a 3500 NI/min          Ø 32 con portata fino a 7000 NI/min</p>	<p><b>Tube diameter for the outlets</b> <b>GB</b></p> <p>Specifications about available tube diameters for the outlets:          Ø 20 with flow rate till 2000 NI/min          Ø 25 with flow rate till 3500 NI/min          Ø 32 with flow rate till 7000 NI/min</p>	<p><b>Durchflussleistung</b> <b>DE</b></p> <p>Durchflussleistung für verschiedene Durchmesser:          Ø 20 mit einer Kapazität bis zu 2000 NI/min          Ø 25 mit einer Kapazität bis zu 3500 NI/min          Ø 32 mit einer Kapazität bis zu 7000 NI/min</p>
--	---	---

<p><b>Performance de débit</b> <b>FR</b></p> <p>Performance de débit pour les différents diamètres:          Ø 20 avec une capacité jusqu'à 2000 NI/min          Ø 25 avec une capacité jusqu'à 3500 NI/min          Ø 32 avec une capacité jusqu'à 7000 NI/min</p>	<p><b>Tuberías secundarias (bajantes)</b> <b>ES</b></p> <p>Para elegir el Ø del bajante considerar:          2000 NI/min para Ø 20          3500 NI/min para Ø 25          7000 NI/min para Ø 32</p>	<p><b>Diâmetro dos tubos para as saídas</b> <b>PT</b></p> <p>São previstas saídas para diâmetros:          Ø 20 com vazões até 2000 NI/min          Ø 25 com vazões até 3500 NI/min          Ø 32 com vazões até 7000 NI/min</p>
---	--	--



<p><b>Dimensionamento della rete</b> <b>IT</b></p> <p>La tabella permette di determinare il diametro della linea principale.</p> <ol style="list-style-type: none"> <li>1 Trovare la portata del compressore nella colonna rossa.</li> <li>2 Trovare la distanza fra compressore e utilizzo piu' lontano nella riga 1°.</li> <li>3 Trovare il diametro incrociando la riga della portata con la colonna della distanza.</li> </ol>	<p><b>Chose the diameter four the installation</b> <b>GB</b></p> <p>The Diagram allows to determinate the diameter of the main line.</p> <ol style="list-style-type: none"> <li>1 Choose the Flow rate of compressor in the Red column.</li> <li>2 Choose the Distance between compressor and the most distant using point in the 1° column.</li> <li>3 Cross the lines of Flow rate and blue column of Distance to choose the diameter.</li> </ol>	<p><b>Dimensionierung des Netzes</b> <b>DE</b></p> <p>Die folgende Tabelle gibt die Möglichkeit den Durchmesser der Hauptleitung zu bestimmen.</p> <ol style="list-style-type: none"> <li>1 Wählen Sie die Durchflussmenge des Kompressors in der roten Spalte.</li> <li>2 Wählen sie die Distanz zwischen Kompressor und dem weitesten Punkt im Netz in der 1° Spalte.</li> <li>3 Der Durchmesser wird durch den Schnittpunkt der Spalte und der Zeile festgelegt.</li> </ol>
--	---	--

<p><b>Dimensionner son réseau</b> <b>FR</b></p> <p>Le diagramme permet de déterminer le diamètre de l'alimentation principale.</p> <ol style="list-style-type: none"> <li>1 Choisir le débit du compresseur dans la colonne rouge.</li> <li>2 Choisir la distance entre le compresseur et le point le plus éloigné dans la colonne 1°.</li> <li>3 Le diamètre conseillé est défini par l'intersection des deux valeurs.</li> </ol>	<p><b>Dimensión de la red</b> <b>ES</b></p> <p>La tabla siguiente permite determinar el diámetro de la línea principal.</p> <ol style="list-style-type: none"> <li>1 Localizar el caudal del compresor en la columna de la izquierda.</li> <li>2 Encontrar la distancia del compresor al punto más lejano de utilización en la columna 1°.</li> <li>3 Determinar el diámetro en la intersección de la columna del caudal con la columna de la distancia.</li> </ol>	<p><b>Dimensionamento da rede</b> <b>PT</b></p> <p>A tabela permite determinar o diâmetro da linha principal.</p> <ol style="list-style-type: none"> <li>1 Encontre a linha de vazão do compressor na coluna vermelha.</li> <li>2 Encontre a distância entre o compressor e o ponto de utilização mais distante nas colunas 1°.</li> <li>3 Encontre o diâmetro cruzando a linha da vazão do compressor com a coluna da distância.</li> </ol>
--	---	--

<b>Portata</b> Flow Rate Durchflusswert Débit de Référence Caudal Vazão			<b>Distanza fra compressore e utilizzo più lontano</b> Distance between compressor and the most distant using point Distanz zwischen Kompressor und dem weitesten Punkt Distance entre le compresseur et le point le plus éloigné Distancia del compresor al punto más lejano de utilización Distância entre o compressor e o ponto de utilização mais distante											
			25 m 82 ft	50 m 164 ft	100 m 328 ft	150 m 492 ft	200 m 656 ft	300 m 984 ft	400 m 1312 ft	500 m 1640 ft	1000 m 3280 ft	1500 m 4921 ft	2000 m 6562 ft	
NI/min	Nm <sup>3</sup> /h	cfm												
230	14	8	20	20	20	20	20	20	20	20	20	25	25	
650	39	23	20	20	20	20	25	25	25	25	25	32	32	40
900	54	32	20	20	25	25	25	25	32	32	32	40	40	40
1200	72	42	20	20	25	25	32	32	32	32	32	40	40	50
1750	105	62	20	25	32	32	32	32	40	40	40	50	50	50
2000	120	71	25	25	32	32	32	32	40	40	40	50	50	50
2500	150	88	25	32	32	32	32	40	40	40	50	50	63	63
3000	180	106	25	32	32	40	40	40	40	50	50	50	63	63
3500	210	124	25	32	40	40	40	40	50	50	50	63	63	63
4500	270	159	32	32	40	40	40	50	50	50	50	63	63	80
6000	360	212	32	40	50	50	50	50	50	63	63	80	80	80
7000	420	247	32	40	50	50	50	50	63	63	63	80	80	80
8500	510	300	40	40	50	50	50	63	63	63	63	80	80	110
12000	720	424	40	50	63	63	63	63	80	80	80	110	110	110
15000	900	530	50	50	63	63	63	80	80	80	80	110	110	110
18000	1080	636	50	63	63	80	80	80	80	80	110	110	110	168
21000	1260	742	50	63	63	80	80	80	80	110	110	110	168	168
26000	1560	918	63	63	80	80	80	80	110	110	110	168	168	168
31000	1860	1095	63	63	80	80	80	110	110	110	110	168	168	168
33000	1980	1165	63	80	80	110	110	110	110	110	110	168	168	168
44000	2640	1554	63	80	110	110	110	110	110	168	168	168	168	168
50000	3000	1766	80	80	110	110	110	110	168	168	168	168	168	168
58000	3480	2048	80	80	110	110	110	110	168	168	168	168	168	*168
67000	4020	2366	80	110	110	110	110	168	168	168	168	168	*168	*168
75000	4500	2648	80	110	110	110	168	168	168	168	168	168	*168	*168
83000	4980	2931	80	110	110	110	168	168	168	168	168	*168	*168	*168
92000	5520	3249	110	110	168	168	168	168	168	168	168	*168	*168	*168
100000	6000	3531	110	110	168	168	168	168	168	168	*168	*168	*168	*168

**Pressione 7 bar - Perdita di carico totale 4%**

Pressure 7 bar - Total pressure drop 4%

Druck 7 bar - Druckverlust 4%

Pression 7 bar - Perte de charge 4%

Valores referidos a una presión de 7 bar - Pérdida de carga máx. total 4%

Pressão 7 bar - Queda de pressão total 4%

**\* La perdita di carico è superiore al 4%**

Pressure drop is higher than 4%

Druckverlust von mehr als 4%

Perte de charge supérieure à 4%

La pérdida de carga es superior al 4%

A queda de pressão é superior aos 4%

Esempio	IT	Example	GB	Beispiel	DE
• Portata:	3000 NI/min	• Flow rate:	3000 NI/min	• Durchfluss:	3000 NI/min
• Distanza fra compressore e utilizzo più lontano:	300 m	• Distance between compressor and most distant using point:	300 m	• Distanz zwischen Kompressor und dem weitesten Punkt:	300 m
• Diametro tubo:	40 mm	• Tube diameter:	40 mm	• Rohr Durchmesser:	40 mm

Exemple	FR	Ejemplo	ES	Exemplo	PT
• Débit:	3000 NI/min	• Caudal:	3000 NI/min	• Vazão:	3000 NI/min
• Distance entre le compresseur et le point le plus éloigné:	300 m	• Distancia del compresor al punto más lejano de la instalación:	300 m	• Distância entre o compressor e o ponto de utilização mais distante:	300 m
• Diamètre du tube:	40 mm	• Se recomienda diámetro tubo:	40 mm	• Diâmetro do tubo:	40 mm



**Portate indicative dei compressori a 7 bar**

*Indicative flow rates of the compressors to 7 bar*

*Durchflussmengen der Kompressoren bei 7 bar*

*Indications des débits des compresseurs à 7 bar*

*Caudal indicativo de compresores a 7 bar*

*Vazões inidcativas dos compressores a 7 bar*



KW	CV	NI/min
1.5	2	230
3	4	460
4	6	650
5.5	7.5	900
7.5	10	1200
11	15	1750
12.5	17	2000
15	20	2500
18	25	3000
22	30	3500
29	40	4500
37	50	6000
45	60	7000
55	75	8500
74	100	12000
92	125	15000
110	150	18000
132	180	21000
170	230	26000
200	270	31000
250	340	44000

**Distanza fra compressore e utilizzo più lontano**

*Distance between compressor and the most distant using point*

*Distanz zwischen Kompressor und dem weitesten Punkt*

*Distance entre le compresseur et le point le plus éloigné.*

*Distancia del compresor al punto más lejano de utilización.*

*Distância entre o compressor e o ponto de utilização mais distante.*

**LINEA CHIUSA AD ANELLO**

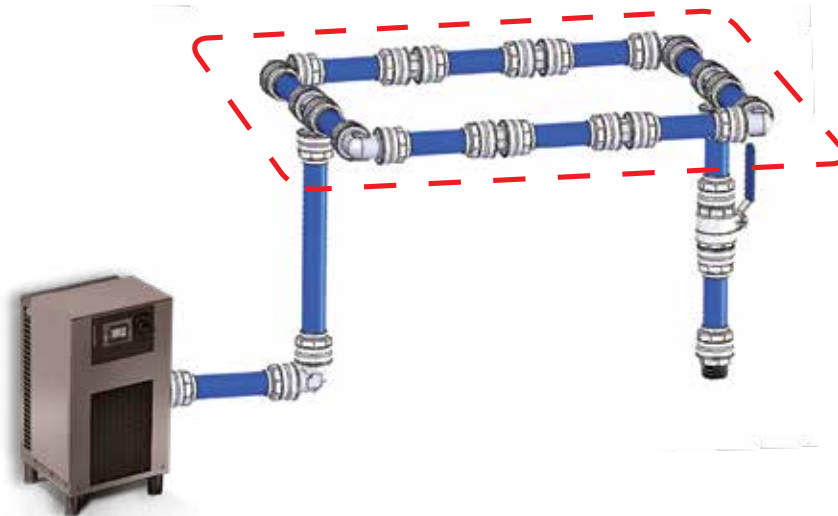
*LOOP SYSTEM*

*KREISLAUF SYSTEM*

*RÉSEAU BOUCLÉ*

*ANILLO CERRADO*

*LINHA EM ANEL FECHADO*



**LINEA CIECA**

*LINEAR SYSTEM*

*LINEARES SYSTEM*

*RÉSEAU NON BOUCLÉ*

*SISTEMA LINEAL*

*LINHA ABERTA*

**La linea cieca è consigliata solo per consumi inferiori ai 1200 NI/m.**

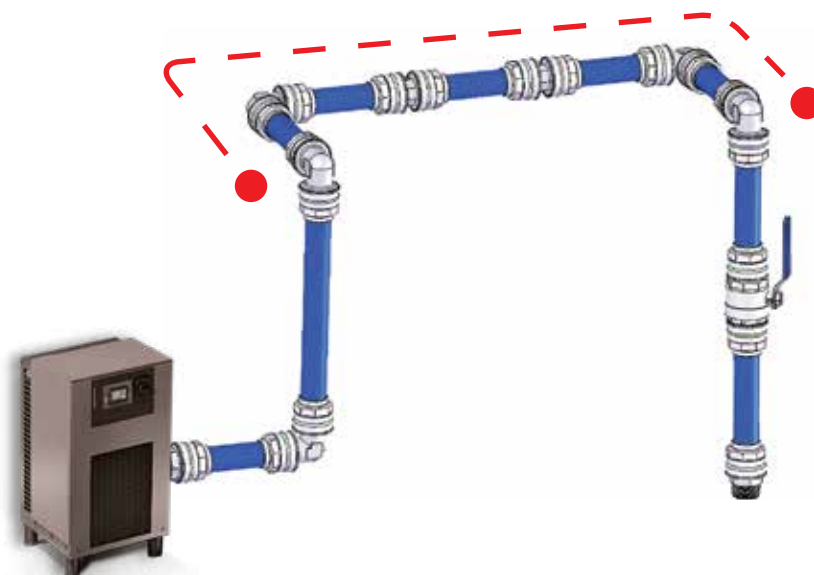
*Line Blind is only recommended for consumption below the 1200 NI/m.*

*Lineare Systeme werden nur für den Einsatz unterhalb von 1200 NI/m empfohlen.*

*Cette typologie de réseau n'est recommandée que pour des consommations en dessous de 1200 NI/min.*

*Sistema lineal solamente para el consumo menores de 1200 NI/m.*

*A linha aberta é aconselhável apenas para consumo inferior a 1200 NI/m.*





**Dilatazioni e contrazioni termiche**

**Expansion and shrinkage due to the heat**

**Thermische Ausdehnung + Kontraktion**

Per calcolare la dilatazione - contrazione lineare utilizziamo la seguente formula:

$$\Delta L = \Delta T \times L \times a \text{ dove:}$$

- $\Delta L$  = Dilatazione - contrazione lineare in mm
- $\Delta T$  = Variazione di temperatura tra quella di esercizio e quella di posa in °C
- $L$  = Lunghezza tubo in m
- $a$  = Coefficiente di dilatazione termica lineare che per l'alluminio è 0.024 mm/m °C

L'impianto deve essere posto in modo che all'estremità si preveda uno spazio che ne consenta la dilatazione - contrazione, ed i supporti devono essere posizionati come in figura:

To calculate the linear expansion - shrinkage we can use the following formula:

$$\Delta L = \Delta T \times L \times a \text{ i.e.:$$

- $\Delta L$  = Linear expansion - shrinkage in mm
- $\Delta T$  = Heat variation between the operating temperature and the installation one at °C
- $L$  = Tube length in m
- $a$  = Linear expansion factor, for the aluminium it is 0.024 mm/m °C

The installation have to be positioned, considering at the two ends free space which permits the expansion - shrinkage and supports have to be fixed as showed in the picture:

Zur Berechnung der linearen Ausdehnung / Kontraktion kann folgende Formel verwendet werden:

$$\Delta L = \Delta T \times L \times a \text{ wobei:}$$

- $\Delta L$  = Lineare Ausdehnung / Kontraktion in mm
- $\Delta T$  = Temperaturunterschied zwischen der Betriebs- und Umgebungstemperatur in °C
- $L$  = Rohrlänge in m
- $a$  = Linearer Ausdehnungskoeffizient; für Aluminium ist er 0.024 mm/m °C

Die Installation muss so positioniert werden, dass an beiden Enden ein Freiraum berücksichtigt wird, welcher die Ausdehnung / Kontraktion erlaubt und die Halterungen müssen wie auf dem Bild gezeigt befestigt werden:

**Dilatation + contraction**

**Las dilataciones y contracciones termicas**

**Dilatações e contrações térmicas**

Pour calculer la dilatation linéaire, la formule suivante peut être utilisée:

$$\Delta L = \Delta T \times L \times a \text{ i.e.:$$

- $\Delta L$  = Dilatation linéaire en mm
- $\Delta T$  = Delta de température (installation/utilisation) en °C
- $L$  = Longueur de l'installation en m
- $a$  = Coefficient de dilatation linéaire de l'aluminium = 0.024 mm/m °C

Les extrémités de l'installation doivent être libre afin de permettre une dilatation des tubes.

Les points de fixation des tubes doivent être disposés selo le dessin suivant:

El calculo de Las dilataciones y contracciones termicas se basa segun la formula:

$$\Delta L = \Delta T \times L \times a \text{ i.e.:$$

- $\Delta L$  = Dilatacion Lineal - contracción mm
- $\Delta T$  = Variación térmica entre temperatura de trabajo y instalacion °C
- $L$  = Longitud del tubo m
- $a$  = Factor dilatacion lineal de aluminio 0.024 mm/m °C

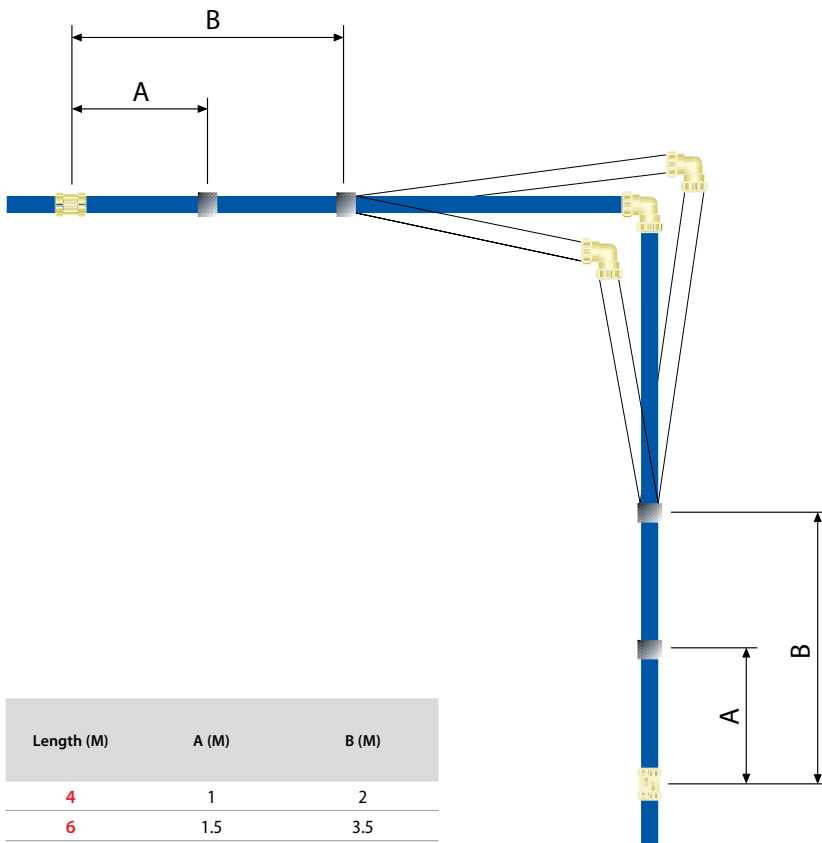
Considerando que ambos extremos están libre y permiten dilatacion y contraccion, la instalacion debe ser realizada como en la imagen:

Para calcular a dilatação - contração linear utilizamos a seguinte fórmula:

$$\Delta L = \Delta T \times L \times a \text{ onde:}$$

- $\Delta L$  = Dilatação - contração linear em mm
- $\Delta T$  = Variação de temperatura entre a temperatura de trabalho e a de instalação em °C
- $L$  = Comprimento do tubo em m
- $a$  = Coeficiente de dilatação térmica linear que para o alumínio é 0.024 mm/m °C

A instalação deve ser feita de modo que nas extremidades se considere um espaço de permita a dilatação-contração, e os suportes devem ser posicionados como mostra a figura:



## TUBI IN ALLUMINIO CALIBRATI - 4 METRI

CALIBRATED ALUMINIUM TUBES COLOUR - 4 METERS  
 ALUMINIUM ROHR KALIBRIERT - 4 METER  
 TUBE ALUMINIUM CALIBRE - 4 MÈTRES  
 TUBO EN ALUMINIO CALIBRADO - 4 METROS  
 TUBOS EM ALUMÍNIO CALIBRADOS - 4 METROS

COLORI  
 COLORS  
 FARBEN  
 COULEURS  
 COLORES  
 CORES


**BL**

**BLU**  
 BLUE  
 BLAU  
 BLEU  
 AZUL  
 AZUL


**GR**

**GRIGIO**  
 GREY  
 GRAU  
 GRIS  
 GRIS  
 CINZA

### 90000 - 4 m

#### TUBI IN ALLUMINIO CALIBRATI

CALIBRATED ALUMINIUM TUBES BLUE COLOUR  
 ALUMINIUM ROHR KALIBRIERT  
 TUBE ALUMINIUM CALIBRE  
 TUBO EN ALUMINIO CALIBRADO  
 TUBOS EM ALUMÍNIO CALIBRADOS



Code	Ø	Colore Color Farbe Couleur Color Cor	Spessore Thickness Dicke Epaisseur Espesor Espessura	Pressioni Pressures Druckbereich Pressions Presiones Pressões	Peso Weight Gewicht Poids Peso Peso	Lunghezza Lenght Länge Long Longitud Comprimento	Pack.
	mm		mm	bar	g/m	m	
90000 00 11 Y9 B5	20	BL	1.5	16	235	4 m	8
90000 00 11 J4 B5	25	BL	1.5	16	298	4 m	8
90000 00 11 J9 B5	32	BL	1.5	16	387	4 m	9
90000 00 11 K4 B5	40	BL	1.5	16	490	4 m	9
90000 00 11 W0 B5	50	BL	2	16	814	4 m	4
90000 00 11 W3 B5	63	BL	2	16	1034	4 m	4
90000 00 11 TP B5	80	BL	2	16	1283	4 m	2
90000 00 11 HT B5	110	BL	2.5	16	2280	4 m	2

### 90000 - 4 m

#### TUBI IN ALLUMINIO CALIBRATI

CALIBRATED ALUMINIUM TUBES BLUE COLOUR  
 ALUMINIUM ROHR KALIBRIERT  
 TUBE ALUMINIUM CALIBRE  
 TUBO EN ALUMINIO CALIBRADO  
 TUBOS EM ALUMÍNIO CALIBRADOS



Code	Ø	Colore Color Farbe Couleur Color Cor	Spessore Thickness Dicke Epaisseur Espesor Espessura	Pressioni Pressures Druckbereich Pressions Presiones Pressões	Peso Weight Gewicht Poids Peso Peso	Lunghezza Lenght Länge Long Longitud Comprimento	Pack.
	mm		mm	bar	g/m	m	
90000 00 11 Y9 GR	20	GR	1.5	16	235	4 m	8
90000 00 11 J4 GR	25	GR	1.5	16	298	4 m	8
90000 00 11 J9 GR	32	GR	1.5	16	387	4 m	9
90000 00 11 K4 GR	40	GR	1.5	16	490	4 m	9
90000 00 11 W0 GR	50	GR	2	16	814	4 m	4
90000 00 11 W3 GR	63	GR	2	16	1034	4 m	4
90000 00 11 TP GR	80	GR	2	16	1283	4 m	2
90000 00 11 HT GR	110	GR	2.5	16	2280	4 m	2

**TUBI IN ALLUMINIO CALIBRATI - 6 METRI**

CALIBRATED ALUMINIUM TUBES COLOUR - 6 METERS  
 ALUMINIUM ROHR KALIBRIERT - 6 METER  
 TUBE ALUMINIUM CALIBRE - 6 MÈTRES  
 TUBO EN ALUMINIO CALIBRADO - 6 METROS  
 TUBOS EM ALUMÍNIO CALIBRADOS - 6 METROS

COLORI  
 COLORS  
 FARBEN  
 COULEURS  
 COLORES  
 CORES


**BL**

**BLU**  
 BLUE  
 BLAU  
 BLEU  
 AZUL  
 AZUL


**GR**

**GRIGIO**  
 GREY  
 GRAU  
 GRIS  
 GRIS  
 CINZA


**VE**

**VERDE**  
 GREEN  
 GRÜN  
 VERT  
 VERDE  
 VERDE

**90000 - 6 m**
**TUBI IN ALLUMINIO CALIBRATI**

CALIBRATED ALUMINIUM TUBES BLUE COLOUR  
 ALUMINIUM ROHR KALIBRIERT  
 TUBE ALUMINIUM CALIBRE  
 TUBO EN ALUMINIO CALIBRADO  
 TUBOS EM ALUMÍNIO CALIBRADOS



Code	Ø	Colore Color Farbe Couleur Color Cor	Spessore Thickness Dicke Epaisseur Espesor Espessura	Pressioni Pressures Druckbereich Pressions Presiones Pressões	Peso Weight Gewicht Poids Peso Peso	Lunghezza Lenght Länge Long Longitud Comprimento	Pack.
	mm		mm	bar	g/m	m	
90000 6 020 BL	20	BL	1.5	16	235	5.95 m	8
90000 6 025 BL	25	BL	1.5	16	298	5.95 m	8
90000 6 032 BL	32	BL	1.5	16	387	5.95 m	9
90000 6 040 BL	40	BL	1.5	16	490	5.95 m	4
90000 6 050 BL	50	BL	2	16	814	5.95 m	4
90000 6 063 BL	63	BL	2	16	1034	5.95 m	2
90000 6 080 BL	80	BL	2	16	1283	5.95 m	2
90000 6 110 BL	110	BL	2.5	16	2280	5.95 m	1
90000 6 168 BL	168	BL	4	16	5700	5.95 m	1

**90000 - 6 m**
**TUBI IN ALLUMINIO CALIBRATI**

CALIBRATED ALUMINIUM TUBES BLUE COLOUR  
 ALUMINIUM ROHR KALIBRIERT  
 TUBE ALUMINIUM CALIBRE  
 TUBO EN ALUMINIO CALIBRADO  
 TUBOS EM ALUMÍNIO CALIBRADOS



Code	Ø	Colore Color Farbe Couleur Color Cor	Spessore Thickness Dicke Epaisseur Espesor Espessura	Pressioni Pressures Druckbereich Pressions Presiones Pressões	Peso Weight Gewicht Poids Peso Peso	Lunghezza Lenght Länge Long Longitud Comprimento	Pack.
	mm		mm	bar	g/m	m	
90000 6 020 GR	20	GR	1.5	16	235	5.95 m	8
90000 6 025 GR	25	GR	1.5	16	298	5.95 m	8
90000 6 032 GR	32	GR	1.5	16	387	5.95 m	9
90000 6 040 GR	40	GR	1.5	16	490	5.95 m	4
90000 6 050 GR	50	GR	2	16	814	5.95 m	4
90000 6 063 GR	63	GR	2	16	1034	5.95 m	2
90000 6 080 GR	80	GR	2	16	1283	5.95 m	2
90000 6 110 GR	110	GR	2.5	16	2280	5.95 m	1
90000 6 168 GR	168	GR	4	16	5700	5.95 m	1

## 90000 - 6 m

### TUBI IN ALLUMINIO CALIBRATI

CALIBRATED ALUMINIUM TUBES BLUE COLOUR

ALUMINIUM ROHR KALIBRIERT

TUBE ALUMINIUM CALIBRE

TUBO EN ALUMINIO CALIBRADO

TUBOS EM ALUMÍNIO CALIBRADOS



Code	Ø	Colore Color Farbe Couleur Color Cor	Spessore Thickness Dicke Epaisseur Espesor Espessura	Pressioni Pressures Druckbereich Pressions Presiones Pressões	Peso Weight Gewicht Poids Peso Peso	Lunghezza Lenght Länge Long Longitud Comprimento	Pack.
	mm		mm	bar	g/m	m	
90000 6 020 VE	20	VE	1.5	16	235	5.95 m	8
90000 6 025 VE	25	VE	1.5	16	298	5.95 m	8
90000 6 032 VE	32	VE	1.5	16	387	5.95 m	9
90000 6 040 VE	40	VE	1.5	16	490	5.95 m	4
90000 6 050 VE	50	VE	2	16	814	5.95 m	4
90000 6 063 VE	63	VE	2	16	1034	5.95 m	2
90000 6 080 VE	80	VE	2	16	1283	5.95 m	2
90000 6 110 VE	110	VE	2.5	16	2280	5.95 m	1



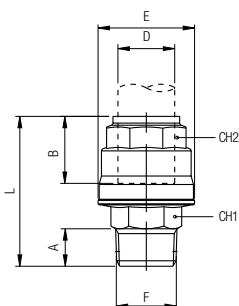
## RACCORDI AUTOMATICI PER IMPIANTI DI DISTRIBUZIONE DELL'ARIA

PUSH-IN FITTINGS FOR INSTALLATION OF COMPRESSED-AIR PIPELINES  
 STECKVERSCHRAUBUNGEN FÜR DIE INSTALLATION VON DRUCKLUFT-VERTEILSYSTEMEN  
 RACCORDS INSTANTANÉS POUR RÉSEAUX PRIMAIRES  
 RACORDAJES AUTOMÁTICO PARA INSTALACIÓN REDES DE AIRE COMPRIMIDO  
 CONEXÕES AUTOMÁTICAS PARA A INSTALAÇÃO DE REDES DE AR COMPRIMIDO

### 90010

#### RACCORDO DIRITTO MASCHIO

STRAIGHT MALE ADAPTOR  
 GERADE EINSCHRAUBVERSCHRAUBUNG  
 RACCORD DROIT MÂLE  
 RACOR RECTO MACHO  
 CONEXÃO RETA COM ROSCA MACHO



Code	D	F	A	B	E	L	CH1	CH2	Pack.
90010 00 001	20	1/2	14	31.5	34.5	56	22	30	5
90010 00 009	20	3/4	16.5	31.5	34.5	61	22	30	5
90010 00 011	25	1/2	14	38.5	42.5	65	27	35	5
90010 00 002	25	3/4	16.5	38.5	42.5	66	27	35	5
90010 00 010	25	1"	19	38.5	42.5	70.5	27	35	5
90010 00 003	32	1"	19	46	52	76.5	34	45	2
90010 00 013	40	1"	19	52	63	86.5	45	55	2
90010 00 004	40	1"1/4	21.5	52	63	89.5	45	55	2
90010 00 007	40	1"1/2	21.5	52	63	92	50	55	2
*90010 00 014	50	1"	19	63.5	73	102.5	60	65	2
Alluminio - Aluminium - Aluminium - Aluminium - Aluminium - Alumínio									
90010 00 014 A	50	1"	19	58.5	84	110.5	50	68	2
90010 00 005 A	50	1"1/2	21.5	58.5	84	112.5	50	68	2
90010 00 012 A	50	2"	24	58.5	84	115.5	50	68	2
90010 00 006 A	63	2"	24	57.5	94	109.5	65	75	2
90010 00 008 A	63	2"1/2	24	57.5	94	106.5	75	75	2

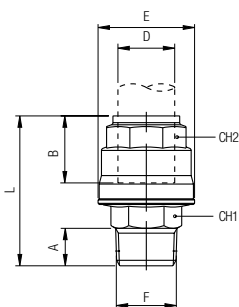
\*Fino ad esaurimento scorta  
 \*Until the end stock  
 \*Nur solange vorrat  
 \*Livvable jusqu'à épuisement du stock  
 \*Hasta fin de stock  
 \*Ate fim do stock

### 90011

**NPTF**

#### RACCORDO DIRITTO MASCHIO

STRAIGHT MALE ADAPTOR  
 GERADE EINSCHRAUBVERSCHRAUBUNG  
 RACCORD DROIT MÂLE  
 RACOR RECTO MACHO  
 CONEXÃO RETA COM ROSCA MACHO



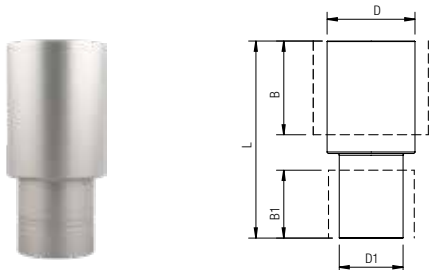
Code	D	F (NPTF)	A	B	E	L	CH1	CH2	Pack.
90011 00 001	20	1/2	14	31.5	34.5	56	22	30	5
90011 00 009	20	3/4	17.5	31.5	34.5	62.5	22	30	5
90011 00 002	25	3/4	16.5	38.5	42.5	66	27	35	5
90011 00 010	25	1"	21.5	42.5	42.5	72	27	35	2
90011 00 003	32	1"	19	46	52	76.5	34	45	2
90011 00 004	40	1"1/2	21.5	52	63	89.5	45	55	2
*90011 00 005	50	1"1/2	21.5	63.5	73	105	50	65	2
*90011 00 012	50	2"	24	63.5	105	111	60	65	2
Alluminio - Aluminium - Aluminium - Aluminium - Aluminium - Alumínio									
90011 00 005 A	50	1"1/2	22.5	58.5	84	115	50	68	2
90011 00 012 A	50	2"	23.5	58.5	84	116	50	68	2
90011 00 006 A	63	2"	23.5	57.5	94	109.5	65	75	2
90011 00 008 A	63	2"1/2	35	57.5	94	120.5	75	75	2

\*Fino ad esaurimento scorta  
 \*Until the end stock  
 \*Nur solange vorrat  
 \*Livvable jusqu'à épuisement du stock  
 \*Hasta fin de stock  
 \*Ate fim do stock

## 90012

### RIDUZIONE TUBO-TUBO

TUBE-TUBE REDUCER  
REDUKTION ROHR-ROHR  
RÉDUCTION TUBE-TUBE  
REDUCCIÓN TUBO-TUBO  
REDUÇÃO TUBO-TUBO

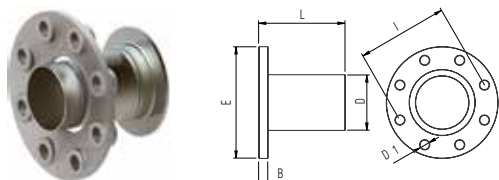


Code	D	D1	B	B1	L	Pack.
90012 00 003	80	50	91	63.5	167	1
90012 00 001	80	63	91	57.5	168	1
90012 00 002	110	80	125.5	91	247	1
90012 00 004	168	110	194	125.5	384	1

## 90013

### TUBO FLANGIATO

FLANGED TUBE  
FLANSCHANSCHLUSS  
BRIDE CIRCULAIRE  
TUBO BRIDA  
TUBO FLANGEADO



Code	D	B	C	E	F	L	D1	I	Pack.
90013 00 001	80	25	20	200	130	131	18	160	1
90013 00 002	110	25	20	220	158	166	18	180	1
90013 00 003	168	27	22	285	216	266	22	240	1

**Le dimensioni di accoppiamento della flangia rispettano la norma UNI EN 1092 - 4 PN 16 (Flange in leghe di alluminio).**

*The connection dimensions of the flange are designed in conformity with standard UNI EN 1092 - 4 PN 16 (Flange made in aluminium alloy).*

*Die Abmessungen der Flanschverbindung entsprechen der Norm UNI EN 1092 - 4 PN 16 (Flansch aus Aluminiumlegierung).*

*Les dimensions de raccordement de la bride sont conforme avec la norme UNI EN 1092 - 4 PN 16 (Bride faite en alliage d'aluminium).*

*Las dimensiones de acoplamiento de la brida, respetan la norma UNI EN 1092 - 4 PN 16 (Brida en aleación de aluminio).*

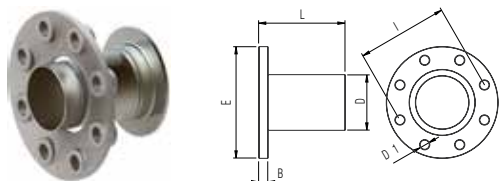
*As dimensões de acoplamento da flange respeitam a norma UNI EN 1092 - 4 PN 16 (Flange fabricada em liga de alumínio).*

## 90014

**ANSI 150-LB**

### TUBO FLANGIATO

FLANGED TUBE  
FLANSCHANSCHLUSS  
BRIDE CIRCULAIRE  
TUBO BRIDA  
TUBO FLANGEADO



Code	D	B	C	E	F	L	D1	I	Pack.
90014 00 001	80	25	20	190.5	130	131	19	152.4	1
90014 00 002	110	25	20	228.6	158	166	19	190.5	1
90014 00 003	168	27	22	279.5	216	266	22	241.5	1

**Le dimensioni di accoppiamento della flangia rispettano la norma ANSI 150-LB (Flange in leghe di alluminio).**

*The connection dimensions of the flange are designed in conformity with standard ANSI 150-LB (Flange made in aluminium alloy).*

*Die Abmessungen der Flanschverbindung entsprechen der Norm ANSI 150-LB (Flansch aus Aluminiumlegierung).*

*Les dimensions de raccordement de la bride sont conforme avec la norme ANSI 150-LB (Bride faite en alliage d'aluminium).*

*Las dimensiones de acoplamiento de la brida, respetan la norma ANSI 150-LB (Brida en aleación de aluminio).*

*As dimensões de acoplamento da flange respeitam a norma ANSI 150-LB (Flange fabricada em liga de alumínio).*

## 90017

### GUARNIZIONE PIATTA PER FLANGIA

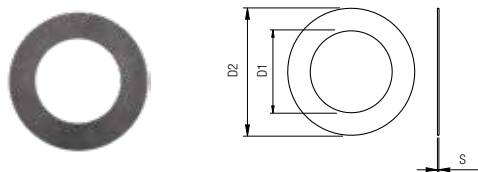
FLAT GASKET FOR FLANGE

FLACHDICHTUNG FÜR FLANSCH

JOINT POUR BRIDE CIRCULAIRE

JUNTA PARA BRIDA (RECAMBIO)

VEDAÇÃO PLANA PARA FLANGE (REPOSIÇÃO)



Code	Tube	D1	D2	S	Pack.
90017 00 57 TP 00	80	89	131	2	1
90017 00 57 HT 00	110	115	162	2	1
90017 00 57 ZW 00	168	169	220	2	1

## 90019

### KIT VITI PER FLANGIA

FLANGE BOLTS AND NUTS KIT

SET SCHRAUBEN FÜR FLANSCH

KIT BOULON / ECROU POUR BRIDE

KIT TORNILLOS PARA BRIDA

KIT DE PARAFUSOS PARA FLANGE



Code	Thread	Tube	Size	Pack.
90019 00 001	M16	80 - 110	70 mm	1
90019 00 002	M20	168	80 mm	1

**KIT: 8 viti + 8 dadi + 16 rondelle**

Kit: 8 bolts + 8 nuts + 16 washers

SET: 8 schrauben + 8 muttern + 16 scheiben

KIT: 8 vis + 8 écrous + 16 rondelles

KIT: 8 tornillos + 8 tuercas + 16 arandelas

KIT: 8 parafusos + 8 porcas + 16 arruelas

#### Montaggio 90013 - 90014 - 90017 - 90019

**IT**

- 1 Per collegare l'impianto al compressore, utilizzare adattatore flangiato 90013/90014 (ANSI 150-LB). Porre la guarnizione 90017 tra flangia del compressore e flangia 90013 o 90014 (ANSI 150-LB).
- 2 Collegare i raccordi per avviare l'impianto. Inserire il tubo nel raccordo, spingere saldamente al sedile nella parte inferiore del montaggio.
- 3 Assemblaggio finito.

#### Assembling 90013 - 90014 - 90017 - 90019

**GB**

- 1 Use 90013 or 90014 flange adapter (ANSI 150-LB) to connect the system to the compressor. Place the gasket 90017 between the compressor flange and 90013/90014 flange.
- 2 Slide the fittings onto the pipe, pushing firmly to reach the end of the seat.
- 3 How the assembly should look like.

#### Zusammenbau 90013 - 90014 - 90017 - 90019

**DE**

- 1 Verwenden Sie den Flanschadapter 90013 oder 90014 (ANSI 150-LB), um das System an den Kompressor anzuschließen. Legen Sie die Dichtung 90017 zwischen dem Kompressorflansch und dem Flansch 90013/90014.
- 2 Die Fittings auf das Rohr schieben, dabei fest drücken, bis das Ende des Sitzes erreicht wird.
- 3 So sollte der Zusammenbau aussehen.

#### Assemblage 90013 - 90014 - 90017 - 90019

**FR**

- 1 Utilisez l'adaptateur de bride 90013 ou 90014 (ANSI 150 LB) pour raccorder le système au compresseur. Placer le joint 90017 entre la bride du compresseur et la bride 90013/90014.
- 2 Insérer le tube en butée dans le raccord en poussant fermement pour atteindre la butée.
- 3 Assemblage terminé.

#### Montaje 90013 - 90014 - 90017 - 90019

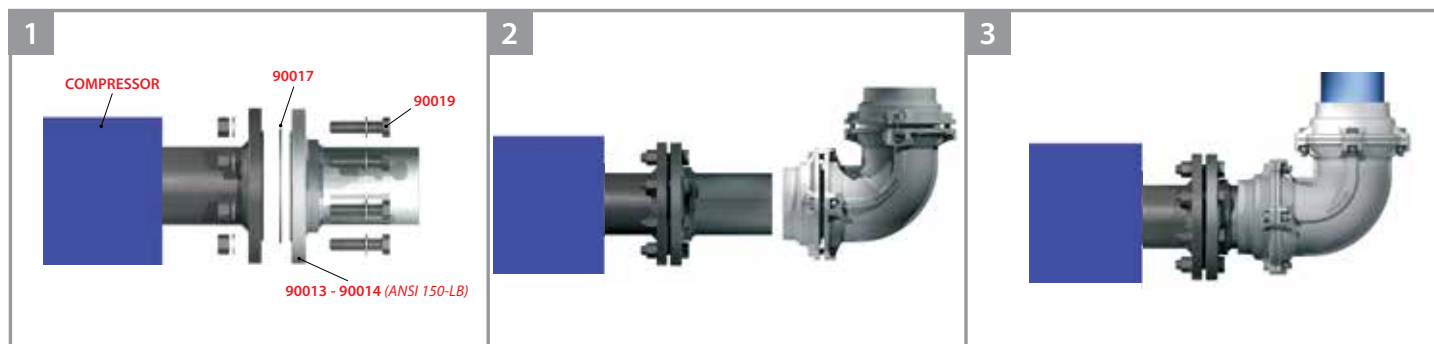
**ES**

- 1 Para conectar el sistema al compresor, utilice el adaptador de brida 90013 o 90014 (ANSI 150-LB). Poner la junta 90017 entre la brida del compresor y la brida 90013 o 90014 (ANSI 150-LB).
- 2 Conecte los accesorios en la tubería, empujando firmemente para llegar al final del asiento.
- 3 Montaje terminado.

#### Montagem 90013 - 90014 - 90017 - 90019

**PT**

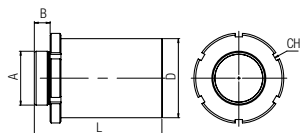
- 1 Para conectar a rede ao compressor, utilize a flange 90013 ou 90014 (ANSI 150-LB). Use a vedação 90017 entre a flange do compressor e a flange 90013 ou 90014 (ANSI 150-LB).
- 2 Inserir o tubo nas conexões empurrando com firmeza, até atingir o final do assento na parte interna da conexão.
- 3 Montagem terminada.



## 90020

### RIDUZIONE TUBO-MASCHIO - ISO 228

TUBE-MALE REDUCER - ISO 228  
 EINSCHRAUBVERSCHRAUBUNG-ROHR - ISO 228  
 ADAPTATEUR TUBE-MÂLE - ISO 228  
 ADAPTADOR TUBO-MACHO - ISO 228  
 REDUÇÃO TUBO- ROSCA MACHO - ISO 228



Code	D	A	B	L	CH*	Pack.
90020 00 003	80	2"-1/2	22	143	100	1
90020 00 004	80	3"	23	144	100	1
90020 00 001	110	2"-1/2	22	178	125	1
90020 00 002	110	3"	23	179	125	1
90020 00 005	110	4"	23	179	125	1

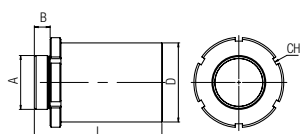
\*Dimensioni chiave a settore  
 \*Hook wrench dimensions  
 \*Hakenschlüssel abmessungen  
 \*Dimensions de la clé à ergot  
 \*Dimensiones llave de gancho  
 \*Dimensões para chave tpo gancho

## 90021

**NPTF**

### RIDUZIONE TUBO-MASCHIO

TUBE-MALE REDUCER  
 EINSCHRAUBVERSCHRAUBUNG-ROHR  
 ADAPTATEUR TUBE-MÂLE  
 ADAPTADOR TUBO-MACHO  
 REDUÇÃO TUBO- ROSCA MACHO



Code	D	A	B	L	CH*	Pack.
90021 00 003	80	2"-1/2	22	143	100	1
90021 00 004	80	3"	23	144	100	1
90021 00 001	110	2"-1/2	22	178	125	1
90021 00 002	110	3"	23	179	125	1
90021 00 005	110	4"	39	195	125	1

\*Dimensioni chiave a settore  
 \*Hook wrench dimensions  
 \*Hakenschlüssel abmessungen  
 \*Dimensions de la clé à ergot  
 \*Dimensiones llave de gancho  
 \*Dimensões para chave tpo gancho

## 90022

**New**

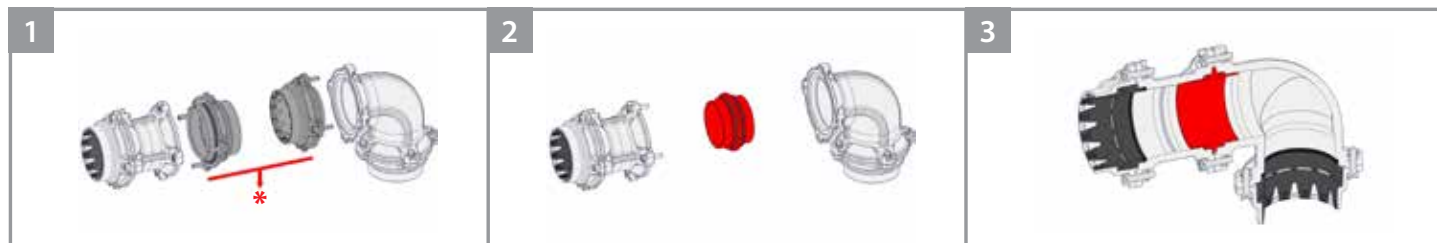
### GIUNTO DIRITTO DI COLLEGAMENTO

STRAIGHT CONNECTOR JOINT  
 GERADES GELENK  
 JOINT DROIT  
 JUNTA RECTA  
 JUNTA RETA



Code	Ø	Pack.
90022 00 001	80	1
90022 00 002	110	1

\* I dadi smontati non vengono utilizzati per la seguente applicazione  
 \* Disassembled nuts are not used for the following application  
 \* Demontierte Muttern werden nicht für die folgenden Anwendungen verwendet  
 \* Les écrous démontés ne sont pas utilisés pour les applications suivantes  
 \* Las tuercas desmontadas no se utilizan para la siguiente aplicación  
 \* As porcas desmontadas não são usadas para as seguintes aplicações



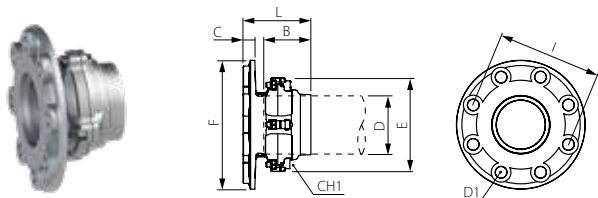
# 90023

**New**

**RACCORDO DIRITTO FLANGIATO**  
 FLANGED STRAIGHT MALE ADAPTOR  
 GERADE FLANSCHVERSCHRÄUBUNG  
 RACCORD DROIT À BRIDES  
 RACOR RECTO CON BRIDA  
 CONEXÃO COM FLANGE RETA

Code	D	B	C	E	F	L	D1	I	CH1	Pack.
<b>90023 00 007</b>	<b>80</b>	91	3.5	145	200	105.2	18	160	6	1
<b>90023 00 008</b>	<b>110</b>	125.5	4	200	220	147.5	18	180	8	1
<b>90023 00 009</b>	<b>168</b>	194	22	306	285	246	22	240	10	1

**Le dimensioni di accoppiamento della flangia rispettano la norma UNI EN 1092 - 4 PN 16 (Flange in leghe di alluminio).**  
 The connection dimensions of the flange are designed in conformity with standard UNI EN 1092 - 4 PN 16 (Flange made in aluminium alloy).  
 Die Abmessungen der Flanschverbindung entsprechen der Norm UNI EN 1092 - 4 PN 16 (Flansch aus Aluminiumlegierung).  
 Les dimensions de raccordement de la bride sont conforme avec la norme UNI EN 1092 - 4 PN 16 (Bride faite en alliage d'aluminium).  
 Las dimensiones de acoplamiento de la brida, respetan la norma UNI EN 1092 - 4 PN 16 (Brida en aleación de aluminio).  
 As dimensões de acoplamento da flange respeitam a norma UNI EN 1092 - 4 PN 16 (Flange fabricada em liga de alumínio).



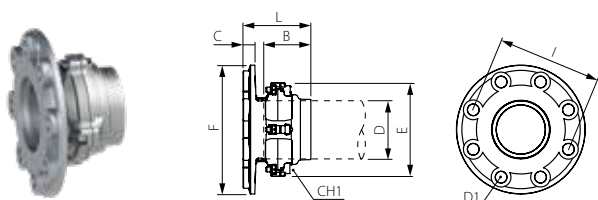
# 90024

**New ANSI 150-LB**

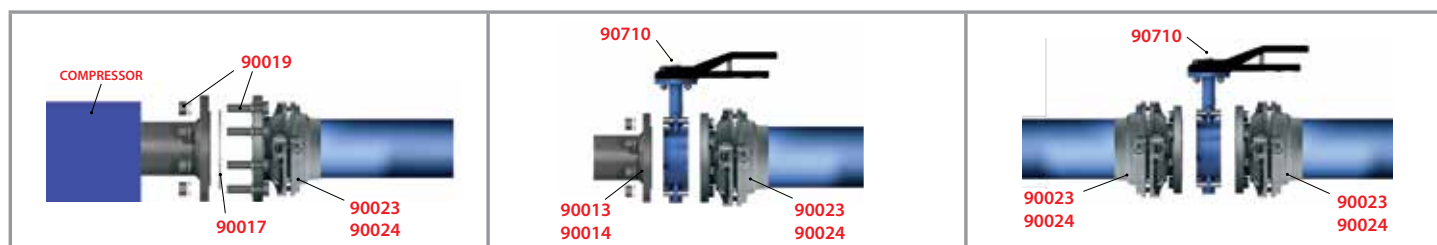
**RACCORDO DIRITTO FLANGIATO**  
 FLANGED STRAIGHT MALE ADAPTOR  
 GERADE FLANSCHVERSCHRÄUBUNG  
 RACCORD DROIT À BRIDES  
 RACOR RECTO CON BRIDA  
 CONEXÃO COM FLANGE RETA

Code	D	B	C	E	F	L	D1	I	CH1	Pack.
<b>90024 00 007</b>	<b>80</b>	91	3.5	190	200	105.2	19	152.4	6	1
<b>90024 00 008</b>	<b>110</b>	125.5	4	228.6	220	147.5	19	190.5	8	1
<b>90024 00 009</b>	<b>168</b>	194	22	306	285	246	22	241.5	10	1

**Le dimensioni di accoppiamento della flangia rispettano la norma UNI EN 1092 - 4 PN 16 (Flange in leghe di alluminio).**  
 The connection dimensions of the flange are designed in conformity with standard UNI EN 1092 - 4 PN 16 (Flange made in aluminium alloy).  
 Die Abmessungen der Flanschverbindung entsprechen der Norm UNI EN 1092 - 4 PN 16 (Flansch aus Aluminiumlegierung).  
 Les dimensions de raccordement de la bride sont conforme avec la norme UNI EN 1092 - 4 PN 16 (Bride faite en alliage d'aluminium).  
 Las dimensiones de acoplamiento de la brida, respetan la norma UNI EN 1092 - 4 PN 16 (Brida en aleación de aluminio).  
 As dimensões de acoplamento da flange respeitam a norma UNI EN 1092 - 4 PN 16 (Flange fabricada em liga de alumínio).



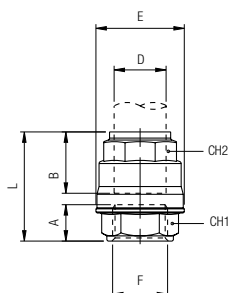
**ESEMPI APPLICATIVI 90023/90024 - APPLICATIONS EXAMPLE 90023/90024 - BEISPIELE FÜR ANWENDUNGEN 90023/90024**  
 EXEMPLES D'APPLICATIONS 90023/90024 - EJEMPLO DE APLICACIÓN 90023/90024 - EXEMPLOS DE APLICAÇÕES 90023/90024



## 90030

### RACCORDO DIRITTO FEMMINA

STRAIGHT FEMALE ADAPTOR  
 AUFSCHRAUBVERSCHRAUBUNG  
 RACCORD DROIT, TARAUEE  
 RACOR RECTO HEMBRA  
 CONEXÃO RETA COM ROSCA FÊMEA



Code	D	F	A	B	E	L	CH1	CH2	Pack.
90030 00 001	20	1/2	15	31.5	34.5	49	24	30	5
90030 00 002	25	3/4	16.5	38.5	42.5	56.5	32	35	5
90030 00 003	32	1"	19	46	52	66.5	38	45	2
90030 00 004	40	1 1/4"	22	52	63	76	50	55	2
*90030 00 006	63	2"	22	75.5	92	99.5	65	70	2

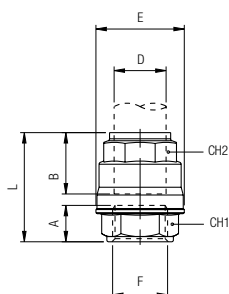
**\*Fino ad esaurimento scorta**  
*\*Until the end stock*  
*\*Nur solange vorrat*  
*\*Livrable jusqu'à épuisement du stock*  
*\*Hasta fin de stock*  
*\*Ate fim do stock*

## 90031

**NPTF**

### RACCORDO DIRITTO FEMMINA

STRAIGHT FEMALE ADAPTOR  
 AUFSCHRAUBVERSCHRAUBUNG  
 RACCORD DROIT, TARAUEE  
 RACOR RECTO HEMBRA  
 CONEXÃO RETA COM ROSCA FÊMEA

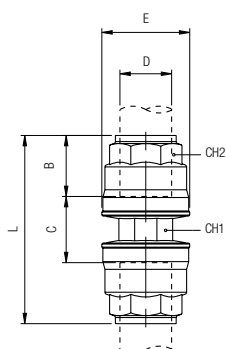


Code	D	F	A	B	E	L	CH1	CH2	Pack.
90031 00 001	20	1/2	15	31.5	34.5	49	24	30	5
90031 00 002	25	3/4	16.5	38.5	42.5	56.5	32	35	5
90031 00 003	32	1"	19	46	52	66.5	38	45	2
90031 00 004	40	1 1/4"	22	52	63	76	50	55	2

## 90040

### RACCORDO DIRITTO INTERMEDIO

STRAIGHT CONNECTOR  
 VERBINDUNGSVERSCHRAUBUNG  
 RACCORD UNION DOUBLE  
 RACOR RECTO INTERMEDIO  
 CONEXÃO RETA TUBO-TUBO



Code	D	B	C	E	L	CH1	CH2	Pack.	
90040 00 001	20	31.5	14.5	34.5	76.5	21	30	2	
90040 00 002	25	38.5	13.5	42.5	90.5	26	35	2	
90040 00 003	32	46	14.5	52	106.5	32	45	2	
90040 00 004	40	52	21	63	125	41	55	2	
*90040 00 005	50	63.5	21.5	73	148.5	50	65	2	
Alluminio - Aluminium - Aluminium - Aluminium - Aluminium - Alumínio									
90040 00 005 A	50	58.5	59	84	175	59	68	2	
90040 00 006 A	63	57.5	44	94	159	73	75	1	

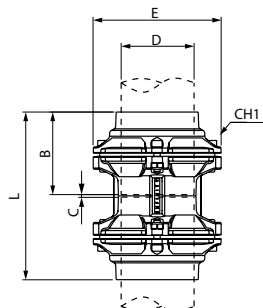
**\*Fino ad esaurimento scorta**  
*\*Until the end stock*  
*\*Nur solange vorrat*  
*\*Livrable jusqu'à épuisement du stock*  
*\*Hasta fin de stock*  
*\*Ate fim do stock*

## 90040 Ø 80-110-168

### RACCORDO DIRITTO INTERMEDIO

STRAIGHT CONNECTOR  
 VERBINDUNGSVERSCHRAUBUNG  
 RACCORD UNION DOUBLE  
 RACOR RECTO INTERMEDIO  
 CONEXÃO RETA TUBO-TUBO

Code	D	B	C	E	L	CH1	Pack.
90040 00 007	80	91	3.5	145	186	6	2
90040 00 008	110	125.5	4	200	255	8	1
90040 00 009	168	194	5	306	393	10	1

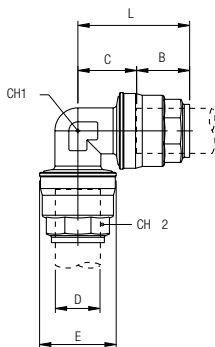


## 90130

### RACCORDO A L INTERMEDIO

ELBOW CONNECTOR  
 WINKELVERSCHRAUBUNG  
 RACCORD EQUERRE  
 RACOR A L INTERMEDIO  
 CONEXÃO EM "L" TUBO-TUBO

Code	D	B	C	E	L	CH1	CH2	Pack.
90130 00 001	20	31.5	19	34.5	51	21	30	4
90130 00 002	25	38.5	23	42.5	61.5	26	35	4
90130 00 003	32	46	28	52	74.5	34	45	2
90130 00 004	40	52	34	63	86.5	41	55	2
*90130 00 005	50	63.5	40.5	73	104	50	65	2
Alluminio - Aluminium - Aluminium - Aluminium - Aluminio - Aluminio								
90130 00 005 A	50	58.5	63	84	121.5	59	68	2
90130 00 006 A	63	57.5	55.5	94	113	73	75	1



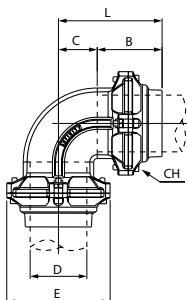
\*Fino ad esaurimento scorta  
 \*Until the end stock  
 \*Nur solange vorrät  
 \*Livrabile jusqu'à épuisement du stock  
 \*Hasta fin de stock  
 \*Ate fim do stock

## 90130 Ø 80-110-168

### RACCORDO A L INTERMEDIO

ELBOW CONNECTOR  
 WINKELVERSCHRAUBUNG  
 RACCORD EQUERRE  
 RACOR A L INTERMEDIO  
 CONEXÃO EM "L" TUBO-TUBO

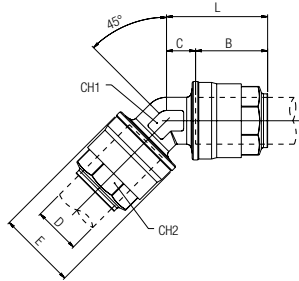
Code	D	B	C	E	L	CH	Pack.
90130 00 007	80	91	54.5	145	146	6	2
90130 00 008	110	125.5	75	200	200.5	8	1
90130 00 009	168	194	117.5	306	311.5	10	1



# 90140

## RACCORDO A 135° INTERMEDIO

135° CONNECTOR  
 WINKELVERSCHRAUBUNG 135°  
 RACCORD EQUERRE A135°  
 RACOR INTERMEDIO 135°  
 CONEXÃO TUBO-TUBO 135°



Code	D	B	C	E	L	CH1	CH2	Pack.
90140 00 001	20	31.5	12.5	34.5	44	21	30	4
90140 00 002	25	38.5	13.5	42.5	52	26	35	4
90140 00 003	32	46	15	52	61	34	45	2
90140 00 004	40	52	18	63	70	41	55	1
*90140 00 005	50	63.5	20	73	83.5	50	65	2
Alluminio - Aluminium - Aluminium - Aluminium - Aluminium - Aluminio								
90140 00 005 A	50	58.5	35.5	84	94	59	68	2
90140 00 006 A	63	57.5	24	94	82	73	75	1

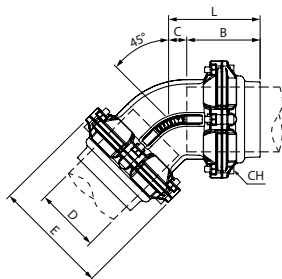
**\*Fino ad esaurimento scorta**  
 \*Until the end stock  
 \*Nur solange vorrat  
 \*Livrabre jusqu'à épuisement du stock  
 \*Hasta fin de stock  
 \*Ate fim do stock

# 90140 Ø 80-110

**New**

## RACCORDO A 135° INTERMEDIO

135° CONNECTOR  
 WINKELVERSCHRAUBUNG 135°  
 RACCORD EQUERRE A135°  
 RACOR INTERMEDIO 135°  
 CONEXÃO TUBO-TUBO 135°



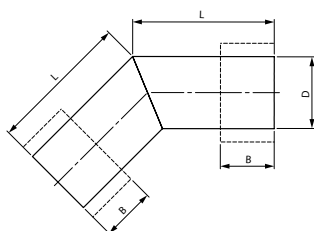
Code	D	B	C	E	L	CH	Pack.
90140 00 007	80	91	22.5	145	114	6	2
90140 00 008	110	125.5	31	200	156.5	8	1

# 90140

**New**

## RACCORDO A 135° INTERMEDIO TUBO - TUBO

TUBE - TUBE 135° CONNECTOR  
 WINKELVERSCHRAUBUNG 135° TUBO - TUBO  
 RACCORD EQUERRE A135° TUBE - TUBE  
 RACOR INTERMEDIO 135° TUBO - TUBO  
 CONEXÃO TUBO-TUBO 135° TUBO - TUBO



Code	D	B	L	Pack.
90140 00 009	168	194	330	1



## 90150

### RACCORDO A L MASCHIO-TUBO

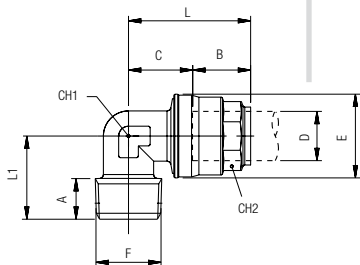
ELBOW CONNECTOR MALE-TUBE

EINSCHRAUBWINKEL KONISCH

RACCORD FILETÉ MÂLE

RACOR A L MACHO-TUBO

CONEXÃO EM "L" ROSCA MACHO-TUBO



Code	D	F	A	B	C	E	L	L1	CH1	CH2	Pack.
90150 00 001	20	1/2	14	31.5	19	34.5	51	32	21	30	4
90150 00 002	25	3/4	16.5	38.5	23	42.5	61.5	37	26	35	4
90150 00 003	32	1"	19	46	28	52	74.5	49	34	45	2
90150 00 004	40	1"-1/4	21.5	52	34	63	86.5	54	41	55	2
*90150 00 005	50	1"-1/2	21.5	63.5	40.5	73	104	59	50	65	2

**\*Fino ad esaurimento scorta**

*\*Until the end stock*

*\*Nur solange vorrat*

*\*Livrable jusqu'à épusement du stock*

*\*Hasta fin de stock*

*\*Ate fim do stock*

## 90160

### RACCORDO A L FEMMINA-TUBO

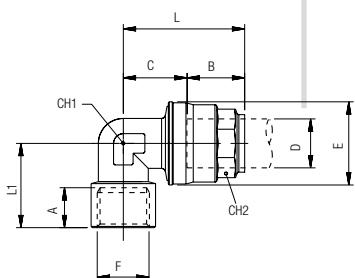
ELBOW CONNECTOR FEMALE-TUBE

AUFSCHRAUBWINKEL ZYLINDRISCH

RACCORD FILETÉ FEMELLE

RACOR A L HEMBRA-TUBO

CONEXÃO EM "L" ROSCA FÊMEA-TUBO



Code	D	F	A	B	C	E	L	L1	CH1	CH2	Pack.
90160 00 001	20	1/2	13	31.5	19	34.5	51	34.5	21	30	4
90160 00 002	25	3/4	14.5	38.5	23	42.5	61.5	38.5	26	35	4
90160 00 003	32	1"	16.5	46	28	52	74.5	47.5	34	45	2
90160 00 004	40	1"-1/4	20	52	34	63	86.5	56.5	41	55	2
*90160 00 005	50	1"-1/2	22	63.5	40.5	73	104	64.7	50	65	2
*90160 00 006	63	2"	21.7	59	52	92	111	77	65	70	1

**\*Fino ad esaurimento scorta**

*\*Until the end stock*

*\*Nur solange vorrat*

*\*Livrable jusqu'à épusement du stock*

*\*Hasta fin de stock*

*\*Ate fim do stock*

## 90230

### RACCORDO A T INTERMEDIO

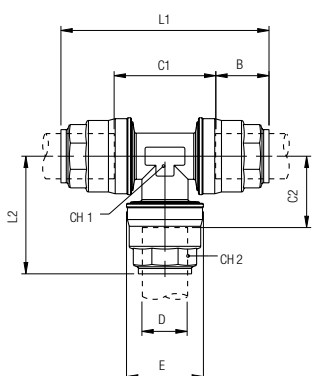
TEE CONNECTOR

T-ANSCHLUSS

RACCORD TÉ

RACOR A T INTERMEDIO

CONEXÃO EM "T" TUBO-TUBO



Code	D	E	B	C1	C2	L1	L2	CH1	CH2	Pack.
90230 00 001	20	34.5	31.5	34.5	22.5	98	54.5	21	30	3
90230 00 002	25	42.5	38.5	37.5	26	113.5	65	26	35	3
90230 00 003	32	52	46	46.5	31.5	138.5	77	34	45	2
90230 00 004	40	63	52	55.5	38	159.5	90	41	55	1
*90230 00 005	50	73	63.5	69	44.5	196	108	50	65	1

Alluminio - Aluminium - Aluminium - Aluminium - Aluminium - Alumínio

90230 00 005 A	50	84	58.5	126	79	243	122	40.5	68	1
90230 00 006 A	63	94	57.5	111	55.5	226	113	73	75	1

**\*Fino ad esaurimento scorta**

*\*Until the end stock*

*\*Nur solange vorrat*

*\*Livrable jusqu'à épusement du stock*

*\*Hasta fin de stock*

*\*Ate fim do stock*

## 90230 Ø 80-110-168

### RACCORDO A T INTERMEDIO

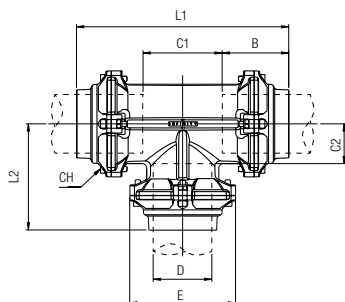
TEE CONNECTOR

T-ANSCHLUSS

RACCORD TÉ

RACOR A T INTERMEDIO

CONEXÃO EM "T" TUBO-TUBO



Code	D	E	B	C1	C2	L1	L2	CH	Pack.
90230 00 007	80	145	91	109	54.5	291.5	138	6	1
90230 00 008	110	200	125.5	150.5	75	401	200.5	8	1
90230 00 009	168	306	194	235	117.5	623	311.5	10	1

## 90300

**New**

### RACCORDO A CROCE INTERMEDIO

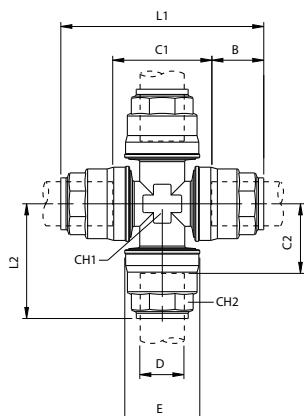
INTERMEDIATE CROSS FITTING

ZWISCHENTRAVERSE

CONNECTEUR TRANSVERSAL INTERMÉDIAIRE

CONECTOR TRANSVERSAL INTERMEDIO

CONECTOR TRANSVERSAL INTERMEDIÁRIO



Code	D	E	B	C1	C2	L1	L2	CH1	CH2	Pack.
90300 00 001	20	34.5	31.5	34.5	22.5	98	54.5	21	30	3
90300 00 002	25	42.5	38.5	37.5	26	113.5	65	26	35	3
90300 00 003	32	52	46	46.5	31.5	138.5	77	34	45	2

## 90300

**New**

### RACCORDO A CROCE TUBO - TUBO

TUBE - TUBE INTERMEDIATE CROSS FITTING

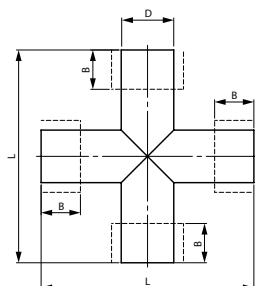
ROHR-ROHR-KREUZVERBINDER

RACCORD TRANSVERSAL TUBE - TUBE

CONECTOR TRANSVERSAL TUBO - TUBO

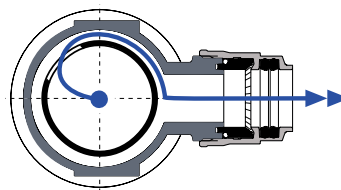
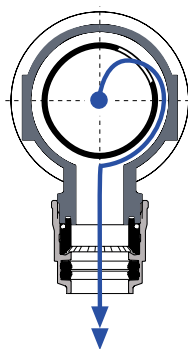
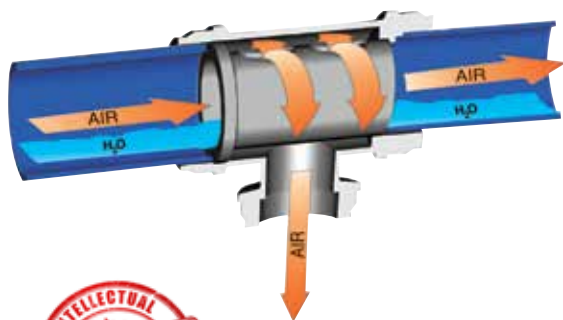
CONECTOR CRUZADO DE TUBO - TUBO

Code	D	B	L	Pack.
<i>Alluminio - Aluminium - Aluminium - Aluminium - Aluminio - Alumínio</i>				
90300 00 004	40	52	225	1
90300 00 005	50	58.5	255	1
90300 00 006	63	57.5	255	1
90300 00 007	80	91	350	1
90300 00 008	110	125.5	470	1
90300 00 009	168	194	680	1



<p><b>Funzionamento (90235-90236-90237)</b> <b>IT</b></p> <p>Questo raccordo è una valida alternativa al tradizionale collo di cigno ma si dimostra una soluzione più rapida ed economica. L'efficace sistema interno permette all'aria, senza ridurre il passaggio, di giungere all'utilizzo priva di condensa che rimanendo nel circuito primario potrà essere così drenata nel punto più conveniente.</p>	<p><b>Function (90235-90236-90237)</b> <b>GB</b></p> <p>This fitting is a valid alternative to the traditional swan-neck; it shows itself as a quicker and cost effective solution. The efficient internal system allows to the air to reach the usage points without any condense which stays within the main circuit and than it can be drained in the most convenient point.</p>	<p><b>Funktion (90235-90236-90237)</b> <b>DE</b></p> <p>Diese Verschraubung ist eine echte Alternative zum traditionellen Schwanenhals, zeigt sich jedoch als eine schnellere und wirtschaftlichere Lösung. Das effizient wirksame interne System erlaubt der Luft zu den Abgängen zu gelangen, ohne jegliches Kondenswasser, welches in der Hauptleitung verbleibt und an der geeigneten Stelle entleert werden kann.</p>
--	---	--

<p><b>Exécutions (90235-90236-90237)</b> <b>FR</b></p> <p>Ce raccord est une alternative au col de cygne traditionnel. Il se monte rapidement et est économique. Le système efficace interne ne réduit pas le passage de l'air et permet la rétention des condensats dans le système principal afin d'être purgé à un endroit propice.</p>	<p><b>Funcionamiento (90235-90236-90237)</b> <b>ES</b></p> <p>Este racor es una alternativa válida al tradicional cuello de cisne, y se demuestra una solución más rápida y económica. El eficaz sistema interno, permite el uso del aire sin ningún tipo de condensados, el cuál permanece en la línea principal y puede ser drenado en el punto más conveniente.</p>	<p><b>Funcionamento (90235-90236-90237)</b> <b>PT</b></p> <p>Esta conexão é uma opção para o tradicional sistema de pescoço de ganso; e apresenta-se como uma solução bem mais rápida e económica. Este sistema é extremamente eficaz e permite que o ar chegue ao ponto de utilização sem a presença do condensado, que é mantido na tubulação principal de forma a ser drenado em um ponto mais conveniente.</p>
--	--	--



## 90235

### RACCORDO PER CALATA

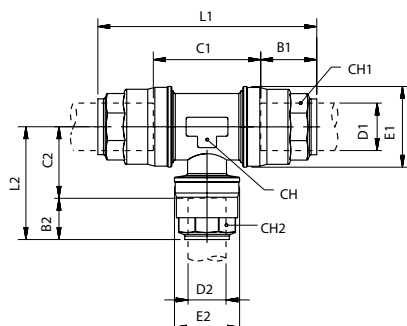
FITTING FOR OUTLET

T-ANSCHLUSS REDUZIERT

TE RÉDUIT

RACOR A T PARA BAJANTE

CONEXÃO PARA SAÍDA DE AR



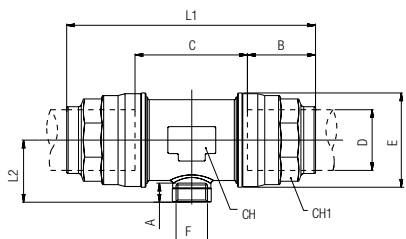
Code	D1	D2	B1	B2	C1	C2	E1	E2	L1	L2	CH	CH1	CH2	Pack.
90235 00 013	20	20	31.5	31.5	48	22.5	34.5	34.5	109	54	28	30	30	3
90235 00 001	25	20	38.5	31.5	45.5	27.5	42.5	34.5	121.5	59	35	35	30	3
90235 00 002	32	20	46	31.5	54.5	31.5	52	34.5	146.5	63	45	45	30	2
90235 00 003	32	25	46	38	54.5	31.5	52	42.5	146.5	70	45	45	35	2
90235 00 004	40	20	52.5	31.5	60	34.5	63	34.5	165.5	66	55	55	30	1
90235 00 005	40	25	52.5	38	60	34.5	63	42.5	165.5	73	55	55	35	1
*90235 00 007	50	20	63.5	31.5	73.5	41.5	73	34.5	201	73	65	65	30	1
*90235 00 008	50	25	63.5	38.5	73.5	41	73	42.5	201	80	65	65	35	1
*90235 00 009	50	32	63.5	46	73.5	41	73	52	201	87.5	65	65	45	1
Alluminio - Aluminium - Aluminium - Aluminium - Aluminium - Alumínio														
90235 00 007 A	50	20	58.5	33	105	57	84	40	222	90	69	68	30	1
90235 00 008 A	50	25	58.5	41	105	57	84	49	222	98	69	68	35	1
90235 00 009 A	50	32	58.5	45	105	57	84	58	222	102	69	68	45	1
90235 00 010 A	63	20	57.5	33	87.5	64.5	94	40	205.5	97	80	75	30	1
90235 00 011 A	63	25	57.5	41	87.5	64.5	94	49	205.5	105	80	75	35	1
90235 00 012 A	63	32	57.5	45	87.5	64.5	94	58	205.5	112	80	75	45	1

\*Fino ad esaurimento scorta  
 \*Until the end stock  
 \*Nur solange vorrat  
 \*Livvable jusqu'à épuisement du stock  
 \*Hasta fin de stock  
 \*Ate fim do stock

## 90236

### RACCORDO PER CALATA FEMMINA

FEMALE FITTING FOR OUTLET  
T-ANSCHLUSS MIT INNENGEWINDE  
TÉ FILETÉ  
RACOR PARA BAJANTE ROSCA HEMBRA  
CONEXÃO PARA SAÍDA DE AR (ROSCA FÊMEA)



Code	D	F	A	B	C	E	L1	L2	CH	CH1	Pack.
90236 00 006	20	3/8	11	31.5	48	34.5	109	25	28	30	3
90236 00 007	20	1/2	13.5	31.5	48	34.5	109	28	28	30	3
90236 00 001	25	3/8	11	38.5	45.5	42.5	121.5	29	35	35	3
90236 00 008	25	1/2	13.5	38.5	45.5	42.5	121.5	31	35	35	2
90236 00 002	32	1/2	13.5	46	54.5	52	146.5	36.5	45	45	2
90236 00 003	40	1/2	13.5	52.5	60	63	165.5	41.5	55	55	2
*90236 00 004	50	3/4	14.5	63.5	73.5	73	201	47.5	65	65	1

Alluminio - Aluminium - Aluminium - Aluminium - Aluminio - Aluminio

90236 00 019 A	50	1/2	13.5	58.5	105	84	222	53	69	68	1
90236 00 004 A	50	3/4"	14.5	58.5	105	84	222	53	69	68	1
90236 00 020 A	50	1"	17.5	58.5	105	84	222	53	69	68	1
90236 00 017 A	63	1/2	13.5	57.5	88	94	203	53	80	75	1
90236 00 005 A	63	3/4	14.5	57.5	88	94	203	54	80	75	1
90236 00 018 A	63	1"	17.5	57.5	88	94	203	56.5	80	75	1

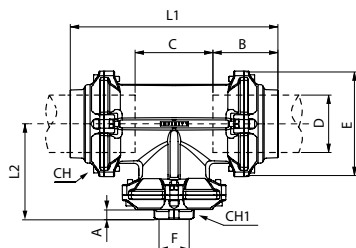
\*Fino ad esaurimento scorta  
\*Until the end stock  
\*Nur solange vorrat  
\*Livrable jusqu'à épuisement du stock  
\*Hasta fin de stock  
\*Ate fim do stock

## 90236 Ø 80-110-168

**New**

### RACCORDO PER CALATA FEMMINA

FEMALE FITTING FOR OUTLET  
T-ANSCHLUSS MIT INNENGEWINDE  
TÉ FILETÉ  
RACOR PARA BAJANTE ROSCA HEMBRA  
CONEXÃO PARA SAÍDA DE AR (ROSCA FÊMEA)



Code	D	F	A	B	C	E	L1	L2	CH	CH1	Pack.
90236 00 009	80	3/4	14.5	91	109	145	291.5	138	6	42	1
90236 00 010	80	1"	17	91	109	145	291.5	138	6	49	1
90236 00 011	80	1"-1/2	20	91	109	145	291.5	138	6	66	1
90236 00 012	80	2"	22	91	109	145	291.5	138	6	80	1
90236 00 013	110	3/4	14.5	125.5	150.5	200	401	180	8	42	1
90236 00 014	110	1"	17	125.5	150.5	200	401	180	8	49	1
90236 00 015	110	1"-1/2	20	125.5	150.5	200	401	180	8	66	1
90236 00 026	110	3"	24	125.5	150.5	200	401	187.5	8	120	1
90236 00 016	110	2"	22	125.5	150.5	200	401	180	8	80	1
*90236 00 021	168	3/4	14.5	194	235	306	623	275	10	41.5	1
*90236 00 022	168	1"	17	194	235	306	623	277	10	48	1
*90236 00 023	168	2"	22	194	235	306	623	277	10	78	1
*90236 00 024	168	3"	24	194	235	306	623	277	10	119	1
*90236 00 025	168	4"	24	194	235	306	623	286	10	124	1

\*Privo del sistema brevettato di separazione condensa

\*Without patented condensing trap

\*Ohne Patentier System für Integrierten Kondensatablass

\*Sans le système breveté de purge des condensats

\*Sin sistema de condensado patentado

\*Sem sistema interno de separação de condensado patenteado

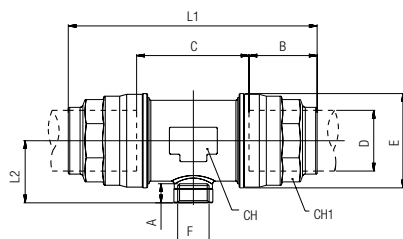
## 90237

**NPTF**

**New**

### RACCORDO PER CALATA FEMMINA

FEMALE FITTING FOR OUTLET  
T-ANSCHLUSS MIT INNENGEWINDE  
TÉ FILETÉ  
RACOR PARA BAJANTE ROSCA HEMBRA  
CONEXÃO PARA SAÍDA DE AR (ROSCA FÊMEA)



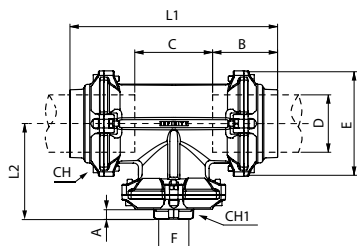
Code	D	F(NPTF)	A	B	C	E	L1	L2	CH	CH1	Pack.
90237 00 007	20	1/2	13.5	31.5	48	34.5	109	25	28	30	3
90237 00 008	25	1/2	13.5	38.5	45.5	42.5	121.5	33.5	35	35	3
Alluminio - Aluminium - Aluminium - Aluminium - Aluminio - Aluminio											
90237 00 017 A	63	1/2	13.5	57.5	88	94	203	53	80	75	1
90237 00 005 A	63	3/4	14	57.5	88	94	203	54	80	75	1
90237 00 018 A	63	1"	17	57.5	88	94	203	56.5	80	75	1

**90237 Ø 80-110-168 NPTF**

**RACCORDO PER CALATA FEMMINA**

FEMALE FITTING FOR OUTLET  
T-ANSCHLUSS MIT INNENGEWINDE  
TÉ FILETÉ  
RACOR PARA BAJANTE ROSCA HEMBRA  
CONEXÃO PARA SAÍDA DE AR (ROSCA FÊMEA)

**New**



Code	D	F(NPTF)	A	B	C	E	L1	L2	CH	CH1	Pack.
90237 00 009	80	3/4	14.5	91	109	145	291.5	138	6	42	1
90237 00 010	80	1"	17	91	109	145	291.5	138	6	49	1
90237 00 011	80	1 1/2"	20	91	109	145	291.5	138	6	66	1
90237 00 012	80	2"	22	91	109	145	291.5	138	6	80	1
90237 00 013	110	3/4	14.5	125.5	150.5	200	401	180	8	42	1
90237 00 014	110	1"	17	125.5	150.5	200	401	180	8	49	1
90237 00 015	110	1 1/2"	20	125.5	150.5	200	401	180	8	66	1
90237 00 016	110	2"	22	125.5	150.5	200	401	180	8	80	1
90237 00 026	110	3"	29	125.5	150.5	200	401	187.5	8	120	1
*90237 00 021	168	3/4	14.5	194	235	306	623	275	10	41.5	1
*90237 00 022	168	1"	17	194	235	306	623	277	10	48	1
*90237 00 023	168	2"	23.5	194	235	306	623	277	10	78	1
*90237 00 024	168	3"	29	194	235	306	623	283	10	120	1
*90237 00 025	168	4"	27	194	235	306	623	286	10	124	1

\*Privo del sistema brevettato di separazione condensa

\*Without patented condensing trap

\*Ohne Patentier System für Integrierten Kondensatablass

\*Sans le système breveté de purge des condensats

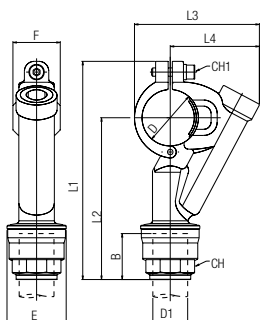
\*Sin sistema de condensado patentado

\*Sem sistema interno de separação de condensado patenteado

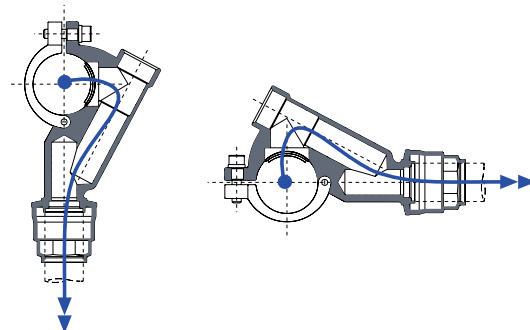
**90240**

**FLANGIA PER CALATA**

SADDLE CLAMP CONNECTOR  
SCHNELLFLANSCH REDUZIERT  
BRIDE DE DÉRIVATION POSE RAPIDE  
BRIDA PARA BAJANTE  
FLANGE PARA SAÍDA DE AR



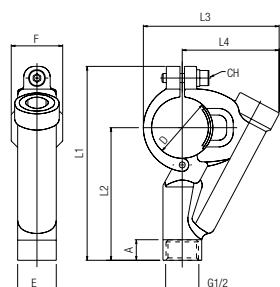
Code	D	D1	B	E	F	L1	L2	L3	L4	CH	CH1	Pack.
90240 00 003	32	20	31.5	34.5	34	136.5	100.5	78	57	30	5	6
90240 00 004	32	25	38.5	42.5	34	144.5	108.5	78	57	35	5	6
90240 00 005	40	20	31.5	34.5	34	148.5	108	89.5	64	30	5	4
90240 00 006	40	25	38.5	42.5	34	156.5	116	89.5	64	35	5	4
90240 00 007	50	20	31.5	34.5	42.5	167.5	118.5	105.5	74	30	6	2
90240 00 008	50	25	38.5	42.5	42.5	175.5	126.5	105.5	74	35	6	1
90240 00 010	63	20	31.5	34.5	42.5	185	130	119	81	30	6	1
90240 00 011	63	25	38.5	42.5	42.5	193	138	119	81	35	6	1



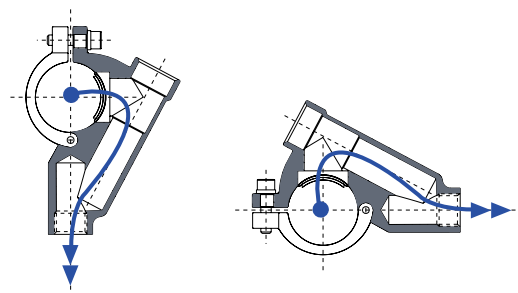
**90246**

**FLANGIA PER CALATA FEMMINA**

FEMALE SADDLE CLAMP CONNECTOR  
SCHNELLFLANSCH MIT INNENGEWINDE  
BRIDE TARAUDÉE  
RACOR PARA BAJANTE ROSCA HEMBRA  
FLANGE PARA SAÍDA DE AR (ROSCA FÊMEA)



Code	D	F	A	E	F	L1	L2	L3	L4	CH	Pack.
90246 00 003	32	1/2	13	25.5	34	115	79	78	57	5	2
90246 00 004	40	1/2	13	25.5	34	125.5	85	89.5	64	5	2
90246 00 005	50	1/2	13	25.5	42.5	144.5	95.5	105.5	74	6	2
90246 00 006	63	1/2	13	25.5	42.5	162	107	119	81	6	1

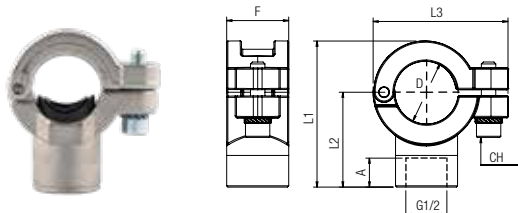


## 90247

### FLANGIA PER CALATA FEMMINA

FEMALE SADDLE CLAMP CONNECTOR  
 SCHNELLFLANSCH MIT INNENGEWINDE  
 BRIDE TARAUDÉE  
 RACOR PARA BAJANTE ROSCA HEMBRA  
 FLANGE PARA SAÍDA DE AR (ROSCA FÊMEA)

Code	D	A	F	L1	L2	L3	CH	Pack.
90247 00 002	25	1/2	15	25.5	50	39	55.5	5 2
90247 00 003	32	1/2	15	34	63.5	42.5	61.5	5 2
90247 00 004	40	1/2	15	34	71	46	70	5 2
90247 00 005	50	1/2	15	42.5	83.5	52	84.5	6 2
90247 00 006	63	1/2	15	42.5	95.5	57.5	97	6 1

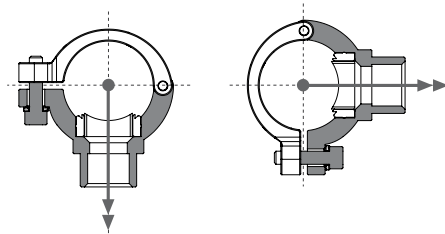
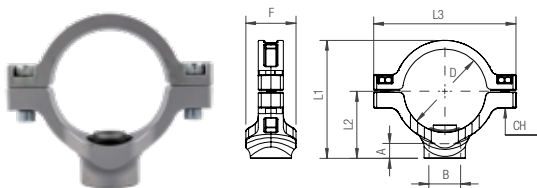


## 90247 Ø 80-110-168 **New**

### FLANGIA PER CALATA FEMMINA

FEMALE SADDLE CLAMP CONNECTOR  
 SCHNELLFLANSCH MIT INNENGEWINDE  
 BRIDE TARAUDÉE  
 RACOR PARA BAJANTE ROSCA HEMBRA  
 FLANGE PARA SAÍDA DE AR (ROSCA FÊMEA)

Code	D	B	A	F	L1	L2	L3	CH	Pack.
90247 00 007	80	3/4	16.5	50	117.5	66.5	141.5	6 1	
90247 00 008	80	1"	19	50	120	69	141.5	6 1	
90247 00 009	110	3/4	16.5	50	152.5	82	189.5	8 1	
90247 00 010	110	1"	19	50	155	84.5	189.5	8 1	
90247 00 015	110	2"	22	71	165	94	189.5	8 1	
90247 00 011	168	3/4	16.5	52	213	114	249	8 1	
90247 00 012	168	1"	19	52	213	114	249	8 1	
90247 00 013	168	1 1/2"	19	74	223	124	249	8 1	
90247 00 014	168	2"	22	74	223	124	249	8 1	



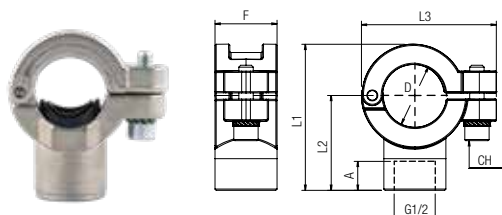
## 90248

**NPTF**

### FLANGIA PER CALATA FEMMINA

FEMALE SADDLE CLAMP CONNECTOR  
 SCHNELLFLANSCH MIT INNENGEWINDE  
 BRIDE TARAUDÉE  
 RACOR PARA BAJANTE ROSCA HEMBRA  
 FLANGE PARA SAÍDA DE AR (ROSCA FÊMEA)

Code	D	(NPTF)	A	F	L1	L2	L3	CH	Pack.
90248 00 002	25	1/2	13.5	25.5	50	39	55.5	5 2	
90248 00 003	32	1/2	13.5	34	63.5	42.5	61.5	5 2	
90248 00 004	40	1/2	13.5	34	71	46	70	5 2	
90248 00 005	50	1/2	13.5	42.5	83.5	52	84.5	6 1	
90248 00 006	63	1/2	13.5	42.5	95.5	57.5	97	6 1	

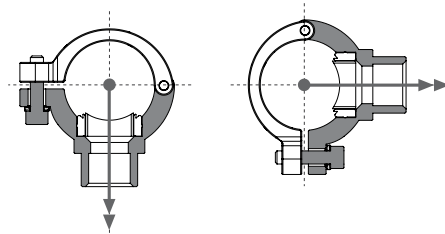
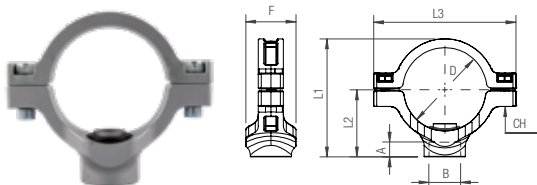


**90248 Ø 80-110-168 NPTF**

**FLANGIA PER CALATA FEMMINA**  
 FEMALE SADDLE CLAMP CONNECTOR  
 SCHNELLFLANSCH MIT INNENGEWINDE  
 BRIDE TARAUDÉE  
 RACOR PARA BAJANTE ROSCA HEMBRA  
 FLANGE PARA SAÍDA DE AR (ROSCA FÊMEA)

**New**

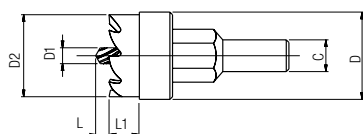
Code	D	B	A	F	L1	L2	L3	CH	Pack.
90248 00 007	80	3/4	16.5	50	117.5	66.5	141.5	6	1
90248 00 008	80	1"	19	50	120	69	141.5	6	1
90248 00 009	110	3/4	16.5	50	152.5	82	189.5	8	1
90248 00 010	110	1"	19	50	155	84.5	189.5	8	1
90248 00 015	110	2"	22	71	165	94	189.5	8	1
90248 00 011	168	3/4	16.5	52	213	114	249	8	1
90248 00 012	168	1"	19	52	213	114	249	8	1
90248 00 013	168	1 1/2"	19	74	223	124	249	8	1
90248 00 014	168	2"	22	74	223	124	249	8	1



**90241**

**FRESA PER FLANGIA DI CALATA**  
 TOOL FOR SADDLE CLAMP CONNECTOR  
 BOHRER FÜR SCHNELLFLANSCH  
 OUTIL DE PERÇAGE  
 FRESA PARA BRIDA PARA BAJANTE  
 FRESA PARA PERFURAÇÃO DE TUBOS PARA CRIAÇÃO DE SAÍDA DE AR

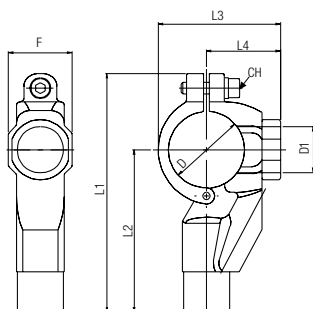
Code	Tube	C	D	D1	D2	L	L1	Pack.
90241 00 003	25	9	17.5	6	17	3	10	1
90241 00 001	32-40-80-110-168 3/4-168 1"	9	24	6	23.5	3	10	1
90241 00 002	50-63	9	31	6	30.5	3	9	1
90241 00 004	168 1 1/2 - 168 2"	10	41	6	40.5	3	13	1



**90242**

**DIMA PER FORATURA TUBO**  
 DRILLING JIG  
 BOHRSCHABLONE  
 GABARIT DE PERÇAGE  
 ÚTIL PARA TALADRO DEL TUBO  
 SUPORTE PARA GUIAR FURAÇÃO

Code	D	D1	F	L1	L2	L3	L4	CH	Pack.
90242 00 001	32	24.5	34	115	79	56	35	5	1
90242 00 002	40	24.5	34	127	86.5	65	39.5	5	1
90242 00 003	50	32	42.5	146	97	79	47.5	6	1
90242 00 004	63	32	42.5	163.5	108.5	93	55	6	1

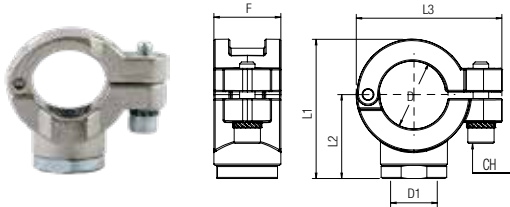


# 90249

**DIMA PER FORATURA TUBO**

DRILLING JIG  
BOHRSCABLONE  
GABARIT DE PERCAGE  
BRIDA DE BAJANTE HEMBRA  
SUPORTE PARA GUIAR FURAÇÃO

Code	D	D1	F	L1	L2	L3	CH	Pack.
90249 00 002	25	17.8	25.5	53	32	55.5	5	1
90249 00 003	32	24.5	34	56	35	61.5	5	1
90249 00 004	40	24.5	34	65	40	70	5	1
90249 00 005	50	32	42.5	79	47.5	84.5	6	1
90249 00 006	63	32	42.5	93	55	97	6	1

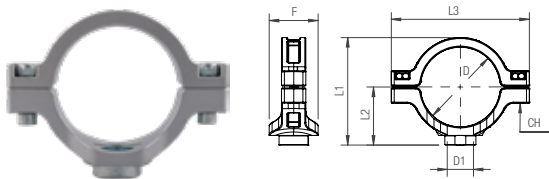


# 90249 Ø 80-110-168 **New**

**DIMA PER FORATURA TUBO**

DRILLING JIG  
BOHRSCABLONE  
GABARIT DE PERCAGE  
BRIDA DE BAJANTE HEMBRA  
SUPORTE PARA GUIAR FURAÇÃO

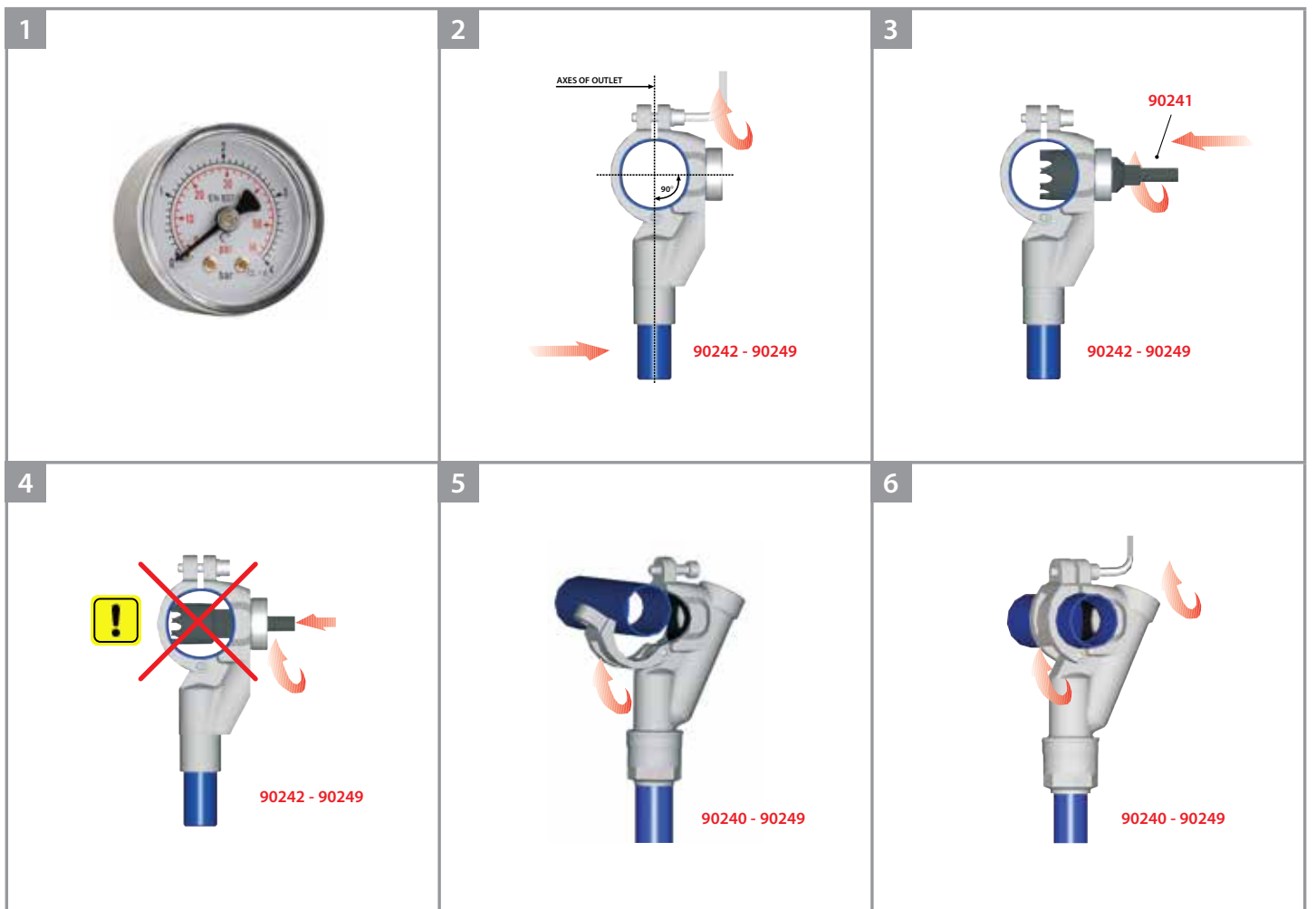
Code	D	D1	F	L1	L2	L3	CH	Pack.
90249 00 007	80	24.5	50	110.5	59.5	141.5	6	1
90249 00 008	110	24.5	50	135.5	64.5	189.5	8	1
90249 00 011	110 2"	41.5	71	147	77	189.5	8	1
90249 00 009	168 3/4 - 168 1"	24.5	52	201.5	102.5	248.5	8	1
90249 00 010	168 1 1/2 - 168 2"	41.5	74	204.5	105.5	248.5	8	1





Istruzioni montaggio flange <b>IT</b>	Mounting instructions flange <b>GB</b>	Montageanleitung <b>DE</b>
<p>La flangia di calata permette di realizzare una nuova calata in un impianto esistente senza rimuovere tubazioni.</p> <ol style="list-style-type: none"> <li>1 Depressurizzazione.</li> <li>2 Posizionare Cod. 90242 sul tubo nel punto desiderato. Accertarsi che il foro di guida sia perpendicolare all'asse di calata. E' possibile inserire un tubo Ø 20 mm per facilitare il posizionamento della dima.</li> <li>3 Forare il tubo con utensile Cod. 90241.</li> <li>4 Fare attenzione a non danneggiare il tubo.</li> <li>5 Smontare Cod. 90242 e togliere eventuali residui di materiale.</li> <li>6 Montare e avvitare Cod. 90240. Fate attenzione che la guarnizione a labbro entri correttamente nel foro. Serrate la vite.</li> </ol>	<p>Saddle clamp allows to set up a new drop in an existing system without removing tubes.</p> <ol style="list-style-type: none"> <li>1 Depressurization.</li> <li>2 Mount Cod. 90242 on tube wherever necessary. Be careful that jig bore must intersect the axis of tube drop. It is possible to connect a tube diameter Ø 20 mm to take easier the positioning of the drilling jig.</li> <li>3 Drill the tube with proper tool Cod. 90241.</li> <li>4 Do not damage the tube.</li> <li>5 Take down Cod. 90242 and remove residual material</li> <li>6 Mount and tighten Cod. 90240. Be careful that lipseal lays into the hole correctly. Screw up.</li> </ol>	<p>Die Schnellflansche ermöglichen einen neuen Abgang zu erstellen, ohne dass das Leitungsnetz demontiert werden muss.</p> <ol style="list-style-type: none"> <li>1 Drucklos.</li> <li>2 Positionieren Sie die Bohrschablone Cod. 90242 auf dem Rohr an die gewünschte Stelle. Stellen Sie sicher, dass das Führungsloch senkrecht zur Achse des Abganges ist. Um die Positionierung der Schablone zu erleichtern, legen Sie ein Rohr von Ø20 mm Durchmesser ein.</li> <li>3 Bohren des Rohres mit dem Bohrer Cod. 90241.</li> <li>4 Beschädigen Sie nicht die andere Seite des Rohres.</li> <li>5 Demontieren Sie die Bohrschablone Cod. 90242 und entfernen Späne und entgraten die Bohrung.</li> <li>6 Montieren Sie den Schnellflansch Cod. 90240. Stellen Sie sicher, dass die Dichtung richtig positioniert ist und ziehen Sie die Schraube an.</li> </ol>

Instructions de montage bride <b>FR</b>	Instrucciones de instalación <b>ES</b>	Instruções de montagem <b>PT</b>
<p>Les brides permettent d'installer de nouvelles dérivations sur un réseau existant sans démonter les tubes.</p> <ol style="list-style-type: none"> <li>1 Dépressuriser.</li> <li>2 Placez le gabarit de perçage Cod. 90242 sur le tube à l'emplacement souhaité. Assurez-vous que le trou de guidage est perpendiculaire à l'axe de descente. Pour faciliter le positionnement du gabarit, insérez un tube de diamètre Ø 20 mm.</li> <li>3 Percez le tube avec l'outil Cod. 90241.</li> <li>4 Ne pas endommager l'autre côté du tube.</li> <li>5 Démontez le gabarit Cod. 90242, enlever les copeaux et ébavurer.</li> <li>6 Monter la bride Cod. 90240. Vérifier que le joint est bien positionné et serrer.</li> </ol>	<p>La brida para bajante permite realizar un nuevo bajante en una instalación ya terminada sin tener que mover la misma. Para su instalación seguir las siguientes instrucciones.</p> <ol style="list-style-type: none"> <li>1 Despresurización de la línea.</li> <li>2 Posicionar el Cod. 90242 centrador sobre el tubo en el punto deseado. El taladro de guía del útil debe ser perpendicular al eje del tubo. Es posible insertar un tubo de Ø 20 mm para facilitar el posicionamiento del tubo.</li> <li>3 Taladrar el tubo con la fresa Cod. 90241.</li> <li>4 Prestar atención en no dañar la pared opuesta del tubo.</li> <li>5 Desmontar el Cod. 90242 y eliminar los eventuales residuos de materiales.</li> <li>6 Montar y apretar el Cod. 90240 de forma que el labio de la junta de estanqueidad se introduzca correctamente en el taladro realizado. Apretar el tornillo para completar el montaje.</li> </ol>	<p>A flange para saída de ar permite se criar uma nova saída em uma tubulação existente sem necessidade de remoção dos tubos.</p> <ol style="list-style-type: none"> <li>1 Depressurização.</li> <li>2 Posicione a peça cód. 90242 no ponto desejado da tubulação. Assegure-se que a guia de furação esteja perpendicular ao eixo de saída. Caso deseje, engate um tubo para facilitar o posicionamento da guia.</li> <li>3 Fure o tubo utilizando a fresa cód. 90241</li> <li>4 Tenha cuidado para não danificar o outro lado do tubo durante a furação.</li> <li>5 Desmonte a guia cód. 90242 e remova eventuais resíduos presentes na tubulação.</li> <li>6 Monte e parafuse a conexão cód. 90240. Assegure-se que a vedação entre corretamente no furo. Aperte o parafuso.</li> </ol>



## 90252

### STRUMENTO DI FORATURA PER TUBI INFINITY

DRILLING TOOL FOR INFINITY TUBES  
BOHRWERKZEUG FÜR INFINITY ROHR  
OUTIL PERÇAGE TUBES  
HERRAMIENTA DE PERFORACION  
FERRAMENTA DE PERFURAÇÃO



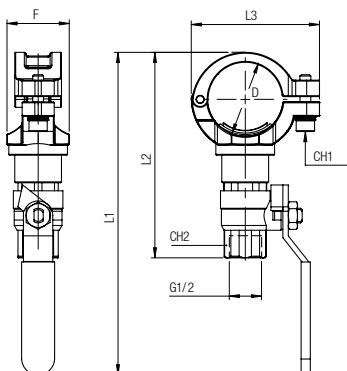
Code	Dimensions	Pack.
90252 00 001	25 - 32 - 40 - 50 - 63	1

## 90253

### FLANGIA DI CALATA CON VALVOLA

SADDLE CLAMP CONNECTOR WITH VALVE  
SCHNELLFLANSCH MIT INNENGEWINDE U. KUGELHAHN  
BRIDE DE DESCENTE AVEC ROBINET  
BRIDA PARA BAJANTE HEMBRE CON VALVULA  
FLAGE PARA SAIDA DE AR CON ROSCA FEMEA E VÁLVULA DE BÓIA

Code	D	G	F	L1	L2	L3	CH1	CH2	Pack.
90253 00 002	25	1/2	25.5	161	97.5	55.5	5	25	1
90253 00 003	32	1/2	34	168	104	61.5	5	25	1
90253 00 004	40	1/2	34	176	112	70	5	25	1
90253 00 005	50	1/2	42.5	188	125	84.5	6	25	1
90253 00 006	63	1/2	42.5	200	137	97	6	25	1



#### Istruzioni montaggio cod. 90253 - 90255

#### Mounting instructions 90253 - 90255

#### Montageanleitung 90253 - 90255

- 1 Posizionare la flangia Cod. 90253 - 90255 sul tubo ed avvitare correttamente - aprire la valvola.
- 2 Fissare il Drilling Tool Cod. 90252 - 90254 sulla valvola ed avvitare correttamente.
- 3 Fissare il trapano sul Drilling Tool e forare il tubo fino ad arrivare in battuta.
- 4 Togliere il trapano dal Drilling Tool ed estrarre la punta usata per forare il tubo; chiudere la valvola prima di togliere il Drilling Tool.

- 1 Mount the saddle clamp Cod.90253 - 90255 on tube and screw it carefully - open the valve.
- 2 Mount the drilling tool Cod.90252 - 90254 on valve and screw it carefully.
- 3 Mount the drill on the drilling tool Cod.90252 - 90254 and drill the tube till the stop.
- 4 Remove the drill and pull back the drill tip; close the valve before removing the drilling tool.

- 1 Positionieren Sie den Schnellflansch Cod. 90253 - 90255 auf dem Rohr und ziehen den Flansch an - öffnen Sie den Kugelhahn.
- 2 Befestigen Sie das Bohrwerkzeug Cod. 90252 - 90254 auf dem Kugelhahn und ziehen es richtig an.
- 3 Befestigen Sie die Bohrmaschine auf dem Bohrwerkzeug und bohren bis zum Anschlag in das Rohr.
- 4 Entfernen Sie die Bohrmaschine vom Bohrwerkzeug und schieben den Bohrer ganz zurück; schließen Sie den Kugelhahn und entfernen das Bohrwerkzeug aus dem Kugelhahn.

#### Instruccions de montage cod. 90253 - 90255

#### Instrucciones de instalación 90253 - 90255

#### Instruções de montagem 90253 - 90255

- 1 Positionner la bride Cod. 90253 - 90255 sur le tube et visser la vis de fixation. - Ouvrir la vanne à bille.
- 2 Monter l'outil de forage Cod.90252 - 90254 sur la vanne et le visser soigneusement.
- 3 Fixer la perceuse sur l'outil Cod. 90252 - 90254 et percer jusqu'à venir en butée.
- 4 Retirer la perceuse (mèche) et fermer la vanne à bille. Démontez la perceuse puis l'outil de perçage.

- 1 Posicionar el Cod. 90253 - 90255 sobre el tubo en el punto deseado. Abrir la válvula.
- 2 Montar la herramienta de perforación Cod.90252 - 90254 en la válvula y atornillar con cuidado.
- 3 Montar la broca sobre el Cod. 90252 - 90254 y taladrar el tubo hasta el fondo.
- 4 Retirar la broca. Cerrar la válvula antes que desmontar el Cod. 90252 - 90254.

- 1 Montar Cod. 90253 - 90255 no tubo. Enrosacar cuidadosamente. Abrir a válvula.
- 2 Monte a ferramenta de perfuração Cod.90252 - 90254 na válvula e parafuse-a com cuidado.
- 3 Montar a broca de perfuração no Cod. 90252 - 90254 e perfurar o tubo até o fim.
- 4 Retirar a broca. Feche a válvula antes de retirar el Cod. 90252 - 90254.

**90254**

**NPTF**

**STRUMENTO DI FORATURA PER TUBI INFINITY**

DRILLING TOOL FOR INFINITY TUBES  
BOHRWERKZEUG FÜR INFINITY ROHR  
OUTIL PERÇAGE TUBES  
HERRAMIENTA DE PERFORACION  
FERRAMENTA DE PERFURAÇÃO



Code	Dimensions	Pack.
90254 00 001	25 - 32 - 40 - 50 - 63	1

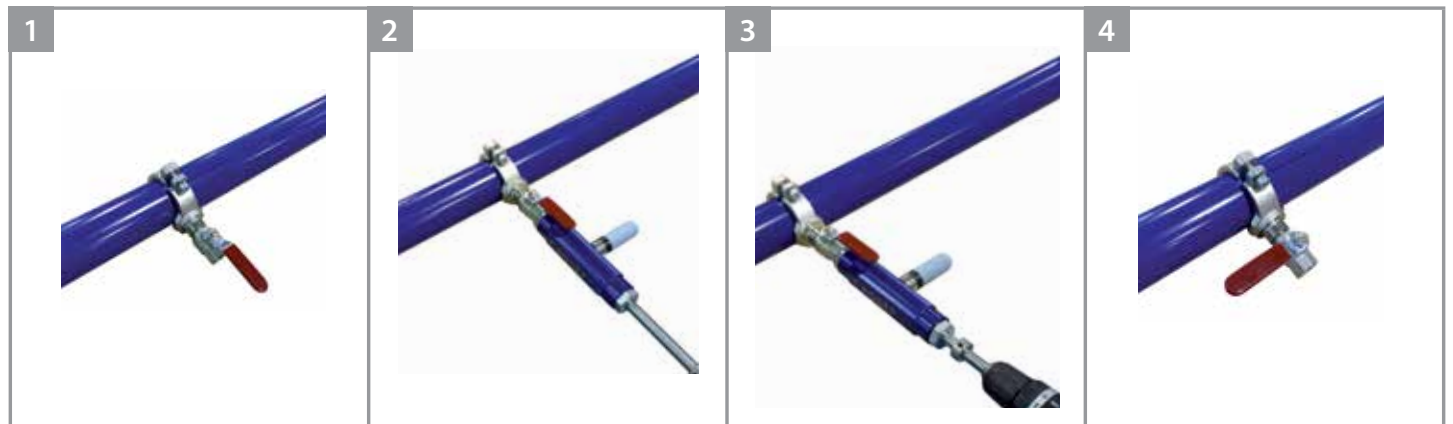
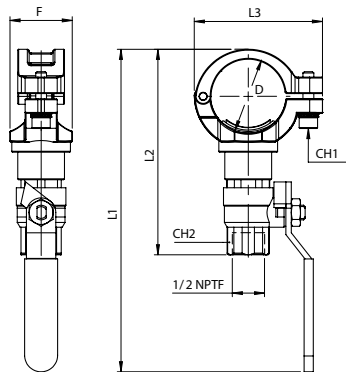
**90255**

**NPTF**

**FLANGIA DI CALATA CON VALVOLA**

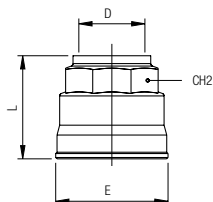
SADDLE CLAMP CONNECTOR WITH VALVE  
SCHNELLFLANSCH MIT INNENGEWINDE U. KUGELHAHN  
BRIDE DE DESCENTE AVEC ROBINET  
BRIDA PARA BAJANTE HEMBRE CON VALVULA  
FLAGE PARA SAIDA DE AR CON ROSCA FEMEA E VÁLVULA DE BÓIA

Code	D	G	F	L1	L2	L3	CH1	CH2	Pack.
90255 00 002	25	1/2	25.5	161	97.5	55.5	5	25	1
90255 00 003	32	1/2	34	168	104	61.5	5	25	1
90255 00 004	40	1/2	34	176	112	70	5	25	1
90255 00 005	50	1/2	42.5	188	125	84.5	6	25	1
90255 00 006	63	1/2	42.5	200	137	97	6	25	1



## 90610

**TAPPO**  
 PLUG  
 VERSCHLUSSZAPFEN  
 BOUCHON  
 TAPÓN  
 TAMPÃO

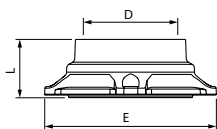


Code	D	L	E	CH2	Pack.
90610 00 001	20	33	34.5	30	10
90610 00 002	25	39	42.5	35	6
90610 00 003	32	46.5	52	45	4
90610 00 004	40	53	63	55	4
*90610 00 005	50	62	73	65	2
<b>Alluminio - Aluminium - Aluminium - Aluminium - Aluminio - Aluminio</b>					
90610 00 005 A	50	73.5	84	68	1
90610 00 006 A	63	64	94	75	1

**\*Fino ad esaurimento scorta**  
*\*Until the end stock*  
*\*Nur solange vorrat*  
*\*Livvable jusqu'à épuisement du stock*  
*\*Hasta fin de stock*  
*\*Ate fim do stock*

## 90610 Ø 80-110-168

**TAPPO**  
 PLUG  
 VERSCHLUSSZAPFEN  
 BOUCHON  
 TAPÓN  
 TAMPÃO

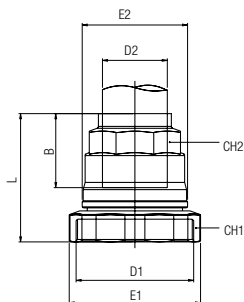


Code	D	L	E	Pack.
90610 00 007	80	49.5	145	1
90610 00 008	110	68	200	1
90610 00 009	168	85	306	1

## 90620

**New**

**RIDUZIONE DIRITTA**  
 REDUCER  
 REDUZIERUNG  
 RÉDUCTION  
 REDUCCIÓN  
 REDUÇÃO




Code	D1	D2	B	E1	E2	L	CH1	CH2	Pack.
90620 00 001	25	20	31.5	43.5	34.5	48	42	30	5
90620 00 002	32	20	31.5	54	34.5	48.5	52	30	5
90620 00 003	32	25	38.5	54	42.5	55	52	35	5
90620 00 004	40	20	31.5	65	34.5	50	63	30	4
90620 00 005	40	25	38.5	65	42.5	56.5	63	35	4
90620 00 006	40	32	46	65	52	63.5	63	45	3
*90620 00 011	50	25	38.5	75	42.5	55	73	35	1
*90620 00 007	50	32	46	75	52	63.5	73	45	1
*90620 00 008	50	40	52	75	63	69	73	55	1
<b>Alluminio - Aluminium - Aluminium - Aluminium - Aluminio - Aluminio</b>									
90620 00 011 A	50	25	41	90	49	80	80	35	1
90620 00 007 A	50	32	45	90	58	84	80	45	1
90620 00 009 A	63	40	52	95	63	84.5	92	55	1
90620 00 010 A	63	50	63.5	95	73	92.5	92	65	1


**\*Fino ad esaurimento scorta**  
*\*Until the end stock*  
*\*Nur solange vorrat*  
*\*Livvable jusqu'à épuisement du stock*  
*\*Hasta fin de stock*  
*\*Ate fim do stock*

<b>Montaggio 90620</b>	<b>IT</b>	<b>Assembling 90620</b>	<b>GB</b>	<b>Montageanleitung 90620</b>	<b>DE</b>
1 Rimuovere il dado 2 Montare Cod. 90620 3 Coppia di serraggio		1 Remove the nut 2 Mount Cod. 90620 3 Torque specifications		1 Entfernen sie die Mutter 2 Montieren Cod. 90620 3 Angaben Drehmoment	


<b>Assemblage 90620</b>	<b>FR</b>	<b>Montaje 90620</b>	<b>ES</b>	<b>Montagem 90620</b>	<b>PT</b>
1 Démontez l'écrou 2 Monter Cod. 90620 3 Couple de serrage		1 Quitar la tuerca 2 Montar 90620 3 Par de apriete		1 Remover a porca 2 Montar cód. 90620 3 Torque	



**1**



**2**



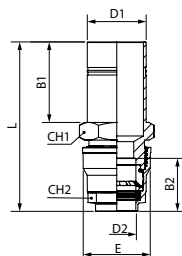
**3**

Ø mm	Torque specifications
20	3 Nm (26 In - lbs)
25	3 Nm (26 In - lbs)
32	4 Nm (35 In - lbs)
40	6.5 Nm (58 In - lbs)
50	75 Nm (55 ft - lbs)
63	85 Nm (63 ft - lbs)
Aluminium	
50	75 Nm (55 ft - lbs)
63	85 Nm (63 ft - lbs)

## 90621

**RIDUZIONE**  
REDUCER  
REDUZIERUNG  
ADAPTATEUR  
ADAPTADOR  
REDUÇÃO

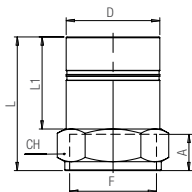
Code	D1	D2	B1	B2	E	L	CH1	CH2	Pack.
Alluminio - Aluminium - Aluminium - Aluminium - Aluminium - Aluminio									
90621 00 011 A	50	25	68.5	40.5	49	140	55	35	1
90621 00 007 A	50	32	68.5	45	58	144	55	45	1
90621 00 008 A	50	40	68.5	52	63	139	65	55	1
90621 00 013 A	63	25	62	40.5	49	133.5	65	35	1
90621 00 012 A	63	32	62	45	58	137	65	45	1
90621 00 009 A	63	40	62	52	63	133.5	65	55	1



## 90625

**RIDUZIONE FEMMINA**  
FEMALE REDUCER  
AUFSCHRAUBVERSCHRAUBUNG  
ADAPTATEUR FEMELLE  
ADAPTADOR HEMBRA  
REDUÇÃO COM ROSCA FÊMEA

Code	D	F	A	L	L1	CH	Pack.
Alluminio - Aluminium - Aluminium - Aluminium - Aluminium - Aluminio							
90625 00 009 A	50	1"1/2	20	83	61	55	2
90625 00 011 A	63	1"1/2	20	84	62	65	2
90625 00 012 A	63	2"	22	90	62	65	2

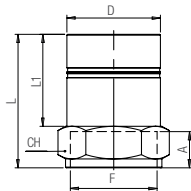


## 90626

**NPTF**

### RIDUZIONE FEMMINA

FEMALE REDUCER  
AUFSCHRAUBVERSCHRAUBUNG  
ADAPTATEUR FEMELLE  
ADAPTADOR HEMBRA  
REDUÇÃO COM ROSCA FÊMEA

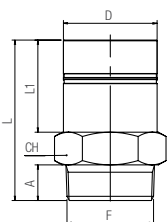


Code	D	F (NPTF)	A	L	L1	CH	Pack.
90626 00 01 CJ NT	20	1/2"	13.5	55	35	27	2
90626 00 01 3I NT	25	3/4"	18	62.5	42	32	2
90626 00 01 4I NT	32	1"	23	76.5	51	38	2
Alluminio - Aluminium - Aluminium - Aluminium - Aluminium - Alumínio							
90626 00 11 5I AG	40	1"1/4"	23	81	55.5	50	2
90626 00 11 6I AG	50	1"1/2"	17.3	83	61	55	2
90626 00 11 7I AG	63	2"	23.5	108	82	65	2

## 90627

### RIDUZIONE MASCHIO

MALE REDUCER  
EINSCHRAUBVERSCHRAUBUNG  
ADAPTATEUR MÂLE  
ADAPTADOR MACHO  
REDUÇÃO COM ROSCA MACHO



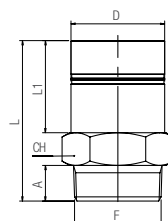
Code	D	F	A	L	L1	CH	Pack.
90627 00 001	20	1/2"	14	56	35	22	2
90627 00 002	20	3/4"	16.5	59.5	35	27	2
90627 00 003	25	1/2"	14	64	42	27	2
90627 00 004	25	3/4"	16.5	66.5	42	27	2
90627 00 005	25	1"	19	71	42	34	2
90627 00 006	32	1"	19	80	51	34	2
Alluminio - Aluminium - Aluminium - Aluminium - Aluminium - Alumínio							
90627 00 007 A	32	1"1/2"	21.5	87.5	51	50	2
90627 00 009 A	40	1"1/2"	21.5	92	55.5	50	2
90627 00 010 A	50	1"1/2"	21.5	105	68.5	55	2
90627 00 011 A	50	2"	24	112.5	68.5	65	2
90627 00 012 A	63	2"	24	108	62	65	2
90627 00 013 A	63	2"1/2"	24	128	82	75	2

## 90628

**NPTF**

### RIDUZIONE MASCHIO

MALE REDUCER  
EINSCHRAUBVERSCHRAUBUNG  
ADAPTATEUR MÂLE  
ADAPTADOR MACHO  
REDUÇÃO COM ROSCA MACHO



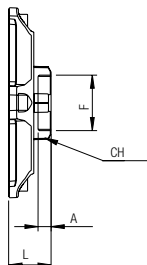
Code	D	F (NPTF)	A	L	L1	CH	Pack.
90628 00 01 CJ NT	20	1/2"	17	59	35	22	2
90628 00 01 DH NT	20	3/4"	17.5	60.5	35	27	2
90628 00 01 NF NT	25	1/2"	17	67	42	27	2
90628 00 01 3I NT	25	3/4"	17.5	67.5	42	27	2
90628 00 01 DL NT	25	1"	21.5	73.5	42	34	2
90628 00 01 4I NT	32	1"	21.5	83.5	52	34	1
90628 00 01 F7 NT	32	1"1/2"	23	89.5	52	50	1
90628 00 01 NE NT	40	1"1/2"	23	93	55.5	50	1
90628 00 01 6I NT	50	1"1/2"	23	106	68.5	55	1
90628 00 01 G5 NT	50	2"	23.5	112	68.5	65	1
Alluminio - Aluminium - Aluminium - Aluminium - Aluminium - Alumínio							
90628 00 11 7I AG	63	2"	23.5	125.5	82	65	1
90628 00 11 58 AG	63	2"1/2"	35	139	82	75	1

# 90630

**New**

**RIDUZIONE FEMMINA**

FEMALE REDUCER  
 REDUZIERUNG INNENGEWINDE  
 RÉDUCTION FILETÉE  
 REDUCCIÓN HEMBRA  
 REDUÇÃO FÊMEA



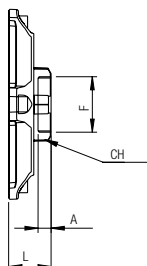
Code	Tube	F	A	L	CH	Pack.
90630 00 005	80	3/4"	14.5	42	42	1
90630 00 006	80	1"	17	42	49	1
90630 00 007	80	1"-1/2"	20	42	66	1
90630 00 008	80	2"	22	42	80	1
90630 00 001	110	3/4"	14.5	48	42	1
90630 00 002	110	1"	17	48	49	1
90630 00 003	110	1"-1/2"	20	48	66	1
90630 00 004	110	2"	22	48	80	1
90630 00 014	110	3"	24	51.5	120	1
90630 00 009	168	3/4"	14.5	99.5	42	1
90630 00 010	168	1"	17	102	49	1
90630 00 011	168	2"	22	102	80	1
90630 00 012	168	3"	24	108.5	120	1
90630 00 013	168	4"	24	110	145	1

# 90631

**New NPTF**

**RIDUZIONE FEMMINA**

FEMALE REDUCER  
 REDUZIERUNG INNENGEWINDE  
 RÉDUCTION FILETÉE  
 REDUCCIÓN HEMBRA  
 REDUÇÃO FÊMEA



Code	Tube	F (NPTF)	A	L	CH	Pack.
90631 00 005	80	3/4"	14	42	42	1
90631 00 006	80	1"	17	42	49	1
90631 00 007	80	1"1/2"	17.5	42	66	1
90631 00 008	80	2"	17.5	42	80	1
90631 00 001	110	3/4"	14	48	42	1
90631 00 002	110	1"	17	48	49	1
90631 00 003	110	1"1/2"	17.5	48	66	1
90631 00 004	110	2"	17.5	48	80	1
90631 00 014	110	3"	29	51.5	120	1
90631 00 009	168	3/4"	14.5	99.5	42	1
90631 00 010	168	1"	17	102	49	1
90631 00 011	168	2"	22	102	80	1
90631 00 012	168	3"	29	108.5	120	1
90631 00 013	168	4"	34	110	145	1

**Montaggio 90630 - 90631**

**IT**

**Assembling 90630 - 90631**

**GB**

**Montageanleitung 90630 - 90631**

**DE**

- 1 Rimuovere la flangia
- 2 Montare Cod. 90630 - 90631 & 90010 - 90011

- 1 Remove the flange
- 2 Mount Cod. 90630 - 90631 & 90010 - 90011

- 1 Entfernen Sie die Flansche
- 2 Montieren Cod. 90630 - 90631 & 90010 - 90011

**Assemblage 90630 - 90631**

**FR**

**Montaje 90630 - 90631**

**ES**

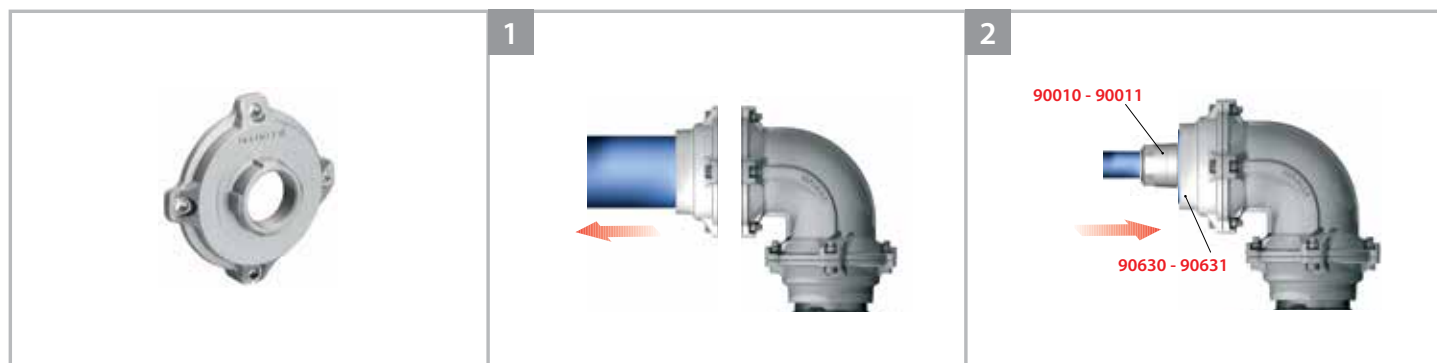
**Montagem 90630 - 90631**

**PT**

- 1 Démontez les brides
- 2 Monter Cod. 90630 - 90631 & 90010 - 90011

- 1 Quitar las bridas
- 2 Montar 90630 - 90631 & 90010 - 90011

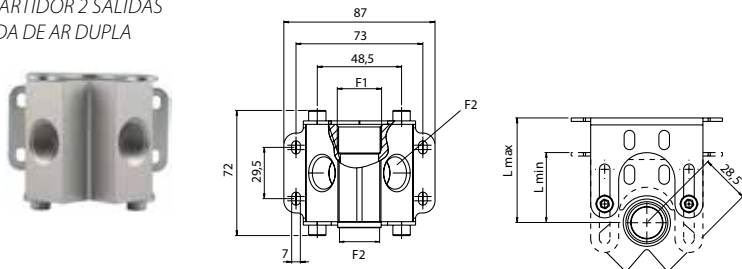
- 1 Remover os flanges
- 2 Montar cód. 90630 - 90631 & 90010 - 90011



## 90642

### RIPARTITORE 2 VIE

2 WAYS MANIFOLD  
WANDANSCHLUSS 2-FACH  
PRISE MURALE FILETÉE, 2 SORTIES  
REPARTIDOR 2 SALIDAS  
SAÍDA DE AR DUPLA



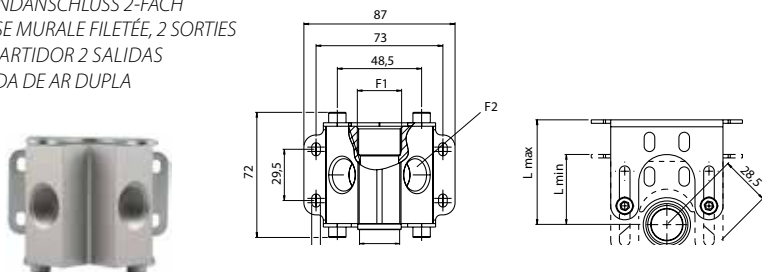
Code	F1	F2	N°	Lmax	Lmin	Pack.
90642 00 001	1/2	1/2	2	60	35	1
90642 00 002	3/4	1/2	2	60	35	1

## 90643

**NPTF**

### RIPARTITORE 2 VIE

2 WAYS MANIFOLD  
WANDANSCHLUSS 2-FACH  
PRISE MURALE FILETÉE, 2 SORTIES  
REPARTIDOR 2 SALIDAS  
SAÍDA DE AR DUPLA



Code	F1(NPTF)	F2(NPTF)	N°	Lmax	Lmin	Pack.
90643 00 001	1/2	1/2	2	60	35	1
90643 00 002	3/4	1/2	2	60	35	1

**ESEMPI DI APPLICAZIONI - APPLICATIONS EXAMPLE - BEISPIELE FÜR ANWENDUNGEN**  
EXEMPLES D'APPLICATIONS - EJEMPLO DE APLICACIÓN - EXEMPLOS DE APLICAÇÕES

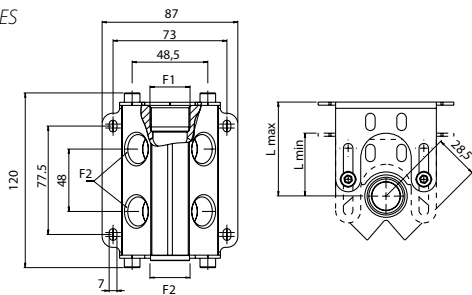
<p>90642 90010 661</p>	<p>90642 90720 661</p>	<p>90642 90010 6310 661</p>
<p>90642 90720 6310 661</p>	<p>90642 90010 6310 191</p>	<p>90642 90720 6310 191</p>
<p>90642 90010 191</p>	<p>90642 90720 191</p>	<p>90642 90010 2060 T100 661</p>



# 90644

## RIPARTITORE 4 VIE

4 WAYS MANIFOLD  
WANDANSCHLUSS 4-FACH  
PRISE MURALE FILETÉE, 4 SORTIES  
REPARTIDOR 4 SALIDAS  
SAÍDA DE AR QUADRUPLA

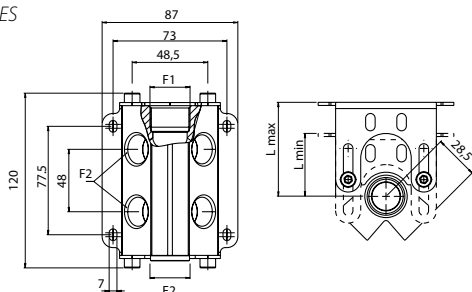


Code	F1	F2	N°	Lmax	Lmin	Pack.
90644 00 001	1/2	1/2	4	60	35	1
90644 00 002	3/4	1/2	4	60	35	1

# 90645

## RIPARTITORE 4 VIE

4 WAYS MANIFOLD  
WANDANSCHLUSS 4-FACH  
PRISE MURALE FILETÉE, 4 SORTIES  
REPARTIDOR 4 SALIDAS  
SAÍDA DE AR QUADRUPLA



**NPTF**

Code	F1(NPTF)	F2(NPTF)	N°	Lmax	Lmin	Pack.
90645 00 001	1/2	1/2	4	60	35	1
90645 00 002	3/4	1/2	4	60	35	1

ESEMPI DI APPLICAZIONI - APPLICATIONS EXAMPLE - BEISPIELE FÜR ANWENDUNGEN  
EXEMPLES D'APPLICATIONS - EJEMPLO DE APLICACIÓN - EXEMPLOS DE APLICAÇÕES

<p>90644 90010 661</p>	<p>90644 90720 661</p>	<p>90644 90010 6310 661</p>
<p>90644 90720 6310 661</p>	<p>90644 90010 6310 191</p>	<p>90644 90720 191</p>
<p>90644 90010 6310 191</p>	<p>90644 90720 6310 191</p>	<p>90644 90010 2060 T100 661</p>

## 90600

### RACCORDO A STAFFA - ORIENTABILE

BRACKET FITTING - ADJUSTABLE

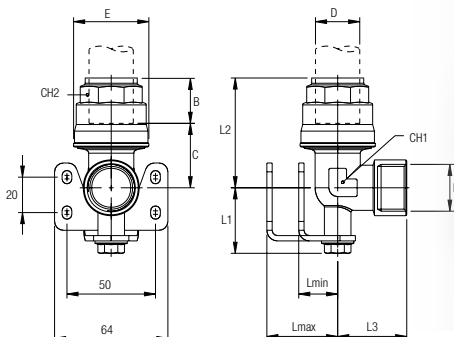
WANDANSCHLUSS 1-FACH - EINSTELLBAR

PRISE MURALE, 1 SORTIE FEMELLE - ORIENTABLE

RACOR CODO A FIJACIÓN 1 SALIDA

SAÍDA DE AR SIMPLES ORIENTÁVEL

Code	D	F	B	C	E	L1	L2	L3	Lmax	Lmin	CH1	CH2	Pack.
90600 00 001	20	1/2	31.5	19.5	34.5	35	51	35	40	22	21	30	4
90600 00 002	25	3/4	38.5	23	42.5	37	62	39	40	22	26	35	3
90600 00 003	32	1"	46	28	52	41	74.5	48.5	40	26	34	45	2



## 90601

**NPTF**

### RACCORDO A STAFFA - ORIENTABILE

BRACKET FITTING - ADJUSTABLE

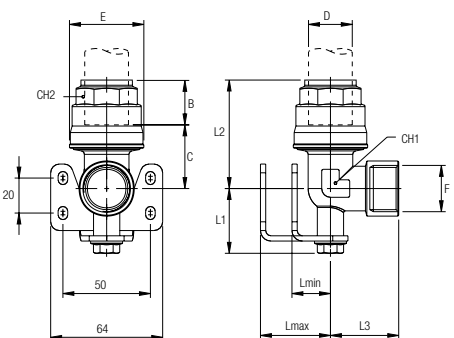
WANDANSCHLUSS 1-FACH - EINSTELLBAR

PRISE MURALE, 1 SORTIE FEMELLE - ORIENTABLE

RACOR CODO A FIJACIÓN 1 SALIDA

SAÍDA DE AR SIMPLES ORIENTÁVEL

Code	D	F(NPTF)	B	C	E	L1	L2	L3	Lmax	Lmin	CH1	CH2	Pack.
90601 00 001	20	1/2	31.5	19.5	34.5	35	51	35	40	22	21	30	4
90601 00 002	25	1/2	38.5	23	42.5	37	62	39	40	22	26	35	3
90601 00 003	32	1/2	46	28	62	41	74.5	48.5	40	26	34	45	2



## 90602

### RIPARTITORE 2 VIE ORIENTABILE

2 WAYS MANIFOLD - ADJUSTABLE

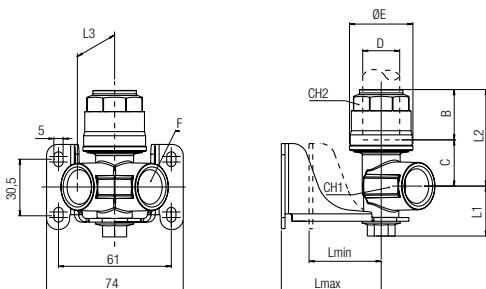
WANDANSCHLUSS 2-FACH - EINSTELLBAR

PRISE MURALE, 2 SORTIES FEMELLES - ORIENTABLE

REPARTIDOR 2 SALIDAS AJUSTABLE

SAÍDA DE AR DUPLA - ORIENTÁVEL

Code	D	F	B	C	E	I	L1	L2	Lmin	Lmax	CH1	CH2	Pack.
90602 00 001	20	1/2	31.5	20	34.5	28.5	27	51.5	22	54	26	30	2
90602 00 002	25	1/2	38.5	21	42.5	28.5	27	59	22	54	26	35	2



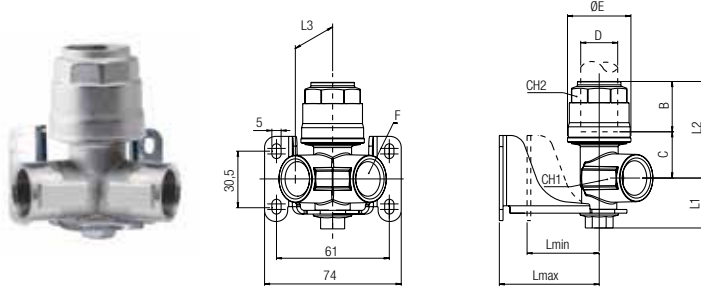
**90603**

**NPTF**

**RIPARTITORE 2 VIE ORIENTABILE**

2 WAYS MANIFOLD - ADJUSTABLE  
 WANDANSCHLUSS 2-FACH - EINSTELLBAR  
 PRISE MURALE, 2 SORTIES FEMELLES - ORIENTABLE  
 REPARTIDOR 2 SALIDAS AJUSTABLE  
 SAÍDA DE AR DUPLA - ORIENTÁVEL

Code	D	F(NPTF)	B	C	E	I	L1	L2	Lmin	Lmax	CH1	CH2	Pack.
90603 00 001	20	1/2	31.5	20	34.5	28.5	27	51.5	22	54	26	30	2
90603 00 002	25	1/2	38.5	21	42.5	28.5	27	59	22	54	26	35	2

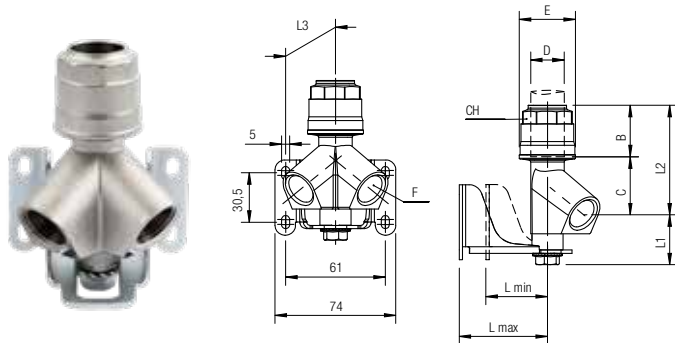


**90660**

**RIPARTITORE 2 VIE INCLINATO ATTACCO TUBO - FEMMINA**

2 WAYS INCLINED MANIFOLD TUBE-FEMALE  
 WANDANSCHLUSS 2-FACH MIT ROHRANSCHLUSS 45°  
 PRISE MURALE, 2 SORTIES FEMELLES 45°  
 REPARTIDOR A 2 VÍAS INCLINADO CONEXIÓN TUBO-HEMBRA  
 SAÍDA DE AR DUPLA INCLINADA TUBO-ROSCA FÊMEA

Code	D	F	B	C	E	L1	L2	L3	Lmin	Lmax	CH	Pack.
90660 00 001	20	1/2	31.5	34.5	34.5	31	66	37.5	22	54	30	2
90660 00 002	25	1/2	38.5	33	42.5	31	71.5	37.5	22	54	35	2



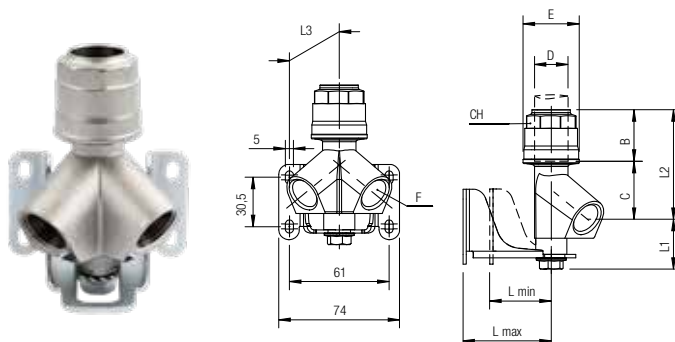
**90661**

**NPTF**

**RIPARTITORE 2 VIE INCLINATO ATTACCO TUBO - FEMMINA**

2 WAYS INCLINED MANIFOLD TUBE-FEMALE  
 WANDANSCHLUSS 2-FACH MIT ROHRANSCHLUSS 45°  
 PRISE MURALE, 2 SORTIES FEMELLES 45°  
 REPARTIDOR A 2 VÍAS INCLINADO CONEXIÓN TUBO-HEMBRA  
 SAÍDA DE AR DUPLA INCLINADA TUBO-ROSCA FÊMEA

Code	D	F(NPTF)	B	C	E	L1	L2	L3	Lmin	Lmax	CH	Pack.
90661 00 001	20	1/2	31.5	34.5	34.5	31	66	37.5	22	54	30	2
90661 00 002	25	1/2	38.5	33	42.5	31	71.5	37.5	22	54	35	2



## 90662

### RIPARTITORE 2 VIE INCLINATO ATTACCO FEMMINA

2 WAYS INCLINED MANIFOLD FEMALE

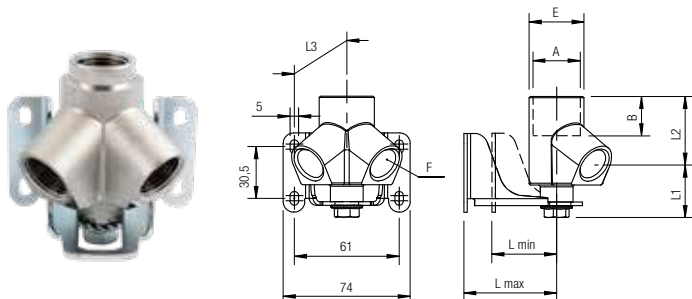
WANDANSCHLUSS 2-FACH MIT INNENGEWINDE 45°

PRISE MURALE, 2 SORTIES TARAUDÉES 45°

REPARTIDOR A 2 VÍAS INCLINADO CONEXIÓN HEMBRA

SAÍDA DE AR DUPLA INCLINADA ROSCA FÊMEA

Code	A	F	B	E	L1	L2	L3	L min	L max	Pack.
90662 00 001	1/2	1/2	13	32	31	40.5	37.5	22	54	2
90662 00 002	3/4	1/2	16.5	32	31	39	37.5	22	54	2



## 90663

**NPTF**

### RIPARTITORE 2 VIE INCLINATO ATTACCO FEMMINA

2 WAYS INCLINED MANIFOLD FEMALE

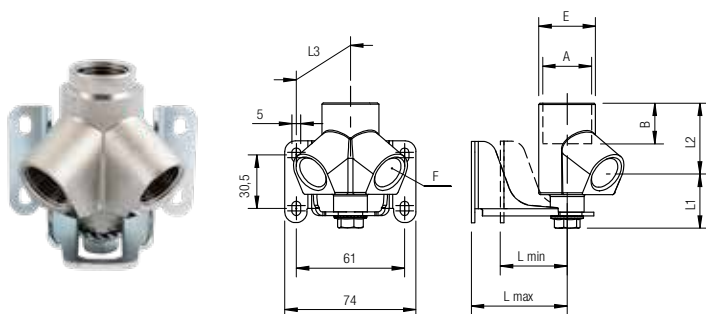
WANDANSCHLUSS 2-FACH MIT INNENGEWINDE 45°

PRISE MURALE, 2 SORTIES TARAUDÉES 45°

REPARTIDOR A 2 VÍAS INCLINADO CONEXIÓN HEMBRA

SAÍDA DE AR DUPLA INCLINADA ROSCA FÊMEA

Code	A(NPTF)	F(NPTF)	B	E	L1	L2	L3	L min	L max	Pack.
90663 00 001	1/2	1/2	13.5	32	31	40.5	37.5	22	54	2
90663 00 002	3/4	1/2	14	32	31	39	37.5	22	54	2



## 90664

### RIPARTITORE 2 VIE INCLINATO CON VALVOLA - FEMMINA

2 WAYS INCLINED MANIFOLD VALVE-FEMALE

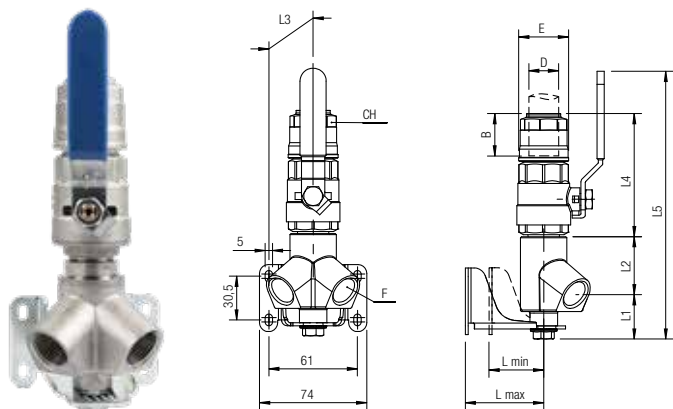
WANDANSCHLUSS 2-FACH 45° MIT MONTIERTEM KUGELHAHN

PRISE MURALE, 2 SORTIES FEMELLES 45°, AVEC ROBINET

REPARTIDOR A 2 VÍAS INCLINADO CONEXIÓN HEMBRA

SAÍDA DE AR DUPLA INCLINADA ROSCA FÊMEA COM VÁLVULA ACOPLADA

Code	D	F	B	E	L1	L2	L3	L4	L5	L min	L max	CH	Pack.
90664 00 001	20	1/2	31.5	34.5	31	40.5	37.5	84.5	184	22	54	30	2
90664 00 002	25	1/2	38.5	42.5	31	39	37.5	101.5	209	22	54	35	2



## 90665

**NPTF**

### RIPARTITORE 2 VIE INCLINATO CON VALVOLA - FEMMINA

2 WAYS INCLINED MANIFOLD VALVE-FEMALE

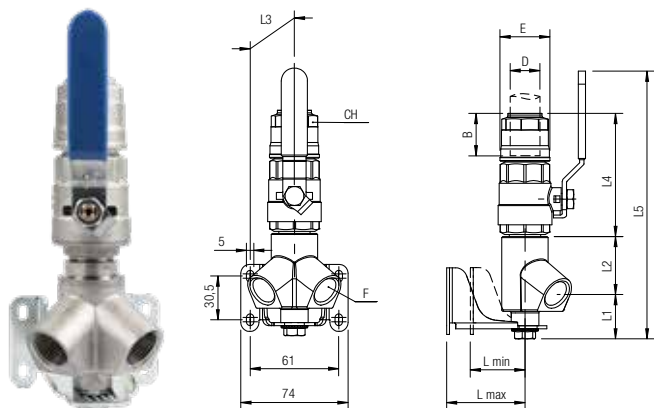
WANDANSCHLUSS 2-FACH 45° MIT MONTIERTEM KUGELHAHN

PRISE MURALE, 2 SORTIES FEMELLES 45°, AVEC ROBINET

REPARTIDOR A 2 VÍAS INCLINADO CONEXIÓN HEMBRA

SAÍDA DE AR DUPLA INCLINADA ROSCA FÊMEA COM VÁLVULA ACOPLADA

Code	D	F(NPTF)	B	E	L1	L2	L3	L4	L5	L <sub>min</sub>	L <sub>max</sub>	CH	Pack.
90665 00 001	20	1/2	31.5	34.5	31	40.5	37.5	84.5	184	22	54	30	2
90665 00 002	25	1/2	38.5	42.5	31	39	37.5	101.5	209	22	54	35	2



## 90700

### VALVOLA A SFERA - PASSAGGIO TOTALE

BALL VALVE - FULL BORE

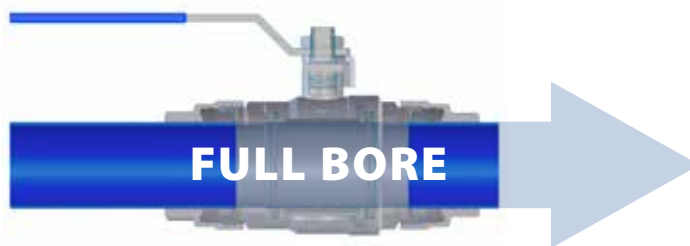
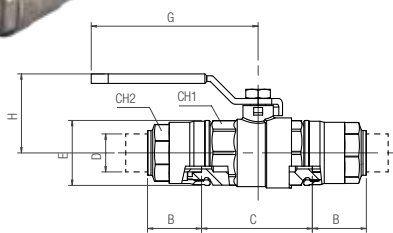
KUGELHAHN - VOLLER DURCHGANG

ROBINET DOUBLE EGAL - PLEIN PASSAGE

VÁLVULA DE BOLA - PASO TOTAL

VÁLVULA DE ESFERA - FURO COMPLETO

Code	D	DN	B	C	E	L	CH1	CH2	G	H	Pack.
90700 00 001	20	17	31.5	58.5	34.5	121.5	32	30	88	42	2
90700 00 002	25	22	38.5	61.5	42.5	138.5	41	35	106	47.5	2
90700 00 003	32	29	46	75	52	167	50	45	106	53	2
90700 00 004	40	37	52.5	81	63	186	59	55	134	65	1
*90700 00 005	50	46	63.5	103	73	230	69	65	134	72.5	1
Alluminio - Aluminium - Aluminium - Aluminium - Aluminium - Aluminio											
90700 00 005 A	50	46	65	115	84	245	69	68	134	72.5	1
90700 00 006 A	63	59	57.5	126	94	232	89	75	240	111.5	1



\*Fino ad esaurimento scorta  
 \*Until the end stock  
 \*Nur solange vorrat  
 \*Livrabre jusqu'à épuisement du stock  
 \*Hasta fin de stock  
 \*Ate fim do stock

**Le valvole 90700 90710 sono realizzate appositamente per non avere nessun restringimento. E' sconsigliato il montaggio di raccordi su valvole filettate standard è causa di notevole perdita di flusso.**

The ball valves 90700 - 90710 are designed to guarantee full flow.  
 We do not recommend using threaded ball valves because they reduce flow significantly.

Dieser speziell konzipierte Kugelhahn mit Aussengewinde garantiert maximalen Durchlass.  
 Um den maximalen Durchlass zu garantieren, empfehlen wir Ihnen nicht die Standardvariante zu wählen.

Les valves sont réalisées spécifiquement pour garantir un passage total.  
 Nous vous conseillons de ne pas utiliser de robinets filetés car le débit sera alors sensiblement réduit.

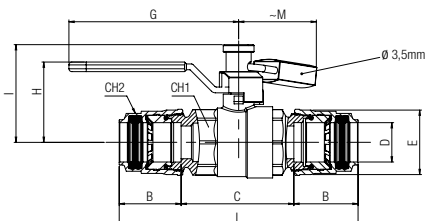
Las válvulas de bola 90700 - 90710 están diseñadas para garantizar el flujo total.  
 No recomendamos el uso de válvulas de bola roscadas porque reducen significativamente el flujo.

As válvulas 90700 / 90710 são fabricadas de modo a garantir passagem plena.  
 Não recomendamos a utilização de válvulas roscadas montadas com conexões, pois esta combinação reduz significativamente a vazão dos sistemas.

## 90705

### VALVOLA A SFERA - PASSAGGIO TOTALE - CON LUCCHETTO

BALL VALVE TUBE/TUBE WITH PADLOCK  
 KUGELHAHN - VOLLER DURCHGANG INKL. VORHÄNGESCHLOSS  
 ROBINET DOUBLE EGAL - PLEIN PASSAGE INCL. CADENAS  
 VÁLVULA DE BOLA A 2 VÍAS TUBO/TUBO CANDADO INCLUIDO  
 VÁLVULA DE ESFERA CADEADO INCLUSO



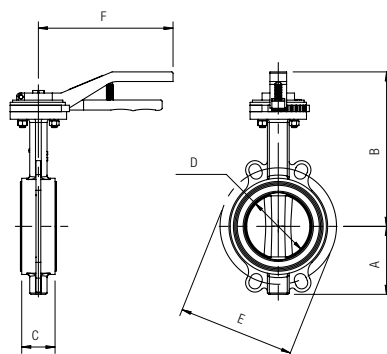
Code	D	(DN)	B	C	E	L	CH1	CH2	G	H	I	M	Pack.
90705 00 001	20	17	31.5	58.5	34.5	121.5	32	30	88	42	50.7	45	2
90705 00 002	25	22	38.5	61.5	42.5	138.5	41	35	106	47.5	59.5	45	2
90705 00 003	32	29	46	75	52	167	50	45	106	53	65	45	2
90705 00 004	40	37	52.5	81	63	186	59	55	134	65	74.5	47	1
*90705 00 005	50	46	63.5	103	73	230	69	65	134	72.5	82	47	1
Alluminio - Aluminium - Aluminium - Aluminium - Aluminium - Aluminio													
90705 00 005 A	50	46	65	115	84	245	69	68	134	72.5	82	47	1

**\*Fino ad esaurimento scorta**  
 \*Until the end stock  
 \*Nur solange vorrat  
 \*Livvable jusqu'à épuisement du stock  
 \*Hasta fin de stock  
 \*Ate fim do stock

## 90710

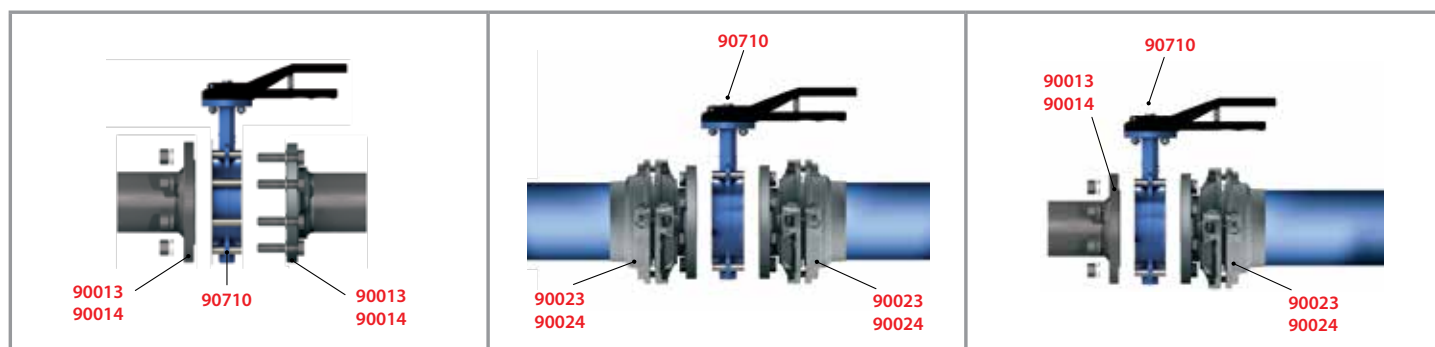
### VALVOLA A FARFALLA + VITI + DADI + RONDELLE

BUTTERFLY VALVE + SCREWS + NUTS + WASHERS  
 ABSPERKLAFFE + SCHRAUBEN + MUTTERN + SCHEIBEN  
 VANNE A PAPILLON + VIS + ECROU + RONDELLES  
 VÁLVULA MARIPOSA + TORNILLOS + TUERCAS + ARANDELAS  
 VÁLVULA BORBOLETA + PARAFUSOS + PORCAS + ARRUELAS



Code	D	(DN)	A	B	C	E	F	Pack.
90710 00 002	80	77	87	216	46	160	265	1
90710 00 001	110	100	106	201	52	180	265	1
90710 00 003	168	150	126	202	56	240	265	1

**ESEMPI APPLICATIVI 90023/90024 - APPLICATIONS EXAMPLE 90023/90024 - BEISPIELE FÜR ANWENDUNGEN 90023/90024**  
 EXEMPLES D'APPLICATIONS 90023/90024 - EJEMPLO DE APLICACIÓN 90023/90024 - EXEMPLOS DE APLICAÇÕES 90023/90024



## 90720

### VALVOLA A SFERA MASCHIO-TUBO

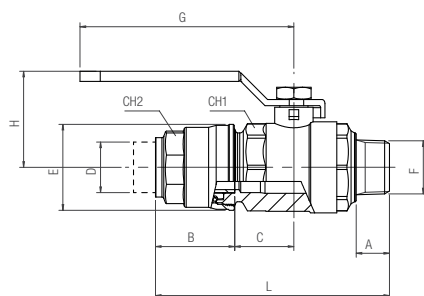
MALE-TUBE BALL VALVE

KUGELHAHN AUSSENGEWINDE-ROHR

VANNE TUBE / FILETAGE

VÁLVULA DE BOLA A 2 VÍAS MACHO-TUBO

VÁLVULA DE ESFERA ROSCA MACHO-TUBO



Code	D	F	DN	A	B	C	E	L	CH1	CH2	G	H	Pack.
90720 00 001	20	1/2	15	18	31.5	29.3	34.5	100.8	32	30	88	42	2
90720 00 002	25	3/4	20	18	38.5	30.8	42.5	119.3	41	35	106	47.5	2

## 90721

**NPTF**

### VALVOLA A SFERA MASCHIO-TUBO

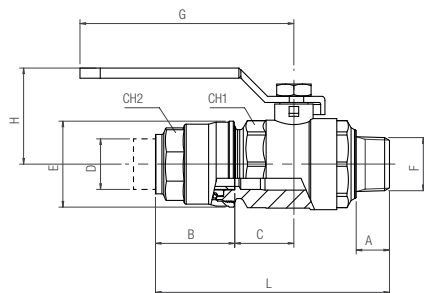
MALE-TUBE BALL VALVE

KUGELHAHN AUSSENGEWINDE-ROHR

VANNE TUBE / FILETAGE

VÁLVULA DE BOLA A 2 VÍAS MACHO-TUBO

VÁLVULA DE ESFERA ROSCA MACHO-TUBO



Code	D	F(NPTF)	DN	A	B	C	E	L	CH1	CH2	G	H	Pack.
90721 00 001	20	1/2	15	17	31.5	29.3	34.5	100.8	32	30	88	42	2
90721 00 002	25	3/4	20	17.5	38.5	30.8	42.5	119.3	41	35	106	47.5	2

## 90725

### VALVOLA A SFERA MASCHIO-TUBO CON LUCCHETTO

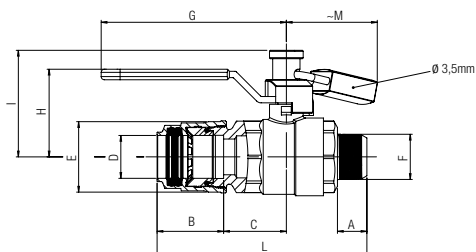
MALE-TUBE BALL VALVE WITH PADLOCK

KUGELHAHN AUSSENGEWINDE-ROHR INKL. VORHÄNGESCHLOSS

VANNE TUBE / FILETAGE INCL. CADENAS

VÁLVULA DE BOLA A 2 VÍAS MACHO-TUBO CANDADO INCLUIDO

VÁLVULA DE ESFERA ROSCA MACHO-TUBO CADEADO INCLUSO



Code	D	F	DN	A	B	C	E	L	CH1	CH2	G	H	I	M	Pack.
90725 00 001	20	1/2	15	18	31.5	29.3	34.5	100.8	32	30	88	42	50.7	45	2
90725 00 002	25	3/4	20	18	38.5	30.8	42.5	119.3	41	35	106	47.5	59.5	45	2

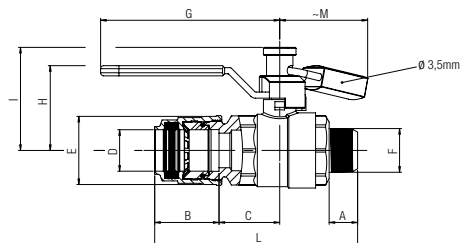
**90726**

**NPTF**

**VALVOLA A SFERA MASCHIO-TUBO  
CON LUCCHETTO**

MALE-TUBE BALL VALVE WITH PADLOCK  
KUGELHAHN AUSSENGEWINDE-ROHR INKL. VORHÄNGESCHLOSS  
VANNE TUBE / FILETAGE INCL. CADENAS  
VÁLVULA DE BOLA A 2 VÍAS MACHO-TUBO CANDADO INCLUIDO  
VÁLVULA DE ESFERA ROSCA MACHO-TUBO CADEADO INCLUSO

Code	D	F(NPTF)	DN	A	B	C	E	L	CH1	CH2	G	H	I	M	Pack.
90726 00 001	20	1/2	15	17	31.5	29.3	34.5	100.8	32	30	88	42	50.7	45	2
90726 00 002	25	3/4	20	17.5	38.5	30.8	42.5	119.3	41	35	106	47.5	59.5	45	2





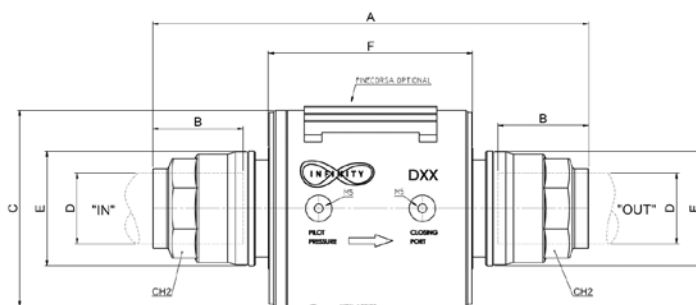
# 90740

## VALVOLA D'INTERCETTAZIONE PNEUMATICA

PNEUMATIC AXIAL VALVE  
 VENTILE FÜR PNEUMATISCHEN BETRIEB  
 VANNE D'ARRÊT PNEUMATIQUE  
 VÁLVULA DE CIERRE NEUMÁTICA  
 VÁLVULA DE CORTE PNEUMÁTICO

Code	D	Kv	A	B	C	E	F	CH2	Pack.
90740 00 003	32	78	198	46	89	52	92.6	45	1
90740 00 004	40	101	208	52	89	63	92.6	55	1
90740 00 005	50	168	249	63.5	109	73	110	65	1
90740 00 006	63	300	269	57.5	139	94	140.3	75	1

	min	max
 Pressure	-	+ 10 bar (1.0 MPa)



### Funzionamento

La valvola si presenta come una normalmente chiusa e sfrutta la pressione presente in condotta per l'apertura o l'interruzione del flusso di aria compressa.

La valvola, se non opportunamente pilotata, inizia spontaneamente a commutare il suo stato in valvola aperta quando la pressione in condotta raggiunge circa 2 bar e raggiunge la condizione di massima portata con pressione in condotta di circa 3.5 bar.

Da notare che se la pressione scende a circa 2 bar la valvola automaticamente richiude; quindi in caso di guasto, le sezioni non direttamente interessate dalla perdita vengono mantenute con una pressione minima pari a questo valore.

La pressione presente in condotta è sempre disponibile sull'uscita "pilot pressure"; mediante un semplice deviatore pneumatico o elettro-pneumatico è possibile indirizzare questa pressione verso la "closing port" ottenendo l'immediata chiusura della valvola.

### IT Function

The valve is normally closed and it uses the pipeline pressure to open and close the compressed air flow.

If not piloted, with a min. pressure of 2 bar the valve transits from closed to open position spontaneously.  
 The valve is fully open with pipeline pressure around 3.5 bar.

If pressure drops under 2 bar the valve automatically closes. This is the minimum pressure that remains in pipeline sections not affected by failure.

The pipeline pressure is always available on the outlet "Pilot Pressure". Using a pneumatic or electropneumatic deflector is possible to flow this pressure to the "Closing Port" in order to close the valve immediately.

### GB Funktion

Das Ventil ist normalerweise geschlossen, wobei zum Öffnen und Schliessen des Druckluftstroms der Leitungsdruck verwendet wird.

Wenn nicht mit einem Mindestdruck von 2 bar gesteuert, wechselt das Ventil spontan von der geschlossenen in die geöffnete Position. Das Ventil ist vollständig geöffnet bei einem Leitungsdruck um 3,5 bar.

Wenn der Druck unter 2 bar fällt, schliesst das Ventil automatisch. Dies ist der Mindestdruck, der in den Rohrleitungsabschnitten bleibt, welche nicht durch den Ausfall betroffen sind.

Der Leitungsdruck ist immer auf dem Ausgang "Steuerdruck". Durch den Einsatz eines einfachen pneumatischen oder elektropneumatischen Schalters, ist es möglich diesen Druck auf den "Closing Port" zu leiten, damit das Ventil sofort schliesst.

### DE

### Exécutions

La vanne clapet est normalement fermée et exploite la pression dans le conduit pour l'ouverture ou la fermeture du débit d'air.

La vanne, si non pilotée, passe graduellement de la position fermée en position ouverte à une pression minimale de 2 bars et atteint les conditions de plein débit dès que la pression minimale est de 3,5 bars.

Notez que si la pression tombe à 2 bars environs, le clapet se ferme automatiquement. Donc en cas de panne, les parties du réseau non directement concernées par la perte sont maintenues avec une pression minimale égale à cette valeur.

La pression à l'intérieur du tube est toujours disponible à la sortie "pilot pressure". Grace à un simple dispositif pneumatique ou électro-pneumatique vous pouvez diriger cette pression vers le "closing port" pour obtenir la fermeture immédiate de la vanne.

### FR Funcionamiento

La válvula es normalmente cerrada y utiliza la presión del circuito para abrir y cerrar el flujo de aire comprimido.

Si no está pilotada, con una presión mínima de 2 bar la válvula se abre de inmediato. La válvula estará totalmente abierta cuando la presión llega a los 3,5 bar.

Si la presión cae por debajo de los 2 bar la válvula se cierra automáticamente. Esta es la presión mínima que permanece en las secciones de tubería no afectadas por el fallo.

La presión de la tubería está siempre disponible en la salida de la "presión de pilotaje". Utilizando un deflector neumático o electroneumático es posible fluir esta presión hacia el cierre en modo de cerrar la válvula inmediatamente.

### ES Funcionamento

A válvula está normalmente fechada e utiliza a pressão da rede para abrir e fechar o fluxo de ar comprimido.

Se não for pilotada com uma pressão mínima de 2 bar, a válvula comuta da posição aberta para a posição fechada espontaneamente. A válvula é completamente aberta com uma pressão de rede de cerca de 3,5 bar.

Se a pressão descer abaixo de 2 bar a válvula automaticamente fecha. Esta é a pressão mínima que permanece em seções da rede não afetadas por falha.

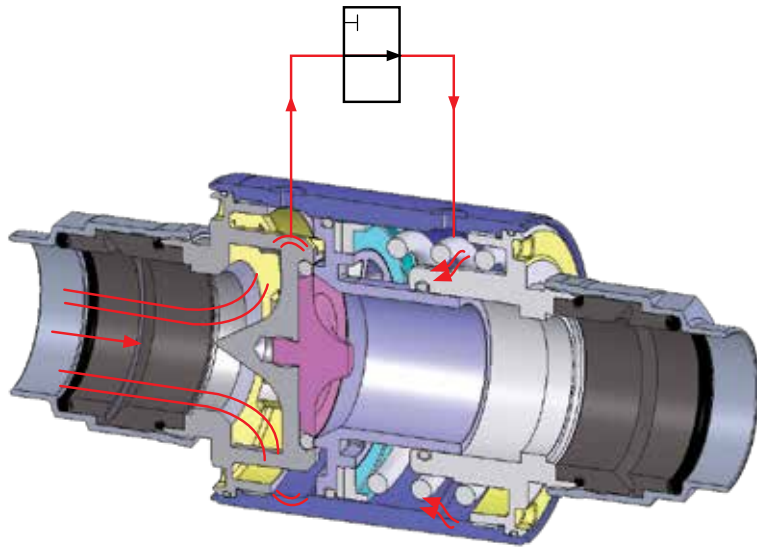
A pressão de rede está sempre disponível na saída "Pilot Pressure" (Pressão Piloto).

Usando um defletor pneumático ou eletro-pneumático é possível direcionar esta pressão para a conexão "Closing Port" (Via de Fechamento), de maneira a fechar a válvula imediatamente.

### PT

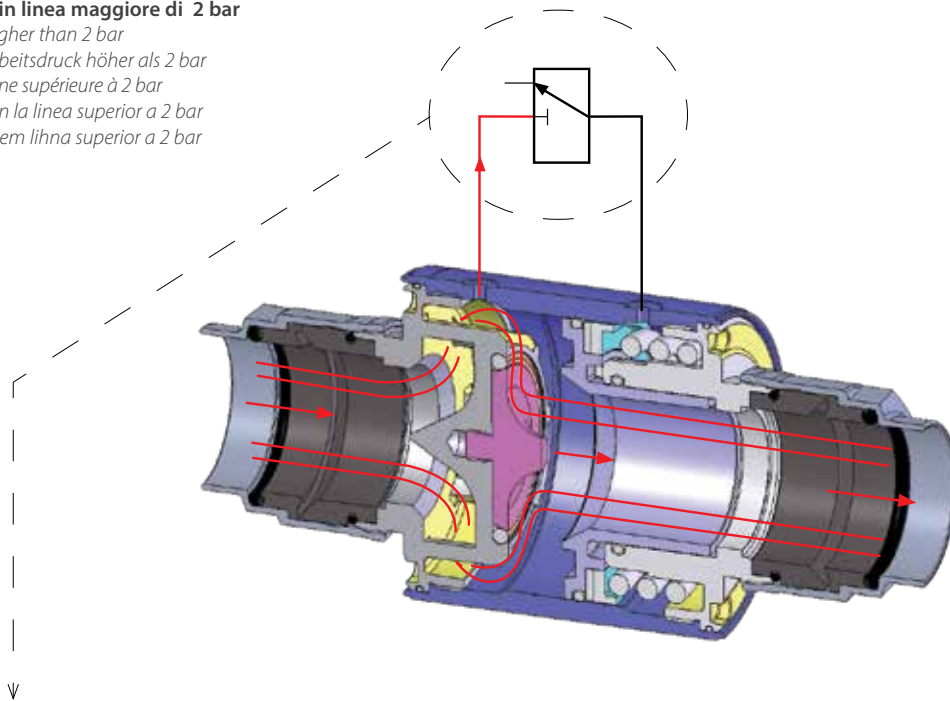
**Valvola chiusa**

Closed Valve  
Geschlossenes Ventil  
Vanne fermée  
Válvula cerrada  
Válvula fechada



**Valvola aperta con pressione in linea maggiore di 2 bar**

Open valve with inline pressure higher than 2 bar  
Offene Ventile mit einem Inline-Arbeitsdruck höher als 2 bar  
Vanne ouverte avec pression en ligne supérieure à 2 bar  
Válvula abierta con una presión en la línea superior a 2 bar  
Válvula aberta com uma pressão em linha superior a 2 bar



**MICROVALVOLE PER ATTUATORE DA PANNELLO**

MICROVALVE FOR PANEL MOUNTING ACTUATOR  
STÖSSEL - MIKROVENTIL, SCHALTAFELEINBAU  
MICRODISTRIBUTEUR À POUSSOIR, MONTAGE EN PANNEAU  
MICROVÁLVULA PARA ACTUADORES DE PANEL  
MICRO-VÁLVULA PARA ATUADOR DE PAINEL



**SELETORE A CHIAVE**

KEY SELECTOR  
SCHLÜSSELSCHALTER  
BOUTON TOURNANT, À CLÉ  
SELECTOR DE LLAVE  
SELETOR COM CHAVE



+

Codice Code Nummer Code Código Código	Vie Wege Voies Vias Vias	Funzione Funktion Fonction Función Funções	Misura Size Größe Dimension Medida Tamanho	Pack.
02V D0 3 NC B5	3/2	NC	M5	1

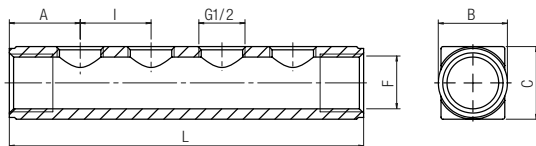
Codice Code Nummer Code Código Código	Colore Color Farbe Couleur Colores Cores	Funzione Funktion Fonction Función Funções	Posizione estrazione chiave Position to pull the key out Schlüsselabnahme Retrait de clé Posición extracción llave Posição de retirada da chave	Pack
04V 03 0 00 02	■	0 - 1	Ambedue - Both position Beide - Les deux Ambas posiciones - Ambas as posições	1

## 90790

### RIPARTITORE DIRITTO 4 VIE IN OTTONE

4 WAYS NICKEL PLATED BRASS DISTRIBUTION MANIFOLD  
 VERTEILERBLOCK 4-FACH MESSING  
 NOURRICE DE DISTRIBUTION 4 SORTIES EN LAITON  
 REGLETA SIMPLE 4 SALIDAS DE LATÓN  
 DISTRIBUIDOR QUADRUPLA EM LATÃO

Code	F	A	B	C	L	I	Pack.	
90790 00 001	3/4	1/2	25	31	34	164	38	1
90790 00 002	1"	1/2	30	37.5	37	174	38	1
90790 00 003	1"-1/4	1/2	30	47	50	210	50	1



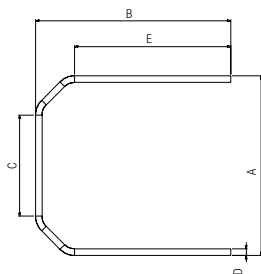
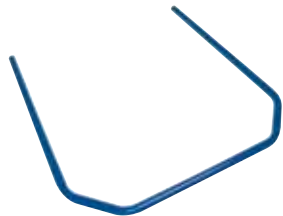
## 90805

### TUBO EVITA OSTACOLI A U

"U" TUBE TO AVOID OBSTACLES  
 VORGEBOGENE ROHRE FORM U  
 TUBE PRÉ-CINTRÉ EN U  
 TUBO EVITA OBSTÁCULO "U"  
 TUBO PARA DESVIO DE OBSTÁCULOS EM "U"

Code	D	A	B	C	E	Pack.
90805 00 11 Y9 B5	20	690	753	394	605	1

**Fino ad esaurimento scorta**  
 Until the end stock  
 Nur solange vorrat  
 Livrable jusqu'à épuisement du stock  
 Hasta fin de stock  
 Até fim do stock



## 90806

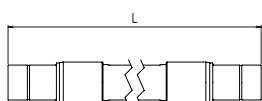
### TUBO FLESSIBILE RACCORDATO

FLEXIBLE HOSE CONNECTED  
 FLEXIBLEN SCHLAUCH ANGESCHLOSSEN  
 TUBE FLEXIBLE RACCORDÉ  
 MANGUEIRA FLEXÍVEL CONECTADA  
 MANGUEIRA FLEXÍVEL CONECTADA

Code	Tube	Lunghezza (Mt.) Length (Mt.) Länge (Mt.) Long (Mt.) Longitud (Mt.) Comprimento (Mt.)							Pack.
		Ø	0.75	1	1.5	2	2.5	3	
90806	020	0750	1000	-	2000	-	-	-	1
90806	025	-	1000	-	2000	-	-	-	1
90806	032	-	1000	-	2000	-	3000	-	1
90806	040	-	1000	-	2000	-	3000	-	1
90806	050	-	-	1500	-	2500	-	3500	1
90806	063	-	-	1500	-	2500	-	3500	1

	min	max
Temperature	- 30 °C	+ 80 °C
Pressure	-	+ 20 bar (2.0 MPa)



# 90808

**ISO 4414**

Code

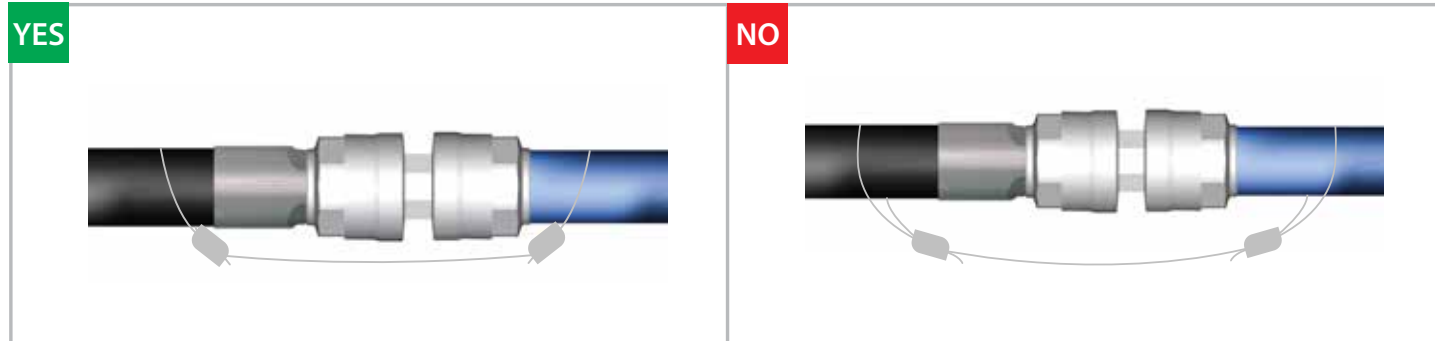
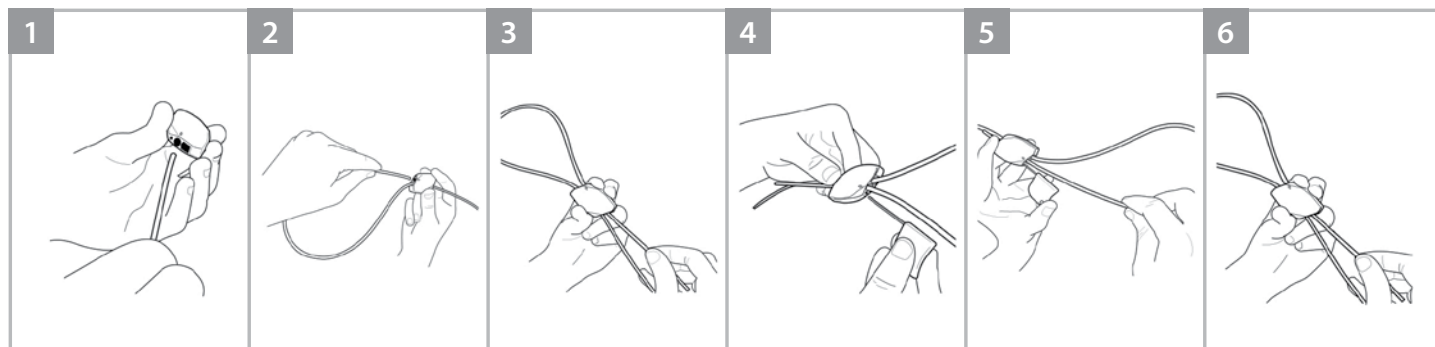
90808 00 001

Pack.

1

**KIT DI SICUREZZA PER 90806**

SAFETY KIT FOR 90806  
 SICHERHEITS-KIT FÜR 90806  
 KIT DE SÉCURITÉ POUR 90806  
 KIT DE SEGURIDAD PARA 90806  
 KIT DE SEGURANÇA PARA 90806

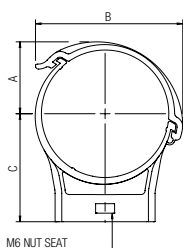


# 90815

**COLLARE IN TECNOPOLIMERO CON DADO M6**

COLLAR MADE IN TECNOPOLYMERIC WITH M6 NUT  
 ROHRBEFESTIGUNG TECHNOPLASTER + MUTTER M6  
 COLLIER DE FIXATION EN THERMOPLASTIQUE AVEC ECROU M6  
 COLLAR EN TECNOPOLIMERO CON TUERCA M6  
 SUPORTE TIPO ABRAÇADEIRA EM TECNOPOLÍMERO COM PORCA M6

Code	Tube	A	B	C	Pack.
90815 00 001	20	15	35.5	26	5
90815 00 002	25	17	39.5	26	5
90815 00 003	32	20	44.5	40	5
90815 00 004	40	24.5	53.5	40	5
90815 00 005	50	30	62	54	5
90815 00 006	63	36	73.5	54	5

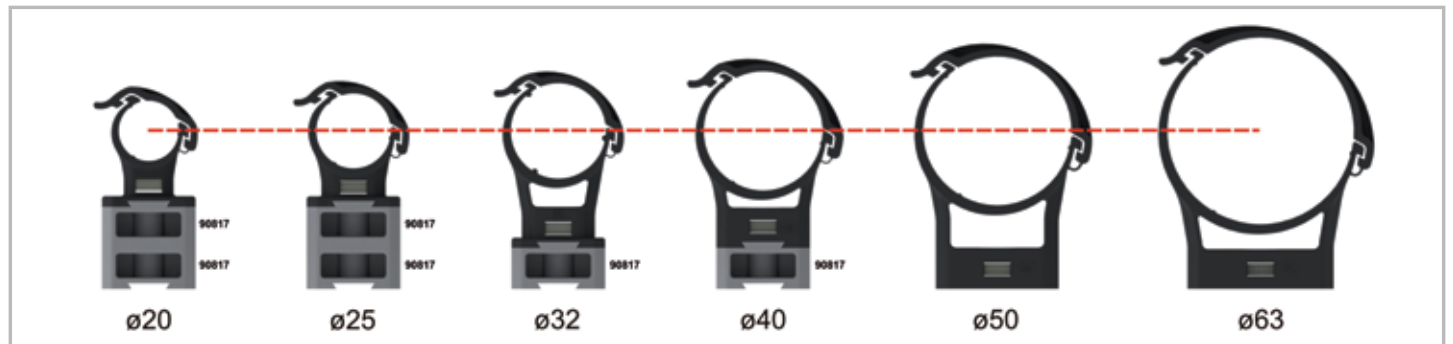
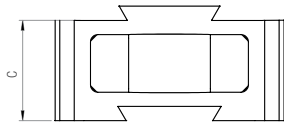


## 90817

### DISTANZIALE PER COLLARE 90815 IN TECNOPOLIMERO

SPACER FOR COLLARS 90815 MADE IN TECHNO-POLYMERIC  
 ADAPTER FÜR ROHRBEFESTIGUNG TECHNO-POLYMER 90815  
 CALE D'ADAPTATION POUR COLLIER DE FIXATION 90815  
 DISTANCIAL PARA COLLAR 90815 EN TECNOPOLÍMERO  
 ESPAÇADOR PARA SUPORTE ABRAÇADEIRA 90815 EM TECNOPOLÍMERO

Code	C	Pack.
90817 00 001	14	5

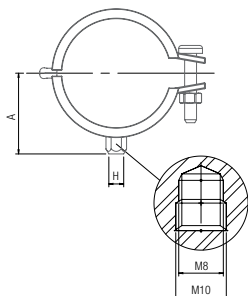


## 90820

### COLLARE IN ACCIAIO

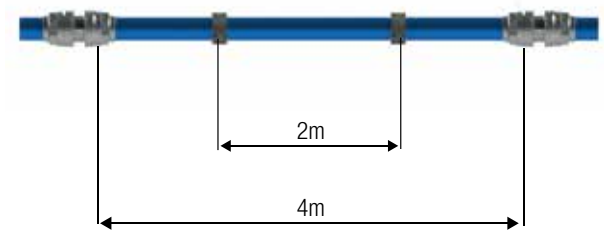
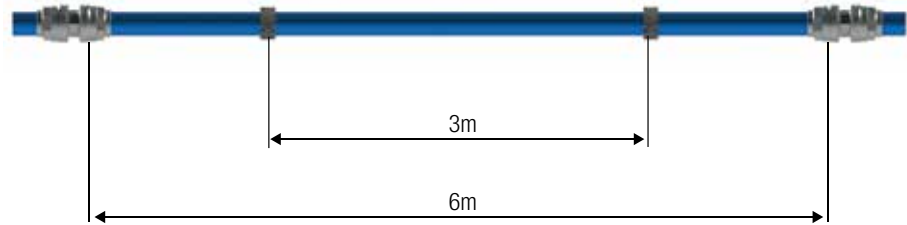
COLLAR MADE IN STEEL  
 ROHRBEFESTIGUNG AUS STAHL  
 COLLIER DE FIXATION  
 COLLAR EN ACERO  
 SUPORTE TIPO ABRAÇADEIRA EM AÇO

Code	Tube	H	A	Pack.
90820 00 001	20	M8 / M10	36	5
90820 00 002	25	M8 / M10	38	5
90820 00 003	32	M8 / M10	42	5
90820 00 004	40	M8 / M10	47	5
90820 00 005	50	M8 / M10	52	5
90820 00 006	63	M8 / M10	56	5
90820 00 007	80	M8 / M10	64	4
90820 00 008	110	M8 / M10	79	2
90820 00 009	168	M10 / M12	114	2



**POSIZIONAMENTO COLLARI - COLLAR POSITIONS - POSITIONIERUNG DER BEFESTIGUNGEN**  
 POSITIONS DES COLLIERS - POSICIONAMENTO COLLARES - POSICIONAMENTO DOS SUPORTES

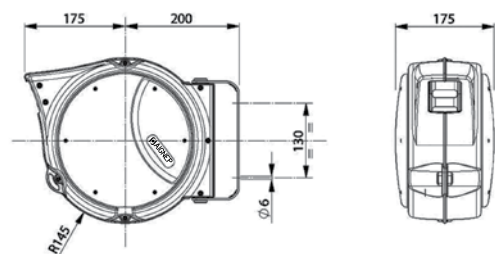
<p><b>Montaggio 90820</b></p> <ul style="list-style-type: none"> <li>L'installatore deve seguire tutti i codici nazionali e locali per appendere un sistema di tubazioni.</li> <li>Aignep raccomanda il seguente supporto per il sistema di tubazioni Infinity.</li> </ul>	<p><b>IT</b></p> <p><b>Assembling 90820</b></p> <ul style="list-style-type: none"> <li>The installer must follow all the national and local codes for securing the piping system</li> <li>Aignep suggests the below collar positioning to secure Infinity pipes.</li> </ul>	<p><b>GB</b></p> <p><b>Zusammenbau 90820</b></p> <ul style="list-style-type: none"> <li>Der Installateur muss alle nationalen und örtlichen Vorschriften zur Sicherung des Rohrsystems beachten.</li> <li>Aignep empfiehlt die folgende Positionierung der Rohrbefestigungen zur Sicherung von Infinity Rohren.</li> </ul>	<p><b>DE</b></p>
<p><b>Assemblage 90820</b></p> <ul style="list-style-type: none"> <li>L'installateur doit suivre les réglementations et directives nationales pour sécuriser le système de tuyauterie</li> <li>Aignep recommande le support ci-dessous pour le système Infinity</li> </ul>	<p><b>FR</b></p> <p><b>Montaje 90820</b></p> <ul style="list-style-type: none"> <li>El instalador debe seguir todos los códigos nacionales y locales para asegurar un sistema de tuberías.</li> <li>Aignep recomienda el siguiente sistema de soporte de los tubos Infinity.</li> </ul>	<p><b>ES</b></p> <p><b>Montagem 90820</b></p> <ul style="list-style-type: none"> <li>O instalador deve seguir todas as normas nacionais e locais para garantir a segurança do sistema de tubulações.</li> <li>A Aignep recomenda o distanciamento abaixo entre os suportes da tubulação Infinity.</li> </ul>	<p><b>PT</b></p>

<p><b>Tubo da 4 m</b>          Tube 4 m          Rohr 4 m          Tube 4 m          Tubo de 4 m          Tubo de 4 m</p>	
<p><b>Tubo da 6 m</b>          Tube 6 m          Rohr 6 m          Tube 6 m          Tubo de 6 m          Tubo de 6 m</p>	

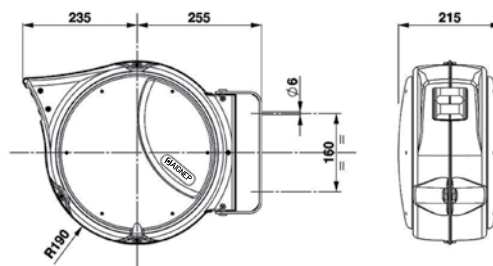
**AVVOLGITUBO**

 HOSE REEL  
 SCHLAUCHAUFROLLER  
 ENROULEURS  
 RECOGETUBOS  
 MANGUEIRAS

Code: 90825 00 001 9+1



Code: 90825 00 003 15+1



	90825 00 001 9+1	90825 00 003 15+1
Tubo poliuretano Polyurethane tube Rohr Polyurethan Tube polyuréthane Tubo poliuretano Tubo poliuretano	Ø INT. 8mm (5/16") Ø EXT. 12mm	Ø INT. 10mm Ø EXT. 14mm
Lunghezza tubo (m) Tube length (m) Rohr Länge (m) Longueur de tube (m) Longitud tubo (m) Comprimento de tubo (m)	9+1	15+1
Pressione massima Max pressure Max. Druck Pressions maximale Presión máxima Máx. Press.	15 bar (1.5 MPa)	
Temperatura Temperature Temperatur Température Temperatura Temperatura	- 5 °C + 40 °C	
Raccordo in uscita Outlet fitting Anschluss beim Ausgang Raccordement amont Conector de salida Conexão de saída	1/4 M	3/8 M

	90825 00 001 9+1	90825 00 003 15+1
Raccordo in entrata Inlet fitting Anschluss beim Eingang Raccordement aval Conector de entrada Conexão de entrada	NO	
Spezzone ingresso Cut down size tube Länge des Eingangsrohres Longueur du tube en amont Extremo del tubo Comprimento de entrada	1.5 m	
Aria Air Luft Air Aire Ar	SI	
Conf. Pack. Verp. Cond. Embalaje Embal.	390x330x230 mm Kg 4.5	500x450x255 mm Kg 8.0
Portata a 6 bar 6 bar flow rate Durchflusswert bei 6 bar Débit à 6 bar Caudal a 6 bar Vazão a 6 bar	450 NI/min	610 NI/min

IT

- Staffa di fissaggio metallica orientabile
- Dispositivo automatico di arresto del tubo alla lunghezza desiderata. Questo dispositivo è facilmente disinseribile, qualora si voglia il tubo costantemente in trazione.

GB

- Metal swivel fixing bracket
- Automatic device to stop tube at chosen length. This device is easy to disconnect whenever you may need tube in constant traction.

DE

- Drehbarer Metallbügel
- Mit einer Verriegelungsvorrichtung um das Rohr bei der gewünschten Länge zu stoppen. Dieses Gerät kann leicht demontiert werden, um einen gleichmäßigen Zug auf dem Rohr zu haben.

FR

- Embase métallique pivotante
- Equipé d'un dispositif de blocage du tuyau à la longueur souhaitée. Ce dispositif peut être facilement démonté afin d'obtenir une traction constante sur le tuyau.

ES

- Soporte de metal para fijar.
- Dispositivo automático para detener el tubo y elegir el largo

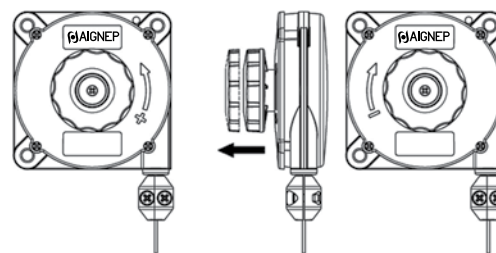
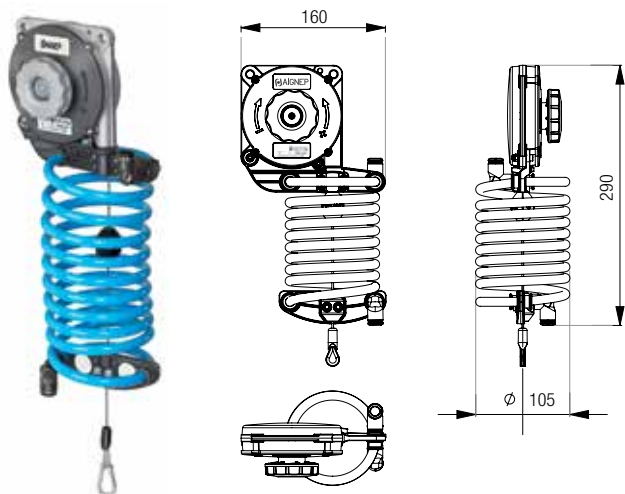
PT

- Suporte de fixação metálico orientável
- Dispositivo automático de parada de tubo na posição desejada. Este dispositivo é facilmente desconectado, quando se necessita do tubo em constante tração.

**BILANCIATORE CON TUBO SPIRALATO**

BALANCER WITH COILED TUBING  
 FEDERZUG MIT SPIRALROHR  
 ENROULEUR ÉQUILIBREUR AVEC TUBE SPIRALÉ  
 BALANCEADOR CON TUBO EN ESPIRAL  
 ALACIM CON TUBO ESPIRALADO

**Code: 90826**



**Regolazione del carico**  
 Adjusting the load  
 Einstellen der Last  
 Réglage de la charge  
 Ajuste de la carga  
 Ajuste da carga

	90826 00 001	90826 00 002	90826 00 003
<b>Portata (Kg)</b> Capacity (Kg) Kapazität (Kg) Capacité (Kg) Caudal (Kg) Vazão (Kg)	0.4 ÷ 1	1 ÷ 2	2 ÷ 3
<b>Cavo in acciaio</b> Stainless steel rope Stahlseil Câble en acier Cable de acero inoxidable Cabo de aço inoxidável		Ø 2 mm	
<b>Corsa cavo</b> Stroke rope Hublänge Course Longitude cable Largura cabo		1600 mm	
<b>Tubo PA12</b> Tube Rohr Tube Tubo Tubo		Ø INT. 8 mm (5/16") Ø EXT. 10 mm	
<b>Pressione massima</b> Max pressure Druckbereich max Pressions maximale Presión máxima Máx. Press.		10 bar (1 MPa)	

	90826 00 001	90826 00 002	90826 00 003
<b>Raccordo entrata - uscita</b> Inlet-outlet fitting Anschluss IN - OUT Connexion IN - OUT Conexiones entrada - salida Conexão de saída - entrada		<b>Raccordo automatico Ø 10</b> Push-in fitting Ø 10 Steckverschraubungen Ø 10 Raccords instantanés Ø 10 Raccordaje automático Ø 10 Conexões Push-in Ø 10	
<b>Spezzone ingresso</b> Cut down size tube Anpassung Adaptable Extremo del tubo Comprimento de entrada		1 m	
<b>Aria</b> Air Luft Air Aire Ar		SI	
<b>Conf.</b> Pack. Verp. Cond. Embalaje Embal.		1	

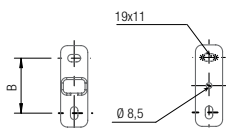
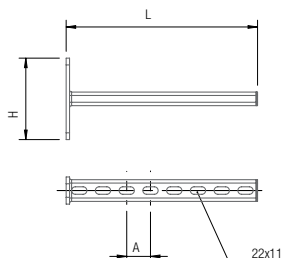


**90830**

**MENSOLA**

BRACKET  
HALTERUNGSSCHIENE  
RAIL DE FIXATION  
SOPORTE  
SUPORTE

Code	A	B	H	L	Pack.
90830 00 001	35	81	120	280	1

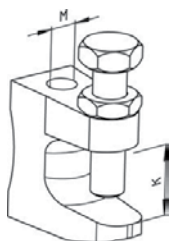


**90860**

**MORSETTO**

CLAMP HANGER  
KLEMMEN MIT BOHRUNG  
PINCE A VISSER  
BRIDA DE SUJECCIÓN (AGUJERO PASANTE)  
SUPORTE DE FIXAÇÃO

Code	M	K	Pack.
90860 00 001	Ø9	18	5

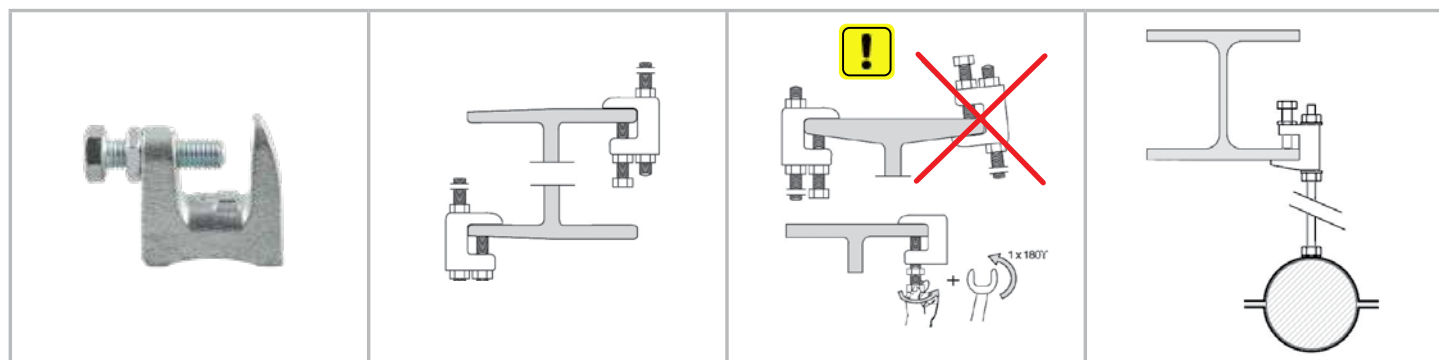
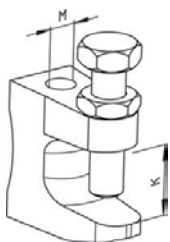


**90861**

**MORSETTO FILETTATO**

THREADED CLAMP HANGER  
KLEMMEN MIT GEWINDE  
PINCE A VISSER  
BRIDA DE SUJECCIÓN (AGUJERO ROSCADO)  
SUPORTE DE FIXAÇÃO ROSCADO

Code	M	K	Pack.
90861 00 001	M8	18	5



## 90870

### TAGLIATUBO

PIPE CUTTER  
ROHRABSCHNEIDER  
COUPE-TUBE  
CORTATUBOS  
CORTADOR DE TUBO



Code		Pack.
90870 00 001	20 - 63	1
90870 00 002	50 - 110	1
90870 00 003	110 - 168	1

## 90876

**New**

### CHIAVE PER CHIAVE DINAMOMETRICA

TORQUE SPANNER  
DREHMOMENTSPANNER  
ANNEAU DE SERRAGE TORQUE  
SEPARADOR DE PAR  
ESPAÇADOR DE TORQUE



Code	D	CH	KEY BOX	Pack.
90876 00 001	20	30	3/8	1
90876 00 002	25	35	3/8	1
90876 00 003	32	45	1/2	1
90876 00 004	40	55	1/2	1
90876 00 005	50	65	3/4	1
90876 00 006	63	70	3/4	1
Alluminio - Aluminium - Aluminium - Aluminium - Aluminio - Aluminio				
90876 00 005 A	50	68	3/4	1
90876 00 006 A	63	75	3/4	1

## 90880

### SBAVATORE TUBO

DE-BURRER  
ROHRENTGRATER  
OUTIL D'ÉBAVURAGE  
DESBARBADOR  
DESASTADOR DE TUBOS

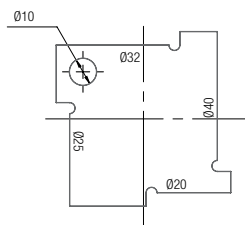


Code		Pack.
90880 00 001	20 - 25 - 32 - 40	1

## 90885

### DIMA SEGNA TUBO

DIMA MARK TUBE  
 MARKIERUNGSWERKZEUG  
 GABARIT DE MARQUAGE  
 MARCATUBO  
 GUIA PARA CORTE DE TUBO



Code	Pack.
90885 00 001	20 - 25 - 32 - 40 1

## VAL01

### VALIGETTA ESPOSITIVA

DÉMO CASE  
 DEMONSTRATIONSKOFFER  
 COFFRE DE DÉMONSTRATION  
 MALETA EXPOSITOR  
 MALETA EXPOSITORA



Code	Pack.
VAL01	1

## VAL03

### VALIGETTA KIT UTENSILI INFINITY

TOOLS KIT INFINITY CASE  
 WERKZEUGKOFFER  
 COFFRE D'OUTILLAGE  
 MALETA KIT ÚTILES INFINITY  
 MALETA FERRAMENTAS



Code	Pack.
VAL03	1

**90889**

Code

Pack.

90889 00 001

10

**ETICHETTA ADESIVA INFINITY VACUUM**

*LABEL INFINITY VACUUM*

*AUFKLEBER - VAKUUM*

*ETIQUETA VACÍO*

*ETIQUETA ADESIVA VACUO*

*ETIQUETA ADESIVA INFINITY VÁCUO*



**SCARICO CONDENSA**

CONDENSED DRAIN  
 ABLASSVENTIL  
 VIDANGE  
 VACIADO  
 DRENAGEM

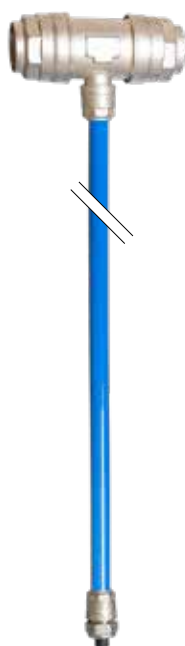
ESEMPLI DI APPLICAZIONI - APPLICATIONS EXAMPLE - BEISPIELE FÜR ANWENDUNGEN  
 EXEMPLES D'APPLICATIONS - EJEMPLO DE APLICACIÓN - EXEMPLOS DE APLICAÇÕES

90259



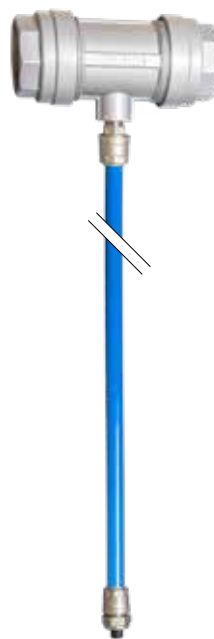
90030 - 20 1/2  
 90975 - 1/2  
 90985  
 CON310001  
 SOL20024C500

90259



90260 - 20

90250  
 90010 - 20 1/2



90260 - 20

90259

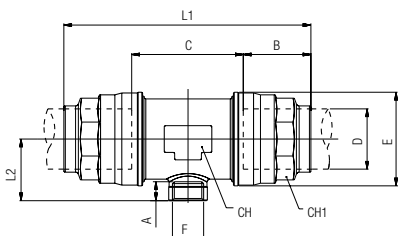


90010 - 20 1/2  
 90986 - 1/2

**90250**

**RACCORDO DI SCARICO CONDENSA FEMMINA**

FEMALE FITTING WITH CONDENSE EXHAUST INCORPORATED  
 ANSCHLUSS MIT INTEGRIERTEM KONDENSATABLASS INNENGEWINDE  
 TÉ FEMELLE FILETÉE, SANS RÉTENTION DES CONDENSATS  
 RACOR EN T PARA PURGA DE CONDENSADOS HEMBRA  
 CONEXÃO PARA DRENAGEM DE CONDENSADO (ROSCA FÊMEA)



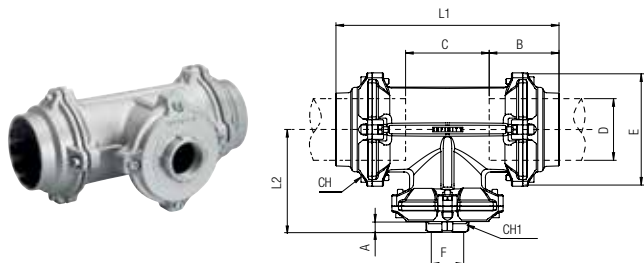
Code	D	F	A	B	C	E	L1	L2	CH	CH1	Pack.
Alluminio - Aluminium - Aluminium - Aluminium - Aluminium - Aluminium											
90250 00 017 A	63	1/2	13.5	57.5	88	94	203	53	80	75	1

## 90250 Ø 80-110-168

### RACCORDO DI SCARICO CONDENSA FEMMINA

FEMALE FITTING WITH CONDENSE EXHAUST INCORPORATED  
 ANSCHLUSS MIT INTEGRIERTEM KONDENSATABLASS INNENGEWINDE  
 TÉ FEMELLE FILETÉE, SANS RÉTENTION DES CONDENSATS  
 RACOR EN T PARA PURGA DE CONDENSADOS HEMBRA  
 CONEXÃO PARA DRENAGEM DE CONDENSADO (ROSCA FÊMEA)

Code	D	F	A	B	C	E	L1	L2	CH	CH1	Pack.
90250 00 002	80	3/4	14.5	91	109	145	291.5	138	6	42	1
90250 00 001	110	3/4	14.5	125.5	150.5	200	401	180	8	42	1
90250 00 021	168	3/4	14.5	194	235	306	623	275	10	41.5	1



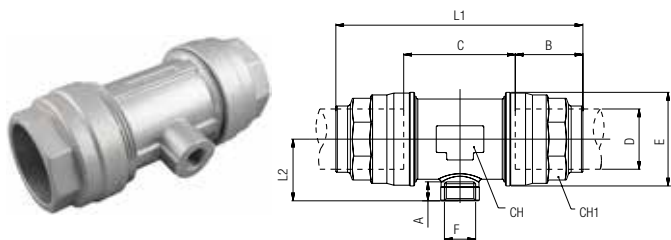
## 90251

**NPTF**

### RACCORDO DI SCARICO CONDENSA FEMMINA

FEMALE FITTING WITH CONDENSE EXHAUST INCORPORATED  
 ANSCHLUSS MIT INTEGRIERTEM KONDENSATABLASS INNENGEWINDE  
 TÉ FEMELLE FILETÉE, SANS RÉTENTION DES CONDENSATS  
 RACOR EN T PARA PURGA DE CONDENSADOS HEMBRA  
 CONEXÃO PARA DRENAGEM DE CONDENSADO (ROSCA FÊMEA)

Code	D	F(NPTF)	A	B	C	E	L1	L2	CH	CH1	Pack.
Alluminio - Aluminium - Aluminium - Aluminium - Aluminium - Alumínio											
90251 00 017 A	63	1/2	13.5	57.5	88	94	203	53	80	75	1



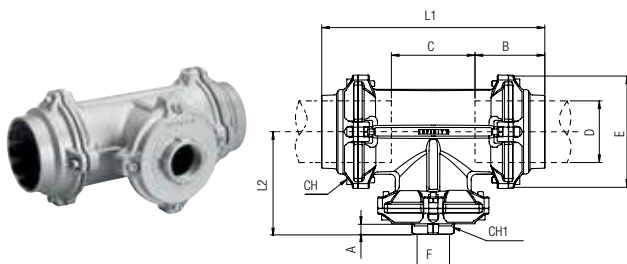
## 90251 Ø 80-110

**NPTF**

### RACCORDO DI SCARICO CONDENSA FEMMINA

FEMALE FITTING WITH CONDENSE EXHAUST INCORPORATED  
 ANSCHLUSS MIT INTEGRIERTEM KONDENSATABLASS INNENGEWINDE  
 TÉ FEMELLE FILETÉE, SANS RÉTENTION DES CONDENSATS  
 RACOR EN T PARA PURGA DE CONDENSADOS HEMBRA  
 CONEXÃO PARA DRENAGEM DE CONDENSADO (ROSCA FÊMEA)

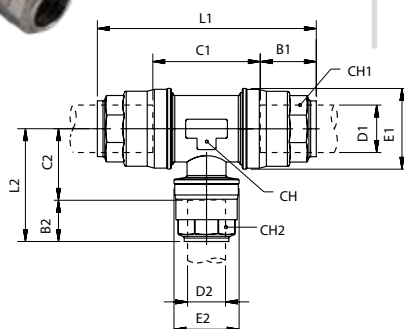
Code	D	F(NPTF)	A	B	C	E	L1	L2	CH	CH1	Pack.
90251 00 002	80	3/4	14.5	91	109	145	291.5	138	6	42	1
90251 00 001	110	3/4	14	91	109	145	400	180	6	42	1



## 90259

### RACCORDO DI SCARICO CONDENZA

FITTING WITH CONDENSE EXHAUST INCORPORATED  
ANSCHLUSS MIT INTEGRIERTEM KONDENSATABLASS  
TÉ, SANS RÉTENTION DES CONDENSATS  
RACOR EN T PARA PURGA DE CONDENSADOS  
CONEXÃO PARA DRENAGEM DE CONDENSADO



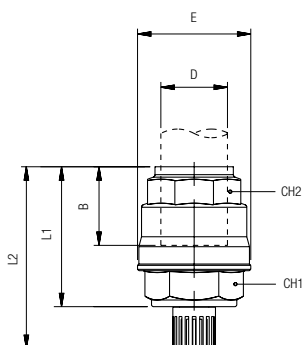
Code	D1	D2	B1	B2	C1	C2	E1	E2	L1	L2	CH	CH1	CH2	Pack.
90230 00 001	20	20	31.5	31.5	34.5	22.5	34.5	34.5	98	54.5	21	30	30	3
90259 00 002	25	20	46	31.5	54.5	31.5	52	34.5	146.5	63	45	45	30	2
90259 00 003	32	20	46	38	54.5	31.5	52	42.5	146.5	70	45	45	35	1
90259 00 004	40	20	52.5	31.5	60	34.5	63	34.5	165.5	66	55	55	30	1
*90259 00 005	50	20	52.5	38	60	34.5	63	42.5	165.5	73	55	55	35	1
<b>Alluminio - Aluminium - Aluminium - Aluminium - Aluminium - Alumínio</b>														
90259 00 005 A	50	20	58.5	33	105	57	84	40	222	90	69	68	30	1
90259 00 006 A	63	20	57.5	33	87.5	64.5	94	40	205.5	97	80	75	30	1

**\*Fino ad esaurimento scorta**  
\*Until the end stock  
\*Nur solange vorrat  
\*Livvable jusqu'à épuisement du stock  
\*Hasta fin de stock  
\*Ate fim do stock

## 90260

### RACCORDO DI SCARICO CONDENZA

FITTING WITH CONDENSE EXHAUST INCORPORATED  
ANSCHLUSS FÜR KONDENSATABLASS  
PURGE DES CONDENSATS  
RACOR CON PURGA DE CONDENSADOS  
CONEXÃO PARA DRENAGEM DE CONDENSADO



Code	D	B	E	L1	L2	CH1	CH2	Pack.
90260 00 001	20	36	34.5	52.5	67	32	30	2
*90260 00 003	32	46	52	67.5	82	38	45	2
*90260 00 005	50	63.5	73	86.5	101	55	65	1
*90260 00 006	63	59	92	84	98.5	65	70	1

**\*Fino ad esaurimento scorta**  
\*Until the end stock  
\*Nur solange vorrat  
\*Livvable jusqu'à épuisement du stock  
\*Hasta fin de stock  
\*Ate fim do stock

## 90986

### SCARICO CONDENZA

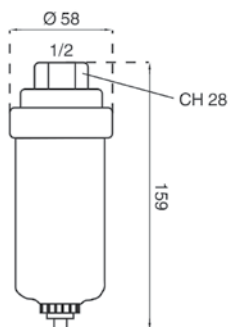
CONDENSE DRAIN  
KONDENSATABLASS  
PURGE DE CONDENSATION  
PURGA DE CONDENSADO  
DRENO DE CONDENSADO



90986 00 001  
MANUAL/SEMI-AUTO



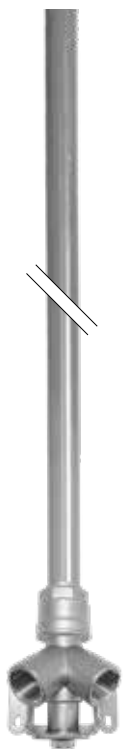
90986 00 002  
AUTOMATIC



Code	F	Funzione Function Funktion Fonction Función Funções	Pack.
90986 00 001	1/2	MANUAL/SEMI-AUTOMATIC	1
90986 00 002	1/2	AUTOMATIC	1

**CALATA INOX PER AMBIENTE ALIMENTARE**

DROP SYSTEM FOR FOOD ENVIRONMENT  
 ABGANG AUS INOX FÜR DIE LEBENSMITTELINDUSTRIE  
 DESCENTE INOX POUR SECTEUR ALIMENTAIRE  
 BAJANTE PARA AMBIENTE ALIMENTARIO  
 DESCIDA EM AÇO-INOX PARA AMBIENTE ALIMENTÍCIO



**Il tubo viene fornito già con sede per aggraffaggio, se il tubo venisse accorciato, utilizzare l'incisore (90872X) per creare la nuova sede.**

*The tube is supplied with crimping seat. If tube is cut, use the crimping tool (90872X) to create the new seat.*

*Das Rohr wird an beiden Enden mit einer vorgefertigten Rille geliefert. Bei Verwendung des Rohrschneiders (90872X) können Rillen an beliebigen Orten geschnitten werden.*

*Le tube est déjà fourni avec une rainure de sertissage, si vous devez couper le tube, utilisez le graveur (90872X) pour créer un nouvel emplacement.*

*El tubo se suministra con ranura para sistema de agarre. Si se corta el tubo, utilizar el grabador (90872X) para crear la nueva ranura.*

*O tubo é fornecido com uma sede para encaixe da conexão. Caso o tubo seja cortado, deverá ser utilizada a ferramenta (90872X) para a criação de uma nova sede no tubo.*

**9000X602000**  
**90660X0001**

**9000X - 6 m**

**TUBO - INOX 316L**  
 INOX 316L - TUBES  
 INOX 316L - ROHRE  
 TUBE - INOX 316L  
 TUBO - INOX 316L  
 TUBO - INOX 316L

color:

**GRIGIO-INOX**  
 GRAY-INOX  
 GRAU-INOX  
 GRIS-INOX  
 GRIS-INOX  
 CINZA-INOX



Code	Ø	Spessore Thickness Dicke Epaisseur Espesor Espessura	Pressioni Pressures Druckbereich Pressions Presiones Pressões	Peso Weight Gewicht Poids Peso Peso	Lunghezza Length Länge Long Longitud Comprimento	Pack.
	mm	mm	bar	g/m	m	
<b>9000X 60 20 00</b>	<b>20</b>	1	16	447	6 m	8



**90660X**



Code	D	F	B	C	E	L1	L2	L3	Lmin	Lmax	CH	Pack.
90660 X0 001	20	1/2	31.5	34.5	34.5	31	66	37.5	22	54	30	2

**RIPARTITORE 2 VIE INCLINATO ATTACCO TUBO - FEMMINA - INOX 316L**

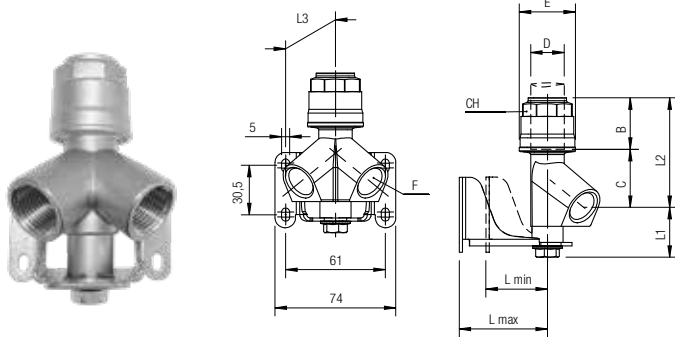
2 WAYS INCLINED MANIFOLD TUBE-FEMALE - INOX 316L

WANDANSCHLUSS 2-FACH MIT ROHRANSCHLUSS 45° - INOX 316L

PRISE MURALE, 2 SORTIES FEMELLES 45° - INOX 316L

REPARTIDOR A 2 VÍAS INCLINADO CONEXIÓN TUBO-HEMBRA - INOX 316L

SAÍDA DE AR DUPLA INCLINADA TUBO-ROSCA FÊMEA - INOX 316L



**66069**



Code	A	B	DN	CH	L	G	H	Pack.
66069 00 001	1/2	1/2	15	26.5	65	110	55	1

**VALVOLA A SFERA MASCHIO G ISO 228 - FEMMINA G ISO 228 - INOX 316L**

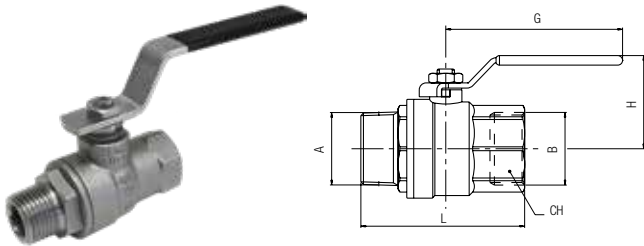
BALL VALVE MALE G ISO 228 - FEMALE G ISO 228 - INOX 316L

KUGELHAHN, AUSSENGEW. G ISO 228 - INNENGEW. G ISO 228 - INOX 316L

ROBINET, FILETAGE G ISO 228 - TARAUDAGE G ISO 228 - INOX 316L

VÁLVULA A ESFERA MACHO G ISO 228 - HEMBRA G ISO 228 - INOX 316L

VÁLVULA DE ESFERA ROSCA MACHO G ISO 228 - ROSCA FÊMEA G ISO 228 - INOX 316L



**Fluidi compatibili**

Aria compressa / Vuoto / Gas / Acqua

**Fluids**

Compressed air / Vacuum / Gas / Water

**Geeignete Medien**

Druckluft / Vakuum / Gase / Wasser

**Fluides compatibles**

Air comprimé / Vide / Gaz / Eau

**Fluidos compatibles**

Aire comprimido / Vacío / Gases / Agua

**Fluidos compatíveis**

Ar comprimido / Vácuo / Gases / Água

**Materiali e Componenti**

IT

**Component Parts and Materials**

GB

- 1 Corpo AISI 316L
- 2 Guarnizione sede sfera in PTFE
- 3 Guarnizione: FKM
- 4 Sfera AISI 316L

- 1 AISI 316L Body
- 2 PTFE Seats
- 3 Stem Seal: FKM
- 4 AISI 316L Ball

**Komponenten und Materialien**

DE

**Matériaux et Composants**

FR

- 1 Körper AISI 316L
- 2 Kugelsitzdichtung PTFE
- 3 Spindeldichtung: FKM
- 4 Kugel AISI 316L

- 1 Corps: AISI 316L
- 2 Joint de forme: PTFE
- 3 Joint de tige: FKM
- 4 Bille: AISI 316L

**Materiales y Componentes**

ES

**Materiais e Componentes**

PT

- 1 Cuerpo AISI 316L
- 2 Junta sede esfera PTFE
- 3 Junta eje: FKM
- 4 Esfera AISI 316L

- 1 Corpo AISI 316L
- 2 Vedação da sede da esfera em PTFE
- 3 Vedação da haste: FKM
- 4 Esfera AISI 316L

**DIAGRAMMA PRESSIONE-TEMPERATURA**

PRESSURE-TEMPERATURE RATINGS DIAGRAM

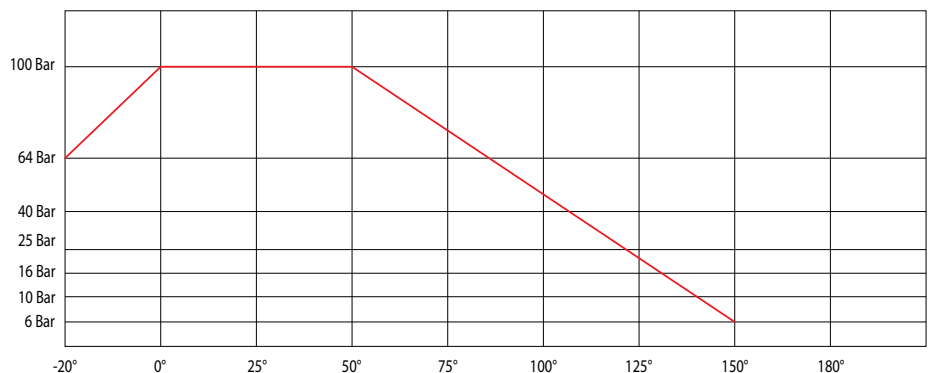
DRUCK-TEMPERATUR DIAGRAMM

DIAGRAMME PRESSION / TEMPÉRATURE

DIAGRAMA PRESIÓN-TEMPERATURA

DIAGRAMA PRESSÃO-TEMPERATURA

PTFE



## 63190

### PRESA MASCHIO "UNIVERSAL SHORT"

MALE SOCKET "UNIVERSAL SHORT"

KUPPLUNG MIT AUSSENGEWINDE "UNIVERSAL SHORT"

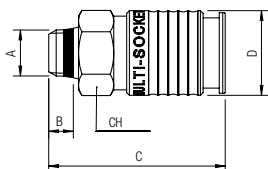
COUPLEUR MÂLE "UNIVERSAL SHORT"

ENCHUFE MACHO "UNIVERSAL SHORT"

SOQUETE COM ROSCA MACHO TIPO "UNIVERSAL SHORT"



Code	A	B	C	D	CH	Pack.
63190 00 004	1/2	9	52	24	21	2



## 63260 DN 7.8

### INNESTO PROFILO EUROPEO MASCHIO "UNIVERSAL SHORT"

MALE PLUG EUROPEAN PROFILE "UNIVERSAL SHORT"

STECKER MIT AUSSENGEWINDE "UNIVERSAL SHORT" - EUROPEAN

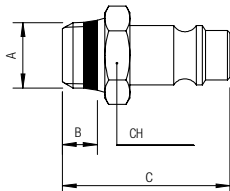
EMBOUT MÂLE "UNIVERSAL SHORT" - PROFIL EUROPEEN

ADAPTADOR PERFIL EUROPEO MACHO "UNIVERSAL SHORT"

PLUG COM PERFIL EUROPEU E ROSCA MACHO TIPO "UNIVERSAL SHORT"



Code	A	B	C	D	CH	Pack.
63260 00 002	1/4	7	33.5	-	17	2
63260 00 003	3/8	7.5	34	-	19	2
63260 00 004	1/2	9	36	-	24	2



## 63262 DN 7.8

### INNESTO PROFILO EUROPEO FEMMINA

FEMALE PLUG EUROPEAN PROFILE

STECKER MIT INNENGEWINDE - EUROPEAN

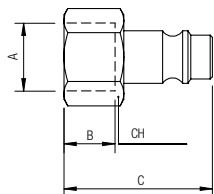
EMBOUT FEMELLE - PROFIL EUROPEEN

ADAPTADOR PERFIL EUROPEO HEMBRA

PLUG COM PERFIL EUROPEU E ROSCA FÊMEA



Code	A	B	C	D	CH	Pack.
63262 00 44 03 00	1/4	11	33	-	17	2
63262 00 44 04 00	3/8	11.5	33.5	-	19	2
63262 00 44 05 00	1/2	15	37	-	24	2



## 90872X

### INCISORE TUBO

ENGRAVER TUBE  
GRAVEUR TUBE  
TUBE DE GRAVEUR  
TUBO DE GRABADOR  
TUBO DE GRAVADOR



Code	Ø	Pack.
90872 X0 001	20	1

#### Dimensioni zona aggraffaggio tubi metallici per raccordi automatici

Clamping point dimensions on metallic tubes for push-in fittings

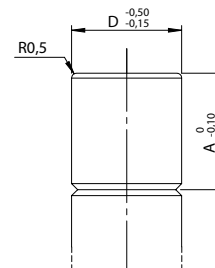
Klemmpunktabmessungen für metallische Rohren

Dimensions zone d'aggraffage tubes métalliques

Dimensiones punto de sujeción para tubos metálicos

Dimensões ponto de fixação para tubos metálicos

Ø	A
20	14.5



## 90873X

### LAMA DI RICAMBIO PER 90872X

SPARE BLADE 90872X  
ERSATZKLINGEN FÜR 90872X  
LAMES DE RECHANGE POUR 90872X  
CUCHILLA DE RECAMBIO PARA 90872X  
LÂMINA DE REPOSIÇÃO PARA 90872XX



Code	Pack.
90873 X0 001	1

## VALVOLA DI SCARICO CONDENSA

CONDENSED DRAIN VALVE  
 ABLASSVENTIL  
 ROBINET DE VIDANGE  
 VÁLVULA DE VACIADO  
 VÁLVULA DE DRENAGEM



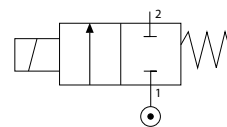
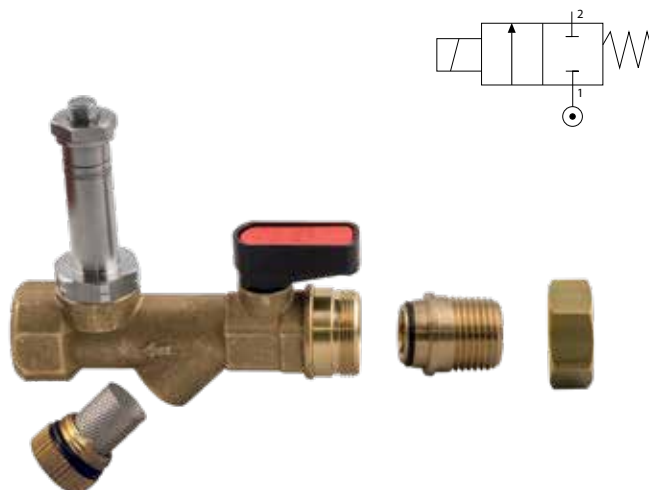
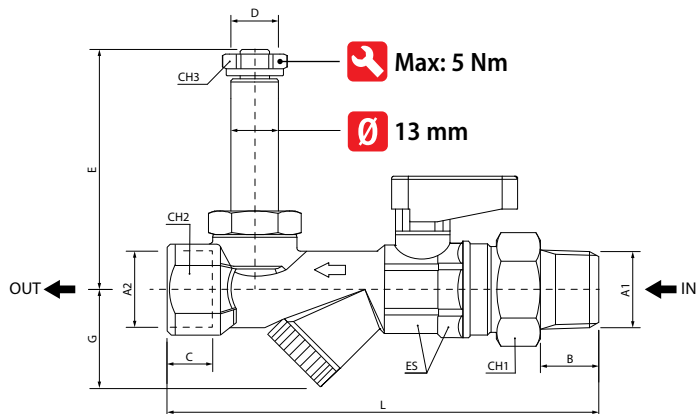
Materiali e Componenti	IT	Materials and Components	GB	Materialien und Komponenten	DE
1 Corpo: Ottone CW617N 2 Tenute: NBR 3 Tubo guida: Acciaio Inox 4 Nucleo fisso e mobile: Acciaio Inox AISI 430FR 5 Molle: Acciaio Inox		1 Body: Brass CW617N 2 Seals: NBR 3 Welded armature tube: Stainless steel 4 Fixed and mobile core: Stainless steel AISI 430FR 5 Springs: Stainless steel		1 Körper: Messing CW617N 2 Dichtung: NBR 3 Führungsrohr: Edelstahl 4 Kern: Edelstahl AISI 430FR 5 Feder: Edelstahl	
Matériaux et Composants	FR	Materiales y componentes	ES	Materiais e Componentes	PT
1 Corps: Laiton CW617N 2 Joints: NBR 3 Tube de pilotage: Acier inox 4 Noyau: Acier inox AISI 430FR 5 Ressort: Acier inox		1 Cuerpo: Latón CW617N 2 Juntas: NBR 3 Tubo guía: Acero inox 4 Núcleo fijo y móvil: Acero inox AISI 430FR 5 Muelle: Acero inox		1 Corpo: Latão CW617N 2 Vedações: NBR 3 Tubo Guia: Aço-inox 4 Núcleo fixo e móvel I: Aço-inox AISI 430FR 5 Mola: Aço-inox	

 <p><b>Pressione massima ammissibile</b>                      Maximum allowable pressure                      Max. Betriebsdruck                      Pression de service max.                      Presión máxima admisible                      Pressão máxima admissível</p> <p><b>40 bar</b></p>	 <p><b>Grado di filtrazione</b>                      Degree of filtration                      Abscheidegrad                      Degré de filtration                      Grado de filtración                      Grau de filtração</p> <p><b>500 µm</b></p>	 <p><b>Temperatura ambiente con bobine in classe H</b>                      Room temperature with coil class H                      Raumtemperatur, mit Spule der Klasse H                      Température ambiante, avec bobine classe H                      Temperatura ambiente con bobina clase H                      Temperatura ambiente com bobina de classe H</p> <p><b>- 10 °C                      + 80 °C</b></p>
 <p><b>Nipplo conico orientabile (3 pezzi)</b>                      Taper nipple (3 pieces)                      Doppelnippel konisch einstellbar (3 stück)                      Mamelon double (3 pièces)                      Machón cónico orientable (3 piezas)                      Niple orientável com rosca cônica (3 partes)</p>	 <p><b>Temporizzatore analogico</b>                      Analog timer                      Timer analog                      Temporisation analogique                      Temporizador analogico                      Temporizador analógico</p>	 <p><b>Valvola a sfera manuale</b>                      Manual ball valve                      Kugelhähne manuelles                      Robinet a boisseau sphérique manuel                      Válvulas a esfera manual                      Válvulas de esfera manual</p>

Materiale tenuta Sealing materials Dichtungsmaterialien Matériaux d'étanchéité Materiales de sellado Materiais de vedação	Temperatura Temperature Temperatur Température Temperatura Temperatura		Fluidi Fluids Flüssigkeiten Fluides Fluidos Fluidos
	min	max	
<b>NBR</b>	<b>-10°C</b>	<b>+90°C</b>	Aria, gas inerti, acqua, oli minerali, gasolio, oli combustibili Air, inert gas, water, mineral oils, gas oil, fuel oils Luft, Edelgase, Wasser, Mineralöle, Diesel, Heizöl, Kraftstoffe Air, gas neutres, eau, huiles minerales, diesel, mazout Aire, gas inerte, agua, aceites minerales, gasóleo, fueloil Ar, gases inertes, água, óleos minerais, gasóleo, óleos combustíveis

**2/2 NC**

**3/8" - 1/2"**



Code	Conessioni Connections Verbindungen Connexions Conexiones Conexões		Materiale tenute Sealing materials Dichtungswerkstoffe Matériau joint Material juntas Material das vedações	Ø Orifizio Ø Orifice Ø Dn Ø Passage Ø Orificio Ø Orificio	Viscosità Viscosity Viskosität Viscosité Viscosidad Viscosidade	Kv  m <sup>3</sup> /h	Pressione differenziale (OPD) Differential pressure (OPD) Differenzdruck (OPD) Pression différentielle (OPD) Presión diferencial (OPD) Pressão diferencial (OPD)			Potenza Power Leistung Puissance Potência		Bobine Coils Spulen Bobines Bobinas Bobinas					
	A1	A2					Bar			DC	AC		Size				
							Min	Max DC	Max AC	W	VA		mm				
90975 00 004 90976 00 004	3/8"	1/2"	NBR -10°C +90°C	3	53	0.21	0	10	21	8	14	30					
												16	30	14	21	30	
												40	40	22	31	36	
90975 00 005 90976 00 005	1/2"	1/2"											10	21	8	14	30
													16	30	14	21	30
													40	40	22	31	36

Temporizzatore non incluso (Cod. 90985/90987) - Timer not included - Timer nicht inklusive - Timer non incluse - Temporizador no incluido - Timer não incluído

Bobina non inclusa - Coil not included - Magnetspulen separat - Bobines non incluse - Bobina no incluida - Bobinas não incluídas

Code (Gas)	A1	A2	B	C	D	CH1	CH2	CH3	L	E	ES	G	Pack.
90975 00 004	3/8"	1/2"	11.5	12	13	27	25	16	113.5	65.5	22 - 23	26.5	1
90975 00 005	1/2"	1/2"	16	12	13	27	25	16	117.5	65.5	22 - 23	26.5	1

**NPTF**


Code (NPTF)	A1	A2	B	C	D	CH1	CH2	CH3	L	E	ES	G	Pack.
90976 00 004	3/8"	1/2"	11.5	12	13	27	25	16	113.5	65.5	22 - 23	26.5	1
90976 00 005	1/2"	1/2"	16	12	13	27	25	16	117.5	65.5	22 - 23	26.5	1

## 90985

### TEMPORIZZATORE ANALOGICO DIN43650A

ANALOGUE TIMER DIN43650A  
 TIMER ANALOG DIN43650A  
 TIMER ANALOG DIN43650A  
 ANALÓGICO TEMPORIZADOR DIN43650A  
 TIMER ANALOG DIN43650A



Code	Voltage	Pack.
90985 00 001	24 - 240 AC/DC	1
	<b>min</b>	<b>max</b>
 <b>Temperature</b>	- 10 °C	+ 50 °C



**Caratteristiche**

Features

Features

Traits

Características

Recursos


- 50/60Hz
- IP65 - EN6052
- Output Corrent: 1 A Max
- 0.5 - 10 Sec. -> ON
- 0.5 - 45 Min. -> OFF
- Reset/Test

## 90987

### TEMPORIZZATORE DIGITALE DIN43650A

DIGITAL TIMER DIN43650A  
 DIGITALER TIMER DIN43650A  
 TIMER DIGITAL DIN43650A  
 DIGITAL TEMPORIZADOR DIN43650A  
 TIMER DIGITAL DIN43650A



Code	Voltage	Power consumption	Pack.
90987 00 001	7 - 36V AC/DC	20mA MAX	1
90987 00 002	110 - 240V AC/DC	10mA MAX	1
	<b>min</b>	<b>max</b>	
 <b>Temperature</b>	- 10 °C	+ 70 °C	



**Caratteristiche**

Features

Features

Traits

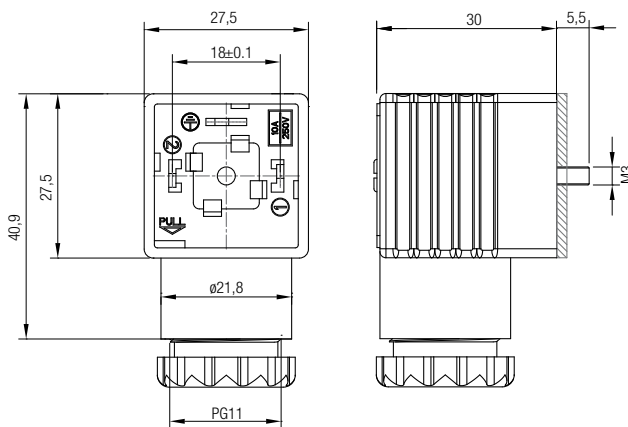
Características

Recursos

- Insulation Voltage: 100V AC - 1 minute
- Insulation Resistance: 50MΩ (500VDC)
- IP65 - EN6052
- Output Corrent: 1.5 A Max
- 1 Sec. - 100 Hours -> ON
- 1 Sec. - 100 Hours -> OFF
- 4 DIGIT: Mode/Add/Enter/Reset

# CONNETTORE

CONNECTOR  
STECKER  
CONNECTEURS  
CONECTOR  
CONECTOR



**Schema elettrico**

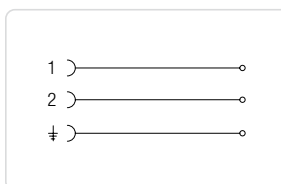
Wiring

Elektroschema

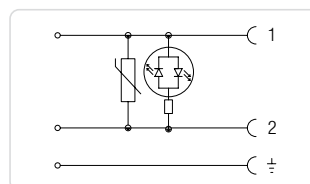
Schéma électrique

Esquema eléctrico

Esquema elétrico



**CON31 000 01**



**CON32 024 00  
CON32 110 00  
CON32 250 00**

Codice Code Nummer Code Código Código	Colore Colour Farbe Couleur Color Cor	Caratteristiche Characteristics Eigenschaften Caractéristiques Características Características	Taglia Size Grösse Dimensions Talla Tamanho
<b>CON31 000 01</b>	■	2 POLI - PINS - PINS - BROCHES - PINS - PINOS	30-36
<b>CON32 024 00</b>	□	LED + VDR 0 - 24V	30-36
<b>CON32 110 00</b>	□	LED + VDR 110V	30-36
<b>CON32 250 00</b>	□	LED + VDR 220V	30-36

■ **NERO**  
BLACK  
SCHWARZ  
NOIR  
NEGRO  
PRETO

□ **TRASPARENTE**  
TRANSPARENT  
TRANSPARENT  
TRANSPARENT  
TRANSPARENT  
TRANSPARENT

**GRADO DI PROTEZIONE**

DÉGREE OF PROTECTION  
SCHUTZART  
DEGRÉ DE PROTECTION  
GRADO DE PROTECCIÓN  
GRAU DE PROTEÇÃO

**IP65 IEC  
60529**

**DIAMETRO CAVO**

CABLE DIAMETER  
KABELDURCHMESSER  
DIAMÈTRE DU CABLE  
DIÁMETRO CABLE  
DIÂMÉTR DO CABO

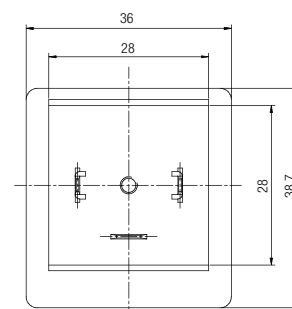
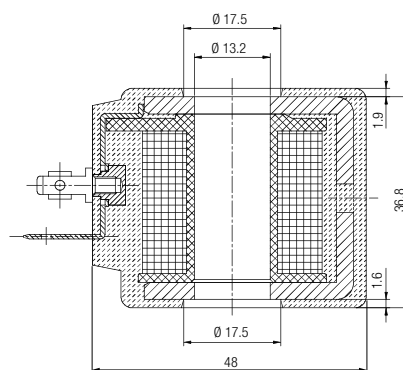
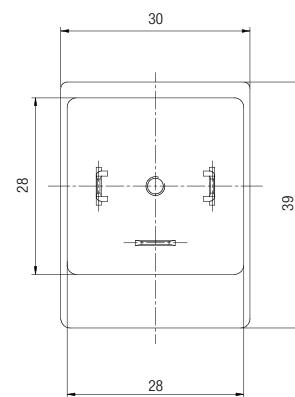
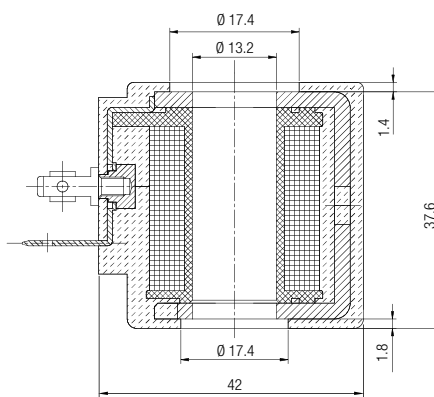
**6÷8 mm e  
8÷11 for size  
30-36mm**

**VDR:** Dotati di Varistore come dispositivo di protezione delle sovratensioni.

Fitted with varistors as surge protection device.  
Ausgestattet mit Varistor als Überspannungsschutz.  
Équipé avec varistance de protection contre les sur Tensions.  
Dotado de Varistor como dispositivo de protección de sobretensiones.  
Dotados de Varistor como dispositivo de proteção de sobretenção.

# SOLENOIDI

SOLENOIDS  
SPULEN  
BOBINES  
BOBINAS  
SOLENOÍDES



Codice Code Nummer Code Código Código	Diametro operatore Operator diameter Durchmesser Führungsrohr Diamètre tube de pilotage Diámetro operador Diâmetro do operador	Taglia Size Grösse Dimensions Talla Tamanho	Tensione Voltage Leistung Tension Tensión Tensão	Potenza Function Leistung Puissance Potencia Potência	Tensione Voltage Leistung Tension Tensión Tensão
SOL20 024 C 5 000	13	30	24V DC	8 w	48V AC
SOL20 024 C 6 000	13	30	24V DC	14 w	48V AC
SOL21 024 C 7 000	13	36	24V DC	22 w	
SOL20 024 A A 000	13	30	24V AC	14 VA	
SOL20 110 A A 000	13	30	110V AC	14 VA	
SOL20 220 A A 000	13	30	220V AC	14 VA	
SOL20 024 A B 000	13	30	24V AC	21 VA	
SOL20 110 A B 000	13	30	110V AC	21 VA	
SOL20 220 A B 000	13	30	220V AC	21 VA	110V DC
SOL21 024 A C 000	13	36	24V AC	31 VA	
SOL21 110 A C 000	13	36	110V AC	31 VA	
SOL21 220 A C 000	13	36	220V AC	31 VA	110V DC

**TOLLERANZE DI TENSIONE**

VOLTAGE TOLERANCE  
SPANNUNGSTOLERANZ  
TOLÉRENCE DE LA TENSION  
TOLERANCIA DE TENSIÓN  
TOLERÂNCIA DE TENSÃO

**±10 %**

**CLASSE DI ISOLAMENTO**

CLASS OF ISOLATION  
ISOLIERSTOFFKLASSE  
CLASSE D'ISOLATION  
CLASE DE AISLAMIENTO  
CLASSE DE ISOLAMENTO

**H CEI EN 60085**

**CICLO DI LAVORO**

DUTY RATE  
ARBEITSZYKLUS  
CYCLE DE SERVICE  
CICLO DE TRABAJO  
CICLO TRABALHO

**100 % ED**

**TERMINALI**

TERMINALS  
ANSCHLÜSSE  
CONNEXION  
TERMINALES  
TERMINAIS

**DIN 43650**

**GRADO DI PROTEZIONE**

DEGREE OF PROTECTION  
SCHUTZART  
DEGRÉ DE PROTECTION  
GRADO DE PROTECCIÓN  
GRAU DE PROTEÇÃO

**IP65 IEC 60529**

con connettore  
WITH CONNECTOR  
MIT STECKER  
AVEC CON-  
NECTEUR  
CON CONECTOR  
COM CONECTOR



**FILTRI PER ARIA COMPRESSA**

*FILTERS FOR COMPRESSED AIR*

*DRUCKLUFTFILTER*

*FILTRES POUR AIR COMPRI*

*FILTROS PARA AIRE COMPRIMIDO*

*FILTRO PARA AR COMPRIMIDO*



**Serie Infinity - Filters**

**FILTRI PER ARIA COMPRESSA**

FILTERS FOR COMPRESSED AIR  
 DRUCKLUFTFILTER  
 FILTRES POUR AIR COMPRIME  
 FILTRO PARA AIRE COMPRIMIDO  
 FILTRO PARA AR COMPRIMIDO



**CARATTERISTICHE TECNICHE**

TECHNICAL CHARACTERISTICS  
 TECHNISCHE ANGABEN  
 CARACTÉRISTIQUES TECHNIQUES  
 CARACTERÍSTICAS TÉCNICAS  
 CARACTERÍSTICAS TÉCNICAS



**Norma di Riferimento**

Reference standard

Entspricht der Norm

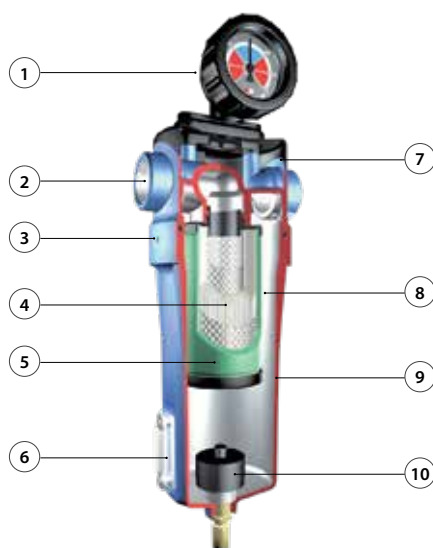
Norme de référence

Normativa de referencia

Norma de referència

87/404/CEE97/23CEPED

**FILTRO**  
 FILTER  
 FILTER  
 FILTRE  
 FILTRO  
 FILTRO



**CARTUCCIA FILTRANTE**  
 FILTERING CARTRIDGE  
 FILTERKARTUSCHE  
 CARTOUCHE DE FILTRATION  
 CARTUCHO FILTRANTE  
 ELEMENTO FILTRANTE



Materiali e Componenti	IT	Component Parts and Materials	GB	Komponenten und Materialien	DE
1 Manometro differenziale		1 Differential manometer		1 Differenzialdruckmanometer	
2 Attacco filettato BSP gas		2 Conexión BSP Gas		2 Gewindeanschluss BSP	
3 Foro di sicurezza		3 Security hole		3 Entlüftungsbohrung	
4 Materiale del filtro		4 Special material to filter		4 Filterelement	
5 Colore del filtro		5 Colours of filtering		5 Filterbeschaffenheit	
6 Indicatore di livello		6 Visual indicator of level		6 Füllstandsanzeige	
7 Installazione in spazio ridotto		7 Small installation space		7 Kompakte Bauart	
8 Fissaggio cartuccia con raccordo a baionetta		8 Fixtures and fittings with bayonet connection		8 Patronenbefestigung mit Bajonettverschluss	
9 Corpo filtro metallico per maggiore resistenza		9 Body filter injected smelting high resistance		9 Metallgehäuse für mehr Widerstand	
10 Scarico condensa manuale (automatico a richiesta)		10 Manual condensate drain (automatic on request)		10 Manuelle Kondensatableitung (automatisch auf Anfrage)	
Matériaux et Composants	FR	Materiales y Componentes	ES	Materiais e Componentes	PT
1 Manomètre différentiel		1 Manómetro diferencial		1 Manómetro Diferencial	
2 Taraudage gaz BSP		2 Conexión BSP Gas		2 Rosca de conexão BSP - gás	
3 Orifice de sécurité		3 Orificio de seguridad		3 Orifício de segurança	
4 Matériau filtrant		4 Material filtrante especial		4 Elemento Filtrante	
5 Couleur du filtre		5 Colores del cartucho		5 Cores do elemento	
6 Indicateur de niveau		6 Indicador visual de nivel		6 Indicador visual de nível	
7 Installation dans un espace réduit		7 Reducido espacio instalación		7 Espaço de instalação reduzido	
8 Fixation de cartouche avec raccord à baïonnette		8 Fijación cartucho sistema bayoneta		8 Fixação do elemento por sistema tipo baioneta	
9 Corps de filtre en métal pour une plus grande résistance		9 Cuerpo filtro fundición inyectada alta resistencia		9 Corpo do filtro em metal fundido de alta resistência	
10 Purge manuelle des condensats (automatique sur demande)		10 Descarga manual de condensado (automática a petición)		10 Dreno de condensado manual (automático a pedido)	



**Pressioni**

Pressures

Druckbereich

Pressions

Presiones

Pressões

- **0.99 bar** (-0.099 MPa)

**16 bar** (1.6 MPa)



**Portata da 1000 l/min a 22000 l/min**

Flow rate from 1000 l/min since 22000 l/min

Durchflussmenge von 1000 l / min bis 22000 l / min

Débit de 1000 l / min à 22000 l / min

Caudal de 1000 l/min hasta 22000 l/min

Vazões de 1000 l./min a 22.000 l./min.

**1/2 ÷ 2" 1/2**



**Temperature**

Temperatures

Temperatur

Températures

Temperaturas

Temperaturas

**+ 2 °C**

**+ 100 °C**

**+60 °C (Active carbon)**



**Principali vantaggi**

**Main advantages**

**Hauptvorteile**

- Facilità di montaggio, elemento ideale per separare la condensa dall'aria proveniente dal compressore prima del serbatoio e dell'essiccatore.
- Il livello di inquinamento di un edificio può raggiungere 150 milioni di particelle per m3 di aria. Quasi 80% di queste particelle sono più piccole di 2 micron e non viene trattenuto dai filtri del compressore.
- È molto importante scegliere il modello desiderato in base alle informazioni allegate.

- Easy to assembly, the perfect subject to separate condensates from compressor before entry in to the tank.
- The pollution degree in a factory can get to a 150 million of particles for cubic metric of air. Almost an 80% have a small dimension (less than 2µ micron) and they are not keep at filters of compressors.
- **It is very important to choose what you need according the information attached.**

- Absolut einfach zu montieren, ideal für getrennte Kondensate, zwischen Kompressor und Tankeingang.
- Die Luftverunreinigung beträgt durchschnittlich ca. 150 Millionen Teilchen/m3. Etwa 80% dieser Partikel sind so klein (weniger als 2µ Mikron), dass jene nicht von herkömmlichen Filtern abgefangen werden können und sich demnach weiterhin im Luftkreislauf befinden.
- **Für die optimale Lösung Ihrer Bedürfnisse, beachten Sie bitte die Informationen in diesem Katalog.**

**Principaux avantages**

**Principales ventajas**

**Principais vantagens**

- Facilité d'assemblage, élément idéal pour séparer la condensation de l'air provenant du compresseur avant le réservoir et séchoir.
- Le niveau de pollution d'un bâtiment peut atteindre 150 millions de particules par m3 d'air. Presque 80% de ces particules ont une dimension inférieure à 2 microns et elles ne sont pas retenues par les filtres du compresseur.
- **Il est très important de choisir le modèle recherché selon les informations ci jointes.**

- De fácil instalación, es el elemento ideal para separar los condensados de los compresores antes de entrar en el depósito acumulador o secador.
- El grado de contaminación de un ambiente industrial puede llegar a 150 millones de partículas por metro cúbico de aire. Aproximadamente un 80% tienen una dimensión inferior a 2 µ (micrón) y no es retenida en los filtros de aspiración de los compresores.
- **Es importante elegir el modelo adecuado a sus necesidades según descripción técnica adjunta.**

- De fácil instalação, é o elemento idea l para separar condensados da rede de ar ou ser montado antes do reservatório de ar comprimido ou secador.
- O grau de contaminação em um ambiente industrial pode chegar a 150 milhões de partículas por metro cúbico de ar. Aproximadamente 80% das partículas tem dimensão inferior 2 micra e não é retida nos ltros de aspiração dos compressores.
- **É importante escolher o modelo adequado às suas necessidades de acordo com as especificações técnicas abaixo.**



**Applicazione**

**Aplication**

**Anwendung**

- 1 All'uscita del compressore
- 2 Prima del refrigeratore
- 3 Prima il dispositivo di accumulolo

- 1 Exit compressor
- 2 Before refrigerador
- 3 Before accumulator tank

- 1 Ausgang Kompressor
- 2 Vor dem Trockner
- 3 Vor dem Druckluftspeicher

**Applications**

**Aplicación**

**Aplicação**

- 1 A la sortie du compresseur
- 2 Avant le système de refroidissement
- 3 Après le réservoir

- 1 Salida de compresores.
- 2 Antes de un refrigerador
- 3 Antes de un depósito acumulador

- 1 Saída do compressor
- 2 Antes de um secador
- 3 Antes de um reservatório de ar



**Corretta disposizione di una installazione di aria compressa**

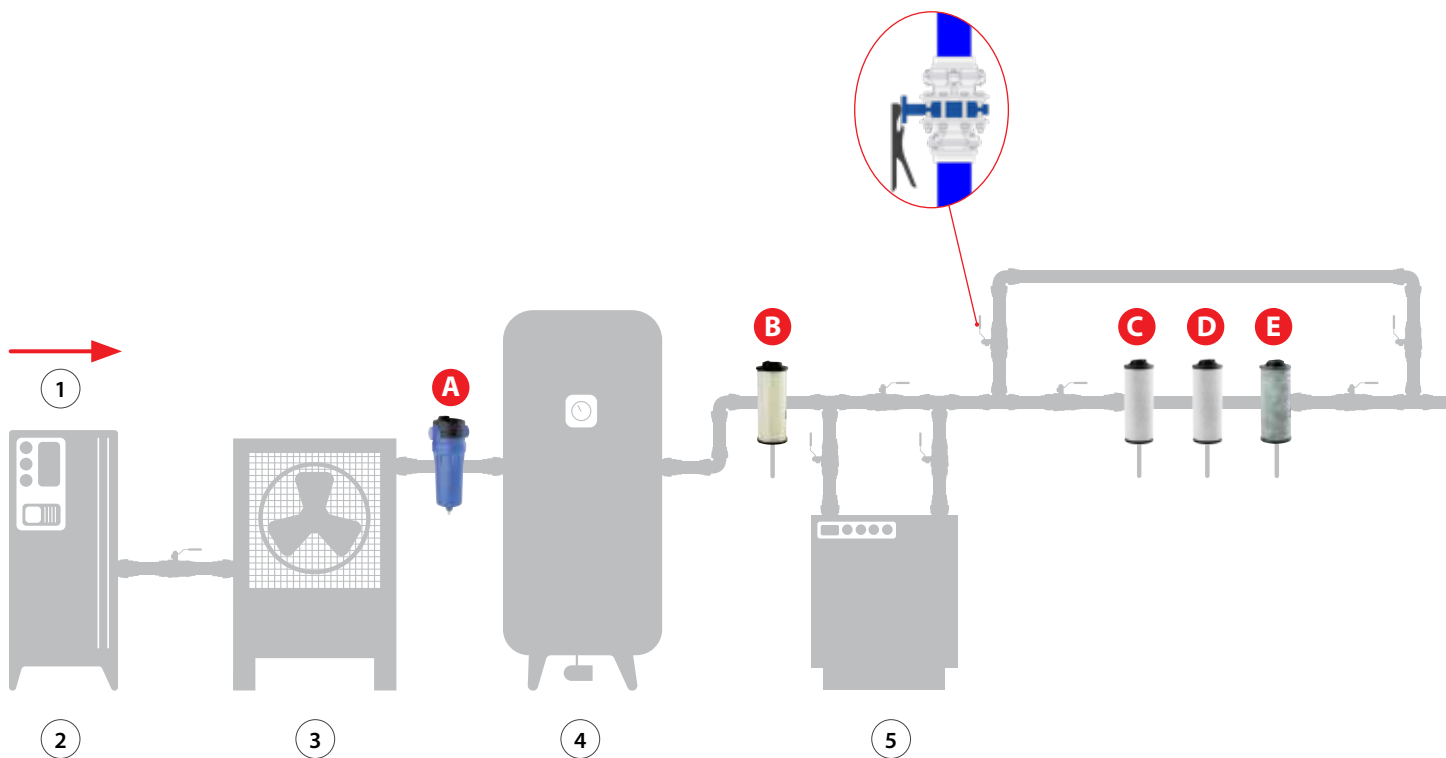
*This the correct situation to the air compressed installation*

*Richtige Reihenfolge der Druckluftaufbereitung*

*Disposition appropriée d'une installation d'air comprimé*

*Correcta disposición de una instalación de aire comprimido*

*Disposição correta de uma instalação de ar comprimido*



Posizionamento filtri	IT	Placing filters	GB	Positionieren Filter	DE
1 Aria		1 Air		1 Luftrichtung	
2 Compressore		2 Compressor		2 Kompressor	
3 Refrigeratore		3 Refrigerator		3 Trockner	
4 Deposito		4 Tank		4 Druckluftspeicher	
5 Essiccatore		5 Refrigerating dryer		5 Kältetrockner	
Posizionage des filtres	FR	Colocación de filtros	ES	Colocação de filtros	PT
1 Air		1 Aire		1 Fluxo de Ar	
2 Compresseur		2 Compresor		2 Compressor	
3 Réfrigérateur		3 Refrigerador		3 Aftercooler	
4 Réservoir		4 Depósito		4 Reservatório de ar Comprimido	
5 Sécheur		5 Secador frigorífico		5 Secador De Ar	

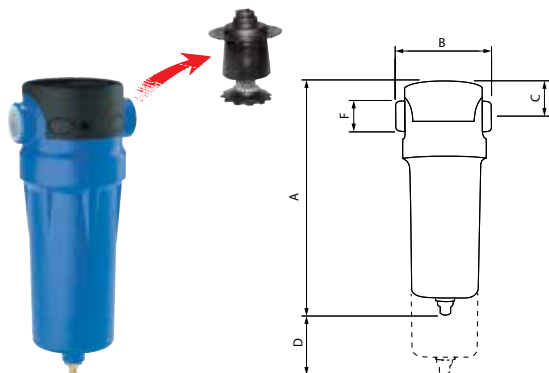
Esempio di installazione <i>Installation example Installationsbeispiel Exemple d'installation Ejemplo de instalación Exemplo de instalação</i>	Grado di filtrazione <i>Filtration grade Filtrationsgrad Degré de filtration grado de filtración Grau De Filtragem</i>	Norma di Riferimento <i>Reference standard Entspricht der Norm Norme de référence Normativa de referencia Norma de referència</i>	Qualità dell'aria <i>Quality of the air Luftqualität Qualité de l'air Calidad del aire Qualidade Do Ar</i>	Esempio di applicazione <i>Application example Anwendungsbeispiel Exemple d'application ejemplo aplicación Exemplos De Aplicação</i>	
 <b>90890</b>	<b>90890</b>  <b>Separatore di condensa</b> <i>Condensate separator Kondensatabscheider Séparateur de condense Separador condensados Separador De Condensado</i>	ISO 8573-1  Classe 5 <i>Class 5 Klasse 5 Classe 5 Clase 5 Classe 5</i>	<b>Esente da particelle solide e liquide fino a 25 µm</b> <i>Free of any solid or liquid particles up to 25 µm Frei von festen und flüssigen Partikeln bis 25 µm Exempt de particules solides et liquides jusqu'à 25 µm Exento de partículas sólidas y líquidas hasta 25 µm Isento de partículas sólidas e líquidas até 25 µm</i>	<b>Dopo il compressore, prima del serbatoio dell'aria</b> <i>Downstream of an air, upstream of an air tank Nach dem Kompressor - vor dem Druckluftspeicher Après le compresseur, avant le réservoir d'air Después de un compresor y antes del calderín Depois do compressor e antes do reservatório</i>	<span style="border: 1px solid red; border-radius: 50%; padding: 2px 5px; color: white; font-weight: bold;">A</span>
<b>AGGIUNGERE AL SEPARATORE IL FILTRO DESIDERATO COME NEL DETTAGLIO</b> ADD TO THE SEPARATOR TO CHOOSE FILTER AS PER FOLLOWING DETAILS WÄHLEN SIE DEN PASSENDEN FILTER ZUM KONDENSATABSCHIEDER WIE UNTEN AUFGELEISTET AJOUTER AU SÉPARATEUR LE FILTRE DÉSIRÉ COMME SUIT ANADIR AL SEPARADOR EL FILTRO DESEADO SEGUN EL SIGUIENTE DETALLE ADICIONARAO SEPARADOR O FILTRO DESEJADO CONFORME AS INFOMAÇÕES ABAIXO					
 <b>90900</b>	<b>Pre-filtro</b> <i>Pre filter Vorfilter Pré-filtre Pre-filtro Pré-Filtro</i>	ISO 8573-1  Classe 3 <i>Class 3 Klasse 3 Classe 3 Clase 3 Classe 3</i>	<b>Esente da particelle solide e liquide fino a 1 µm</b> <i>Free of any solid or liquid particles up to 1 µm Frei von festen und flüssigen Partikeln bis 1 µm Absence de particules solides et liquides jusqu'à 1 µm Exento de partículas sólidas y líquidas hasta 1 µm Isento de partículas sólidas e líquidas até 1 µm</i>	<b>Installazione pneumatiche - Prefiltro pompe di vuoto</b> <i>Pneumatic installations - Upstream of vacuum pumps Pneumatische Installationen - Vorfilter für Vakuumpumpen Installations Pneumatiques - Pré-filtre pour pompes à vide Instalaciones neumáticas - Prefiltro bombas vacío Instalações pneumáticas - Pré-filtro de bombas de vácuo</i>	<span style="border: 1px solid red; border-radius: 50%; padding: 2px 5px; color: white; font-weight: bold;">B</span>
 <b>90900</b> + <b>90910</b>	<b>Filtro fino</b> <i>Fine filter Feinfilter Filtre fin Filtro fino Filtro fino</i>	ISO 8573-1  Classe 2 <i>Class 2 Klasse 2 Classe 2 Clase 2 Classe 2</i>	<b>Esente da particelle solide e liquide fino a 0.1 µm</b> <b>Residuo d'olio 0.5 mg/m<sup>3</sup></b> <i>Free of any solid or liquid particles up to 0.1 µm Oil residuals 0.5 mg/m<sup>3</sup> Frei von festen oder flüssigen Partikeln bis zu 0.1 µm Öl Rückstände 0.5 mg/m<sup>3</sup> Absence de particules solides et liquides jusqu'à 0.1 µm Résidu d'huile 0.5 mg/m<sup>3</sup> Exento de partículas sólidas y líquidas hasta 0.1 µm Aceite residual 0.5 mg/m<sup>3</sup> Isento de partículas sólidas e líquidas até 0.1 µm Óleo residual 0.5 mg/m<sup>3</sup></i>	<b>Verniciature - Utensileria pneumatica</b> <b>Trasporti pneumatici - Motori ad aria compressa</b> <i>Painting systems - Pneumatic tooling Pneumatic transportation - Compressed air motors Pulverbeschichten - pneumatische Ausrüstung Fördertechnik - Druckluftmotoren Peinture - Outils pneumatiques Transport pneumatique - Moteurs à air comprimé Cabinas pintura - Herramienta Neumat Transporte Neumat - Motores Aire Comp Cabine de pintura - Ferramentas Pneumáticas Transporte Pneumático - Motores de Ar Comprimido</i>	<span style="border: 1px solid red; border-radius: 50%; padding: 2px 5px; color: white; font-weight: bold;">B</span> + <span style="border: 1px solid red; border-radius: 50%; padding: 2px 5px; color: white; font-weight: bold;">C</span>
 <b>90900</b> or <b>90910</b>	<b>Filtro microfine</b> <i>Microfine filter Mikrofeinfilter Filtre microfin Microfiltro Micro-filtro</i>	ISO 8573-1  Classe 1 <i>Class 1 Klasse 1 Classe 1 Clase 1 Classe 1</i>	<b>Esente da particelle solide e liquide fino a 0.01 µm</b> <b>Residuo d'olio 0.01 mg/m<sup>3</sup></b> <i>Free of any solid or liquid particles up to 0.01 µm Oil residuals 0.01 mg/m<sup>3</sup> Frei von festen oder flüssigen Partikeln bis zu 0.01 µm Öl Rückstände 0.01 mg/m<sup>3</sup> Absence de particules solides et liquides jusqu'à 0.01 µm Résidu d'huile 0.01 mg/m<sup>3</sup> Exento de partículas sólidas y líquidas hasta 0.01 µm Aceite residual 0.01 mg/m<sup>3</sup> Isento de partículas sólidas e líquidas até 0.01 µm Óleo residual 0.01 mg/m<sup>3</sup></i>	<b>Strumenti di misura - Cuscinetti pneumatici</b> <b>Robotica - Fluidodinamica</b> <i>Measuring instruments - Pneumatic bearing Robotics - Fluid Dynamics Messgeräte - Pneumatiklager Robotik - Fluidodynamik Instruments de mesure - Roulements pneumatiques Robotique - Dynamique des fluides Sist. Medida y Regul - Rolamentos pneumáticos Robótica - Fluidica Instrumentos de Medida - Rolamentos pneumáticos Robótica - Fluidica</i>	<span style="border: 1px solid red; border-radius: 50%; padding: 2px 5px; color: white; font-weight: bold;">B</span> O <span style="border: 1px solid red; border-radius: 50%; padding: 2px 5px; color: white; font-weight: bold;">C</span> + <span style="border: 1px solid red; border-radius: 50%; padding: 2px 5px; color: white; font-weight: bold;">D</span>
 <b>90900</b> or <b>90910</b>	<b>Filtro a carboni attivi</b> <i>Active carbons filter Aktivkohlenfilter Filtre à charbon actif Filtro de carbón activo Filtro De Carvão Ativado</i>	ISO 8573-1  Classe 1 <i>Class 1 Klasse 1 Classe 1 Clase 1 Classe 1</i>	<b>Esente da particelle solide e liquide fino a 0.01 µm</b> <b>Priva di vapori di olio</b> <i>Free of any solid or liquid particles up to 0.01 µm Oil odourless air and without any oil and streams Frei von festen und flüssigen Partikeln bis 0.01 µm frei von Öldämpfen Absence de particules solides et liquides jusqu'à 0.01 µm Sans vapeurs d'huile Exento de partículas sólidas y líquidas hasta 0.01 µm Aire inodoro y sin vapores de aceite Isento de partículas sólidas e líquidas até 0.01 µm Ar inodoro e sem vapores de óleo</i>	<b>Industria chimica - Farmaceutica - Ospedaliere</b> <b>Alimentare - Cinematografica - Aria respirabile</b> <i>Chemical Industry - Pharmaceuticals - Hospital Food business - Cinematographics - Breathing air Chemische Industrie - Pharmazie - Krankenhaus Lebensmittelgeschäft - Kinematographen - Atemluft Industrie chimique - Pharmaceutique - Médical Agroalimentaire - Cinématographique - Air respirable Industria Química - Farmacéutica - Hospitalaria Alimentaria - Cinematográfica - Aire respirable Indústria Química - Farmacêutica - Hospitalar Alimentícia - Cinematográfica - Ar Respirável</i>	<span style="border: 1px solid red; border-radius: 50%; padding: 2px 5px; color: white; font-weight: bold;">B</span> O <span style="border: 1px solid red; border-radius: 50%; padding: 2px 5px; color: white; font-weight: bold;">C</span> + <span style="border: 1px solid red; border-radius: 50%; padding: 2px 5px; color: white; font-weight: bold;">D</span> + <span style="border: 1px solid red; border-radius: 50%; padding: 2px 5px; color: white; font-weight: bold;">E</span>

## 90890

### SEPARATORE DI CONDENZA A CICLONE

CYCLONE TYPE CONDENSATE SEPARATOR  
KONDENSATABSCHEIDER  
SEPARATEUR DE CONDENSATS  
SEPARADOR CICLÓNICO DE CONDENSADOS  
SEPARADOR DE CONDENSADOS CICLÓNICO

Code	F	A	B	C	D	Flow Rate (l/min)	Pack.
90890 00 001	1/2	220	90	25	80	1000	1
90890 00 002	3/4	280	90	25	100	3000	1
90890 00 003	1"	305	120	37	120	5000	1
90890 00 004	1" 1/2	385	120	37	120	9500	1
90890 00 005	2"	500	165	54	150	16500	1
90890 00 006	2" 1/2	675	165	54	150	22000	1

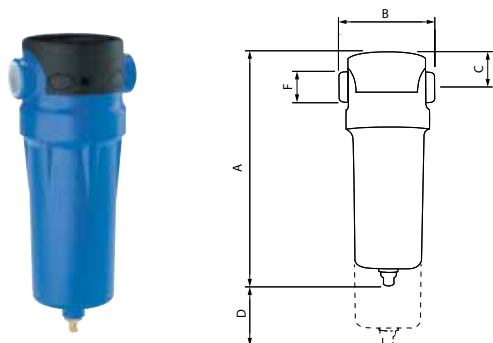


## 90900

### PRE-FILTRO 1 µm

PRE-FILTER 1 µm  
VORFILTER 1 µm  
PRE-FILTRE 1 µm  
PRE-FILTRO 1 µm  
PRÉ-FILTRO 1 µm

Code	F	A	B	C	D	Flow Rate (l/min)	Pack.
90900 00 001	1/2	220	90	25	80	1000	1
90900 00 002	3/4	280	90	25	100	3000	1
90900 00 003	1"	305	120	37	120	5000	1
90900 00 004	1" 1/2	385	120	37	120	10400	1
90900 00 005	2"	500	165	54	150	16500	1
90900 00 006	2" 1/2	675	165	54	150	22000	1



## 90905

### CARTUCCIA FILTRANTE 1 µm

SPARE PART FILTERING CARTRIDGE 1 µm  
ERSATZ-FILTERPATRONE 1 µm  
CARTOUCHE DE FILTRATION 1 µm  
RECAMBIO CARTUCHO FILTRANTE 1 µm  
ELEMENTO FILTRANTE 1 µm

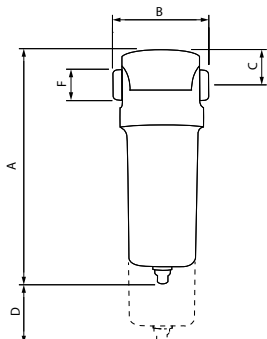
Code	F	Working life (h)	Flow Rate (l/min)	Pack.
90905 00 001	1/2	4000	1000	1
90905 00 002	3/4	4000	3000	1
90905 00 003	1"	4000	5000	1
90905 00 004	1" 1/2	4000	10400	1
90905 00 005	2"	4000	16500	1
90905 00 006	2" 1/2	4000	22000	1



## 90910

### FILTRO FINE 0.1 µm

FINE FILTER 0.1 µm  
FEINFILTER 0.1 µm  
FILTRE FIN 0.1 µm  
FILTRO FINO 0.1 µm  
FILTRO FINO 0.1 µm



Code	F	A	B	C	D	Flow Rate (l/min)	Pack.
90910 00 001	1/2	220	90	25	80	1000	1
90910 00 002	3/4	280	90	25	100	3000	1
90910 00 003	1"	305	120	37	120	5000	1
90910 00 004	1" 1/2	385	120	37	120	10400	1
90910 00 005	2"	500	165	54	150	16500	1
90910 00 006	2" 1/2	675	165	54	150	22000	1

## 90915

### CARTUCCIA FILTRANTE 0.1 µm

SPARE PART FILTERING CARTRIDGE 0.1 µm  
ERSATZ-FILTERPATRONE 0.1 µm  
CARTOUCHE DE FILTRATION 0.1 µm  
RECAMBIO CARTUCHO FILTRANTE 0.1 µm  
ELEMENTO FILTRANTE 0.1 µm

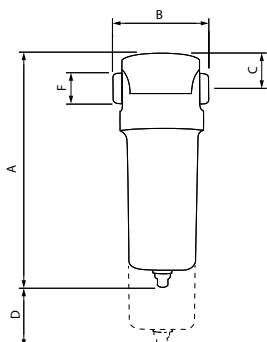


Code	F	Working life (h)	Flow Rate (l/min)	Pack.
90915 00 001	1/2	3500	1000	1
90915 00 002	3/4	3500	3000	1
90915 00 003	1"	3500	5000	1
90915 00 004	1" 1/2	3500	10400	1
90915 00 005	2"	3500	16500	1
90915 00 006	2" 1/2	3500	22000	1

## 90920

### FILTRO MICROFINE 0.01 µm

MICROFINE FILTER 0.01 µm  
MIKROFEINFILTER 0.01 µm  
FILTRE MICRO FIN 0.01 µm  
FILTRO MICROFINO 0.01 µm  
FILTRO MICROFINO 0.01 µm



Code	F	A	B	C	D	Flow Rate (l/min)	Pack.
90920 00 001	1/2	220	90	25	80	1000	1
90920 00 002	3/4	280	90	25	100	3000	1
90920 00 003	1"	305	120	37	120	5000	1
90920 00 004	1" 1/2	385	120	37	120	10400	1
90920 00 005	2"	500	165	54	150	16500	1
90920 00 006	2" 1/2	675	165	54	150	22000	1

## 90925

### CARTUCCIA FILTRANTE 0.01 µm

SPARE PART FILTERING CARTRIDGE 0.01 µm  
 ERSATZ-FILTERPATRONE 0.01 µm  
 CARTOUCHE DE FILTRE 0.01 µm  
 RECAMBIO CARTUCHO FILTRANTE 0.01 µm  
 ELEMENTO FILTRANTE 0.01 µm

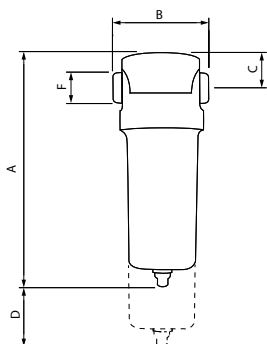


Code	F	Working life (h)	Flow Rate (l/min)	Pack.
90925 00 001	1/2	3500	1000	1
90925 00 002	3/4	3500	3000	1
90925 00 003	1"	3500	5000	1
90925 00 004	1" 1/2	3500	10400	1
90925 00 005	2"	3500	16500	1
90925 00 006	2" 1/2	3500	22000	1

## 90930

### FILTRI A CARBONI ATTIVI

ACTIVE CARBON FILTER  
 AKTIVKOHLENFILTER  
 FILTRES DE CHARBON ACTIF  
 FILTRO A CARBÓN ACTIVO  
 FILTRO DE CARVÃO ATIVADO



Code	F	A	B	C	D	Flow Rate (l/min)	Pack.
90930 00 001	1/2	220	90	25	80	1000	1
90930 00 002	3/4	280	90	25	100	3000	1
90930 00 003	1"	305	120	37	120	5000	1
90930 00 004	1" 1/2	385	120	37	120	10400	1
90930 00 005	2"	500	165	54	150	16500	1
90930 00 006	2" 1/2	675	165	54	150	22000	1

## 90935

### CARTUCCIA FILTRANTE A CARBONI ATTIVI

SPARE PART ACTIVE CARBON FILTERING CARTRIDGE  
 ERSATZ-AKTIVKOHLENFILTER  
 CARTOUCHE DE FILTRATION DE CHARBON ACTIF  
 RECAMBIO CARTUCHO FILTRANTE A CARBÓN ACTIVO  
 ELEMENTO DE CARVÃO ATIVADO



Code	F	Working life (h)	Flow Rate (l/min)	Pack.
90935 00 001	1/2	3500	1000	1
90935 00 002	3/4	3500	3000	1
90935 00 003	1"	3500	5000	1
90935 00 004	1" 1/2	3500	10400	1
90935 00 005	2"	3500	16500	1
90935 00 006	2" 1/2	3500	22000	1



## ACCESSORI FILTRI PER ARIA COMPRESSA

ACCESSORIES FILTERS FOR COMPRESSED AIR  
 ZUBEHÖR DRUCKLUFTFILTER  
 ACCESSOIRES FILTRES POUR AIR COMPRIME  
 ACCESORIOS FILTRO PARA AIRE COMPRIMIDO  
 ACESSÓRIOS FILTRO PARA AR COMPRIMIDO

### 90940

#### INDICATORE DIFFERENZIALE

DIFFERENTIAL INDICATOR  
 DIFFERENTIALANZEIGE  
 INDICATEUR DIFFÉRENTIEL  
 INDICADOR DIFERENCIAL  
 INDICADOR DE PRESSÃO  
 DIFERENCIAL



#### Code

90940 00 001

#### Pack.

1

È un indicatore visivo regolato dalla pressione differenziale, indica l'esatto grado di saturazione della cartuccia filtrante.  
 It is a visual indicator adjusted by the differential pressure, it displays the exact degree of saturation of the filtering cartridge.  
 Visuelle Anzeige, welche durch das Differential eingestellt wird - diese zeigt den genauen Sättigungsgrad der Filterpatrone an.  
 C'est un indicateur visuel réglé par la pression différentielle et affiche le niveau exact de saturation de la cartouche filtrante.  
 Es un indicador regulado por la presión diferencial, y visualiza el estado en grado de saturación del cartucho filtrante.  
 É um indicador ajustado pela pressão diferencial e mostra o grau de saturação do elemento filtrante.

### 90950

#### MANOMETRO DIFFERENZIALE

DIFFERENTIAL GAUGE  
 DIFFERENTIALANZEIGE  
 MANOMÈTRE DIFFÉRENTIEL  
 MANÓMETRO DIFERENCIAL  
 MANÓMETRO DIFERENCIAL



#### Code

90950 00 001

#### Pack.

1

Visualizza l'esatto grado di saturazione della cartuccia filtrante.

It displays the exact degree of saturation of the filtering cartridge.

Das Display zeigt den genauen Sättigungsgrad der Patrone an.

Affiche le degré exact de saturation de la cartouche filtrante.

Visualiza el estado en grado de saturación del cartucho filtrante.

Mostra o grau de saturação do elemento filtrante.

### 90960

#### SCARICATORE AUTOMATICO

AUTOMATIC DRAIN  
 AUTOMATISCHER ABLASS  
 PURGE AUTOMATIQUE  
 PURGA AUTOMÁTICA  
 DRENO AUTOMÁTICO



#### Code

90960 00 001

#### Pack.

1

## 90975

### VALVOLA DI SCARICO CONDENZA

CONDENSED DRAIN VALVE  
 ABLASSVENTIL  
 ROBINET DE VIDANGE  
 VÁLVULA DE VACIADO  
 VÁLVULA DE DRENAGEM



Code		Pack.
90975 00 004	See Pag: 91	1
90975 00 005	See Pag: 91	1

**Bobine & Connettori:** pag: 94 - 95  
 Coils & Connectors: pag: 94 - 95  
 Spulen & Stecker: pag: 94 - 95  
 Bobines & Connecteurs: pag: 94 - 95  
 Bobinas & Conectores: pag: 94 - 95  
 Bobinas & Conectores: pag: 94 - 95

## 90980

### SCARICATORE AUTOMATICO

AUTOMATIC DRAIN  
 AUTOMATISCHER ABLASS  
 PURGE AUTOMATIQUE  
 PURGA AUTOMÁTICA  
 DRENO AUTOMÁTICO



Code	Voltage	Pack.
90980 00 001	230 V / 50-60 Hz	1

**Controlla automaticamente il livello di condensa per mezzo di un elettrovalvola che attiva lo scarico della condensa**  
*It checks automatically the level of condense by means of a solenoid valve which activates the exhaust for the condense.*  
*Prüft den Kondensatstand mittels einem Magnetventil, welches den Abfluss des Kondensats regelt.*  
*Contrôle automatiquement le niveau de condensation au moyen d'une électrovanne qui active la purge des condensats*  
*Controla automáticamente el nivel de condensados por medio de una electroválvula que activa la descarga de condensados.*  
*Controla automaticamente o nível de condensado por meio de uma eletro-válvula.*

Portata - Flow Rate - Durchfluss - Débit - Caudal - Vazão: 600 m³/h

## 90991

### STAFFA PER FISSAGGIO A MURO

WALL BRACKET  
 WANDHALTERUNG  
 SUPPORT DE FIXATION MURAL  
 SOPORTE DE FIJACIÓN A PARED  
 SUPORTE DE FIXAÇÃO PARA PAREDE



Code	F	Pack.
90991 00 001	1/2 - 3/4	1
90991 00 002	1" - 1"1/2	1

## 90992

### KIT PER CONNESSIONE 2 FILTRI + STAFFA

KIT FOR FIXING TO WALL 2 FILTER + BRACKET  
 FIXIER-KIT FÜR 2 FILTER + HALTERUNG  
 KIT DE RACCORDEMENT DE 2 FILTRES + SUPPORT  
 KIT DE CONEXIÓN 2 ELEMENTOS + SOPORTE  
 KIT DE CONEXÃO PARA 2 ELEMENTOS + SUPORTE



Code	F	Pack.
90992 00 001	1/2 - 3/4	1
90992 00 002	1"	1
90992 00 003	1" 1/2	1

## 90993

### KIT PER CONNESSIONE 3 FILTRI + STAFFA

KIT FOR FIXING TO WALL 3 FILTER + BRACKET  
 FIXIER-KIT FÜR 3 FILTER + HALTERUNG  
 KIT DE RACCORDEMENT DE 3 FILTRES + SUPPORT  
 KIT DE CONEXIÓN 3 ELEMENTOS + SOPORTE  
 KIT DE CONEXÃO PARA 3 ELEMENTOS + SUPORTE



Code	F	Pack.
90993 00 001	1/2 - 3/4	1
90993 00 002	1"	1
90993 00 003	1" 1/2	1

## 90994

### KIT PER CONNESSIONE 4 FILTRI + STAFFA

KIT FOR FIXING TO WALL 4 FILTER + BRACKET  
 FIXIER-KIT FÜR 4 FILTER + HALTERUNG  
 KIT DE RACCORDEMENT DE 4 FILTRES + SUPPORT  
 KIT DE CONEXIÓN 4 ELEMENTOS + SOPORTE  
 KIT DE CONEXÃO PARA 4 ELEMENTOS + SUPORTE



Code	F	Pack.
90994 00 001	1/2 - 3/4	1
90994 00 002	1"	1
90994 00 003	1" 1/2	1

**ACCESSORI INFINITY**

INFINITY ACCESSORIES  
ZUBEHÖR INFINITY  
ACCESSOIRES INFINITY  
ACCESORIOS INFINITY  
ACESSÓRIOS INFINITY

**661**

**PRESA CON ATTACCO MASCHIO**

MALE SOCKET  
VERSCHLUSS-KUPPLUNG MIT AUSSENGEWINDE  
COUPLEUR MÂLE  
ENCHUFE MACHO  
SOQUETE COM ROSCA MACHO



Code	
00661 00 001	1/4
00661 00 002	3/8
00661 00 003	1/2

**665**

**PRESA CON PORTAGOMMA A RESCA**

SOCKET WITH REST FOR RUBBER HOSE  
VERSCHLUSS-KUPPLUNG MIT SCHLAUCHTÜLLE  
COUPLEUR À DOUILLE ANNELÉE POUR TUBE  
ENCHUFE ESPIGA  
SOQUETE COM ESPIGÃO PARA MANGUEIRA DE BORRACHA



Code	
00665 00 001	6
00665 00 002	8
00665 00 003	10
00665 00 004	12

**662**

**PRESA CON ATTACCO FEMMINA**

FEMALE SOCKET  
VERSCHLUSS-KUPPLUNG MIT INNENGEWINDE  
COUPLEUR FEMELLE  
ENCHUFE HEMBRA  
SOQUETE COM ROSCA FÊMEA



Code	
00662 00 001	1/4
00662 00 002	3/8
00662 00 003	1/2

**261AC**

**INNESTO IN ACCIAIO CON ATTACCO MASCHIO**

STEEL MALE PLUG  
STECKER MIT AUSSENGEWINDE AUS STAHL  
EMBOUT MÂLE EN ACIER  
ADAPTADOR EN ACERO MACHO  
PLUG EM AÇO COM ROSCA MACHO



Code	
261AC 00 51 03 ZI	1/4
261AC 00 51 04 ZI	3/8
261AC 00 51 05 ZI	1/2

**664**

**PRESA CON ATTACCO A CALZAMENTO**

COMPRESSION SOCKET  
VERSCHLUSS-KUPPLUNG MIT ÜBERWURFVERSCHRAUBUNG  
COUPLEUR RACCORD À COIFFE  
ENCHUFE TUBO  
SOQUETE COM CONEXÃO PUSH-ON



Code	
00664 00 001	6/4
00664 00 002	8/6
00664 00 005	10/6.5
00664 00 003	10/8
00664 00 006	12/8
00664 00 004	12/10

**262AC**

**INNESTO IN ACCIAIO CON ATTACCO FEMMINA**

STEEL FEMALE PLUG  
STECKER MIT INNENGEWINDE AUS STAHL  
EMBOUT FEMELLE EN ACIER  
ADAPTADOR EN ACERO HEMBRA  
PLUG EM AÇO COM ROSCA FÊMEA



Code	
262AC 00 51 03 ZI	1/4
262AC 00 51 04 ZI	3/8
262AC 00 51 05 ZI	1/2

## 265AC

### INNESTO IN ACCIAIO CON PORTAGOMMA A RESCA

STEEL PLUG WITH REST FOR RUBBER HOSE  
 STECKER MIT SCHLAUCHTÜLLE AUS STAHL  
 EMBOUT À DOUILLE ANNELÉE POUR TUBE EN ACIER  
 ADAPTADOR EN ACERO ESIPIGA  
 PLUG EM AÇO COM ESIPIÃO PARA TUBO DE BORRACHA

Code	
265AC 00 51 X4 ZI	6
265AC 00 51 X7 ZI	8
265AC 00 51 X9 ZI	10
265AC 00 51 Y1 ZI	12



## 628

### PROTEZIONE PRESA IN EPDM

EPDM SOCKET PROTECTION  
 KUPPLUNGSSCHUTZ IN EPDM  
 PROTECTION POUR COUPLEUR EN EPDM  
 PROTECCIÓN ENCHUFE EN EPDM  
 CAPA DE PROTEÇÃO PARA SOQUETE EM EPDM

Code	
00628 00 20 00 00	*6 - 8 - 10 - 12



\* Tagliare la protezione in corrispondenza della scritta indicante la misura del diametro esterno del tubo utilizzato.

Cut the protection on external tube diameter sign.  
 Schneiden Sie das Schutzrohr gemäss den Markierungen auf den gewünschten Durchmesser.  
 Couper le tube de protection sur la marque en fonction du diamètre désiré.  
 Cortar la protección en función de la escritura que indica el diámetro externo del tubo utilizado.  
 Corte a proteção na marcação correspondente ao diâmetro externo do tubo a ser utilizado.

## 191

### PRESA CON ATTACCO MASCHIO

MALE SOCKET  
 VERSCHLUSS-KUPPLUNG MIT AUSSENGEWINDE  
 COUPLEUR MÂLE  
 ENCHUFE MACHO  
 SOQUETE COM ROSCA MACHO

Code	
00191 00 001	1/4
00191 00 002	3/8
00191 00 003	1/2



## 261

### INNESTO CON ATTACCO MASCHIO

MALE PLUG  
 STECKER MIT AUSSENGEWINDE  
 EMBOUT MÂLE  
 ADAPTADOR MACHO  
 PLUG COM ROSCA MACHO

Code	
00261 00 01 03 NB	1/4
00261 00 01 04 NB	3/8
00261 00 01 05 NB	1/2



## 192

### PRESA CON ATTACCO FEMMINA

FEMALE SOCKET  
 VERSCHLUSS-KUPPLUNG MIT INNENGEWINDE  
 COUPLEUR FEMELLE  
 ENCHUFE HEMBRA  
 SOQUETE COM ROSCA FÊMEA

Code	
00192 00 001	1/4
00192 00 002	3/8
00192 00 003	1/2



## 262

### INNESTO CON ATTACCO FEMMINA

FEMALE PLUG  
 STECKER MIT INNENGEWINDE  
 EMBOUT FEMELLE  
 ADAPTADOR HEMBRA  
 PLUG COM ROSCA FÊMEA

Code	
00262 00 01 03 NB	1/4
00262 00 01 04 NB	3/8
00262 00 01 05 NB	1/2



## 193

### PRESA CON ATTACCO A CALZAMENTO CON MOLLA

COMPRESSION SOCKET WITH SPRING  
 VERSCHLUSS-KUPPLUNG MIT KNICKSCHUTZFEDER  
 COUPLEUR AVEC RESSORT DE PROTECTION  
 ENCHUFE TUBO CON MUELLE  
 SOQUETE COM CONEXÃO PUSH-ON COM MOLA

Code	
00193 00 001	6/4
00193 00 002	8/6
00193 00 004	10/6.5
00193 00 003	10/8
00193 00 005	12/10



## 263

### INNESTO CON ATTACCO A CALZAMENTO CON MOLLA

COMPRESSION PLUG WITH SPRING  
 STECKER MIT KNICKSCHUTZFEDER  
 EMBOUT AVEC RESSORT DE PROTECTION  
 ADAPTADOR TUBO CON MUELLE  
 PLUG COM CONEXÃO PUSH-ON COM MOLA

Code	
00263 00 001	6/4
00263 00 002	8/6
00263 00 003	10/8
00263 00 004	12/10



## 50020

### RACCORDO DIRITTO MASCHIO CILINDRICO

STRAIGHT MALE ADAPTOR (PARALLEL)  
GERADE EINSCHRAUBVERSCHRAUBUNG ZYLINDRISCH  
RACCORD DROIT MÂLE, CYLINDRIQUE  
RACOR RECTO MACHO CILÍNDRICO CON TÓRICA  
CONEXÃO RETA COM ROSCA PARALELA



#### Code

50020 00 021	3	M5
50020 00 034	4	M3
50020 00 001	4	M5
50020 00 002	4	1/8
50020 00 022	4	1/4
50020 00 018	5	M5
50020 00 019	5	1/8
50020 00 036	5	1/4
50020 00 020	6	M5
50020 00 003	6	1/8
50020 00 004	6	1/4
50020 00 027	6	3/8
50020 00 028	6	1/2
50020 00 005	8	1/8
50020 00 006	8	1/4
50020 00 007	8	3/8
50020 00 029	8	1/2
50020 00 008	10	1/4
50020 00 009	10	3/8
50020 00 031	10	1/2
50020 00 032	12	1/4
50020 00 011	12	3/8
50020 00 023	12	1/2
50020 00 024	14	3/8
50020 00 025	14	1/2
50020 00 042	16	3/8
50020 00 043	16	1/2
50020 00 012	6	M12x1
50020 00 013	6	M12x1.25
50020 00 014	6	M12x1.5
50020 00 017	8	M12x1.5

## 1027

### RACCORDO DIRITTO ORIENTABILE MASCHIO CILINDRICO + DADO CON MOLLA

ORIENTING STRAIGHT MALE ADAPTOR (PARALLEL) + NUT WITH SPRING  
GERADE VERSCHRAUBUNG ZYLINDRISCH (DREHBAR) + KNICKSCHUTZFEDER  
RACCORD ORIENTABLE DROIT MÂLE, CYLINDRIQUE AVEC RESSORT DE PROTECTION  
RACOR RECTO ORIENTABLE MACHO CILÍNDRICO CON TÓRICA + TUERCA CON MUELLE  
CONEXÃO RETA ORIENTÁVEL MACHO COM ROSCA PARALELA + PORCA COM MOLA



\* Misure specifiche per tubi in POLIURETANO.  
Particular sizes for the POLYURETHANE tubing.  
Spezial Abmessungen für POLYURETHAN Rohre.  
Dimensions spécifiques pour tube POLYURETHANE.  
Medidas específicas para tubo en POLIURETANO.  
Tamanhos específicos para tubos de POLIURETANO.

#### Code

01027 00 001	6/4	1/8
01027 00 002	6/4	1/4
01027 00 003	8/6	1/8
01027 00 004	8/6	1/4
* 01027 00 005	10/6.5	1/4
01027 00 006	10/8	1/4
* 01027 00 007	12/8	3/8
01027 00 008	12/10	3/8

## 6300

### VALVOLA FEMMINA RP ISO 7 - FEMMINA RP ISO 7

FEMALE RP ISO 7 - FEMALE RP ISO 7 VALVE  
KUGELHAHN INNENGEW. RP ISO 7 - INNENGEW. RP ISO 7  
ROBINET - TARAUDAGE RP ISO 7  
VÁLVULA HEMBRA RP ISO 7 - HEMBRA RP ISO 7  
VÁLVULA ROSCA FÊMEA RP ISO 7 - ROSCA FÊMEA RP ISO 7



#### Code

06300 00 001	1/8	1/8
06300 00 002	1/4	1/4
06300 00 003	3/8	3/8
06300 00 004	1/2	1/2
06300 00 055	3/4	3/4

## 6310

### VALVOLA MASCHIO CONICO R ISO 7 - FEMMINA RP ISO 7

TAPER MALE R ISO 7 - FEMALE RP ISO 7 VALVE  
KUGELHAHN AUSSENGEW. KONISCH R ISO 7 - INNENGEW. RP ISO 7  
ROBINET FILETAGE R ISO 7 - TARAUDAGE RP ISO 7  
VÁLVULA MACHO CÓNICO R ISO 7 - HEMBRA RP ISO 7  
VÁLVULA ROSCA MACHO CÓNICA R ISO 7 - ROSCA FÊMEA RP ISO 7



#### Code

06310 00 001	1/8	1/8
06310 00 002	1/4	1/8
06310 00 003	1/4	1/4
06310 00 004	3/8	3/8
06310 00 005	1/2	1/2
06310 00 066	3/4	3/4

## 6067

### VALVOLA A SFERA, FEMMINA G ISO 228 - FEMMINA G ISO 228

BALL VALVE, FEMALE G ISO 228 - FEMALE G ISO 228  
KUGELHAHN, INNENGEW. G ISO 228 - INNENGEW. G ISO 228  
ROBINET TARAUDAGE G ISO 228  
VÁLVULA A ESFERA HEMBRA G ISO 228 - HEMBRA G ISO 228  
VÁLVULA DE ESFERA, FÊMEA G ISO 228 - FÊMEA G ISO 228



#### Code

06067 00 001	1/2
06067 00 002	3/4
06067 00 003	1"
06067 00 004	1"1/4
06067 00 005	1"1/2
06067 00 006	2"

## 6060

### VALVOLA A CORSOIO

SLIDE VALVE  
HANDSCHIEBEVENTILE  
VANNE COULISSANTE  
VÁLVULA DE CORREDERA  
VÁLVULA DESLIZANTE



#### Code

06060 00 001	1/8
06060 00 002	1/4
06060 00 003	3/8
06060 00 004	1/2

## T100 Mini



Code	Size
<b>T100 002 231 100</b>	FR+L0
<b>T100 003 231 100</b>	FR+L0
Thread	Filtration
1/8	20µm
1/4	20µm
Regulation	Pack.
0 ÷ 8 bar	1
0 ÷ 8 bar	1

## Y100



Code	Size
<b>Y100 205 231 100</b>	FR+L2
<b>Y100 309 231 100</b>	FR+L3
Thread	Filtration
1/2"	20 µm
1"	20 µm
Regulation	Pack.
0 ÷ 8 bar	1
0 ÷ 8 bar	1

## MAN01 / MAN02

**MANOMETRO ATTACCO POSTERIORE**  
 MANOMETER BACK CONNECTION  
 MANOMETER, ANSCHLUSS RÜCKSEITIG  
 MANOMÈTRE, RACCORD ARRIÈRE CENTRÉ  
 MANÓMETRO POSTERIOR  
 MANÓMETRO COM ROSCA TRASEIRA



Code	Size
<b>MAN01 N2 020 000</b>	0 ÷ 4
<b>MAN01 N2 050 000</b>	0 ÷ 6
<b>MAN01 N2 060 000</b>	0 ÷ 10
<b>MAN01 N2 040 000</b>	0 ÷ 12
<b>MAN02 N2 050 000</b>	0 ÷ 6
<b>MAN02 N2 040 000</b>	0 ÷ 12

## 2020

**NIPPLIO DI RIDUZIONE CONICO**  
 REDUCING NIPPLE (TAPER)  
 DOPPELNIPPEL REDUZIERT KONISCH  
 MAMELON DOUBLE INÉGAL, CONIQUE  
 MACHÓN CÓNICO DE REDUCCIÓN  
 NIPLE DE REDUÇÃO COM ROSCA CÓNICA



Code	Size
<b>02020 00 01 AT NB</b>	1/8 1/4
<b>02020 00 01 3W NB</b>	1/8 3/8
<b>02020 00 01 4W NB</b>	1/8 1/2
<b>02020 00 01 7W NB</b>	1/4 3/8
<b>02020 00 01 8W NB</b>	1/4 1/2
<b>02020 00 01 AC NB</b>	3/8 1/2
<b>02020 00 01 AH NB</b>	1/2 3/4
<b>02020 00 01 AS NT</b>	3/4 1"

## 2060

**NIPPLIO CONICO ORIENTABILE (3 PEZZI)**  
 TAPER NIPPLE (3 PIECES)  
 DOPPELNIPPEL KONISCH EINSTELLBAR  
 (3 STÜCK)  
 MAMELON DOUBLE 3 PIÈCES  
 MACHÓN CÓNICO ORIENTABLE (3 PIEZAS)  
 NIPLE ORIENTÁVEL COM ROSCA CÓNICA  
 (3 PARTES)



Code	Size
<b>02060 00 001</b>	1/8
<b>02060 00 002</b>	1/4
<b>02060 00 003</b>	3/8
<b>02060 00 004</b>	1/2
<b>02060 00 005</b>	3/4
<b>02060 00 006</b>	1"

**Articolo non nichelato.**  
 Article not nickel-plated.  
 Artikel nicht vernickelt.  
 Article non nickelé.  
 Artículo no niquelado.  
 Item não niquelado.

## 2080

**RIDUZIONE CONICA**  
 REDUCER (TAPER)  
 REDUZIERUNG KONISCH  
 RÉDUCTION, CONIQUE  
 REDUCCIÓN CÓNICA  
 REDUÇÃO COM ROSCA CÓNICA



Code	Size
<b>02080 00 01 5W NB</b>	1/4 1/8
<b>02080 00 01 9W NB</b>	3/8 1/8
<b>02080 00 01 AD NB</b>	1/2 1/8
<b>02080 00 01 AA NB</b>	3/8 1/4
<b>02080 00 01 AE NB</b>	1/2 1/4
<b>02080 00 01 AF NB</b>	1/2 3/8
<b>02080 00 01 AL NB</b>	3/4 3/8
<b>02080 00 01 AM NB</b>	3/4 1/2
<b>02080 00 01 AP NT</b>	1" 1/2
<b>02080 00 01 AQ NT</b>	1" 3/4
<b>02080 00 01 AR NT</b>	1"1/4 1/2
<b>02080 00 01 AU NT</b>	1"1/4 3/4
<b>02080 00 01 AV NT</b>	1"1/4 1"
<b>02080 00 01 82 NT</b>	1"1/2 1"
<b>02080 00 01 83 NT</b>	2" 1"

## 3015

**TAPPO MASCHIO CILINDRICO ESAGONO INCASSATO CON O-RING NBR**  
 MALE PLUG (PARALLEL) WITH EXAGON EMBEDDED AND NBR O-RING  
 GEWINDESTOPFEN ZYLINDRISCH INNENSECHSKANT MIT O-RING NBR  
 BOUCHON À 6 PANS CREUX MÂLE, CYLINDRIQUE AVEC JOINT NBR  
 TAPÓN MACHO CILÍNDRICO HEXÁGONO INTERIOR CON TÓRICA NBR  
 TAMPÃO MACHO COM ROSCA PARALELA E SEXTAVADO INTERNO (O-RING EM NBR)



Code	Size
<b>03015 00 005</b>	M5
<b>03015 00 001</b>	1/8
<b>03015 00 002</b>	1/4
<b>03015 00 003</b>	3/8
<b>03015 00 004</b>	1/2
<b>03015 00 006</b>	M8x1
<b>03015 00 007</b>	M10x1
<b>03015 00 008</b>	M12x1,25
<b>03015 00 009</b>	3/4
<b>03015 00 010</b>	1"

## 6000

**RACCORDO A Y 90° MASCHIO CENTRALE**  
 CENTRAL MALE Y 90°  
 Y-VERSCHRAUBUNG 90° AUSSEN-/INNENGEW.  
 Y EGAL À 90° MALE AU CENTRE  
 RACOR A Y 90° MACHO CENTRAL  
 CONEXÕES EM "Y" 90° ROSCA MACHO CENTRAL



Code	Size
<b>06000 00 01 02 NB</b>	1/8
<b>06000 00 01 03 NB</b>	1/4
<b>06000 00 01 04 NB</b>	3/8
<b>06000 00 01 05 NB</b>	1/2

## 3040

**PORTAGOMMA MASCHIO CONICO**  
 MALE HOSE ADAPTER (TAPER)  
 SCHLAUCHTÜLLE AUSSENGEW. KONISCH  
 DOUILLE ANNELÉE, CONIQUE  
 ESPIGA MACHO CÔNICA  
 ESPIGÃO COM ROSCA MACHO CÔNICA



Code			
03040 00 01 BS NB	6	1/8	
03040 00 01 BT NB	6	1/4	
03040 00 01 BZ NB	7	1/8	
03040 00 01 BX NB	7	1/4	
03040 00 01 BY NB	8	1/8	
03040 00 01 BJ NB	8	1/4	
03040 00 01 BK NB	8	3/8	
03040 00 01 CA NB	9	1/8	
03040 00 01 CB NB	9	1/4	
03040 00 01 CC NB	9	3/8	
03040 00 01 CD NB	9	1/2	
03040 00 01 CE NB	10	1/8	
03040 00 01 CF NB	10	1/4	
03040 00 01 CG NB	10	3/8	
03040 00 01 CH NB	10	1/2	
03040 00 01 VB NB	11	1/8	
03040 00 01 RP NB	11	1/4	
03040 00 01 QR NB	11	3/8	
03040 00 01 VF NB	11	1/2	
03040 00 01 CI NB	12	1/4	
03040 00 01 CL NB	12	3/8	
03040 00 01 CM NB	12	1/2	
03040 00 01 CN NB	14	3/8	
03040 00 01 DB NB	14	1/2	
03040 00 01 5P NB	15	1/4	
03040 00 01 1G NB	15	3/8	
03040 00 01 CP NB	15	1/2	
03040 00 01 VG NB	15	3/4	
03040 00 01 CQ NB	16	3/8	
03040 00 01 CR NB	16	1/2	
03040 00 01 CS NB	16	3/4	
03040 00 01 CT NB	17	3/8	
03040 00 01 CU NB	17	1/2	

## 3044

**PORTAGOMMA MASCHIO CONICO**  
 MALE HOSE ADAPTER (TAPER)  
 SCHLAUCHTÜLLE AUSSENGEW. KONISCH  
 DOUILLE ANNELÉE, CONIQUE  
 ESPIGA MACHO CÔNICA  
 ESPIGÃO COM ROSCA MACHO CÔNICA



Code			
03044 00 023	6	1/4	
03044 00 002	7	1/8	
03044 00 003	7	1/4	
03044 00 004	8	1/8	
03044 00 005	8	1/4	
03044 00 024	8	3/8	
03044 00 015	8	1/2	
03044 00 006	9	1/8	
03044 00 007	9	1/4	
03044 00 008	9	3/8	
03044 00 025	10	1/4	
03044 00 026	10	3/8	
03044 00 027	10	1/2	
03044 00 009	12	1/4	
03044 00 010	12	3/8	
03044 00 011	12	1/2	
03044 00 016	13	1/2	
03044 00 028	14	1/4	
03044 00 020	14	3/8	
03044 00 021	14	1/2	
03044 00 012	17	3/8	
03044 00 013	17	1/2	
	<b>min</b>	<b>max</b>	
<b>Temperature</b>	<b>-20 °C</b>	<b>+80 °C</b>	



## SS12

### SPIRALE IN POLIAMIDE SENZA CODOLI

POLYAMIDE SPIRAL WITHOUT TANGS

SPIRALROHRE AUS POLYAMID OHNE GERADE ENDEN

TUBE SPIRALÉ EN POLYAMIDE SANS EXTRÉMITÉS DROITES

ESPIRAL EN POLIAMIDA SIN TERMINALES

ESPIRAL DE POLIAMIDA SEM ABAS



Code		Est. (mm)	Int. (mm)	Linear length (Mt)	Pack.
SS12 0064 030	BL	6	4	30	1
SS12 0086 030	BL	8	6	30	1
SS12 0108 030	BL	10	8	30	1
SS12 0121 030	BL	12	10	30	1

## SDPU

### SPIRALE IN POLIURETANO POLIETERE 95 SHORE A CON CODOLI

SPIRAL POLYURETHANE POLYETHER 95 SHORE A WITH TANGS

SPIRALROHRE AUS POLYURETHAN-POLYETHER 95 SHORE A MIT GERADEN ENDEN

TUBE SPIRALÉ EN POLYURÉTHANE POLYÉTHÉR 95 SHORE A AVEC EXTRÉMITÉS DROITES

ESPIRAL EN POLIURETANO POLIÉTER 95 SHORE A CON TERMINALES

ESPIRAL DE POLIURETANO POLIÉTER 95 SHORE A COM ABAS



Code		Est. (mm)	Int. (mm)	Linear length (Mt)	Pack.
SDPU 0064 004	AZ	6	4	4	1
SDPU 0085 505	AZ	8	5.5	5	1
SDPU 0106 505	AZ	10	6.5	5	1
SDPU 0120 805	AZ	12	8	5	1
SDPU 0085 075	AZ	8	5.5	7.5	1
SDPU 0106 575	AZ	10	6.5	7.5	1
SDPU 0120 875	AZ	12	8	7.5	1

## TBPVM

### TUBO PVC MULTISTRATO EXTRAFLESSIBILE - LUNGHEZZA 25 Mt

PVC MULTYLAYER SUPERFLEXIBLE HOSE - LENGHT 25 Mt

MEHRSCICHTIGES PVC-ROHR SUPERFLEXIBEL - LÄNGE 25 Mt

TUBE MULTICOUCHE SUPERFLEXIBLE PVC - ROULEAU DE 25 Mt

TUPO MULTICAPA SUPERFLEXIBLE PVC - LONGITUD 25 Mt

TUBO MULTICAMADA SUPERFLEXIVEIS PVC - LUNGHEZZA 25 Mt



Code		Est. (mm)	Int. (mm)	Pack.
TBPVM 011 06	AZ	11	6.3	1
TBPVM 013 08	AZ	13	8	1
TBPVM 145 09	AZ	14.5	9	1
TBPVM 155 10	AZ	15.5	10	1
TBPVM 191 27	AZ	19	12.7	1
TBPVM 023 16	AZ	23	16	1

## 1770

### FASCETTA STRINGITUBO PER TUBI PVC

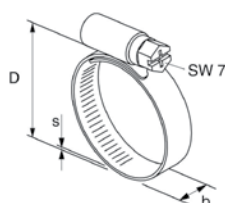
CLAMPS FOR PVC HOSES

KLEMMEN FÜR PVC-ROHRE

COLLIERS DE SERRAGE POUR TUBES PVC

ABRAZADERAS PARA TUBO PVC

ABRAÇADEIRA POR TUBO PVC



Code	D	B	S	Pack.
01770 00 001	8 - 12	9 mm	0.6 mm	50
01770 00 002	10 - 16	9 mm	0.6 mm	50
01770 00 003	12 - 20	9 mm	0.6 mm	50
01770 00 004	16 - 27	9 mm	0.6 mm	50

## SK001

**SPIRALE IN POLIURETANO POLIETERE 95 SHORE A CON RACCORDO DIRITTO ORIENTABILE MASCHIO CILINDRICO.**

*SPIRAL POLYURETHANE POLYETHER 95 SHORE A WITH ORIENTING STRAIGHT MALE ADAPTOR (PARALLEL).*

*SPIRALROHRE AUS POLYURETHAN-POLYETHER 95 SHORE A MIT GERADE EINSCHRAUBVERSCHRAUBUNG ZYLINDRISCH (DREHBAR).*

*TUBE SPIRALÉ EN POLYURÉTHANE POLYÉTHÉR 95 SHORE A AVEC RACCORD ORIENTABLE DROIT MÂLE CYLINDRIQUE.*

*ESPIRAL EN POLIURETANO POLIÉTER 95 SHORE A CON RACOR RECTO ORIENTABLE MACHO CILÍNDRICO CON TÓRICA.*

*ESPIRAL DE POLIURETANO POLIÉTER 95 SHORE A COM CONEXÃO RETA MACHO ORIENTÁVEL*

*COM ROSCA PARALELA.*

Code		Threads	Int. (mm)	Est. (mm)	Linear lenght (Mt)	Pack.
SK001 0640 02	AZ	1/4	4	6	2	1
SK001 0855 05	AZ	1/4	5.5	8	5	1
SK001 0855 75	AZ	1/4	5.5	8	7.5	1
SK001 1065 75	AZ	1/4	6.5	10	7.5	1
SK002 1208 75	AZ	3/8	8	12	7.5	1



## SK10

**SPIRALE IN POLIURETANO POLIETERE 95 SHORE A CON PISTOLE DISOFFIAGGIO**

*SPIRAL POLYURETHANE POLYETHER 95 SHORE A WITH BLOW GUNS*

*SPIRALROHRE AUS POLYURETHAN-POLYETHER 95 SHORE A MIT BLASPISTOLEN*

*TUBE SPIRALÉ EN POLYURÉTHANE POLYÉTHÉR 95 SHORE A AVEC SOUFFLETTES*

*ESPIRAL EN POLIURETANO POLIÉTER 95 SHORE A CON PISTOLAS SOPLADORAS*

*ESPIRAL DE POLIURETANO POLIÉTER 95 SHORE A COM PISTOLA DE AR*

Code		Est. (mm)	Int. (mm)	Linear lenght (Mt)	Pack.
SK10 0855 05	AZ	8	5.5	5	1



## SK022

**SPIRALE IN POLIURETANO POLIETERE 95 SHORE A CON PISTOLE DI SOFFIAGGIO 362**

*SPIRAL POLYURETHANE POLYETHER 95 SHORE A WITH BLOW GUNS 362*

*SPIRALROHRE AUS POLYURETHAN-POLYETHER 95 SHORE A MIT BLASPISTOLEN 362*

*TUBE SPIRALÉ EN POLYURÉTHANE POLYÉTHÉR 95 SHORE A AVEC SOUFFLETTES 362*

*ESPIRAL EN POLIURETANO POLIÉTER 95 SHORE A CON PISTOLAS SOPLADORAS 362*

*ESPIRAL DE POLIURETANO POLIÉTER 95 SHORE A COM PISTOLA DE AR 362*

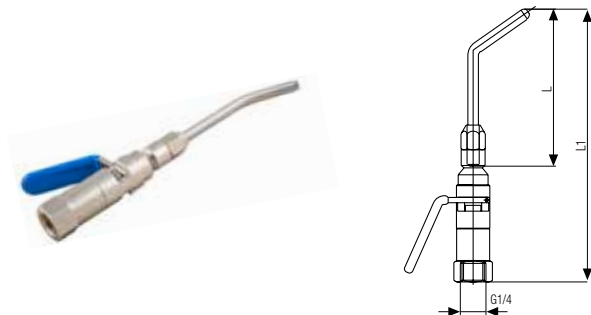
Code		Est. (mm)	Int. (mm)	Linear lenght (Mt)	Pack.
SK022 0855 05	NE	8	5.5	5	1



### 301

**PISTOLA DI SOFFIAGGIO CON TUBO INOX**

BLOWGUN WITH STAINLESS STEEL PIPE  
 BLASPISTOLE MIT EDELSTAHL ROHR  
 SOUFFLETTE AVEC EMBOUT ACIER INOXYDABLE  
 PISTOLA DE SOPLADO CON TUBO ACERO INOXIDABLE  
 PISTOLA DE AR COM BICO DE AÇO INOXIDÁVEI

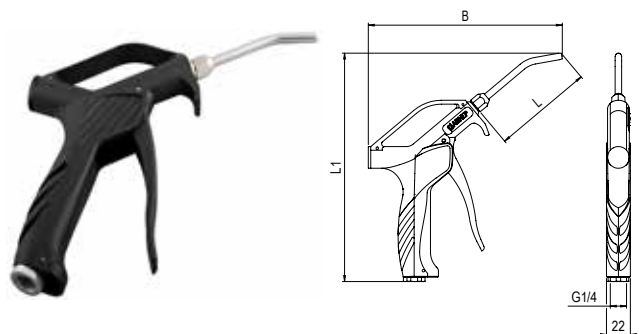


Code	L	L1	Pack.
00301 00 001	90	163	10
00301 00 002	200	273	1
00301 00 003	290	363	1
		<b>min</b>	<b>max</b>
<b>Temperature</b>		- 10 °C	+ 80 °C
<b>Pressure</b>		<b>10 bar</b> (1.0 MPa)	
<b>450 NI/min @ 6 bar - 616 NI/min @ 8 bar</b>			
<b>LAeq 88 dBA @ 6 bar</b>			
<b>LAeq 89 dBA @ 8 bar</b>			
<b>Forza su maniglia</b> - Force on handle Kraft am Griff - Force sur la poignée Fuerza en el mango - Força no punho		<b>23,5 N @ 6 bar</b>	
<b>Forza di soffiaggio</b> - Blowing force Kraft der Schlag - Force de soufflage Fuerza que sopla - Força de sopra		<b>4,6 N @ 6 bar</b>	
<b>2003/10/CE</b>		Max 85 dBA	3 hr @ 6 bar 3 hr @ 8 bar
<b>OSHA 1910.95 (b)</b>		Max 90 dB 8 hr	

### 361

**PISTOLA DI SOFFIAGGIO CON TUBO INOX**

BLOWGUN WITH STAINLESS STEEL PIPE  
 BLASPISTOLE MIT EDELSTAHL ROHR  
 SOUFFLETTE AVEC EMBOUT ACIER INOXYDABLE  
 PISTOLA DE SOPLADO CON TUBO ACERO INOXIDABLE  
 PISTOLA DE AR COM BICO DE AÇO INOXIDÁVEI

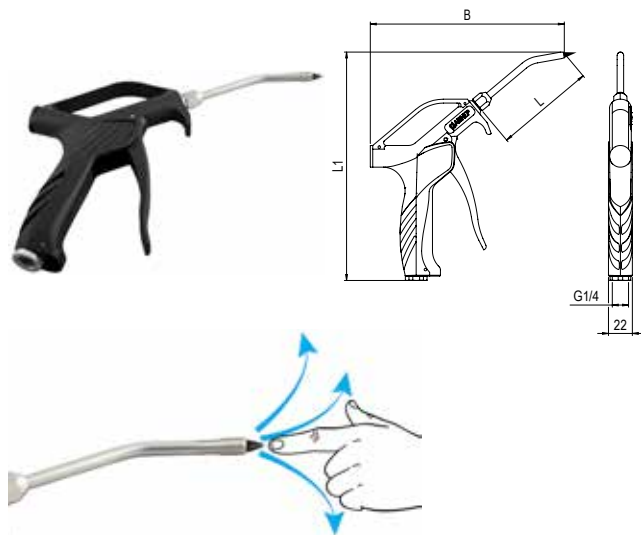


Code	L	L1	B	Pack.
00361 00 001	90	213.5	179	10
		<b>min</b>	<b>max</b>	
<b>Temperature</b>		- 10 °C	+ 80 °C	
<b>Pressure</b>		<b>12 bar</b> (1.2 MPa)		
<b>433 NI/min @ 6 bar - 533 NI/min @ 8 bar</b>				
<b>LAeq 89 dBA @ 6 bar</b>				
<b>LAeq 90 dBA @ 8 bar</b>				
<b>Forza su maniglia</b> - Force on handle Kraft am Griff - Force sur la poignée Fuerza en el mango - Força no punho		<b>19,8 N @ 6 bar</b>		
<b>Forza di soffiaggio</b> - Blowing force Kraft der Schlag - Force de soufflage Fuerza que sopla - Força de sopra		<b>3,7 N @ 6 bar</b>		
<b>2003/10/CE</b>		Max 85 dBA	3 hr @ 6 bar 3 hr @ 8 bar	
<b>OSHA 1910.95 (b)</b>		Max 90 dB 8 hr		

**362**

**PISTOLA DI SOFFIAGGIO CON TUBO INOX DI SICUREZZA**

BLOWGUN WITH STAINLESS STEEL SAFETY PIPE  
 BLASPISTOLE MIT EDELSTAHL-SICHERHEITS ROHR  
 SOUFFLETTE AVEC EMBOUT DE SÉCURITÉ ACIER INOXYDABLE  
 PISTOLA DE SOPLADO CON TUBO DE SEGURIDAD ACERO INOXIDABLE  
 PISTOLA DE AR COM BICO DE SEGURANÇA DE AÇO INOXIDÁVEL

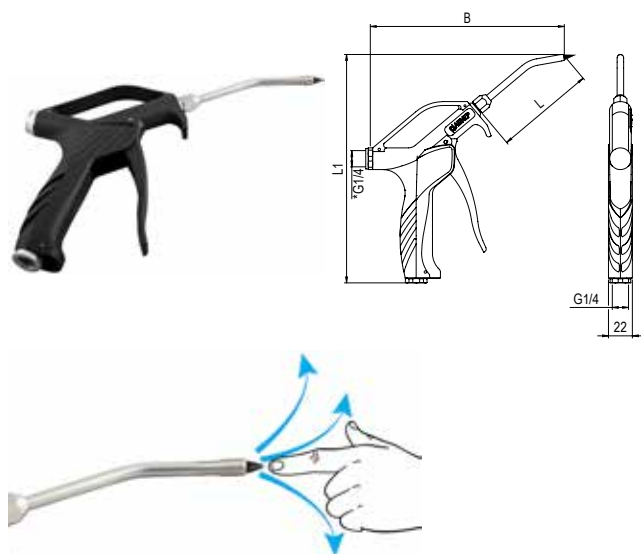


Code	L	L1	B	Pack.
00362 00 001	90	213.5	185.5	10
			<b>min</b>	<b>max</b>
<b>Temperature</b>			- 10 °C	+ 80 °C
<b>Pressure</b>			<b>12 bar</b> (1.2 MPa)	
	<b>383 NI/min @ 6 bar - 500 NI/min @ 8 bar</b>			
	<b>LAeq 78 dBA @ 6 bar</b>			
	<b>LAeq 84 dBA @ 8 bar</b>			
	<b>Forza su maniglietta - Force on handle</b> <i>Kraft am Griff - Force sur la poignée</i> <i>Fuerza en el mango - Força no punho</i>		<b>19,8 N @ 6 bar</b>	
	<b>Forza di soffiaggio - Blowing force</b> <i>Kraft der Schlag - Force de soufflage</i> <i>Fuerza que sopla - Força de sopra</i>		<b>3,4 N @ 6 bar</b>	
	<b>2003/10/CE</b>	<b>Max 85 dBA</b>	<b>8 hr @ 6 bar</b> <b>6 hr @ 8 bar</b>	
	<b>OSHA 1910.95 (b)</b>	<b>Max 90 dB 8 hr</b>		
	<b>OSHA 1910.242 (b)</b>	<b>Max 30 PSI (2,1 bar) when blocked</b>		

**363**

**PISTOLA DI SOFFIAGGIO CON TUBO INOX DI SICUREZZA E DOPPIA ALIMENTAZIONE**

BLOWGUN WITH STAINLESS SAFETY PIPE DOUBLE FEED  
 BLASPISTOLE MIT EDELSTAHL-SICHERHEITS ROHR DOPPELEINZUG  
 SOUFFLETTE AVEC EMBOUT DE SÉCURITÉ INOX AVEC DOUBLE ALIMENTATION  
 PISTOLA DE SOPLADO CON TUBO DE SEGURIDAD INOX DOBLE ALIMENTACION  
 PISTOLA DE AR COM BICO DE SEGURANÇA EM INOX ALIMENTAÇÃO DUPLA



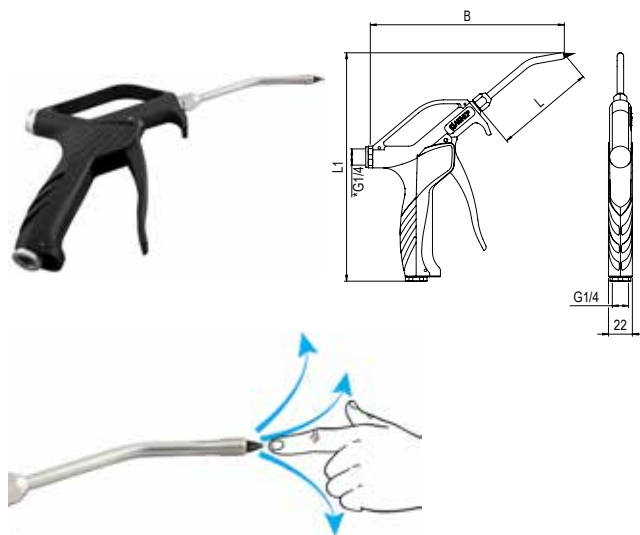
Code	L	L1	B	Pack.
00363 00 001	90	213.5	190.5	10
			<b>min</b>	<b>max</b>
<b>Temperature</b>			- 10 °C	+ 80 °C
<b>Pressure</b>			<b>12 bar</b> (1.2 MPa)	
	<b>383 NI/min @ 6 bar - 500 NI/min @ 8 bar</b>			
	<b>LAeq 78 dBA @ 6 bar</b>			
	<b>LAeq 84 dBA @ 8 bar</b>			
	<b>Forza su maniglietta - Force on handle</b> <i>Kraft am Griff - Force sur la poignée</i> <i>Fuerza en el mango - Força no punho</i>		<b>19,8 N @ 6 bar</b>	
	<b>Forza di soffiaggio - Blowing force</b> <i>Kraft der Schlag - Force de soufflage</i> <i>Fuerza que sopla - Força de sopra</i>		<b>3,4 N @ 6 bar</b>	
	<b>2003/10/CE</b>	<b>Max 85 dBA</b>	<b>8 hr @ 6 bar</b> <b>6 hr @ 8 bar</b>	
	<b>OSHA 1910.95 (b)</b>	<b>Max 90 dB 8 hr</b>		
	<b>OSHA 1910.242 (b)</b>	<b>Max 30 PSI (2,1 bar) when blocked</b>		

**Pistola comprensiva di tappo G1/4**  
 Blowgun includes one bling plung G1/4  
 Blastpistole enthält ein Stopfen G1/4  
 Soufflette comprend un bouchon G1/4  
 Pistola de soplado incluye tapon G1/4  
 Pistola de ar inclui tampao G1/4

**364**

**PISTOLA DI SOFFIAGGIO CON TUBO INOX DI SICUREZZA E DOPPIA ALIMENTAZIONE**

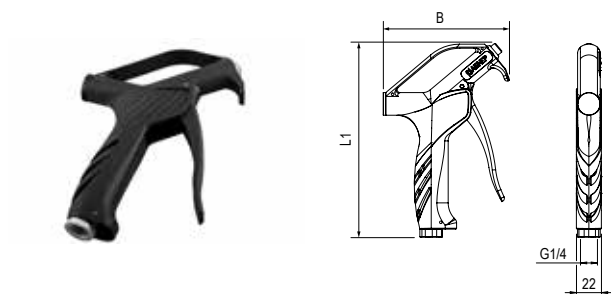
BLOWGUN WITH STAINLESS SAFETY PIPE DOUBLE FEED  
 BLASPISTOLE MIT EDELSTAHL-SICHERHEITS ROHR DOPPELEINZUG  
 SOUFFLETTE AVEC EMBOUT DE SÉCURITÉ INOX AVEC DOUBLE ALIMENTATION  
 PISTOLA DE SOPLADO CON TUBO DE SEGURIDAD INOX DOBLE ALIMENTACION  
 PISTOLA DE AR COM BICO DE SEGURANÇA EM INOX ALIMENTAÇÃO DUPLA



**360**

**PISTOLA DI SOFFIAGGIO SENZA UGELLO**

BLOWGUN WITHOUT PIPE  
 BLASPISTOLE OHNE ROHR  
 SOUFFLETTE SANS EMBOUT  
 PISTOLA DE SOPLADO SIN TUBO  
 PISTOLA DE AR SEM BICO



Code	L	L1	B	Pack.
00364 00 001	90	213.5	190.5	10
		<b>min</b>	<b>max</b>	
<b>Temperature</b>			- 10 °C	+ 80 °C
<b>Pressure</b>			12 bar (1.2 MPa)	
<b>200 NI/min @ 6 bar - 250 NI/min @ 8 bar</b>				
<b>LAeq 73 dBA @ 6 bar</b>				
<b>LAeq 78 dBA @ 8 bar</b>				
<b>Forza su maniglia</b> - Force on handle Kraft am Griff - Force sur la poignée Fuerza en el mango - Força no punho			19,8 N @ 6 bar	
<b>Forza di soffiaggio</b> - Blowing force Kraft der Schlag - Force de soufflage Fuerza que sopla - Força de sopra			2,9 N @ 6 bar	
<b>2003/10/CE</b>	Max 85 dBA	8 hr @ 6 bar		8 hr @ 8 bar
<b>OSHA 1910.95 (b)</b>	Max 90 dB 8 hr			
<b>OSHA 1910.242 (b)</b>	Max 30 PSI (2,1 bar) when blocked			
<b>SUVA - CERTIFIED</b>	Max 85 dBA @ 6 bar			

Pistola comprensiva di tappo G1/4  
 Blowgun includes one bling plung G1/4  
 Blaspistole enthält ein Stopfen G1/4  
 Soufflette comprend un bouchon G1/4  
 Pistola de soplado incluye tapon G1/4  
 Pistola de ar inclui tampao G1/4

Code	L1	B	Pack.
00360 00 001	170.5	111.5	10
		<b>min</b>	<b>max</b>
<b>Temperature</b>			- 10 °C + 80 °C
<b>Pressure</b>			12 bar (1.2 MPa)
<b>Forza su maniglia</b> - Force on handle Kraft am Griff - Force sur la poignée Fuerza en el mango - Força no punho			19,8 N @ 6 bar

**CONFEZIONE STANDARD**

STANDARD PACKAGING  
 STANDARDVERPACKUNG  
 CONDITIONNEMENT  
 EMBALAJE ESTÁNDAR  
 PACOTE PADRÃO





**Elettrovalvole per fluidi**  
*Fluid Solenoid valves*  
*Elektroventile für Flüssigkeiten*  
*Electrovannes pour fluides*  
*Electroválvulas para fluidos*  
*Válvula solenóide para fluidos*



**Richiedi il Catalogo**  
*Request Catalogue*  
*Katalogbestellung*  
*Demande de catalogue*  
*Solicitud de catálogo*  
*Solicite seu catálogo*



### 1 Serie 50000

Raccordi automatici  
Push-in fittings  
Steckverschraubungen  
Raccords instantanés  
Racordaje automático  
Conexões push-in



### 2 Serie 55000

Raccordi automatici in tecnopolimero  
Technopolymeric push-in fittings  
Kunststoff Steckverschraubungen  
Raccords instantanés en tecnopolymère  
Racordaje automático en tecnopolímero  
Conexões push-in em tecnopolímero



### 3 Serie 57000

Raccordi automatici metallici  
Metallic push-in fittings  
Vollmetall Steckverschraubungen  
Raccords instantanés tout laiton nickelé  
Racordaje automático metálico  
Conexões push-in metálicas



### 4 Serie 40000V

Raccordi automatici metallici con guarnizioni FKM  
Metallic push-in Fittings with FKM seal  
Vollmetall Steckverschraubungen mit FKM Dichtungen  
Raccords instantanés tout laiton nickelé joint FKM  
Racordaje automático metálico con juntas FKM  
Conexões push-in metálicas com vedações em FKM



### 5 Serie Foods & Drinks (53000 - 53000X - 59000 - 70000 - Springfit)

Raccordi automatici in PPSU CW510L, INOX 316L, food grade, raccordi a funzione, valvole a sfera, adattatori  
PPSU push-in fitting CW510L, INOX 316L, food grade, function fittings, ball valve, adapters  
Kunststoff steckverschraubungen PPSU CW510L, INOX 316L, lebensmittelkonform, funktionsverschraubungen, magnetventile, adapter  
Raccords instantanés en PPSU CW510L, INOX 316L, qualité alimentaire, raccords à fonctions, robinets à boisseau sphérique, adaptateurs  
Racordaje automático en PPSU CW510L, INOX 316L, food grade, racores a funciones, válvulas, accesorios  
Conexões push-in em PPSU CW510L, INOX 316L, indústria alimentícia, conexões funcionais, válvulas de esfera, acessórios



### 6 Serie Inox (60000 - 61000 - 62000 - 63000 - 66000 - 69000)

Raccordi automatici, a calzamento, a compressione, innesti rapidi, adattatori, valvole a sfera, elettrovalvole e raccordi a funzione  
Push-in fittings, push-on fittings, compression fittings, quick couplings, adapters, ball valve, solenoid valves and function fittings  
Steckverschraubungen, armaturen, verschraubungen, schnellkupplungen, adapter, magnetventile, kugelhähne und funktionsverschraubungen  
Raccords instantanés, à coiffe, à bagues bicône, coupleurs rapides, adaptateurs, distributeurs, robinets à boisseau sphérique et raccords à fonctions  
Racordaje automático, rápido, a compresión, enchufes rápidos, Electrovalvulas, accesorios, válvulas y racores a funciones  
Conexões push-in, push-on, compressão, engates rápidos, Acessórios, válvulas de esfera, válvula solenóide e conexões funcionais



### 7 Serie Inch (85000 - 89000)

Raccordi automatici in tecnopolimero - Raccordi automatici metallici per tubi Inch  
Technopolymeric push-in fitting - Metallic push-in fittings for inch tube  
Kunststoff steckverschraubungen - Vollmetall steckverschraubungen für zoll rohre  
Raccords instantanés en tecnopolymère - Raccords instantanés laiton nickelé pour tubes pouces  
Racordaje automático en tecnopolímero - Racordaje automático metálico para tubo en pulgadas  
Conexões push-in em tecnopolímero - Conexões push-in metálicas para tubos em polegada



### 8 Serie 58000

Raccordi automatici alta pressione  
High pressure push-in fittings  
Steckverschraubungen für Hochdruck  
Raccords instantanés haute pression  
Racordaje automático para alta presión  
Conexões push-in para alta pressão



### 9 Serie 1000

Raccordi a calzamento  
Push-on Fittings  
Überwurfverschraubungen  
Raccords à coiffe  
Racordaje rápido  
Conexões push-on



### 10 Serie Mist Fit

Raccordi automatici per nebulizzazione  
Push-in fittings for mistings systems  
Steckverschraubungen für befeuchtungssysteme  
Raccords instantanés pour brumisation  
Racordaje automáticos para nebulización  
Conexões push-in para sistemas de nebulização





**11 Serie Function**

Raccordi a funzione  
*Function fittings*  
*Funktionsverschraubungen*  
*Raccords à fonctions*  
*Racordaje a funciones neumáticas*  
*Conexões funcionais*

**12 Serie Ghilux**

Valvole a sfera  
*Ball valves*  
*Kugelhähne*  
*Robinets a boisseau sphérique*  
*Válvulas a esfera*  
*Válvulas de esfera*

**13 Serie Adapters**

Raccordi filettati  
*Nickel-Plated brass adaptors*  
*Gewindeverschraubungen*  
*Accessoires de raccordement - Adaptateurs laiton*  
*Racordaje roscado*  
*Acessórios roscados em latão niquelado*

**14 Serie Tubes**

Tubi in materiale plastico  
*Plastic tubes*  
*Plastik Rohre*  
*Tubes et tuyaux techniques*  
*Tubos en material plástico*  
*Tubos em material plástico*

**15 Serie Quick Couplings**

Giunti ad innesto rapido e pistole ad aria  
*Quick Couplings and blow guns*  
*Schnellkupplungen und Blaspistolen*  
*Coupleurs rapides et soufflettes*  
*Enchufes rápidos y pistolas de aire*  
*Conexões de engate rápido e pistolas de ar*

**16 Serie Compression Fittings (9000 - 10000 - 13000 - 13000 Nickel)**

Raccordi a compressione, raccordi a bicono e raccordi universali  
*Compression fittings, double cone fittings and universal fittings*  
*Klemmring Verschraubungen, Doppelkegel Verschraubungen, Universal Verschraubungen*  
*Raccords à compression, Raccords à bicone, Raccords universels laiton*  
*Racordaje a compresión, racordaje universal a bicono, racordaje universal*  
*Conexões de compressão, conexões universais de cone duplo, conexões universais*

**17 Serie Valves**

Valvole Elettropneumatiche, Pneumatiche e Manuali  
*Manual, pneumatic and solenoid pilot valve*  
*Manuelle, Pneumatische- und Elektro-Pneumatische Ventile*  
*Distributeurs électropneumatiques, Pneumatiques et manuels*  
*Válvulas electroneumáticas, neumáticas y manuales*  
*Válvulas eletro-pneumáticas, pneumáticas e manuais*

**18 Serie Electric Actuators**

Cilindri elettrici  
*Electric actuators*  
*Elektrische zylinder*  
*Verins électriques*  
*Cilindros eléctricos*  
*Cilindros elétricos*

**19 Serie Actuators**

Attuatori pneumatici  
*Pneumatic actuators*  
*Pneumatische antriebe*  
*Actionneurs pneumatiques*  
*Actuadores neumáticos*  
*Atuadores pneumáticos*

**20 Serie F.R.L.**

Componenti per il trattamento dell'aria compressa  
*Air treatment units*  
*Druckluftaufbereitung*  
*Unité de traitement d'air comprimé*  
*Componentes para el tratamiento del aire comprimido*  
*Componentes para tratamento de ar comprimido*



