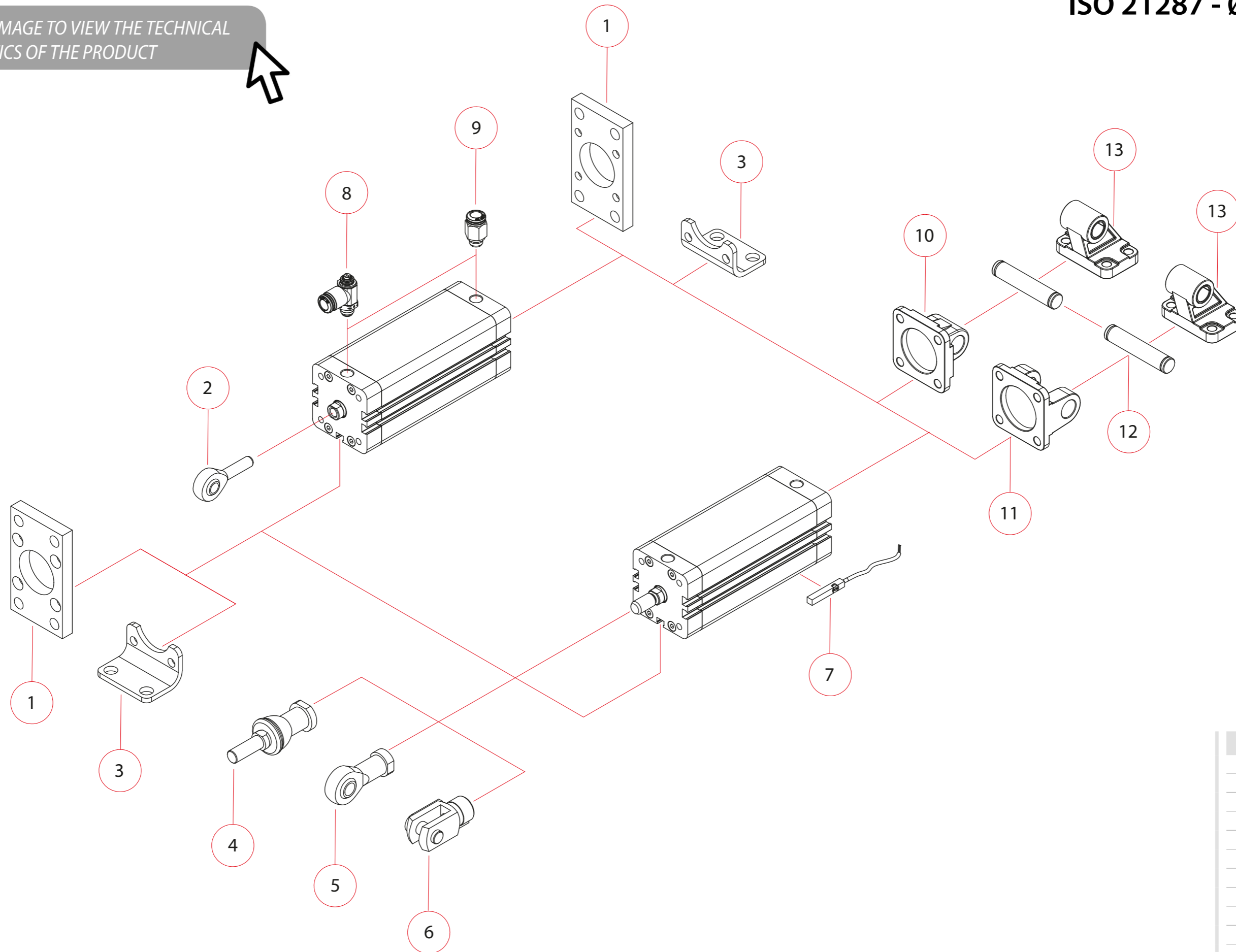
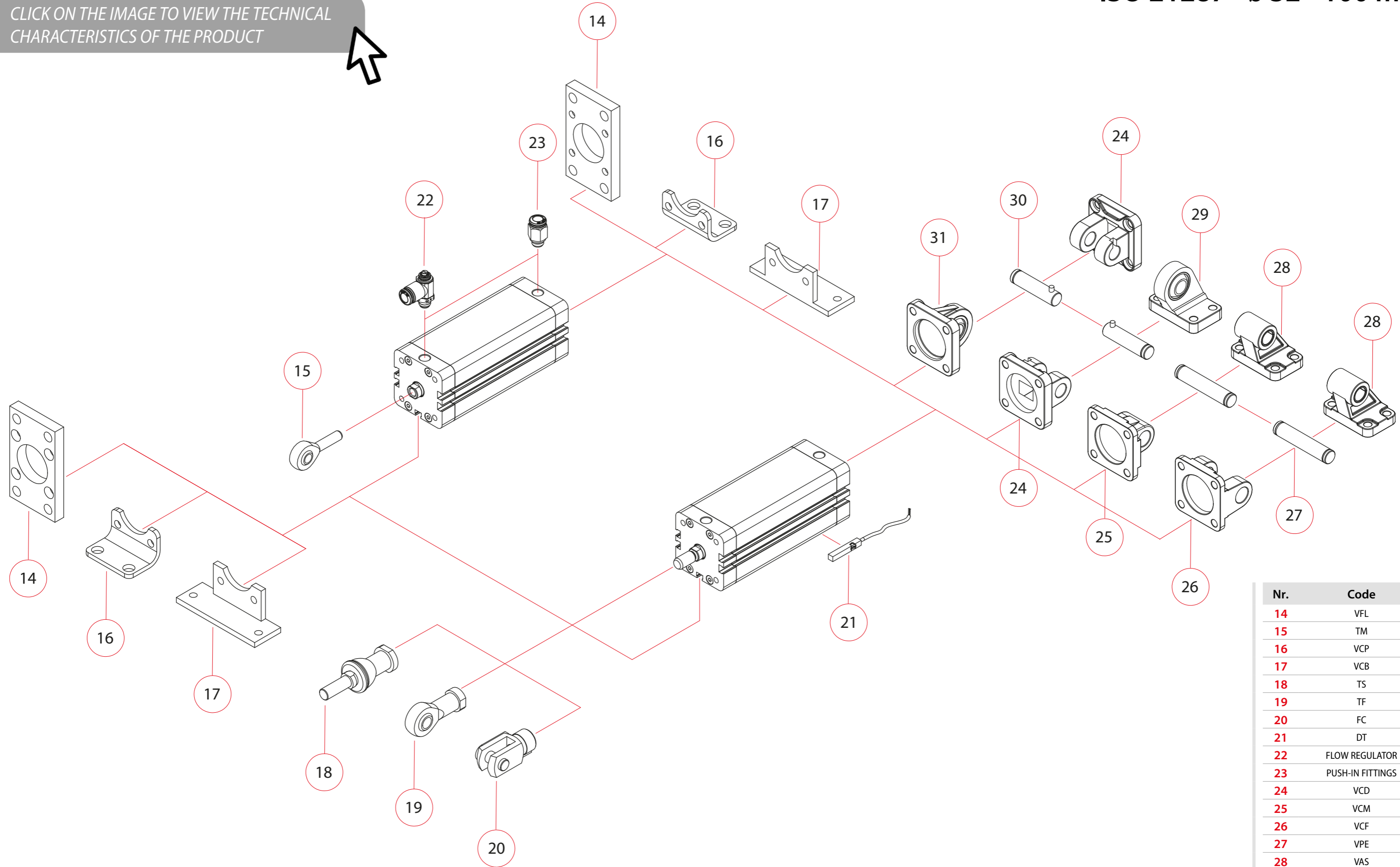


CLICK ON THE IMAGE TO VIEW THE TECHNICAL CHARACTERISTICS OF THE PRODUCT



Nr.	Code
1	QFL
2	TM
3	QCP
4	TS
5	TF
6	FC
7	DT
8	FLOW REGULATOR
9	PUSH-IN FITTINGS
10	QCM
11	QCF
12	VPE
13	VAS

CLICK ON THE IMAGE TO VIEW THE TECHNICAL CHARACTERISTICS OF THE PRODUCT



Nr.	Code
14	VFL
15	TM
16	VCP
17	VCB
18	TS
19	TF
20	FC
21	DT
22	FLOW REGULATOR
23	PUSH-IN FITTINGS
24	VCD
25	VCM
26	VCF
27	VPE
28	VAS
29	VADZ
30	VPS
31	VCS