





EXCELLENT SOLUTIONS IN FLUIDTECHNOLOGY

Da oltre 45 anni, Aignep è leader nella produzione di raccordi per aria compressa e fluidi industriali. Grazie ad uno spirito innovativo costante la nostra azienda ha maturato una esperienza di successo in vari settori della automazione industriale con prodotti di alta qualità e design quali: cilindri ed elettrovalvole, la linea di valvole per controllo dei fluidi "FLUIDITY", la linea di distribuzione di aria compressa "INFINITY", raccordi e innesti speciali per ogni tipo di fluido.

Tutti i prodotti sono progettati da un team di ingegneri qualificati e fabbricati in Italia nel sito produttivo di Bione, 25.000 mq. Sono oltre 14.000 articoli standard a catalogo e innumerevoli versioni speciali disponibili su richiesta.

L'azienda investe ogni anno in automazione, innovazione e servizi per soddisfare le richieste della clientela mondiale. Proprio per essere più vicini ai nostri clienti la nostra azienda conta 11 filiali in USA, Spagna, Francia, Svizzera, Brasile, Colombia, Cina, Russia, Germania, Messico e Vietnam assumendo dunque una dimensione multinazionale.

"EXCELLENT SOLUTIONS IN FLUIDTECHNOLOGY"

"Ascoltare e capire i nostri clienti è la forza che ci spinge a sviluppare ogni giorno nuove soluzioni per fluidi e aria compressa"

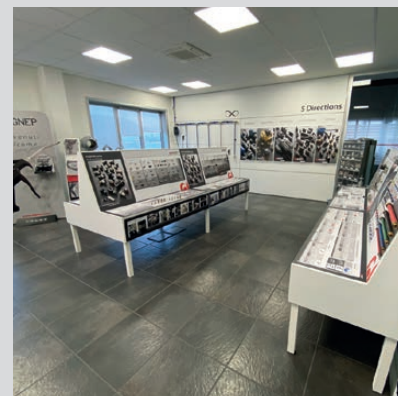
GRAZIANO BUGATTI
Amministratore Delegato

Excellent solutions in Fluidtechnology

For over 45 years, Aignep has been a leading manufacturer of fluid and compressed air FITTINGS. Driven by a constant desire for innovation, our company has gained successful experience in various fields of industrial AUTOMATION with high quality and design products such as: cylinders, pneumatic valves, the "FLUIDITY" line with solenoid control valves for fluids, the "INFINITY" line for compressed air distribution, special fittings and QUICK COUPLING for any types of fluid. All products are designed by a team of qualified engineers and they are manufactured in the production site of Bione, Italy, covering 25.000 m². We have over 14.000 standard items ex stock and countless special versions available on request. Aignep invests every year in industrial automation, innovation and services to meet the worldwide customers' demands. In order to stay closer to our customers, our company has 11 branches spread around the globe: USA, Spain, France, Switzerland, Brasil, Colombia, China, Russian, Germany, Mexico and Vietnam becoming a multinational Group.

"Excellent solutions in fluidtechnology"

"Listening to our customers, understanding their needs is the power that drives us to develop everyday new solutions for fluid and compressed air".



Ausgezeichnete Lösungen in der Fluidtechnik

Seit über 45 Jahren ist Aignep führender Hersteller von Steckverbindungen für Druckluft und industrielle Medien. Dank unserem ständigen Streben nach neuen innovativen Lösungen, hat unser Unternehmen in verschiedenen Bereichen der industriellen Automatisierung sehr gute Ergebnisse erzielt. Unsere Produkte sind weithin bekannt für hochwertige Qualität und italienisches Design: Pneumatik-Zylinder und Ventile, Fluidsteuerventile "FLUIDITY", das Druckluftverteilungssystem "INFINITY", spezielle Kupplungen und Armaturen für alle Medien.

Alle Produkte werden von einem Team qualifizierter Ingenieure entwickelt und in der 25.000 Quadratmeter grossen Produktionsstätte in Bione (Italien) hergestellt. Mehr als 14.000 Standardprodukte stehen im Katalog und unzählige spezielle Ausführungen gibt es auf Anfrage.

Das Unternehmen investiert jährlich in die Automatisierung, Entwicklung und deb Service, um den Anforderungen der Kunden weltweit gerecht zu werden. Um unseren Kunden noch näher zu sein, auf dem Weg zu einem multinationalen Konzern, hat unser Unternehmen 11 regionale Niederlassungen: in den USA, Spanien, Frankreich, der Schweiz, Brasilien, Kolumbien, China, Russland, Deutschland, Mexiko und Vietnam.

"Excellent solutions in fluidtechnology"

"Unseren Kunden zuhören und Ihre Bedürfnisse verstehen, ist die treibende Kraft, damit wir jeden Tag neue Lösungen entwickeln für Flüssigkeiten und Druckluft."

Excellentes solutions dans la Technologie des Fluides

Depuis plus de 45 ans, Aignep est leader dans la fabrication de raccords pour air comprimé et de nombreux fluides industriels. Notre société animée par un esprit d'innovations constant nous conduit à d'excellents résultats dans divers secteurs de l'automatisation industrielle. Nos produits sont largement reconnus pour leur haute qualité: raccords basse pression et coupleurs rapides tous fluides, composants pneumatiques, électrovannes "FLUIDITY", réseau pour air comprimé "INFINITY".

Tous les produits sont conçus par une équipe d'ingénieurs ayant une forte expérience professionnelle et fabriqués en Italie sur le site de production de Bione, 25.000 m². Plus de 14.000 articles standards sont présents dans notre catalogue général avec possibilité de nombreuses versions spéciales sur demande. Chaque année Aignep investit dans l'automatisation, l'innovation et les services pour encore mieux répondre aux exigences de nos clients présents sur tous les continents. Aignep est également représenté avec ses 11 filiales: États-Unis, Espagne, France, Suisse, Brésil, Colombie, Chine, Russie, Allemagne, Mexique et Vietnam prenant ainsi une dimension multinationale.

"Excellent solutions in fluidtechnology"

"L'écoute de nos clients, comprendre leurs besoins nous pousse à développer tous les jours, de nouvelles solutions pour l'air comprimé et les fluides industriels."

Soluciones excelentes en la Tecnología de Fluidos

Desde hace más de 45 años, Aignep es un fabricante líder de racores para aire comprimido y fluidos industriales. Gracias a un espíritu innovador constante, nuestra empresa ha adquirido una experiencia exitosa en diversos campos de la automatización industrial con productos de alta calidad y diseño tales como: cilindros y válvulas, la línea de válvulas de control de fluidos "FLUIDITY", la línea de distribución aire comprimido "INFINITY", acoplamientos y accesorios especiales para cada tipo de fluido.

Todos los productos son diseñados por un equipo de ingenieros cualificados y fabricados en Italia en el centro de producción de Bione, 25.000 metros cuadrados. Hay más de 14.000 productos de catálogo estándar y un sin número de versiones especiales disponibles bajo petición. La empresa invierte anualmente en la automatización, innovación y servicios para satisfacer las demandas de los clientes globales. Sólo para estar más cerca de nuestros clientes nuestra compañía tiene 11 sucursales en el EE.UU., España, Francia, Suiza, Brasil, Kolomupia, China, Rusia, Alemania, México y Vietnam asumiendo así una dimensión multinacional.

"Excellent solutions in fluidtechnology"

"Escuchar y comprender a nuestros clientes es la fuerza que nos impulsa a desarrollar cada día nuevas soluciones para aire comprimido y fluidos."

Soluções de Excelência em Tecnologia de Fluidos

Por mais de 45 anos, a Aignep é um dos líderes na fabricação de conexões para ar comprimido e fluidos industriais. Nossa companhia é guiada por um espírito de constante inovação o qual nos trouxe grandes resultados em vários setores da automação industrial. Nossos produtos são amplamente conhecidos por sua alta qualidade e design italiano: cilindros pneumáticos e válvulas solenóide, válvulas de proceso e controle de fluidos "FLUIDITY", rede de ar comprimido "INFINITY", conexões e engates rápidos para todos os tipos de fluidos. Todos os nossos produtos são desenvolvidos por um time de profissionais extremamente dedicado e capacitado, e são fabricados na tália em nossa planta localizada em Bione, com 25.000 m². Mais de 14.000 itens standard estão disponíveis em nosso catálogo e inúmeras versões especiais são desenvolvidas por encomenda de nossos clientes. Todo ano a Aignep investe em automação, inovação e serviços de forma a satisfazer às demandas de nossa base mundial de clientes. De forma a estar próxima de nossos cliente nossa empresa possui 11 subsidiárias: Estados Unidos, Espanha, França, Suíça, Brasil, Colômbia, China, Rússia, Alemão, México e Vietnam tornando-se um forte grupo multinacional.

"Excellent solutions in fluidtechnology"

"Ouvir nosso clientes e entender suas necessidades é o poder que nos direciona e motiva diariamente no desenvolvimento de novas soluções para os campos de fluidos e ar comprimido."



AIGNEP SPA - Headquarter

Via Don G. Bazzoli - 34
25070 Bione (BS)
ITALY

T: +39 0365 896626
F: +39 0365 896561

aignep.it@aignep.com

Fluidity division:

Via Archimede - 31
20864 Agrate Brianza (MB)
ITALY

AIGNEP USA LLC

7121 Loblolly Pine Blvd
Fairview, TN 37062
U.S.A.

T: +1 615 771 6650
F: +1 615 771 0926

aignep.usa@aignep.com

Sucursal:

Greater Toronto Area
CANADA

T: +1 647 473 6802
aignep.ca@aignep.com

AIGNEP IBERICA SA

Pol. Ind. el Tortuguer "Can Prat"
Naves 23 y 24 08691
Monistrol de Montserrat - Barcelona
SPAIN

T: +34 93 828 47 36
F: +34 93 828 44 32

aignep.es@aignep.com

AIGNEP FRANCE SARL

Rue des Prairies, 4 - 44840
Les Sorinieres
FRANCE

T: +33 27 22 42 650

aignep.fr@aignep.com

AIGNEP (Wuxi) FLUID TECHNOLOGY CO., LT D.

NO. 8, Yanggong Road, Nanhu
Main Road, Wuxi Jiangsu.
CHINA

T: +86 0510 8544 1923
F: +86 0510 8540 0223

aignep.cn@aignep.com

AIGNEP RUS LLC.

Ryazansky prosp. h. 22, build. 2,
office 723, 109428 - Moscow
RUSSIA

T: +7 49 5143 6286

aignep.ru@aignep.com

Distribution network in:

ALBANIA ALGERIA ARGENTINE AUSTRALIA AUSTRIA AZERBAIGIAN BELARUS BELGIUM BOLIVIA BOSNIA
HERZEGOVINA **BRASIL** BULGARIA CAMEROON CANADA CHILE **CHINA** **COLOMBIA** COSTA RICA CROATIA CYPRUS
CZECH REPUBLIC DEM. REP. CONGO DENMARK ECUADOR EGYPT EIRE ESTONIA ETHIOPIA FINLAND **FRANCE**
GERMANY GHANA GREAT BRITAIN GREECE GUATEMALA HONG KONG HUNGARY ICELAND INDIA INDONESIA
IRAN IRAQ ISRAEL **ITALY** IVORY COAST JAPAN JORDAN KAZAKISTAN KUWAIT LATVIA LEBANON LITHUANIA

AIGNEP AG

Industriestrasse 22A
CH-2545 Selzach
SWITZERLAND

T: +41 32 342 09 09
F: +41 32 342 09 11

aignep.ch@aignep.com

AIGNEP DO BRASIL COMERCIO DE COMPONENTES PARA AUTOMAÇÃO LTDA

Rua Batista Pereira, 99 - Macuco
Vila Mathias - 11015-011 - Santos/SP
BRASIL

T: +55 13 2138 4049
F: +55 13 2138 4052

aignep.br@aignep.com

AIGNEP LATAM SAS

Sede:

Calle 15, N 27-78, Local 7
Sec. Paloquemao - 111411
Bogotá
COLOMBIA

T: +57 601 375 2501/8
T: +57 601 744 2086
T: +57 601 745 2736

Sucursal:

Carrera 50 FF, N 8 Sur - 27
Ofi 404 Edificio 8908 - 050023,
Medellin
COLOMBIA
T: +57 46 04 25 34
T: +57 46 04 21 87

aignep.latam@aignep.com

AIGNEP DEUTSCHLAND GMBH

Sitz der Gesellschaft: 48739 Legden
Industriepark 2
GERMANY

T: +49 2566 7039 290
F: +49 2566 7039 299

aignep.de@aignep.com

AIGNEP MÉXICO S.A DE C.V.

Año de Juárez, 177 - 09070
Bodega 2, Granjas de San Antonio
Iztapalapa
MEXICO

T: +52 55 5686 1421
F: +52 55 5686 1575

aignep.mx@aignep.com

AIGNEP VIETNAM COMPANY LIMITED

No.5, Street 3, Lakeview City, Thu
Duc City Ho Chi Minh City
VIETNAM

T: +84 09 7369 4501

aignep.vn@aignep.com

LUXEMBOURG MALAYSIA MAROCCO **MEXICO** MOLDOVA NEW ZELAND NICARAGUA NIGERIA NORTH MACEDONIA
NORWAY OMAN PAKISTAN PERU PHILIPPINES POLAND PORTUGAL QATAR REPUBLIC OF DOMINICANA
REPUBLIC OF MACEDONIA ROMANIA **RUSSIA** SAUDI ARABIA SENEGAL SERBIA SINGAPORE SLOVAKIA
SLOVENIA SOUTH AFRICA SOUTH KOREA **SPAIN** SWEDEN **SWITZERLAND** TAIWAN TANZANIA THAILAND
THE NETHERLANDS TUNISIA TURKEY UKRAINE UAE URUGUAY **USA** **VIETNAM** YEMEN

...more information at: sales@aignep.it



CERTIFICATO n. 0055/8
CERTIFICATE No. 0055/8

SI CERTIFICA CHE IL SISTEMA DI GESTIONE PER LA QUALITÀ DI
WE HEREBY CERTIFY THAT THE QUALITY MANAGEMENT SYSTEM OPERATED BY

AIGNEP S.P.A.
Sede e Unità Operativa
Via Don Bazzoli, 34 - 25070 Bione (BS) - Italia
Direzione e uffici amministrativi, progettazione, produzione e montaggio, magazzino.
Unità Operativa
Via Industriale, 1 - 25070 Bione (BS) - Italia
Montaggio e magazzino.

E CONFORME ALLA NORMA / IS IN COMPLIANCE WITH THE STANDARD

UNI EN ISO 9001:2015

Sistema di Gestione per la Qualità / Quality Management System
PER LE SEGUENTI ATTIVITÀ / FOR THE FOLLOWING ACTIVITIES

EA: 17

Progettazione e fabbricazione di: raccordi; valvole a sfera per l'impiantistica pneumatica, oleodinamica ed idraulica; componenti per il trattamento dell'aria compressa (FRL); cilindri pneumatici; elettrovalvole pneumatiche e per fluidi; sistemi di distribuzione dell'aria compressa.

Design and production of: fittings; ball valves for pneumatic, hydraulic and plumbing applications; components for compressed-air treatment (FRL); pneumatic cylinders; pneumatic and fluid electromagnetic valves; distribution systems for compressed-air.

Il presente documento è un estratto del Documento di Certificazione. Per informazioni sui requisiti del Documento di Certificazione, si prega di consultare il sito web della certificazione o di rivolgersi al personale della certificazione. Per favore, indicare il numero del Documento di Certificazione e l'indirizzo e-mail del cliente.

Data emissione / First issue: 11/12/1992
Emisione corrente / Current issue: 11/09/2018
Data di scadenza / Expiring date: 17/09/2020

ICIM S.p.A.
Via Don Enrico Mattei, 75 - 25070 Sesto San Giovanni (BG)
www.icim.it

CISQ is a member of



IQNet, the association of the world's first class certification bodies, is the largest provider of management system certification in the world. It is a consortium of more than 20 bodies and covers over 150 subsidiaries in over 100 countries.







THE INTERNATIONAL CERTIFICATION NETWORK

CERTIFICATE

CISQ/ICIM SPA has issued an IQNet recognized certificate that the organization:

AIGNEP S.P.A.
Head Office and Operative Unit
Via Don Bazzoli, 34 - I-25070 Bione (BS)
Operative Unit
Via Industriale, 1 - I-25070 Bione (BS)

has implemented and maintains a **Quality Management System** for the following scope:

Design and production of: fittings; ball valves for pneumatic, hydraulic and plumbing applications; components for compressed-air treatment (FRL); pneumatic cylinders; pneumatic and fluid electromagnetic valves; distribution systems for compressed-air. which fulfills the requirements of the following standard:

ISO 9001:2015

Issued on: **2018-09-11**
First issued on: **1992-12-11**
Expires on: **2020-09-17**

This attestation is directly linked to the IQNet Partner's original certificate and shall not be used as a stand-alone document.

Registration Number: **IT-3755**



Alex Stoichitov
President of IQNET



Ing. Claudio Provetti
President of CISQ

IQNet Partners*:
 AENOR Spain APNOR Certification France APCER Portugal CCC Cyprus CISQ Italy
 CQC China CQM China CQS Czech Republic CXC Cert Croatia DQS Holding GmbH Germany FCVAV Brazil
 FONDONORMA Honduras ICONTEC Colombia Impecta Serthofini Oy Finland INTECO Costa Rica
 IRAM Argentina IQA Japan KQ Korea MUREC Greece MSZ Hungary Nemko AS Norway NSAI Ireland
 NYCE-SICE Mexico PUK Poland Quality Austria Austria RE Romania SII Israel SRI Slovenia
 SIRIM QAS International Malaysia SGS Switzerland SRAC Romania TEST SI Petersburg Russia TSE Turkey YUQS Serbia
 IQNet is represented in the USA by: APNOR Certification, CISQ, DQS Holding GmbH and NSAI Inc.

* The list of IQNet partners is valid at the time of issue of this certificate. Updated information is available under www.iqnet-certification.com



Technická inšpekcia, a.s.
Trnavská cesta 56, 821 01 Bratislava, Slovenská republika

ACKNOWLEDGEMENT OF RECEIPT
no. 1488/1/2022

Technická inšpekcia, a.s.,
Trnavská cesta 56, 821 01 Bratislava
Notified body: 1354
confirms, that Technical File Documentation prepared by **AIGNEP SpA** Via Don G. Bazzoli 34, 25070 Bione (BS), Italy has been received and stored according to the Article 13.1(b) (ii) of Directive no. 2014/54/EU on equipment and protective systems intended for use in potentially explosive atmospheres

Scope of Ex Equipment:
Fluid Solenoid Assisted Valves

01F, 02F, 03F, 04F, X1F, X2F, X4F, F1F, F2F, 05F, K0F, K2A, K2A, 04A, X4A, X3F

Marking: II 2 G Ex h IIB T8...T3 Gb -10°C<Tamb<50°C
II 2 G Ex h IIB T80°C...200°C Db -10°C<Tamb<80°C

Technical File Documentation according to the Annex VIII Article 2 of Directive 2014/54/EU

Documentation:	Issue:
Technical Book n°3/2022	Issue 50, Rev 03
	Date of Issue: 21.3.2022

Technical documentation will be stored for 10 years until May 18th, 2032.

Bratislava, May 18th, 2022

On behalf of Technická inšpekcia, a.s.
Ing. Jozef Vojtech
General Director




CERTIFICATE No.: EUROCERT 23 AFTER 0024

CERTIFICATE OF RECEIPT OF TECHNICAL DOCUMENTATION
According to equipment or protective systems intended for use in potentially explosive atmospheres under DIRECTIVE 2014/54/EU.

Manufacturer : AIGNEP SPA
(Name & Address) : VIA DON GIUSEPPE BAZZOLI N. 34 25070 BIONE - BRESCIA - ITALY
TCF No. : TCF-VC-HV-2023004
Product Description : Angle Seat Valve, Pneumatic Shuttle Valve, Check Valve, Strainer, Pressure Reducing Valve, Steam Trap, Diaphragm Valve
Model(s) : DNR100
Apparatus Marking : II 2G/D h T4

Eurocert S.A. is Notified Body 1328, hereby acknowledges that the manufacturer has fulfilled its duties concerning communication of the dossier of technical documentation to a Notified Body in accordance with the requirements of Directive 2014/54/EU, Article 13, 1. (b) (ii).

If the manufacturer makes any changes to the Technical Documentation mentioned above, this certificate becomes invalid. Possible additions or modifications to the stored Technical Documentation shall be acknowledged by a future revision of this Certificate.

Date issued: 20/03/2023
Valid until: 19/03/2033

Director of Notified Bodies


VDE Prüf- und Zertifizierungsinstitut

ZEICHENGENEHMIGUNG
MARKS APPROVAL

Aignep s.p.a.
VIA DON GIUSEPPE BAZZOLI 34
25070 BIONE, BS
Italy

ist berechtigt, für ihr Produkt / is authorized to use for their product
Elektrisch betriebenes Ventil
Electrically operated valve

die für abgedruckten markenrechtlich geschützten Zeichen für die ab Blatt 2 aufgeführten Typen zu benutzen / the legally protected Marks as shown below for the types referred to on page 2 ff.



Geprüft und zertifiziert nach / Tested and certified according to
DIN EN 60730-1 / IEC 60311-1:2011-06, EN 60730-2 / IEC 60311-2:2011-06
EN 60730-3 / IEC 60311-3:2011-06
Abschleiftest / Withdrawals: 7-8-10-11-12-13-14-15-16-18-20-21-22

Das Produkt erfüllt auch die Anforderungen nach / The product also fulfills the requirements of
IEC 60730-1:2011
IEC 60730-2:2011-06
IEC 60730-3:2011-06
Abschleiftest / Withdrawals: 7-8-10-11-12-13-14-15-16-18-20-21-22

Altkennzeichen: 502084-4510-0001 / 332544
File ref.:
Aignep-Id: 40061272 Blatt: 1
Certificate No.: 00000000000000000000 Page
Geprüft und zertifiziert durch / Tested and certified by:
VDE Prüf- und Zertifizierungsinstitut
Zertifizierungsinstitut / Certification Institute
Offenbach, 2025-11-19

VDE-Zeichene und nur gering bei Veröffentlichung unter VDE-Zeichene und nur gering bei Veröffentlichung unter
http://www.vde.com/certified
http://www.vde.com/certified





MY AIGNEP

I tuoi documenti online

Your documents online

Ihre Dokumente online

Vos documents online

Sus documentos online

Seus documentos online



AIGNEP SCAN

I tuoi ordini in un click

Your orders in one click

Ihre Bestellungen per Mausclick

Vos commandes en un clic

Sus pedidos en un clic

Suas ordens em um clique



Catalogues

I nostri cataloghi a vostra completa disposizione

Our catalogues at your disposal

Unsere Kataloge als PDF oder Papier, wählen sie selbst

Nos catalogues sont à votre disposition

Nuestros catálogos a su completa disposición

Nossos catálogos à sua disposição

0. Introduction

COME LEGGERE IL NUOVO CATALOGO FLUIDITY

Pag 0.1 - 0.4

HOW TO READ THE NEW FLUIDITY CATALOG
 ENTDECKEN SIE UNSEREN NEUEN KATALOG FLUIDITY
 COMMENT LIRE LE NOUVEAU CATALOGUE FLUIDITY
 CÓMO LEER EL NUEVO CATÁLOGO FLUIDITY
 COMO LER O NOVO CATÁLOGO FLUIDITY

INTRODUZIONE E FUNZIONAMENTO - TIPOLOGIA DI ELETTROVALVOLE

Pag 0.5 - 0.10

INTRODUCTION AND FUNCTION - SOLENOID VALVE TYPES
 EINFÜHRUNG UND FUNKTIONSWEISE - MAGNETVENTIL TYPEN
 INTRODUCTION ET FONCTIONNEMENT - TYPE D'ÉLECTROVANNES
 INTRODUCCIÓN Y FUNCIONAMIENTO - VERSIÓN DE LA ELECTROVÁLVULA
 INTRODUÇÃO E FUNCIONAMENTO - VERSÕES DA VÁLVULA SOLENÓIDE

INFORMAZIONI TECNICHE GENERALI

Pag 0.11 - 0.12

GENERAL TECHNICAL INFORMATION
 ALLGEMEINE TECHNISCHE INFORMATIONEN
 INFORMATIONS TECHNIQUES GÉNÉRALES
 INFORMACIÓN TÉCNICA GENERAL
 INFORMAÇÕES TÉCNICAS GERAIS

COEFFICIENTI DI PORTATA K_v e C_v - VISCOSITÀ

Pag 0.13 - 0.14

FLOW COEFFICIENTS K_v and C_v - VISCOSITY
 DURCHFLUSSKOEFFIZIENTEN K_v und C_v - VISKOSITÄT
 COEFFICIENTS DE DÉBIT K_v et C_v - VISCOSITÉ
 COEFICIENTES DE CAUDAL K_v y C_v - VISCOSIDAD
 COEFICIENTES DE FLUXO K_v e C_v - VISCOSIDADE

CALCOLO DELLA PORTATA - GRADO DI PROTEZIONE IP

Pag 0.15 - 0.16

FLOW CALCULATION - IP PROTECTION CLASS
 DURCHFLUSSBERECHNUNG - IP SCHUTZGRAD
 CALCUL DE LA PORTÉE - DEGRÉ DE PROTECTION IP
 CÁLCULO DEL CAUDAL - GRADO DE PROTECCIÓN IP
 CÁLCULO DE FLUXO - GRAU DE PROTEÇÃO IP

INFORMAZIONI TECNICHE BOBINE

Pag 0.17 - 0.18

COILS TECHNICAL INFORMATION
 SPULEN TECHNISCHE INFORMATIONEN
 INFORMATIONS TECHNIQUES SUR LES BOBINES
 BOBINAS INFORMACIÓN TÉCNICA
 BOBINAS INFORMAÇÕES TÉCNICAS

TABELLE DI CONVERSIONE VALORI DI PRESSIONE - TEMPERATURA - VAPORE

Pag 0.19 - 0.20

CONVERSION TABLES PRESSURE - TEMPERATURE - STEAM VALUES
 UMRECHNUNGSTABELLEN DRUCKWERTE - TEMPERATUR - DAMPF
 TABLEAUX DE CONVERSION VALEURS DE PRESSION - TEMPÉRATURE - VAPEUR
 TABLAS DE CONVERSIÓN VALORES DE PRESIÓN - TEMPERATURA - VAPOR
 TABELAS DE CONVERSÃO VALORES DE PRESSÃO - TEMPERATURA - VAPOR

TABELLA DI COMPATIBILITÀ CHIMICA - CARATTERISTICHE MATERIALI DI TENUTA

Pag 0.21 - 0.22

CHEMICAL COMPATIBILITY TABLE - SEALING MATERIALS FEATURES
 CHEMISCHE KOMPATIBILITÄTSTABELLE - EIGENSCHAFTEN VON DICHTUNGSMATERIALIEN
 TABLEAU DE COMPATIBILITÉ CHIMIQUE - CARACTÉRISTIQUES DES MATÉRIAUX D'ÉTANCHÉITÉ
 TABLA DE COMPATIBILIDAD QUÍMICA - CARACTERÍSTICAS DE LOS MATERIALES DE SELLADO
 TABELA DE COMPATIBILIDADE QUÍMICA - CARACTERÍSTICAS DOS MATERIAIS DE VEDAÇÃO

TEMPI DI RISPOSTA - INSTALLAZIONE E MANUTENZIONE

Pag 0.23 - 0.26

RESPONSE TIMES - INSTALLATION AND MAINTENANCE
 REAKTIONSZEIT - INSTALLATIONS UND WARTUNGSHINWEISE
 TEMPS DE RÉPONSE - INSTALLATION ET MAINTENANCE
 TIEMPO DE RESPUESTA - INSTALACION Y MANTENIMIENTO
 TEMPOS DE RESPOSTA - INSTALAÇÃO E MANUTENÇÃO

1. Serie 01F 2/2 NC-NO - 3/2 NC-NO - 2/2 LATCHING

ELETTROVALVOLE AD AZIONAMENTO DIRETTO CON CORPO IN OTTONE

DIRECT ACTING SOLENOID VALVES WITH BRASS BODY
 MAGNETVENTILE MIT DIREKTER BETÄTIGUNG MIT MESSINGGEHÄUSE
 ÉLECTROVANNES À COMMANDE DIRECTE AVEC CORPS EN LAITON
 ELECTROVÁLVULAS DE ACCIONAMIENTO DIRECTO CON CUERPO DE LATÓN
 ELETROVÁLVULAS DE ACIONAMENTO DIRETO COM CORPO DE LATÃO



2. Serie X1F 2/2 NC-NO - 3/2 NC-NO - 2/2 LATCHING

ELETTROVALVOLE AD AZIONAMENTO DIRETTO CON CORPO IN ACCIAIO INOX 316L

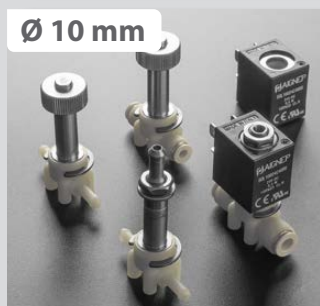
DIRECT ACTING SOLENOID VALVES WITH STAINLESS STEEL 316L BODY
 DIREKTWIRKENDE MAGNETVENTILE MIT EDELSTAHLGEHÄUSE 316L
 ELECTROVANNES A ACTIONNEMENT DIRECT AVEC CORPS EN ACIER INOX 316L
 ELECTROVÁLVULAS DE ACCIONAMIENTO DIRECTO CON CUERPO EN ACERO INOX 316L
 ELETROVÁLVULAS DE ACIONAMENTO DIRETO COM CORPO EM AÇO-INOX 316L



3. Serie T1F 2/2 NC-NO - 3/2 NC

ELETTROVALVOLE AD AZIONAMENTO DIRETTO CON CORPO IN TECNOPOLIMERO

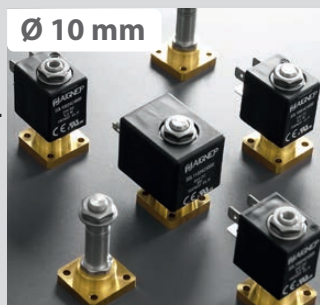
DIRECT ACTING SOLENOID VALVES WITH TECHNOPOLYMER BODY
 MAGNETVENTILE MIT DIREKTER BETÄTIGUNG MIT GEHÄUSE AUS TECHNOPOLYMER
 ÉLECTROVANNES À COMMANDE DIRECTE AVEC CORPS EN TECHNOPOLYMÈRE
 ELECTROVÁLVULAS DE ACCIONAMIENTO DIRECTO CON CUERPO DE TECNOPOLÍMERO
 ELETROVÁLVULAS DE ACIONAMENTO DIRETO COM CORPO EM TECNOPOLÍMERO



4. Serie F1F 2/2 NC-NO - 3/2 NC-NO - 2/2 LATCHING

ELETTROVALVOLE AD AZIONAMENTO DIRETTO CON FISSAGGIO A FLANGIA E CORPO IN OTTONE CW510L

DIRECT ACTING SOLENOID VALVES WITH FLANGE FIXING AND BRASS CW510L BODY
 MAGNETVENTILE MIT DIREKTER BETÄTIGUNG FLANSCHBEFESTIGUNG UND MESSINGGEHÄUSE CW510L
 ELECTROVANNES A ACTIONNEMENT DIRECT AVEC FIXATION DE LA BRIDE ET CORPS EN LAITON CW510L
 ELECTROVÁLVULAS DE ACCIONAMIENTO DIRECTO CON FIJACIÓN DE BRIDA Y CUERPO DE LATÓN CW510L
 ELETROVÁLVULAS DE ACIONAMENTO DIRETO COM FIXAÇÃO DE FLANGE E CORPO DE LATÃO CW510L



5. Serie 02F 2/2 NC-NO - 3/2 NC-NO

ELETTROVALVOLE AD AZIONAMENTO DIRETTO CON CORPO IN OTTONE

DIRECT ACTING SOLENOID VALVES WITH BRASS BODY
 MAGNETVENTILE MIT DIREKTER BETÄTIGUNG MIT MESSINGGEHÄUSE
 ÉLECTROVANNES À COMMANDE DIRECTE AVEC CORPS EN LAITON
 ELECTROVÁLVULAS DE ACCIONAMIENTO DIRECTO CON CUERPO DE LATÓN
 ELETROVÁLVULAS DE ACIONAMENTO DIRETO COM CORPO DE LATÃO



6. Serie X2F 2/2 NC-NO - 3/2 NC-NO

ELETTROVALVOLE AD AZIONAMENTO DIRETTO CON CORPO IN ACCIAIO INOX 316L

DIRECT ACTING SOLENOID VALVES WITH STAINLESS STEEL 316L BODY
 DIREKTWIRKENDE MAGNETVENTILE MIT EDELSTAHLGEHÄUSE 316L
 ELECTROVANNES A ACTIONNEMENT DIRECT AVEC CORPS EN ACIER INOX 316L
 ELECTROVÁLVULAS DE ACCIONAMIENTO DIRECTO CON CUERPO EN ACERO INOX 316L
 ELETROVÁLVULAS DE ACIONAMENTO DIRETO COM CORPO EM AÇO-INOX 316L



7. Serie K2F 2/2 NC-NO - 3/2 NC-NO

ELETTROVALVOLE AD AZIONAMENTO DIRETTO CON CORPO IN ACCIAIO INOX 304

DIRECT ACTING SOLENOID VALVES WITH STAINLESS STEEL 304 BODY

DIREKTWIRKENDE MAGNETVENTILE MIT EDELSTAHLGEHÄUSE 304

ELECTROVANNES A ACTIONNEMENT DIRECT AVEC CORPS EN ACIER INOX 304

ELECTROVÁLVULAS DE ACCIONAMIENTO DIRECTO CON CUERPO EN ACERO INOX 304

ELETTROVÁLVULAS DE ACIONAMENTO DIRETO COM CORPO EM AÇO-INOX 304



8. Serie F2F 2/2 NC-NO - 3/2 NC-NO

ELETTROVALVOLE AD AZIONAMENTO DIRETTO CON FISSAGGIO A FLANGIA E CORPO IN OTTONE CW510L

DIRECT ACTING SOLENOID VALVES WITH FLANGE FIXING AND BRASS CW510L BODY

MAGNETVENTILE MIT DIREKTER BETÄTIGUNG FLANSCHBEFESTIGUNG UND MESSINGGEHÄUSE CW510L

ELECTROVANNES A ACTIONNEMENT DIRECT AVEC FIXATION DE LA BRIDE ET CORPS EN LAITON CW510L

ELECTROVÁLVULAS DE ACCIONAMIENTO DIRECTO CON FIJACIÓN DE BRIDA Y CUERPO DE LATÓN CW510L

ELETTROVÁLVULAS DE ACIONAMENTO DIRETO COM FIXAÇÃO DE FLANGE E CORPO DE LATÃO CW510L



9. Serie 03F 2/2 NC

ELETTROVALVOLE A MEMBRANA GUIDATA CON CORPO IN OTTONE

GUIDED DIAPHRAGM SOLENOID VALVES WITH BRASS BODY

GEFÜHRTE MEMBRAN-MAGNETVENTILE MIT MESSINGGEHÄUSE

ÉLECTROVANNES À MEMBRANE GUIDÉE AVEC CORPS EN LAITON

ELECTROVALVULAS DE MEMBRANA GUIADA CON CUERPO DE LATÓN

ELETTROVÁLVULAS DE MEMBRANA GUIADA COM CORPO DE LATÃO



10. Serie X3F 2/2 NC

ELETTROVALVOLE A MEMBRANA GUIDATA CON CORPO IN ACCIAIO INOX AISI 316L

GUIDED DIAPHRAGM SOLENOID VALVES WITH IN STAINLESS STEEL AISI 316L BODY

GEFÜHRTE MEMBRAN-MAGNETVENTILE MIT EDELSTAHL AISI 316L

ÉLECTROVANNES À MEMBRANE GUIDÉE AVEC CORPS EN ACIER INOX AISI 316L

ELECTROVALVULAS DE MEMBRANA GUIADA CON CUERPO EN ACERO INOX AISI 316L

ELETTROVÁLVULAS DE MEMBRANA GUIADA COM CORPO EM AÇO INOX AISI 316L



11. Serie 04F 2/2 NC-NO - 2/2 LATCHING

ELETTROVALVOLE SERVO-AZIONATE CON CORPO IN OTTONE

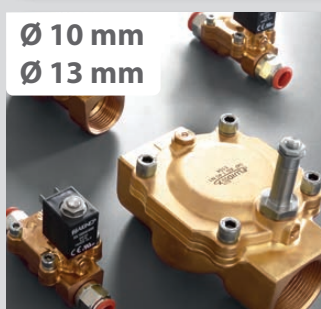
SERVO-ASSISTED SOLENOID VALVES WITH BRASS BODY

SERVO-GESTEUERTE MAGNETVENTILE MIT MESSINGGEHÄUSE

ÉLECTROVANNES SERVO ASSISTEES AVEC CORPS EN LAITON

ELECTROVALVULA SERVOACCIONADA CON CUERPO DE LATÓN

ELETTROVÁLVULAS SERVO-PILOTADAS COM CORPO DE LATÃO



12. Serie X4F 2/2 NC-NO - 2/2 LATCHING

ELETTROVALVOLE SERVO-AZIONATE CON CORPO IN ACCIAIO INOX 316L

SERVO-ASSISTED SOLENOID VALVES WITH STAINLESS STEEL 316L BODY

SERVO-GESTEUERTE MAGNETVENTILE MIT EDELSTAHLGEHÄUSE 316L

ÉLECTROVANNES SERVO ASSISTEES AVEC CORPS EN ACIER INOX 316L

ELECTROVALVULA SERVOACCIONADA CON CUERPO EN ACERO INOX 316L

ELETTROVÁLVULAS SERVO-PILOTADAS COM CORPO EM AÇO-INOX 316L



13. Serie 05F 2/2 NC**ELETTROVALVOLE SERVO-AZIONATE A PISTONE CON CORPO IN OTTONE**

PISTON SERVO-ASSISTED SOLENOID VALVES WITH BRASS BODY
 SERVO-GESTEUERTE MAGNETVENTILE MIT KOLBEN MIT MESSINGGEHÄUSE
 ÉLECTROVANNES SERVO ASSISTÉES À PISTON AVEC CORPS EN LAITON
 ELECTROVALVULA SERVOACCIONADA DE PISTÓN CON CUERPO DE LATÓN
 ELETROVÁLVULAS SERVO-PILOTADAS DE PISTÃO COM CORPO DE LATÃO

**14. Serie 06F 2/2 NC ΔP = 0 bar****ELETTROVALVOLE A MEMBRANA TRAINATA**

ASSISTED-LIFT DIAPHRAGM SOLENOID VALVES
 MEMBRAN-MAGNETVENTILE MIT UNTERSTÜTZTEM HUB
 ÉLECTROVANNES À MEMBRANE À LEVAGE ASSISTÉ
 ELECTROVALVULAS DE MEMBRANA DE ELEVACIÓN ASISTIDA
 ELETROVÁLVULAS DE MEMBRANA COM ELEVAÇÃO ASSISTIDA

**15. Serie X6F 2/2 NC ΔP = 0 bar****ELETTROVALVOLE A MEMBRANA TRAINATA IN ACCIAIO INOX 316L**

ASSISTED-LIFT DIAPHRAGM SOLENOID VALVES IN STAINLESS STEEL 316L
 MEMBRAN-MAGNETVENTILE MIT UNTERSTÜTZTEM HUB MIT EDELSTAHL 316L
 ÉLECTROVANNES À MEMBRANE À LEVAGE ASSISTÉ EN ACIER INOX 316L
 ELECTROVALVULAS DE MEMBRANA DE ELEVACIÓN ASISTIDA EN ACERO INOX 316L
 ELETROVÁLVULAS DE MEMBRANA COM ELEVAÇÃO ASSISTIDA EM AÇO INOX 316L

**16. Serie 08F 2/2 NO****ELETTROVALVOLE IN LINEA AD AZIONAMENTO DIRETTO CON CORPO IN OTTONE**

DIRECT ACTUATED IN-LINE SOLENOID VALVES WITH BRASS BODY
 INLINE-MAGNETVENTILE MIT DIREKTER BETÄTIGUNG MIT MESSINGGEHÄUSE
 ÉLECTROVANNES EN LIGNE À COMMANDE DIRECTE AVEC CORPS EN LAITON
 ELECTROVÁLVULAS EN LÍNEA DE ACCIONAMIENTO DIRECTO CON CUERPO DE LATÓN
 ELETROVÁLVULAS EM LINHA DE ACIONAMENTO DIRETO COM CORPO DE LATÃO

**17. Serie 02A 2/2 NC****ELETTROVALVOLE AD AZIONAMENTO DIRETTO CON CORPO IN OTTONE PER BOBINA ATEX "SERIE Y"**

DIRECT ACTING SOLENOID VALVES WITH BRASS BODY FOR "SERIES Y" ATEX COIL
 MAGNETVENTILE MIT DIREKTER BETÄTIGUNG MIT MESSINGGEHÄUSE FÜR SPULE ATEX "Y-SERIE"
 ELECTROVANNES À COMMANDE DIRECTE AVEC CORPS EN LAITON POUR BOBINE ATEX "SERIE Y"
 ELECTROVÁLVULAS DE ACCIONAMIENTO DIRECTO CON CUERPO DE LATÓN PARA BOBINA ATEX "SERIE Y"
 ELETROVÁLVULAS DE ACIONAMENTO DIRETO COM CORPO DE LATÃO PARA BOBINA ATEX "SERIE Y"

**17. Serie X2A 2/2 NC****ELETTROVALVOLE AD AZIONAMENTO DIRETTO CON CORPO IN ACCIAIO INOX 316L PER BOBINA ATEX "SERIE Y"**

DIRECT ACTING SOLENOID VALVES WITH STAINLESS STEEL 316L BODY FOR "SERIES Y" ATEX COIL
 MAGNETVENTILE MIT DIREKTER BETÄTIGUNG MIT KÖRPER EDELSTAHL 316L FÜR SPULE ATEX "Y-SERIE"
 ELECTROVANNES À COMMANDE DIRECTE AVEC CORPS EN ACIER INOX 316L POUR BOBINE ATEX "SERIE Y"
 ELECTROVÁLVULAS DE ACCIONAMIENTO DIRECTO CON CUERPO DE ACERO INOX 316L PARA BOBINA ATEX "SERIE Y"
 ELETROVÁLVULAS DE ACIONAMENTO DIRETO COM CORPO EM AÇO-INOX 316L PARA BOBINA ATEX "SERIE Y"



17. Serie K2A 2/2 NC

ELETTROVALVOLE AD AZIONAMENTO DIRETTO CON CORPO IN ACCIAIO INOX 304 PER BOBINA ATEX "SERIE Y"
 DIRECT ACTING SOLENOID VALVES WITH STAINLESS STEEL 304 BODY FOR "SERIES Y" ATEX COIL
 MAGNETVENTILE MIT DIREKTER BETÄTIGUNG MIT KÖRPER EDELSTAHL 304 FÜR SPULE ATEX "Y-SERIE"
 ELECTROVANNES À COMMANDE DIRECTE AVEC CORPS EN ACIER INOX 304 POUR BOBINE ATEX "SERIE Y"
 ELECTROVALVULA DE ACCIONAMIENTO DIRECTO CON CUERPO DE ACERO INOX 304 PARA BOBINA ATEX "SERIE Y"
 ELETROVÁLVULAS DE ACIONAMENTO DIRETO COM CORPO EM AÇO-INOX 304 PARA BOBINA ATEX "SERIE Y"



17. Serie 04A 2/2 NC

ELETTROVALVOLE SERVO-AZIONATE CON CORPO IN OTTONE PER BOBINA ATEX "SERIE Y"
 SERVO-ASSISTED SOLENOID VALVES WITH BRASS BODY FOR "SERIES Y" ATEX COIL
 SERVO-GESTEUELTE MAGNETVENTILE MIT MESSINGGEHÄUSE FÜR SPULE ATEX "Y-SERIE"
 ELECTROVANNES SERVO ASSISTEES AVEC CORPS EN LAITON POUR BOBINE ATEX "SERIE Y"
 ELECTROVALVULA SERVOACCIONADA CON CUERPO DE LATÓN PARA BOBINA ATEX "SERIE Y"
 ELETROVÁLVULAS SERVO-PILOTADAS COM CORPO DE LATÃO PARA BOBINA ATEX "SERIE Y"



17. Serie X4A 2/2 NC

ELETTROVALVOLE SERVO-AZIONATE CON CORPO IN ACCIAIO INOX AISI 316L PER BOBINA ATEX "SERIE Y"
 SERVO-ASSISTED SOLENOID VALVES WITH STAINLESS STEEL 316L BODY FOR "SERIES Y" ATEX COIL
 SERVO-GESTEUELTE MAGNETVENTILE MIT KÖRPER EDELSTAHL AISI 316L FÜR SPULE ATEX "Y-SERIE"
 ÉLECTROVANNES SERVO ASSISTEES AVEC CORPS EN ACIER INOX AISI 316L POUR BOBINE ATEX "SERIE Y"
 ELECTROVALVULA SERVOACCIONADA CON CUERPO EN ACERO INOX AISI 316L PARA BOBINA ATEX "SERIE Y"
 ELETROVÁLVULAS SERVO-PILOTADAS COM CORPO EM AÇO INOX AISI 316L PARA BOBINA ATEX "SERIE Y"



18. Serie 90975 - 90976 2/2 NC

VALVOLA DI SCARICO CONDENZA
 DRAIN VALVE
 ABLASSVENTIL
 ROBINET DE PURGE DES CONDENSATS
 VÁLVULA DE VACIADO
 VÁLVULA DE DRENAGEM



19. Coils & Connectors

BOBINE E CONNETTORI
 COILS AND CONNECTORS
 SPULEN UND STECKER
 BOBINES ET CONNECTEURS
 BOBINAS Y CONECTORES
 BOBINAS E CONECTORES



20. Accessories & Solenoid Pilots

RICAMBI E ACCESSORI FLUIDITY - ELETTROPILOTI
 FLUIDITY SPARE PARTS AND ACCESSORIES - SOLENOID PILOTS
 FLUIDITY ERSATZTEILE UND ZUBEHÖR - ELEKTROPILOTEN
 PIÈCES ET ACCESSOIRES FLUIDITY - ÉLECTROPILOTES
 RECAMBIOS Y ACCESORIOS FLUIDITY - ELECTROPILOTOS
 SOBRESSELENTES E ACESSÓRIOS FLUIDITY - PILOTOS ELÉTRICOS



21. Serie X7F**VALVOLA COASSIALE DI INTERCETTAZIONE**

COAXIAL VALVE

PNEUMATISCHES AXIALVENTIL

VANNE COAXIALE

VÁLVULA COAXIAL

VÁLVULA COAXIAL DE INTERCEPTAÇÃO

**22. Serie 09F****2/2 NC****VALVOLA A IMPULSI**

PULSE VALVE

IMPULSMAGNETVENTIL

ÉLECTROVANNE À IMPULSION

VÁLVULA DE IMPULSE

VÁLVULA DE PULSO

**23. Serie X1Y - X2Y****2/2 NC****VALVOLE A SEDE INCLINATA**

ANGLE SEAT VALVES

SCHRÄGSITZVENTIL

VANNES À SIÈGE INCLINÉ

VÁLVULAS DE ASIEN TO INCLINADO

VÁLVULAS DE ASSEN TO ANGULAR



FLUIDITY

Solenoid valves for fluids

www.aignep.com

Aignep, azienda italiana leader nella produzione di componenti per il controllo dei fluidi, ingegnerizza e produce la gamma di elettrovalvole FLUIDITY per l'utilizzo con fluidi liquidi e gassosi.

Dal design semplice e compatto, le elettrovalvole FLUIDITY sono disponibili nelle versioni 2/2 e 3/2, ad azionamento diretto e servo-azionate, NC e NA, nelle taglie da 1/8" fino a 2" e l'intera gamma è certificata ATEX II 2G/D Ex h.

I corpi sono disponibili in diversi tipi di ottone e Acciaio Inox, con ampia scelta di guarnizioni a seconda della compatibilità con il fluido.



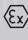
I materiali utilizzati consentono alle elettrovalvole FLUIDITY di essere installate anche in applicazioni alimentari o a contatto con fluidi aggressivi e raggiungere temperature di lavoro da -40°C a +180°C.

Le bobine proposte consentono di ottenere prestazioni elevate e, a richiesta, basso consumo energetico.

Molteplici sono le combinazioni con i nostri raccordi a seconda dell'applicazione e del fluido da gestire.

Oltre ai prodotti standard presenti a catalogo, siamo in grado di realizzare soluzioni customizzate per soddisfare le richieste più esigenti dei nostri Clienti.

Principali vantaggi

- Design semplice, compatto e robusto
- Valvole certificate ATEX II 2G/D Ex h, VDE
- Alte pressioni e portate elevate
- Guarnizioni di alta qualità: tenuta perfetta a fronte di un elevato numero di cicli di lavoro
- Bobine in classe H
- Bobine certificate  -  - CSA C22.2 - 
- Tracciabilità dei prodotti
- Disponibilità a magazzino per consegna rapida
- 100% Made in Italy

Applicazioni

- Industria alimentare
- Coffee & vending
- Irrigazione
- Processi industriali e Automazione
- Macchine utensili, Taglio laser
- Automotive
- Compressori
- Sistemi di Lavaggio, Idropultrici
- Car wash
- Misting
- Riscaldamento e Refrigerazione
- Medica
- Sterilizzatori
- Vuoto
- Industria Chimica e Petrochimica
- Sistemi antincendio

Aignep, Italian company leader in the production of components for fluid controls, designs and manufactures the range of FLUIDITY solenoid valves for the use with liquid and gaseous fluids.

With a simple and compact design, the FLUIDITY solenoid valves are available in 2/2 and 3/2 versions, direct acting and servo-assisted, NC and NO, sizes from 1/8" up to 2" and the whole range is ATEX II 2G/D Ex h certified.

The bodies are available in different types of brass and Stainless Steel, with a wide selection of gaskets depending on the compatibility with the fluid.

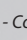
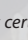

The materials used allow the FLUIDITY solenoid valves to be installed also in food applications or in contact with aggressive fluids and reach working temperatures from -40°C to +180°C.

The proposed coils allow to obtain high performances and, on request, low power consumption.

Multiple are the combinations with our fittings depending on the application and the fluid to be managed.

In addition to the standard products in the catalog, we are able to realize customized solutions to satisfy the most demanding requests of our Customers.

Main advantages

- Simple, compact and strong design
- ATEX II 2G / D Ex h, VDE certified valves
- High pressures and high flow rates
- High quality gaskets: perfect sealing with high number of working cycles
- Class H coils
- Coils certified  -  - CSA C22.2 - 
- Products traceability
- Stock availability for quick delivery
- 100% Made in Italy

Applications

- Food industry
- Coffee & vending
- Irrigation
- Industrial Processes and Automation
- Machine tools, Laser cutting
- Automotive
- Compressors
- Industrial washing, pressure washers
- Car wash
- Misting
- Heating and Refrigeration
- Medical
- Sterilizers
- Vacuum
- Chemical and Petrochemical industry
- Fire-fighting systems

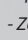


Aignep, ein führendes italienisches Unternehmen in der Herstellung von Komponenten für den Transport und der Steuerung von flüssigen und gasförmigen Medien. Unter dem Produktnamen FLUIDITY entwickelt und fertigt Aignep eine Reihe von Magnetventilen. Die Ventile haben ein einfaches und kompaktes Design und sind in den Versionen 2/2 und 3/2 Wege als direktwirkend und vorgesteuert mit NC und NO, in den Größen von 1/8" bis 2" erhältlich. Die gesamte Produktreihe ist nach ATEX II 2G/D Ex h zertifiziert. Die Gehäuse sind in verschiedenen Messing- und Edelstahl Ausführungen erhältlich, mit einer großen Auswahl an Dichtungen, je nach Kompatibilität mit dem Medium.

Dank der verwendeten Materialien können die FLUIDITY Magnetventile auch in Lebensmittelanwendungen oder in Kontakt mit aggressiven Flüssigkeiten installiert werden und erreichen Betriebstemperaturen von -40°C bis +180°C.

Die Spulen erlauben es hohe Leistungen zu erbringen und speziell auf Anfrage, Spulen mit niedrigem Stromverbrauch einzusetzen.

Die Kombinationen mit unseren Armaturen sind vielfältig und hängen von der Anwendung und der Art de Fluids ab. Zusätzlich zu den Standardprodukten des Katalogs sind wir in der Lage, kundenspezifische Lösungen zu realisieren, um die anspruchsvollsten Anforderungen unserer Kunden zu erfüllen.

Hauptvorteile

- Einfache, kompakte und robuste Konstruktion
- ATEX II 2G / D Ex h, VDE zertifizierte Ventile
- Hohe Drücke und hohe Durchflussraten
- Hochwertige Dichtungen: perfekte Abdichtung bei hoher Anzahl von Arbeitszyklen
- Spulen der Klasse H
- Zertifizierte Spulen  -  - CSA C22.2 - 
- Rückverfolgbarkeit der Produkte
- Verfügbarkeit ab Lager für schnelle Lieferung
- 100% in Italien hergestellt

Anwendungen

- Lebensmittelindustrie
- Kaffee und Verkaufsautomaten
- Bewässerung
- Industrielle Prozesse und Automatisierung
- Werkzeugmaschinen, Laserschneiden
- Fahrzeugbau
- Kompressoren
- Industrielles Waschen, Hochdruckreiniger
- Autowäsche
- Nebelungssysteme
- Heizung und Kältetechnik
- Medizintechnik
- Sterilisatoren
- Vakuum
- Chemische und petrochemische Industrie
- Feuerlöschsysteme

Aignep, entreprise italienne leader dans la production de composants de contrôle des fluides, conçoit et fabrique la gamme d'électrovannes FLUIDITY pour utilisation avec des fluides liquides et gazeux.

De conception simple et compacte, les électrovannes FLUIDITY sont disponibles en versions 2/2 et 3/2, par exemple entraînement direct et servocommandé, NC et NO, dans les dimensions de 1/8" à 2". Toute la gamme est certifiée ATEX II 2G/D Ex h.

Les corps sont disponibles en différents types de laiton et en acier inoxydable, avec un large choix de joints en fonction de la compatibilité avec le fluide.

Les matériaux utilisés permettent aux électrovannes FLUIDITY d'être utilisées dans les applications pour le process alimentaire ou en contact avec des fluides agressifs et permet des utilisations à des températures de travail de -40 °C à +180°C.

Les bobines proposées permettent des performances élevées et, sur demande, une faible consommation d'énergie.

Il existe de nombreuses combinaisons avec nos raccords selon l'application et le fluide.

En plus des produits standards du catalogue, nous sommes capable de créer des solutions personnalisées pour satisfaire les demandes les plus exigeantes de nos clients.

Principaux avantages

- Conception simple, compacte et robuste
- Vannes certifiées ATEX II 2G/D Ex h, VDE
- Hautes pressions et débits importants
- Joints de haute qualité : parfaite étanchéité avec un nombre élevé de cycles de travail
- Bobines de classe H
- Bobines certifiées  -  - CSA C22.2 - 
- Traçabilité des produits
- Disponibilité en stock pour une livraison rapide
- 100% Made in Italy

Applications

- Industrie alimentaire
- Machine à Café professionnelle et distributeurs automatique
- Lubrification
- Procédés Industriels et Automatisation
- Machines-outils, Découpe laser
- Process Automobile
- Compresseurs
- Lavage industriel, nettoyeurs haute pression
- Lavage-Auto
- Brumisation
- Chauffage et Réfrigération
- Médical
- Stérilisateurs
- Vide
- Industrie chimique et pétrochimique
- Systèmes de lutte contre l'incendie

Aignep, empresa italiana líder en la producción de componentes para el control de fluidos, diseña y produce la gama de electroválvulas FLUIDITY para utilizar con fluidos y gases.

De un diseño simple y compacto, las electroválvulas FLUIDITY están disponibles en versiones 2/2 y 3/2, accionamiento directo y servoaccionada, NC y NA, en tamaños de 1/8" hasta 2" y toda la gama está certificada ATEX II 2G/D Ex h.

Los cuerpos están disponibles en diferentes tipos de latón y acero inoxidable, con una amplia variedad de juntas dependiendo de la compatibilidad con el fluido.

Los materiales utilizados permiten que las electroválvulas FLUIDITY puedan ser instaladas en aplicaciones para alimentación o en contacto con fluidos agresivos con un rango de temperatura de trabajo de -40°C a +180°C.

Las bobinas propuestas permiten obtener prestaciones elevadas y a demanda, bajo consumo energético.

Hay muchas combinaciones posibles con nuestros racores según la aplicación y el fluido a utilizar.

Además de los productos estándar del catálogo, estamos preparados para ofrecer soluciones personalizadas para satisfacer las solicitudes más exigentes de nuestros clientes.

Principales ventajas

- Diseño simple, compacto y robusto
- Válvulas certificadas ATEX II 2G/D Ex h, VDE
- Altas presiones y caudales elevados
- Juntas de alta calidad perfectas frente a un elevado número de ciclos de trabajo
- Bobinas clase H
- Bobinas certificadas  -  - CSA C22.2 - 
- Trazabilidad del producto
- Disponibilidad en el almacén para una entrega rápida
- 100% Made in Italy

Aplicaciones

- Industria alimentaria
- Coffee & vending
- Riego
- Proceso Industrial y Automatización
- Herramientas de Máquina, Corte Laser
- Automoción
- Compresores
- Sistemas de Lavado, Lavadoras a presión
- Car Wash
- Nebulización
- Calefacción y Refrigeración
- Médico
- Esterilizadores
- Vacío
- Industria Química y Petroquímica
- Sistemas antincendios

A Aignep, empresa italiana líder na produção de componentes para o controle de fluidos, projeta e produz a linha de eletroválvulas FLUIDITY para trabalhar com fluidos líquidos e gasosos.

Com design simples e compacto, as eletroválvulas FLUIDITY estão disponíveis nas versões 2/2 e 3/2, com acionamento direto e servo-acionadas, NA e NF, nos tamanhos de 1/8" até 2". Toda a linha Fluidity é certificada ATEX II 2G/D Ex h.

Os corpos das válvulas estão disponíveis em Latão e Aço Inoxidável, com várias opções de vedação de acordo com a compatibilidade do fluido utilizado.

Os materiais utilizados na fabricação das válvulas permitem que as eletroválvulas FLUIDITY sejam usadas também em aplicações alimentícias e estejam em contato com fluidos agressivos além de permitir temperaturas de trabalho de -40°C a +180°C.

As bobinas oferecidas permitem que sejam obtidas altas performances e, sob encomenda, baixo consumo energético.

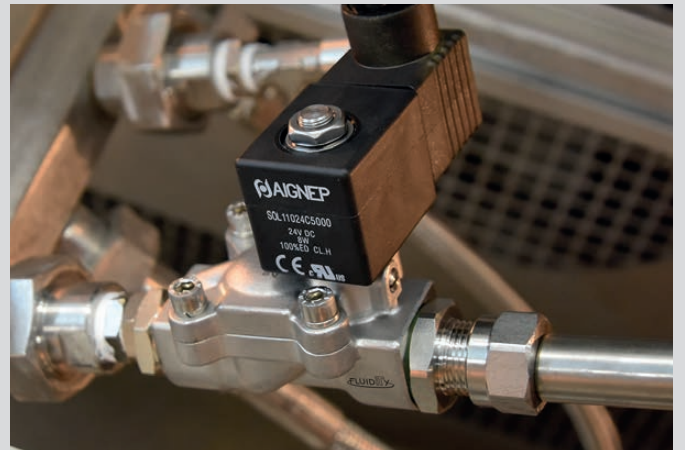
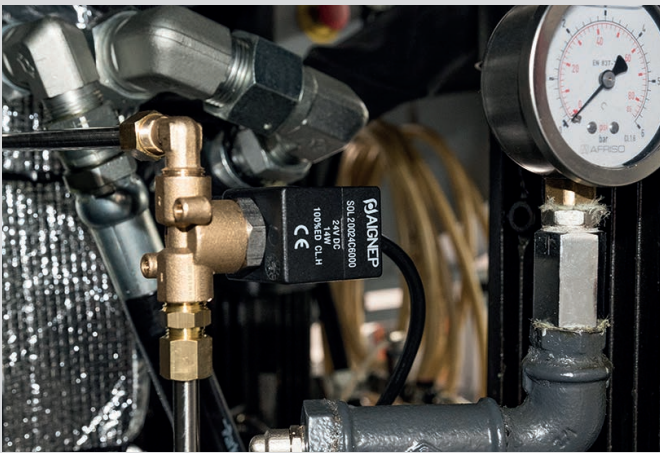
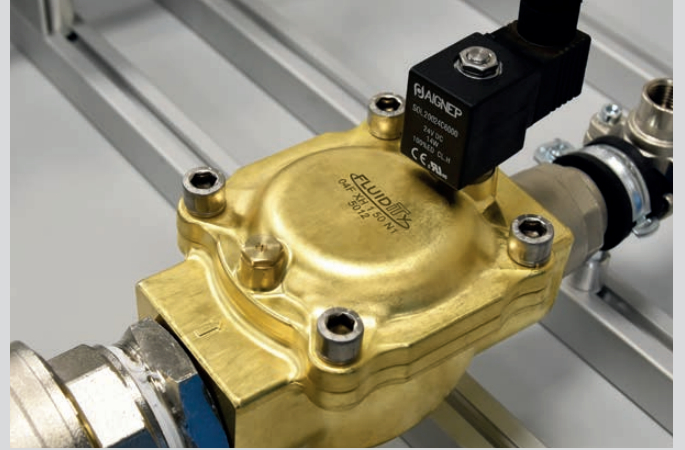
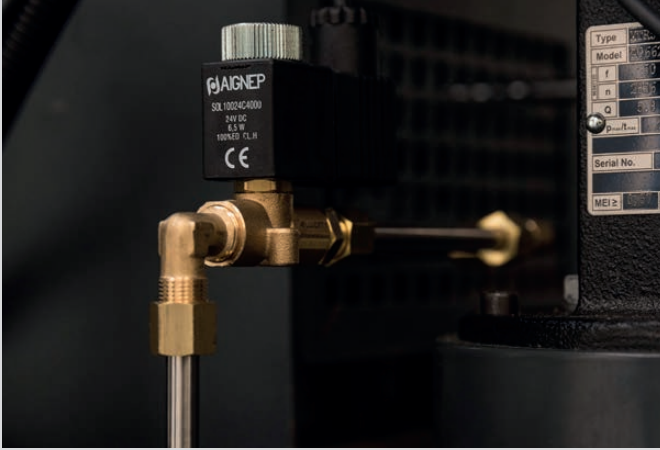
Múltiplas são as combinações possíveis com as nossas conexões, de acordo com a aplicação e do fluido de trabalho. Além dos produtos standard presentes no catálogo, podemos também desenvolver soluções customizadas para satisfazer as solicitações mais exigentes dos nossos clientes.

Principais vantagens

- Design simples, compacto e robusto
- Válvulas certificadas ATEX II 2G/D Ex h, VDE
- Altas pressões e vazões elevadas
- Vedações de alta qualidade: vedação perfeita com um elevado número de ciclos de trabalho
- Bobinas de classe H
- Bobinas certificadas  -  - CSA C22.2 - 
- Rastreabilidade dos produtos
- Disponibilidade de estoque para entrega rápida
- 100% Made in Italy

Aplicações

- Indústria alimentícia
- Café & vending machines
- Irrigação
- Processos industriais e Automação
- Máquinas-ferramenta, Corte laser
- Automotiva
- Compressores
- Sistemas de Lavagem, Lavadores a pressão
- Lavadoras de carros
- Nebulização
- Resfriamento e Refrigeração
- Medicinal
- Esterilizadores
- Vácuo
- Indústria Química e Petroquímica
- Sistemas anti-incêndio



ELETTROVALVOLE PER FLUIDI

SOLENOID VALVES FOR FLUIDS

MAGNETVENTILE FÜR FLÜSSIGKEITEN

ELECTROVANNES POUR FLUIDES

ELECTROVÁLVULAS PARA FLUIDOS

ELETTROVÁLVULAS PARA FLUIDOS



Serie Fluidity

COME LEGGERE IL CATALOGO FLUIDITY
 HOW TO READ THE FLUIDITY CATALOG
 ENTDECKEN SIE UNSEREN KATALOG FLUIDITY
 COMMENT LIRE LE CATALOGUE FLUIDITY
 CÓMO LEER EL CATÁLOGO FLUIDITY
 COMO LER O CATÁLOGO FLUIDITY

Introduzione al catalogo

IT

Il catalogo Fluidity include tutte le famiglie di elettrovalvole per il controllo dei fluidi presenti nella gamma di prodotti Aignep. All'interno del catalogo il Cliente può servirsi di contenuti tecnici, informazioni, tabelle e formule nelle pagine introduttive, mentre per ogni serie vengono proposte la presentazione del prodotto, caratteristiche tecniche, certificazioni, opzioni disponibili e prestazioni migliorate. Il tutto disponibile in sei lingue diverse. Nell'ottica di voler offrire servizio e supporto sempre più eccellenti ai propri Clienti, Aignep si riserva il diritto di apportare modifiche al catalogo per migliorarne prodotti e contenuti e consiglia di contattare il supporto tecnico per qualsiasi chiarimento necessario.

Introduction to the catalog

GB

The Fluidity catalog includes all the families of solenoid valves for fluid controls available in the Aignep product range. In the catalog, the Customer can find technical content, information, tables and formulas in the introduction pages, whereas for each individual serie, a product presentation it's proposed including, technical features, certifications, available options and improved performances. Everything is available in six different languages. In order to offer an increasingly excellent service and support to its Customers, Aignep reserves the right to make changes to the catalog to improve products and contents, and recommends to contact the technical support for any necessary clarification.

Einführung Katalog

DE

Der Fluidity-Katalog enthält alle Magnetventil-Familien für die Steuerung von Medien, die in der Produktpalette von Aignep verfügbar sind. Im Katalog findet der Kunde den technischen Inhalt, Informationen, Tabellen und Formeln. Während für jede Serie die Präsentation des Produkts, die technischen Merkmale, Zertifizierungen, verfügbare Ausführung und verbesserte Leistungen in den Einführungsseiten zu finden sind. Die Dokumentation ist in sechs Sprachen verfügbar. Um unseren Kunden einen immer besseren Service und Support bieten zu können, behält sich Aignep das Recht vor, Änderungen am Katalog vor zu nehmen, um Produkte und Inhalte zu verbessern. Bei Unklarheiten empfehlen wir den technischen Support zur Klärung zu kontaktieren.

Introduction au catalogue

FR

Le catalogue Fluidity regroupe toutes les familles d'électrovannes pour la maîtrise des fluides présentes dans la gamme de produits Aignep. Dans le catalogue, le Client peut utiliser le contenu technique, informations, tableaux et formules sur les pages d'introduction, tandis que pour chaque série, il est proposé la présentation du produit, les caractéristiques techniques, certifications, options disponibles et performances améliorées. Le tout disponible en six langues différentes. Dans le but d'apporter toujours le meilleur service à ses clients, Aignep se réserve le droit d'apporter des modifications au catalogue suivant les améliorations des produits et recommande de contacter le support technique, pour tout renseignement nécessaire.

Introducción al catálogo

ES

El catálogo Fluidity incluye todas las familias de electroválvulas para el control de los fluidos presentes en la gama de productos Aignep. Dentro del catálogo el cliente puede servirse del contenido técnico, información, tablas y fórmulas en las páginas iniciales, mientras que para cada serie se propone la presentación del producto, características técnicas, certificaciones, opciones disponibles y rendimiento mejorado. Todo disponible en seis idiomas diferentes. Con el fin de ofrecer un mejor servicio y soporte a nuestros clientes, Aignep se reserva el derecho de aportar modificaciones al catálogo para la mejora del producto y contenidos, y recomienda contactar con el soporte técnico para cualquier aclaración necesaria.

Introdução ao catálogo

PT

O catálogo Fluidity inclui todas as famílias de eletroválvulas para controle dos fluidos presentes na gama de produtos Aignep. No interior do catálogo o Cliente pode aproveitar de conteúdos técnicos, informações, tabelas e fórmulas nas páginas de introdução, que são mostradas entre cada série. A apresentação do produto, características técnicas, certificações, opções disponíveis e performances melhoradas. Tudo está disponível em seis línguas diferentes. Visando oferecer serviço e suporte sempre com mais excelência aos próprios Clientes, a Aignep se reserva no direito de atualizar e modificar o catálogo para melhorar produtos e conteúdos e aconselha que se contacte o suporte técnico para qualquer esclarecimento que se faça necessário.

FLUIDS	BODY MATERIAL		SEALS		
	Brass	Stainless Steel AISI 316L	NBR	EPDM	FKM
Acetone - Acetone - Aceton - Acetone - Acétone - Acetone	●	●	●	●	●
Acetylene - Acetilene - Ethin - Acétylène - Acetileno - Acetileno	●	●	●	●	●
Argon	●	●	●	●	●
Benzene - Benzene - Benzol - Benzène - Benceno - Benzeno	●	●	●	●	●
Butane - Butano - n-Butan - Butane - Butano - Butano	●	●	●	●	●
Carbon dioxide dry (gas) - Anidride carbonica - Kohlendioxid trocken - dioxide de carbone à sec - dióxido de carbono seco	●	●	●	●	●
Carbon dioxide dry (liquid) - Anidride carbonica - Kohlendioxid trocken - dioxide de carbone à sec - dióxido de carbono seco	●	●	●	●	●
Carbon disulfide - Solfuro di carbonio - Kohlenstoffdisulfid - Disulfure de carbone - Sulfuro de carbono - Dissulfeto de carbono	●	●	●	●	●
Chloroform (100%) - Cloroformio - Chloroform - Chloroforme - Cloroformo - Cloroformio	●	●	●	●	●
Diesel fuel	●	●	●	●	●
Helium - Elio - Helium - Hélium - Helio - Hélio	●	●	●	●	●
Ethane - Etano - Ethan - Éthane - Etano - Etano	●	●	●	●	●
Ethanol - Etanolo - Ethanol - Éthanol - Etanol - Etanol	●	●	●	●	●
Ethyl acetate - Acetato di etile - Essigsäureethylester - Acétate d'éthyle - Etanoato de etilo - Acetato de etila	●	●	●	●	●
Ethyl chloride - Cloruro di etile - Ethyl-Chlorid - Chlorure d'éthyle - Cloruro de etilo - Cloroto de etilo	●	●	●	●	●
Ethylene glycol - Etileno glicole - Ethylenglykol - Éthylène glycol - Etileno glicolo - Etileno glicol	●	●	●	●	●

TABELLA DI CONVERSIONE DEI VALORI DI TEMPERATURA
 TEMPERATURE VALUES CONVERSION TABLE
 UMRECHNUNGSTABELLE DER TEMPERATURWERTE
 TABLEAU DE CONVERSION DES VALEURS DE TEMPERATURE
 TABLA DE CONVERSION DE VALORES DE TEMPERATURA
 TABELA DE CONVERSAO DE VALORES DE TEMPERATURA

°C	°F	K	°C	°F	K	°C	°F	K
-40	-40	233.15	40	104	313.15	140	284	413.15
-35	-31	238.15	45	113	318.15	150	302	423.15
-30	-22	243.15	50	122	323.15	160	320	433.15
-25	-13	248.15	55	131	328.15	170	338	443.15
-20	-4	253.15	60	140	333.15	180	356	453.15
-15	5	258.15	65	149	338.15	190	374	463.15
-10	14	263.15	70	158	343.15	200	392	473.15
-5	23	268.15	75	167	348.15	220	428	493.15
0	32	273.15	80	176	353.15	240	464	513.15
5	41	278.15	85	185	358.15	260	500	533.15
10	50	283.15	90	194	363.15	280	536	553.15
15	59	288.15	95	203	368.15	300	572	573.15
20	68	293.15	100	212	373.15	350	662	623.15
25	77	298.15	110	230	383.15	400	752	673.15
30	86	303.15	120	248	393.15	450	842	723.15
35	95	308.15	130	266	403.15	500	932	773.15

Fluidi Fluids Flüssigkeiten Fluides Fluidos Fluidos	Formule Formulas Formeln Formules Fórmulas Fórmulas
Liquidi Liquids Flüssigkeiten Líquidos Líquidos	$Q = Kv * \sqrt{\frac{\Delta p}{\rho}}$
Gas Gases Gas Gaz Gas Gases	$\Delta p < \frac{P_1}{2} \rightarrow Q_n = 514 * Kv * \sqrt{\frac{\Delta p * P_2}{\rho_n * (273+T)}}$ $\Delta p > \frac{P_1}{2} \rightarrow Q_n = 257 * Kv * \sqrt{\frac{P_1}{\rho_n * (273+T)}}$
Aria Air Luft Air Aire Ar	$\Delta p < \frac{P_1}{2} \rightarrow Q_n = 26 * Kv * \sqrt{\Delta p * P_2}$ $\Delta p > \frac{P_1}{2} \rightarrow Q_n = Kv * P_1 * 13$
Vapore Steam Dampf Vapeur Vapor Vapor	$\Delta p < \frac{P_1}{2} \rightarrow G = 31.6 * Kv * \sqrt{\frac{\Delta p}{V_2}}$ $\Delta p > \frac{P_1}{2} \rightarrow G = 31.6 * Kv * \sqrt{\frac{P_1}{V_1}}$

Presentazione del prodotto

IT

Nelle pagine di introduzione a ciascuna serie valvola viene proposta una breve presentazione del prodotto che introduce alla tipologia di valvola e riportante i dati principali per semplificarne la scelta; le pagine propongono le seguenti informazioni:

- 1 Descrizione prodotto, vantaggi, applicazioni e settori di utilizzo più comuni (informazione di carattere puramente indicativo).
- 2 Caratteristiche generali e certificazioni.
- 3 Come si compone il modello valvola e relativa spiegazione di ogni singolo codice.
- 4 Bobine e connettori utilizzabili, con richiamo alle pagine delle schede tecniche.

Product presentation

GB

In the introduction pages for each valve series, a brief presentation of the product is proposed which introduces the type of valve and shows the main data to simplify the choice; the pages offer the following information:

- 1 Product description, advantages, common applications and sector of use (purely indicative information).
- 2 General features and certifications.
- 3 How to compose the valve model and explanation of each individual code.
- 4 Usable coils and connectors, with reference to the technical data sheets pages.

Produktauswahl

DE

Auf den Einführungsseiten wird für jede Ventilserie eine kurze Produktpräsentation vorgeschlagen, die den Ventiltyp vorstellt und die wichtigsten Daten angibt. Um die Auswahl zu erleichtern finden Sie die folgenden Informationen:

- 1 Produktbeschreibung, Vorteile, gemeinsame Anwendungen und Einsatzbereich (rein indikative Informationen).
- 2 Allgemeine Merkmale und Zertifizierungen.
- 3 Zusammenstellung des Ventiltyps und Erläuterung jedes einzelnen Produkt-Codes.
- 4 Verwendbare Spulen und Anschlüsse, mit Verweis auf die Seiten der technischen Datenblätter.

Présentation du produit

FR

Dans les pages d'introduction de chaque série de vannes, une brève présentation introduit le type de vanne et les principales informations pour faciliter le choix du produit; les pages proposent les informations suivantes:

- 1 Description du produit, avantages, applications communes et secteur d'utilisation (information purement indicative).
- 2 Caractéristiques générales et certifications.
- 3 Explication de la codification pour composer le modèle de vanne recherché.
- 4 Bobines et connecteurs utilisables, en référence aux pages de fiches techniques.

Presentación del producto

ES

En las páginas de introducción de cada serie de válvulas se propone una breve presentación del producto introduciendo el tipo de válvula y mostrando los datos principales para simplificar la elección; las páginas ofrecen la siguiente información:

- 1 Descripción del producto, ventajas, aplicaciones comunes y sector de uso (información meramente indicativa).
- 2 Características generales y certificaciones.
- 3 Como se compone la válvula y la explicación de cada código individual.
- 4 Bobinas y conectores convenientes, con referencia a página de fichas técnicas.

Apresentação do produto

PT

Nas páginas de introdução de cada série de válvula existe uma breve apresentação do produto que introduz a tipologia de válvula e mostra os dados principais para simplificar a escolha; as páginas propõem as seguintes informações:

- 1 Descrição do produto, vantagens, aplicações comuns e setor de utilização (informação meramente indicativa).
- 2 Características gerais e certificações.
- 3 Como se compõe o modelo da válvula e explicações sobre cada código.
- 4 Bobinas e conectores utilizáveis, com referências às páginas de especificações técnicas.

Le elettrovalvole serie 01F - azionamento diretto con corpo in lattoni in ottone - si distinguono per l'affidabilità nelle prestazioni che ne consentono l'utilizzo in una vasta gamma di applicazioni.

Dal design compatto, offrono prestazioni elevate con bobine di diverse taglie e potenze (serie A e B), basso consumo energetico, installazione in aree potenzialmente esplosive (con bobina ATEX serie Xi) e con la possibilità di esecuzioni speciali con raccordi Aignep.

Principali vantaggi

- Connessioni 1/8" e 1/4"
- Guarnizioni certificate FDA e conformi NSF51
- Utilizzo con l'intera gamma di raccordi Aignep
- Grado di protezione IP67 con connettore e kit anti-umidità
- Potenza bobine: Serie A - 22 mm - 6.5W / 7.5VA Serie B - 30 mm - 8W / 11VA

Applicazioni

- Acqua, Liquidi neutri, Oli
- Industria alimentare, Coffee & vending
- Aria, Gas inerti, Vuoto
- Processi industriali, Automazione
- Macchine utensili, Taglio laser, Compresori
- Ossigeno, Vapori, Medicale
- Industria Chimica e Petrochimica

The 01F series solenoid valves - direct acting with threaded brass body - stand out for their reliable performance which allows it to be used in a wide range of applications.

With a compact design, offer high performance with coils of different sizes and powers (series A and B), low energy consumption, installation in potentially explosive environments (with ATEX coil X series) and with the possibility of special executions with Aignep fittings.

Main advantages

- Connections 1/8" & 1/4"
- FDA certified and NSF51 compliant seals
- Use with the whole Aignep fittings range
- IP67 protection degree with connector and anti-humidity kit
- Power Coils: Serie A - 22 mm - 6.5W / 7.5VA Serie B - 30 mm - 8W / 11VA

Applications

- Water, Neutral liquids, Oils
- Food industry, Coffee & vending
- Air, Inert gases, Vacuum
- Industrial processes, Automation
- Machine tools, Laser cutting, Compressors
- Oxygen, Steam, Medical
- Chemical and Petrochemical industry

Die Serie 01F sind direktwirkende Magnetventile und bestehen aus einem Messingkörper mit Insschraubgewinden. Ein kompaktes Design und Magnetspulen mit einer hohen Leistungsfähigkeit (Serien A und B) und geringem Energieverbrauch ermöglichen eine breite Spaltenum-Anwendungen. Durch die Ansteuerung mit der ATEX-Spule der Serie Xi ist eine Installation in explosionsgefährdeten Umgebungen möglich. Sonderausführungen mit Aignep-Verschraubungen sind ebenfalls möglich.

Vorteile

- Anschlüsse 1/8" & 1/4"
- FDA-zertifiziert und NSF51-konforme Dichtungen
- Kompatibilität mit dem gesamten Aignep-Fittingsortiment
- IP67 Schutz mit Stecker und Feuchtigkeitsschutz-Kit
- Spulen: Serie A - 22 mm - 6.5W / 7.5VA Serie B - 30 mm - 8W / 11VA

Anwendungen

- Wasser, neutrale Flüssigkeiten, Öle
- Lebensmittelindustrie, Kaffee und Verkaufsautomaten
- Luft, inerte Gase, Vakuum
- Industrielle Prozesse, Automatisierung
- Werkzeugmaschinen, Laserschneiden, Kompressoren
- Sauerstoff, Dampf, Medizin
- Chemische und petrochemische Industrie

Les électrovanne de la série 01F - à commande directe avec corps fileté en laiton - se distinguent par leurs performances fiables qui leur permettent d'être utilisées dans une large gamme d'applications.

Avec une conception compacte, cette série offre des performances élevées avec des bobines de différentes tailles et puissances (séries A et B), une faible consommation d'énergie, possibilité pour installation dans des environnements potentiellement explosifs (avec la série Xi de bobine ATEX) et avec la possibilité d'exécutions spéciales avec des raccords Aignep.

Principaux avantages

- Connexions 1/8" & 1/4"
- Joints certifiés FDA et conformes NSF51
- Utilisation avec toute la gamme de raccords Aignep
- Degré de protection IP67 avec connecteur et kit anti-humidité
- Bobines série: Serie A - 22 mm - 6.5W / 7.5VA Serie B - 30 mm - 8W / 11VA

Applications

- Eau, Liquides neutres, Huiles
- Industrie alimentaire, café et distributeurs automatiques
- Air, Gaz inertes, Vide
- Procédés industriels, Automatisation
- Machines outils, Découpe laser, Compresseurs
- Oxygène, Vapeur, Médical
- Industrie chimique et pétrochimique

Las electroválvulas de la serie 01F - de accionamiento directo con cuerpo de latón roscaido - destacan por su rendimiento fiable, que le permiten ser utilizadas en una amplia gama de aplicaciones.

Con un diseño compacto, ofrecen altas prestaciones con bobinas de diferentes tamaños y potencias (series A y B), bajo consumo de energía, instalación en ambientes potencialmente explosivos (con bobina ATEX serie Xi) y con posibilidad de ejecuciones especiales con raccords Aignep.

Principales ventajas

- Conexões 1/8" e 1/4"
- Juntas certificadas por FDA y compatibles con NSF51
- Uso con toda la gama de raccords Aignep
- Grau de proteção IP67 com conector e kit anti-umidade
- Bobinas Serie A - 22 mm - 6.5W / 7.5VA Serie B - 30 mm - 8W / 11VA

Aplicaciones

- Água, Líquidos neutros, Aceites
- Indústria alimentaria, café e vending
- Ar, Gases inertes, vácuo
- Processos industriais, Automação
- Máquinas ferramenta, Corte por laser, Compressores
- Oxigênio, Vapor, Médico
- Indústria química e petroquímica

Als válvulas solenoides de la serie 01F - acción directa con cuerpo roscaido en latón - destacan por su desempeño confiable, que permite su utilización en una amplia gama de aplicaciones.

Con un diseño compacto, ofrecen alto desempeño utilizando bobinas de diferentes tamaños y potencias (series A e B), bajo consumo de energía, instalación en ambientes potencialmente explosivos (con bobina ATEX serie Xi) y con posibilidad de ejecuciones especiales con raccords Aignep.

Principais vantagens

- Conexões 1/8" e 1/4"
- Certificados FDA e vedações compatíveis com NSF51
- Utilização com toda a gama de acessórios Aignep
- Grau de proteção IP67 com conector e kit anti-umidade
- Bobinas Serie A - 22 mm - 6.5W / 7.5VA Serie B - 30 mm - 8W / 11VA

Aplicações

- Água, líquidos neutros, óleos
- Indústria alimentícia, café e vending
- Ar, gases inertes, vácuo
- Processos industriais, Automação
- Máquinas-ferramentas, corte a laser, compressores
- Oxigênio, Vapor, Médico
- Indústria química e petroquímica

Caratteristiche generali - 01F

- Posizione di montaggio universale
- Kit operatore Ø 10 mm
- Certificazione valvole: ATEX II 2GD Ex h
- Bobine: classe H - CSA C22.2 - ATEX II 2GD Ex m

Caratteristiche generali - 01F

- Posición de montaje universal
- Kit operador Ø 10 mm
- Certificación ATEX II 2GD Ex h
- Bobinas: clase H - CSA C22.2 - ATEX II 2GD Ex m

Características gerais - 01F

- Posição de montagem universal
- Kit operador Ø 10 mm
- Certificação ATEX II 2GD Ex h
- Bobinas: classe H - CSA C22.2 - ATEX II 2GD Ex m

Eigenschaften - 01F

- Einbaulage universell
- Bausatz Ø 10 mm
- ATEX II 2GD Ex h Zertifizierung
- Spulenklasse H - CSA C22.2 - ATEX II 2GD Ex m

Características gerais - 01F

- Posição de montagem universal
- Kit do operador Ø 10 mm
- Certificação ATEX II 2GD Ex h
- Bobinas: classe H - CSA C22.2 - ATEX II 2GD Ex m

Tabella dei codici di ordinazione

Ordering codes

Bestellschlüssel

Composition de la référence de commande

Tabla para definición de código

Tabella de código de compra

SERIE	Connessione	Funzione	Orifizio	Materiale guarnizioni	Versione	Flittatura
	Port size	Function	Orifice	Sealing material	Version	Thread
	Material	Function	Dr	Dichtungswerkstoff	Ausführung	Gewinde
	Dimension	Function	Passage	Material dos joints	Versão	Rosca
	Tamaño	Función	Orificio	Material das vedações	Versão	Rosca
01F	02 = 1/8"	1 = 2/2 NC	15 = 1.5 mm	N = NBR	0 = Standard	= Gas
	03 = 1/4"	2 = 2/2 NO	02 = 2 mm	E = EPDM		N = NPT
		3 = 3/2 NC	25 = 2.5 mm	V = FKM		
		4 = 3/2 NO	03 = 3 mm	C = CR		
		5 = 3/2 NC	04 = 4 mm			
		6 = 2/2				

BOBINE - SERIES A, B, X

COILS - SERIES A, B, X

SPULEN - SERIES A, B, X

BOBINAS - SERIES A, B, X

BOBINAS - SERIES A, B, X

BOBINAS - SERIES A, B, X

PAG: 22.2 / 22.3 / 22.4

PAG: 22.2 / 22.3 / 22.4

PAG: 22.2 / 22.3 / 22.4

PAG: 22.2 / 22.3 / 22.4

PAG: 22.2 / 22.3 / 22.4

PAG: 22.2 / 22.3 / 22.4

CONNETTORI

CONNECTORS

STECKER

CONNECTEURS

CONECTORES

CONECTORES

PAG: 22.9 / 22.11

PAG: 22.9 / 22.11

PAG: 22.9 / 22.11

PAG: 22.9 / 22.11

PAG: 22.9 / 22.11

PAG: 22.9 / 22.11

Sezione valvola

IT

Valve section

GB

Bereich Ventile

DE

In seguito alla presentazione del prodotto si trovano le pagine relative alle tipologie di valvole previste per la serie in questione; in queste pagine si possono trovare le seguenti informazioni:

- 5 Famiglia del prodotto, funzione della valvola, materiali e componenti ed esecuzioni speciali su richiesta.
- 6 Informazioni utili e riferimento alle tabelle di compatibilità dei materiali in base al fluido.
- 7 Opzioni su richiesta disponibili per la tipologia di valvola identificata.
- 8 Tabella codici valvola riportante caratteristiche tecniche e prestazioni, suddivise in base al tipo di bobina.
- 9 Completare il codice valvola indicato nella prima colonna con la lettera relativa al materiale di tenuta disponibile indicata nella seconda colonna.
- 10 Disegno in sezione e dimensionale della valvola.

Following the product presentation, there are the pages related to the types of valves expected for the series in question; on these pages is possible to find the following information:

- 5 Product family, valve function, materials and components and special executions on request.
- 6 Helpful information and reference to the materials compatibility tables based on the fluid.
- 7 Options available on request for the type of valve identified.
- 8 Valve codes table showing technical features and performances, divided according to the type of coil.
- 9 Complete the valve code indicated in the first column with the letter relating to the available sealing material indicated in the second column.
- 10 Valve sectional and dimensional drawing.

Auf den Seiten Ventiltypen, finden Sie die folgenden Informationen:

- 5 Produktfamilie, Ventilfunktion, Werkstoffe und Komponenten und Sonderausführungen auf Anfrage.
- 6 Hilfreiche Informationen und Verweis auf die Material Kompatibilitätstabellen für das jeweilige Medium.
- 7 Auf Anfrage erhaltliche Ausführung für den angegebenen Ventiltyp.
- 8 Tabelle der Ventilcodes mit den technischen Merkmalen und Leistungen, unterteilt nach Spulentyp.
- 9 Ergänzen Sie den in der ersten Spalte angegebenen Ventilcode mit dem Buchstaben für den verfügbaren Dichtungswerkstoff in der zweiten Spalte angeben ist.
- 10 Schnittzeichnung und Maßzeichnung des Ventils.

Partie vanne

FR

Sección válvula

ES

Seção válvula

PT

Suite à la présentation du produit, vous trouverez les pages relatives à chaque série, sur ces pages vous trouverez les informations suivantes:

- 5 Famille de produits, fonction de la vanne, matériaux et composants et les exécutions spéciales possibles sur demande.
- 6 Informations utiles et renvoi aux tableaux de compatibilité des matériaux en fonction du fluide.
- 7 Options disponibles sur demande selon le type de vanne identifié.
- 8 Tableau des codes des vannes indiquant les caractéristiques techniques et performances, réparties selon le type de bobine.
- 9 Compléter le code vanne indiqué dans la première colonne avec la lettre relative au matériau d'étanchéité disponible indiquée dans la deuxième colonne.
- 10 Plan en coupe et dimensions de la vanne.

Tras la presentación del producto encontrará las páginas relativas a los tipos de válvulas previstas para la serie en cuestión; en estas páginas puede encontrar la siguiente información:

- 5 Familia del producto, función de la válvula, componentes y ejecuciones especiales bajo pedido.
- 6 Información útil y referencia a las tablas de compatibilidad del material en base al fluido.
- 7 Opciones disponibles bajo pedido para el tipo de válvula identificada.
- 8 Tabla de códigos de válvulas que muestra las características técnicas y rendimiento, en base tipo de bobina.
- 9 Completar el código de la válvula indicando en la primera columna la letra relativa al material de la junta que aparece en la segunda columna.
- 10 Dibujo de sección y dimensional de la válvula.

Após a apresentação do produto se encontram as páginas relativas às tipologias de válvulas previstas para a série em questão; nestas páginas podem ser encontradas as seguintes informações:

- 5 Família do produto, função da válvula, materiais, componentes e modelos especiais sob encomenda.
- 6 Informações úteis e referência às tabelas de compatibilidade dos materiais baseadas no fluido.
- 7 Opções sob encomenda disponíveis para a tipologia de válvula identificada.
- 8 Tabela de códigos da válvula mostrando características técnicas e performance, divididas por tipo de bobina.
- 9 Completar o código da válvula indicado na primeira coluna com a letra relativa ao material de vedação disponível indicada na segunda coluna.
- 10 Desenho seccional e dimensional da válvula.

SERIE 01F

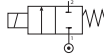
ELETTROVALVOLE AD AZIONAMENTO DIRETTO CON CORPO IN OTTONE
DIRECT ACTUATED SOLENOID VALVES WITH BRASS BODY
MAGNETVENTILE MIT DIREKTER BETÄTIGUNG MIT MESSINGGEHÄUSE
ÉLECTROVANNES À COMMANDE DIRECTE AVEC CORPS EN LAITON
ELECTROVÁLVULAS DE ACCIONAMIENTO DIRECTO CON CUERPO DE LATÓN
ELECTROVÁLVULAS DE ACCIONAMENTO DIRETO COM CORPO DE LATAO



Materiali e Componenti	IT	Materials and Components	GB	Materialien und Komponenten	DE
1 Corpo: Ottone CW617N		1 Body: Brass CW617N		1 Körper: Messing CW617N	
2 Tenella: NBR - EPDM - FKM - CR		2 Tenella: NBR - EPDM - FKM - CR		2 Dichtung: NBR - EPDM - FKM - CR	
3 Tubo guida: Acciaio inox		3 Armature tube: Stainless steel		3 Führungsnähe: Edelstahl	
4 Nucleo fisso e mobile: Acciaio inox AISI 430FR		4 Fixed and mobile core: Stainless steel AISI 430FR		4 Kern: Edelstahl AISI 430FR	
5 Molla: Acciaio inox		5 Spring: Stainless steel		5 Feder: Edelstahl	

Matériaux et Composants	FR	Materials y componentes	ES	Materialien e Componentes	PT
1 Corps: Laiton CW617N		1 Corpo: Latón CW617N		1 Corpo: Latão CW617N	
2 Joint: NBR - EPDM - FKM - CR		2 Junta: NBR - EPDM - FKM - CR		2 Vedação: NBR - EPDM - FKM - CR	
3 Tube de guidage: Acier inox		3 Tubo guia: Aço inox		3 Tubo Guia: Aço inox	
4 Nucleo fixo e móvel: Aço inox AISI 430FR		4 Núcleo fixo e móvel: Aço inox AISI 430FR		4 Núcleo fixo e móvel: Aço inox AISI 430FR	
5 Ressort: Acier inox		5 Muelle: Aço inox		5 Mola: Aço inox	

2/2 NC 1/8" - 1/4"



Pressione massima ammissibile

Maximum allowable pressure
Max. Betriebsdruck
Pression de service max.
Presión máxima admisible
Pressão máxima admissível

40 bar

Tabella compatibilità e materiali

Compatibility and materials table
Bestandteilstaubersicht
Tableau de compatibilité des matériaux
Tabla de compatibilidad de materiales
Tabela de compatibilidade química

Pag. 0.21 - 0.22

Temperatura ambiente con bobine in class.

Room temperature with coil class H
Raumtemperatur, mit Spule der Klasse H
Temperatura ambiente, avec bobine classe H
Temperatura ambiente con bobina classe H
Temperatura ambiente con bobina de classe H

- 10 °C
+ 80 °C

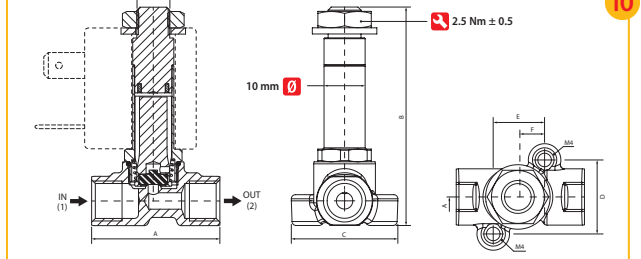
OPZIONI SU RICHIESTA - OPTIONS ON REQUEST - OPTIONEN AUF ANFRAGE - OPTIONS SUR DEMANDE - OPCIONES BAJO PEDIDO - OPÇÕES SOB ENCOMENDA

Versione idonea per utilizzo con ossigeno industriale - Version suitable for use with industrial oxygen - Version für industrie sauerstoff
Version adaptée à une utilisation avec de l'oxygène industriel - Versión idonea para el uso con oxígeno industrial - Versão adequada para utilização com oxigênio industrial
Tratamiento superficial de nichelatura química componente en ottone - Chemical nickel plating treatment for brass component - Chemische vernickelung Messingkomponenten
Tratamento superficial níquelado químico componente latão - Tratamento superficial níquelado químico componente latão

Code	Materiale tenuta Sealing material Dichtungswerkstoff Material joints Material das vedação	Composizione For coil Verbindungen Composições Conexões	Ø Orifizio Ø Outlet Ø Din Ø Passage Ø Orificio Ø Orifício	Viscosità Viscosity Viskosität Viscosidade	kV	Pressione differenziale (DPD) differential pressure (DPS) Differenzdruck (DPS) Pressão diferencial (DPS)			Potenza Power Leistung Potência Potência			Bobine Coil Spulen Bobinas Bobinas			
						Bar			W	VA	W		mm		
						Min	Max DC	Max AC	W	VA	W		mm		
01F 02 1 15 _ 0	N = NBR -10°C +90°C		1/8"	1.5	25	0.06	0	16	30	6.5	7.5	-	22	A - SCL10	
								40	40	8	11	-	30	B - SCL11	
								40	40	-	-	-	5.3	30	X - SCL34
								12	25	6.5	7.5	-	22	A - SCL10	
								30	40	8	11	-	30	B - SCL11	
01F 02 1 02 _ 0	V = FKM -10°C +140°C		1/8"	2	37	0.09	0	18	35	-	-	5.3	30	X - SCL34	
								30	40	8	11	-	30	B - SCL11	
								13	30	8	11	-	30	B - SCL11	
								6	12	-	-	5.3	30	X - SCL34	
								4.5	18	6.5	7.5	-	22	A - SCL10	
01F 02 1 25 _ 0	E = EPDM -10°C +140°C		1/8"	2.5	53	0.15	0	3	10	6.5	7.5	-	22	A - SCL10	
								7	16	8	11	-	30	B - SCL11	
								3	5	-	-	5.3	30	X - SCL34	
								1	4	6.5	7.5	-	22	A - SCL10	
								1	4	6.5	7.5	-	22	A - SCL10	
01F 02 1 03 _ 0	C = CR -35°C +100°C		1/8"	3	53	0.20	0	3	10	6.5	7.5	-	22	A - SCL10	
								7	16	8	11	-	30	B - SCL11	
								3	5	-	-	5.3	30	X - SCL34	
								1	4	6.5	7.5	-	22	A - SCL10	
								1	4	6.5	7.5	-	22	A - SCL10	
01F 02 1 04 _ 0			1/8"	4	53	0.30	0	2.5	8	8	11	-	30	B - SCL11	
								1	2.5	-	-	5.3	30	X - SCL34	
								16	30	6.5	7.5	-	22	A - SCL10	
								40	40	8	11	-	30	B - SCL11	
								40	40	-	-	5.3	30	X - SCL34	

① selezionare tenuta - Select seal material - Wählen Sie das Dichtungsmaterial aus - Selección material sellado - Selecionar material de vedação
EPDM - P max= 2.5 bar - Con vapore - With steam - Mit Dampf - Avec vapeur - Com vapor - Com vapor

Bobina non inclusa - Coil not included - Magnetspulen separat - Bobinas non incluse - Bobina no incluida - Bobinas não incluídas



Size	A	B	C	D	E	F	G
1/8"	31.2	55.1	25.9	18	12.5	6.5	MB x 0.75
1/4"	37	56.1	29	21	12	6	MB x 0.75

Sezione bobine

IT

Coil section

GB

Bereich Magnetspulen

DE

Ogni valvola prevede l'utilizzo di determinate tipologie di bobine, come indicato per ciascuna serie.
Le pagine relative ad ogni serie bobina riportano le seguenti informazioni:

- 11 Famiglia prodotto con nuova nomenclatura, disegno in sezione e dimensionale della bobina.
- 12 Tabella codici bobine con le principali caratteristiche tecniche: tensioni di alimentazione disponibili, potenze standard, tolleranze e temperatura ambiente.
- 13 Informazioni tecniche generiche e opzioni su richiesta.
- 14 Taglia bobina, diametro operatore e servizio ED.
- 15 Certificazioni standard.
- 16 Nuovo riferimento a 2 digit e relativo codice bobina.

Each valve requires the use of certain types of coils, as indicated for each series.
The pages related to each coil series contain the following information:

- 11 Product family with new nomenclature, coil sectional and dimensional drawing.
- 12 Coil codes table with the main technical features: available voltages supply, standard powers, tolerances and ambient temperature.
- 13 General technical information and options on request.
- 14 Coil size, operator diameter and ED service.
- 15 Standard certifications.
- 16 New reference with 2 digits and related coil code.

Jedes Ventil erfordert die Verwendung bestimmter Spulentypen, die entsprechend für jede Serie angegeben sind.
Die Seiten enthalten die nachfolgenden Informationen:

- 11 Produktfamilie mit neuer Nomenklatur, Spulenquerschnitt und Maßzeichnung.
- 12 Tabelle der Spulencodes mit den wichtigsten technischen Merkmalen: Verfügbare Versorgungsspannungen, Standardleistungen, Toleranzen und Umgebungstemperatur.
- 13 Allgemeine technische Informationen und Ausführung auf Anfrage.
- 14 Spulengröße, Antriebsdurchmesser und ED-Betrieb.
- 15 Standard-Zertifizierungen.
- 16 Neue Referenz mit 2 Ziffern und relativem Spulencode.

Partie bobine

FR

Sección bobina

ES

Seção bobinas

PT

Chaque vanne nécessite l'utilisation de certains types de bobines, comme indiquée dans chaque série.
Les pages relatives à chaque série de bobines contiennent les informations suivantes:

- 11 Famille de produits avec nouvelle nomenclature et dimensions de la bobine.
- 12 Tableau des codes des bobines avec les principales caractéristiques techniques: tensions d'alimentation disponibles, puissances standards, tolérances et température ambiante.
- 13 Informations techniques générales et options sur demande.
- 14 Taille de bobine, diamètre de l'opérateur et service ED.
- 15 Certifications standards.
- 16 Nouvelle référence à 2 chiffres et code bobine relatif.

Cada válvula requiere el uso de ciertos tipos de bobinas según se indica para cada serie.
Las páginas relativas a cada tipo de bobinas muestran la siguiente información:

- 11 Familia de productos con nueva nomenclatura, dibujo de sección y dimensional de la bobina.
- 12 Tabla de códigos de las bobinas con las principales características técnicas: tensiones de alimentación disponibles, potencia estándar, tolerancia y temperatura ambiente.
- 13 Información técnica general y opciones bajo pedido.
- 14 Talla de la bobina, diámetro del operador y servicio ED.
- 15 Certificaciones estándar.
- 16 Nueva referencia con 2 dígitos y código de bobina relativo.

Cada válvula preve a utilização de determinadas tipologias de bobinas, como indicado para cada série.
As páginas relativas a cada série de bobina trazem as seguintes informações:

- 11 Família de produto com nova nomenclatura, desenho em seção e dimensional da bobina.
- 12 Tabela de código das bobinas com as principais características técnicas: tensões de alimentação disponíveis, potência padrão, tolerância e temperatura ambiente.
- 13 Informações técnicas genéricas e opções sob encomenda.
- 14 Tamanho da bobina, diâmetro de operador e serviço ED.
- 15 Certificação standard.
- 16 Nova referência com 2 dígitos e código relativo da bobina.

SERIE C

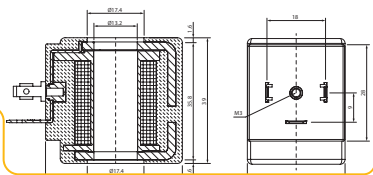
BOBINA 11

COIL
SPULE
BOBINE
BOBINA
SOLENOIDE

30 mm

13 mm

ED 100%



CE
C
UL 429 & CSA C22.2 NO. 139-13

Referimento	Codice	Tensione	Potenza	Tolleranza di tensione	Temperatura ambiente
Reference	Code	Voltage	Function	Voltage tolerance	Ambient temperature
Reference	Code	Leistung	Leistung	Spannungstoleranz	Umgebungstemperatur
Reference	Code	Tension	Puissance	Tolérance de la tension	Température ambiante
Reference	Código	Tensão	Potência	Tolerância de tensão	Temperatura Ambiente
CA	SOL20012CS000	12V DC	8 W	±10 %	-10 °C +80 °C
CB	SOL20024CS000	24V DC	8 W	±10 %	-10 °C +80 °C
C1	SOL20024AA000	24V AC / 50-60 Hz	14 VA	±10 %	-10 °C +80 °C
C2	SOL20110AA000	110V AC / 50-60 Hz	14 VA	±10 %	-10 °C +80 °C
C3	SOL20220AA000	220V AC / 50-60 Hz	14 VA	±10 %	-10 °C +80 °C

CLASSE DI ISOLAMENTO
CLASS OF ISOLATION
ISOLIERSTOFFKLASSE
CLASSE D'ISOLATION
CLASSE DE ISOLAMENTO

H

EN 60085

MATERIALE INCAPSULAMENTO
VERGÜSSMASSE
MATERIAL EXTERIEUR
MATERIAL DE ENCAPSULAMENTO

RYNITE®

CONNESSIONI ELETTRICHE
ELEKTRISCHE ANSCHLÜSSE
CONEXIONES ELECTRICAS
CONEXION ELECTRICA

FORM A

EN 175301-803
(EX DIN 43650)

TEMPERATURA AMBIENTE
AMBIENT TEMPERATURE
UMGEBUNGSTEMPERATUR
TEMPERATURE AMBIANTE
TEMPERATURA AMBIENTE

-10 °C
+80 °C

GRADO DI PROTEZIONE
DEGREE OF PROTECTION
SCHUTZART
GRADO DE PROTECCIÓN
GRAU DE PROTEÇÃO

IP67

IEC 60529

OPZIONI
OPTIONS
OPÇÕES

Altre tensioni/potenze su richiesta
Other voltages/powers on request
Andere Spannungen/Leistungen auf Anfrage
Autras tensões/potências su demanda
Outras tensões/potências sob encomenda

SERIE D

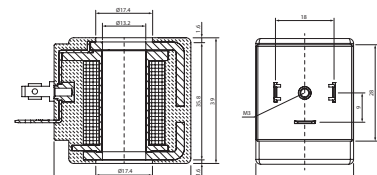
BOBINA

COIL
SPULE
BOBINE
BOBINA
SOLENOIDE

30 mm

13 mm

ED 100%



CE
C
UL 429 & CSA C22.2 NO. 139-13

Referimento	Codice	Tensione	Potenza	Tolleranza di tensione	Temperatura ambiente
Reference	Code	Voltage	Function	Voltage tolerance	Ambient temperature
Reference	Code	Leistung	Leistung	Spannungstoleranz	Umgebungstemperatur
Reference	Code	Tension	Puissance	Tolérance de la tension	Température ambiante
Reference	Código	Tensão	Potência	Tolerância de tensão	Temperatura Ambiente
DA	SOL20012SD000	12V DC	14 W	±10 %	-10 °C +80 °C
DB	SOL20024SD000	24V DC	14 W	±10 %	-10 °C +80 °C
D1	SOL20024AD000	24V AC / 50-60 Hz	21 VA	±10 %	-10 °C +80 °C
D2	SOL20110AD000	110V AC / 50-60 Hz	21 VA	±10 %	-10 °C +80 °C
D3	SOL20220AD000	220V AC / 50-60 Hz	21 VA	±10 %	-10 °C +80 °C

CLASSE DI ISOLAMENTO
INSULATION CLASS
ISOLIERSTOFFKLASSE
CLASSE D'ISOLATION
CLASSE DE ISOLAMENTO

H

EN 60085

MATERIALE INCAPSULAMENTO
VERGÜSSMASSE
MATERIAL EXTERIEUR
MATERIAL DE ENCAPSULAMENTO

RYNITE®

CONNESSIONI ELETTRICHE
ELEKTRISCHE ANSCHLÜSSE
CONEXIONES ELECTRICAS
CONEXION ELECTRICA

FORM A

EN 175301-803
(EX DIN 43650)

TEMPERATURA AMBIENTE
AMBIENT TEMPERATURE
UMGEBUNGSTEMPERATUR
TEMPERATURE AMBIANTE
TEMPERATURA AMBIENTE

-10 °C
+80 °C

GRADO DI PROTEZIONE
PROTECTION DEGREE
SCHUTZART
GRADO DE PROTECCIÓN
GRAU DE PROTEÇÃO

IP67

IEC 60529

OPZIONI
OPTIONS
OPÇÕES

Altre tensioni/potenze su richiesta
Other voltages/powers on request
Andere Spannungen/Leistungen auf Anfrage
Autras tensões/potências su demanda
Outras tensões/potências sob encomenda



Introduzione e funzionamento

Per elettrovalvola si intende un dispositivo elettromeccanico che permette il passaggio di un fluido, gassoso o liquido, attraverso un orifizio presente nel corpo valvola. L'apertura o la chiusura del orifizio principale, sia esso comandato direttamente o indirettamente, avviene tramite il nucleo mobile che si aziona mediante il campo magnetico generato dal solenoide.

Introduction and function

Solenoid valves are electromechanical devices which allow a fluid, either gaseous or liquid, to flow through an orifice inside the valve body. The opening or closing of the main orifice, whether controlled directly or indirectly, takes place via the mobile plunger which is activated by the magnetic field generated by the coil.

Einführung und Funktionsweise

Magnetventile sind elektromechanische Vorrichtungen, die den Durchfluss eines gasförmigen oder flüssigen Mediums durch eine Öffnung im Inneren des Ventilgehäuses ermöglichen. Das Öffnen oder Schließen der Hauptöffnung, ob direkt oder indirekt gesteuert, erfolgt über den beweglichen Stößel, der durch das von der Spule erzeugte Magnetfeld aktiviert wird.

Introduction et fonctionnement

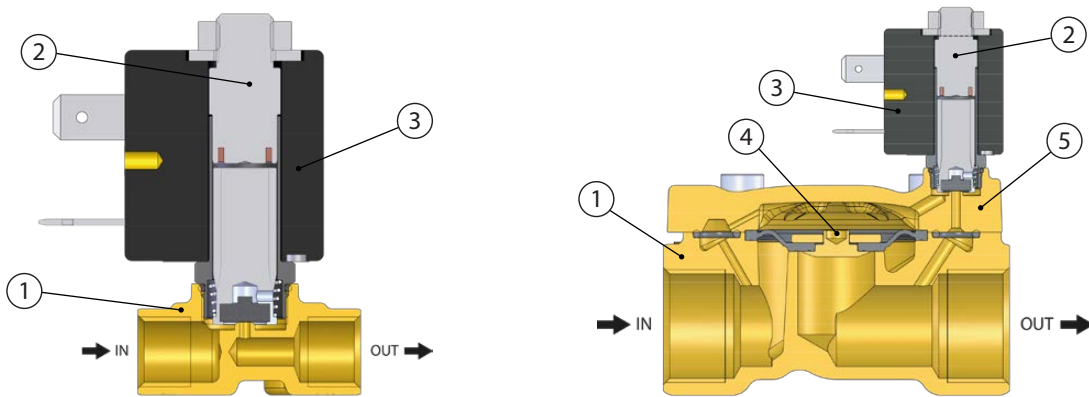
Par électrovanne, on entend un appareil électromécanique qui permet le passage d'un fluide, gazeux ou liquide, par un orifice présent dans le corps de la vanne. L'ouverture ou la fermeture de l'orifice principal, commandée directement ou indirectement, a lieu à travers le noyau mobile qui est activé par le champ magnétique généré par la bobine.

Introducción y funcionamiento

Por electroválvula se entiende un dispositivo electromecánico que permite el paso de un fluido, gaseoso o líquido, a través de un orificio presente en el cuerpo de la válvula. La apertura o cierre del orificio principal, ya sea comandada directa o indirectamente, tiene lugar a través del núcleo móvil que es activado por el campo magnético generado por el solenoide.

Introdução e funcionamento

Por eletroválvula, entende-se um dispositivo eletromecânico que permite a passagem de um fluido, gasoso ou líquido, através de um orifício presente no corpo de uma válvula. A abertura ou o fechamento do orifício principal, seja este comandado direta ou indiretamente, é feita através de um núcleo móvel que é acionado pelo campo magnético gerado pela bobina solenoide.



Elementi tecnico-costruttivi

- Le elettrovalvole sono composte da:
- 1 Corpo valvola, nel quale si trova l'orifizio principale e le connessioni di ingresso ed uscita alla linea.
 - 2 Kit operatore, composto da tubo guida (che alloggia il nucleo fisso) e nucleo mobile (che alloggia l'otturatore). Generando il campo magnetico, il nucleo mobile scorre all'interno del tubo guida consentendo l'apertura o la chiusura dell'orifizio principale o dell'orifizio pilota o dello scarico (nel caso di valvole a 3-vie).
 - 3 Bobina o solenoide, la quale genera il campo magnetico che serve per attivare il nucleo mobile.
 - 4 Membrana o pistone (solo per valvole servo-azionate), che permette l'apertura o la chiusura dell'orifizio principale.
 - 5 Coperchio (solo per valvole servo-azionate), il quale ha la funzione di alloggiare l'operatore ed essere fissato sul corpo per consentire al fluido lo scorrimento all'interno della valvola.

Technical elements and terminology

- The solenoid valves are composed by:
- 1 Valve body, in which there is the main orifice and the inlet/outlet connections to the line.
 - 2 Operator kit, composed by an armature tube (which houses the fixed core) and mobile core (which houses the shutter). Generating the magnetic field, the mobile plunger slides inside the armature tube allowing the opening or closing of the main orifice or the pilot orifice or the exhaust (in the case of a 3-way valves).
 - 3 Coil or solenoid, which generates the magnetic field needed to activate the mobile plunger.
 - 4 Diaphragm or piston (for servo-assisted valves only), which allows the opening or closing of the main orifice.
 - 5 Cover (for servo-assisted valves only), which has the function of housing the operator kit and being installed on the body to allow the fluid to flow inside the valve.

Technische und konstruktive Elemente

- Die Magnetventile bestehen aus:
- 1 Ventilkörper, in dem sich die Hauptöffnung und der Anschlüsse für die Rohrleitung befinden.
 - 2 Antriebssatz, bestehend aus einem Ankerrohr (in dem der feste Kern untergebracht ist) und einem beweglichen Kern (in dem der Schieber untergebracht ist). Durch die Erzeugung des Magnetfelds gleitet der bewegliche Kern im Ankerrohr und ermöglicht das Öffnen oder Schließen der Haupt- oder Vorsteueröffnung oder des Auslasses (bei 3-Wege-Ventilen).
 - 3 Spule oder Magnetspule, die das für die Betätigung des beweglichen Ankers erforderliche Magnetfeld erzeugt.
 - 4 Membran oder Kolben (nur bei vorgesteuerten Ventilen), der das Öffnen oder Schließen der Hauptdüse ermöglicht.
 - 5 Deckel (nur bei vorgesteuerten Ventilen), der die Aufgabe hat, das Bedienungs-kit zu beherbergen und auf dem Gehäuse installiert wird, um den Durchfluss der Flüssigkeit im Inneren des Ventils zu ermöglichen.

Éléments techniques et terminologie

- Les électrovannes sont constituées de:
- 1 Corps de vanne, dans lequel se trouve l'orifice principal et les raccords d'entrée et de sortie à la ligne.
 - 2 Kit opérateur, composé d'un tube de guidage (qui abrite le noyau fixe) et noyau mobile (qui abrite l'obturateur). En générant le champ magnétique, le piston se déplace à l'intérieur du tube de guidage permettant l'ouverture ou la fermeture du passage principal ou de l'orifice pilote ou de l'échappement (dans le cas de vannes 3 voies).
 - 3 Bobine ou solénoïde, qui génère le champ magnétique qui sert à activer le noyau mobile.
 - 4 Membrane ou piston (uniquement pour les vannes servocommandées), permet l'ouverture ou la fermeture de l'orifice principal.
 - 5 Couvercle (uniquement pour les vannes servo commandées) qui a la fonction de loger l'opérateur et d'être fixé sur le corps pour permettre au fluide de s'écouler à l'intérieur de la soupape.

Elementos técnico-constructivos

- La electroválvula está compuesta de:
- 1 Cuerpo de la válvula en el cual se encuentra el orificio principal y las conexiones de entrada y salida a la línea.
 - 2 Kit operador, compuesto de tubo guía (que aloja el núcleo fijo) y núcleo móvil (que aloja el obturador). Al generar el campo magnético, el núcleo móvil sube y baja por el interior del tubo guía permitiendo la apertura o cierre del orificio principal, o el escape (en el caso de las válvulas de 3 vías).
 - 3 Bobina o solenoide, la cual genera el campo magnético que sirve para activar el núcleo móvil.
 - 4 Membrana o pistón (solo para válvulas servoaccionadas) que permite la apertura o cierre del orificio principal.
 - 5 Tapa (sólo para válvulas servoaccionadas), que tiene la función de alojar al operador y ser fijado en el cuerpo para permitir que el fluido circule por la válvula.

Elementos técnico-constructivos

- As eletroválvulas são compostas por:
- 1 Corpo da válvula, na qual se encontra o orifício principal e as conexões de entrada e saída para a linha.
 - 2 Kit do operador, composto do tubo guia (que aloja o núcleo fixo) e núcleo móvel (que aloja o obturador). Gerando o campo magnético, o núcleo móvel desliza no interior do tubo guia permitindo a abertura ou o fechamento do orifício principal, do orifício de pilotagem ou do escape (no caso de válvulas de 3-vias).
 - 3 Bobina ou solenoide, a qual gera o campo magnético que serve para ativar o núcleo móvel.
 - 4 Membrana ou pistão (só para válvulas servo-acionadas), que permite a abertura ou o fechamento do orifício principal.
 - 5 Cobertura (só para válvulas servo-acionadas), a qual tem a função de alojar o operador e ser fixada no corpo para permitir ao fluido a passagem pelo interior da válvula.



Tipologia di elettrovalvole	IT	Solenoid valve types	GB	Magnetventil Typen	DE
1 Azionamento diretto - 2/2 e 3/2 2 Servo-azionate - 2/2 3 Membrana guidata $\Delta p = 0$ bar - 2/2		1 Direct acting - 2/2 and 3/2 2 Servo-assisted - 2/2 3 Guided diaphragm $\Delta p = 0$ bar - 2/2		1 Direktwirkend - 2/2 und 3/2 2 Servounterstützt - 2/2 3 Geführte membran $\Delta p = 0$ bar - 2/2	
Type d'électrovannes	FR	Versión de la electroválvula	ES	Versões da válvula solenóide	PT
1 Actionnement direct - 2/2 et 3/2 2 Servo-assisté - 2/2 3 Membrane guidée $\Delta p = 0$ bar - 2/2		1 Accionamiento directo - 2/2 y 3/2 2 Servoaccionada - 2/2 3 Membrana guiada $\Delta p = 0$ bar - 2/2		1 Acionamento direto - 2/2 e 3/2 2 Servo-acionada - 2/2 3 Membrana guiada $\Delta p = 0$ bar - 2/2	

ELETTROVALVOLE AD AZIONAMENTO DIRETTO

DIRECT ACTING SOLENOID VALVES
MAGNEVENTILE MIT DIREKTER BETÄTIGUNG
ELECTROVANNES A ACTIONNEMENT DIRECT
ELECTROVÁLVULAS DE ACCIONAMIENTO DIRECTO
ELETROVÁLVULA DE ACIONAMENTO DIRETO

1



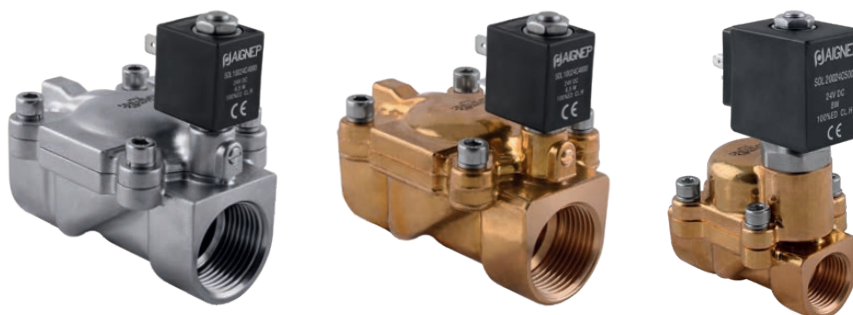
2/2 NC - NO

3/2 NC - NO

ELETTROVALVOLE SERVO-AZIONATE

SERVO-ASSISTED SOLENOID VALVES
MAGNEVENTILE SERVOGESTEUERTES
ÉLECTROVANNES SERVO ASSISTÉES
ELECTROVÁLVULA SERVOACCIONADA
ELETROVÁLVULAS SERVO-PILOTADAS

2



2/2 NC - NO

ELETTROVALVOLE A MEMBRANA GUIDATA $\Delta p = 0$ bar

GUIDED DIAPHRAGM SOLENOID VALVES $\Delta p = 0$ bar
GEFÜHRTE MEMBRAN-MAGNETVENTILE $\Delta p = 0$ bar
ÉLECTROVANNES À MEMBRANE GUIDÉE $\Delta p = 0$ bar
ELECTROVÁLVULAS DE MEMBRANA GUIADA $\Delta p = 0$ bar
ELETROVÁLVULAS DE MEMBRANA GUIADA $\Delta p = 0$ bar

3



2/2 NC

ELETTROVALVOLE AD AZIONAMENTO DIRETTO

DIRECT ACTING SOLENOID VALVES
 MAGNETVENTILE MIT DIREKTER BETÄTIGUNG
 ELECTROVANNES A ACTIONNEMENT DIRECT
 ELECTROVÁLVULAS DE ACCIONAMIENTO DIRECTO
 ELETRVÁLVULAS DE ACIONAMENTO DIRETO

2/2



Azionamento diretto 2/2 - NC / NA / Bistabile

IT

Nelle elettrovalvole ad azionamento diretto 2/2-vie, disponibili nelle versioni Normalmente Chiuse o Normalmente Aperte, il nucleo mobile apre o chiude direttamente l'orifizio principale della valvola. Questa tipologia di valvole funziona anche con minima OPD zero bar sino ad una max OPD che varia a seconda del modello e della potenza della bobina. Il funzionamento, in entrambi i casi (NC o NA), è determinato dal campo magnetico prodotto dal passaggio della corrente nella bobina. Nelle elettrovalvole 2/2 Bistabili, la commutazione avviene inviando un impulso elettrico della durata di almeno 20ms con polarità invertita rispetto all'impulso precedente.

Direct acting 2/2 - NC / NO / Latching

GB

In the 2/2-way direct acting solenoid valves, available in Normally Closed or Normally Open versions, the mobile plunger opens or closes the main orifice of the valve. These type of valves work also with a minimum OPD zero bar up to a maximum OPD which varies according to the model and the power of the coil. In both cases (NC or NO), the functioning is determined by the magnetic field generated by the current in the coil. In 2/2 Latching valves, the switching is done by sending an electrical pulse of at least 20ms duration with polarity inverted compared to the previous pulse.

Direkte Betätigung 2/2 - NC / NO / Bistabil

DE

Bei den direktwirkenden 2/2-Wege-Magnetventilen, die in den Ausführungen "stromlos geschlossen" oder "stromlos offen" erhältlich sind, öffnet oder schließt der bewegliche Tauchanker die Hauptöffnung des Ventils. Diese Art von Ventilen funktioniert auch mit einem Mindest-OPD von null bar bis zu einem maximalen OPD, der je nach Modell und Leistung der Spule variiert. In beiden Fällen, (NC oder NO), wird die Funktion durch das Magnetfeld bestimmt, das durch den Strom in der Spule erzeugt wird. Bei den 2/2-Bistabile-Magnetventilen erfolgt die Umschaltung durch Senden eines elektrischen Impulses mit einer Dauer von mindestens 20 ms mit umgekehrter Polarität im Vergleich zum vorherigen Impuls.

Actionnement direct 2/2 - NC / NO / Bistable

FR

Dans les électrovannes à actionnement direct 2/2, disponibles en Versions Normalement Fermé ou Normalement Ouvert, le piston mobile ouvre ou ferme l'orifice principal de la vanne. Ce type de vannes fonctionne également avec un minimum d'OPD zéro bar jusqu'à un OPD maximum qui varie en fonction du type et de la puissance de la bobine. Dans les deux cas (NC ou NO), le fonctionnement est déterminé par le champ magnétique généré par le courant dans la bobine. Dans les électrovannes 2/2 Bistables, la commutation se fait en envoyant une impulsion électrique d'au moins 20ms avec polarité inversée par rapport à l'impulsion précédente.

Accionamiento directo 2/2 - NC / NO / Biestable

ES

En las electroválvulas de accionamiento directo 2/2 vías, disponible en Versiones Normalmente Cerrada y Normalmente Abierta, el núcleo móvil abre o cierra directamente el orificio principal de la válvula. Este tipo de válvulas trabajan también con OPD cero hasta un OPD máximo que varía según el modelo y la potencia de la bobina. En ambos casos (NC o NO), el funcionamiento viene determinado por el campo magnético generado por el paso de la corriente por la bobina. En las electroválvulas 2/2 Bistables, la conmutación se realiza enviando un pulso eléctrico de una duración mínima de 20ms con polaridad invertida respecto al impulso anterior.

Acionamento direto 2/2 - NC / NO / Biestável

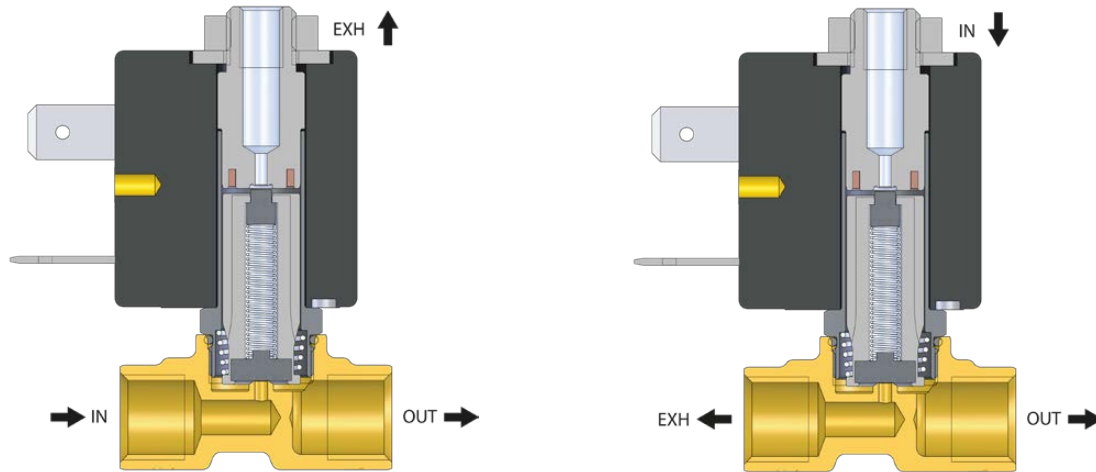
PT

Nas eletroválvulas de acionamento direto 2/2-vias, disponíveis nas versões Normalemente Fechada ou Normalemente Aberta, o núcleo móvel abre ou fecha diretamente o orifício principal da válvula. Esta tipologia de válvulas funciona com pressão diferencial mínima de zero bar, e pressão diferencial máxima que varia de acordo com o modelo e a potência da bobina escolhida. O funcionamento, em ambos os casos, (NC ou NA), é determinado pelo campo magnético produzido pela passagem da corrente na bobina. Em 2/2 válvulas solenóides bistáveis, a comutação é feita enviando um pulso elétrico de pelo menos 20ms duração com polaridade invertida em comparação com o pulso anterior.

ELETTROVALVOLE AD AZIONAMENTO DIRETTO

DIRECT ACTING SOLENOID VALVES
 MAGNETVENTILE MIT DIREKTER BETÄTIGUNG
 ELECTROVANNES A ACTIONNEMENT DIRECT
 ELECTROVÁLVULAS DE ACCIONAMIENTO DIRECTO
 ELETROVÁLVULAS DE ACIONAMENTO DIRETO

3/2



Azionamento diretto 3/2 - NC e NA

IT

Direct acting 3/2 - NC and NO

GB

Direkte Betätigung 3/2 - NC und NO

DE

Le elettrovalvole ad azionamento diretto 3/2-vie hanno le connessioni di ingresso e di uscita ricavate nel corpo valvola, ed una connessione di scarico ricavata nel nucleo fisso. L'orificio principale e di scarico sono intercettati direttamente dagli otturatori presenti nel nucleo mobile. Queste valvole sono disponibili nelle versioni Normalmente Chiuse o Normalmente Aperte e possono funzionare con minima OPD zero bar sino ad una max OPD che varia a seconda del modello. Nella versione NC, a riposo uscita e scarico sono in comunicazione tra loro, mentre il fluido in ingresso viene intercettato dall'otturatore. Eccitando la bobina viene aperto l'orificio principale ed il fluido può scorrere dall'ingresso verso l'uscita; lo scarico è chiuso. Nella versione NA, a riposo l'orificio principale è aperto ed il fluido può scorrere dall'ingresso verso l'uscita, mentre lo scarico è chiuso. Eccitando la bobina viene chiuso l'orificio principale ed aperto lo scarico che viene messo in comunicazione con l'uscita. Il funzionamento, in entrambi i casi, è determinato unicamente dal campo magnetico prodotto dal passaggio della corrente nella bobina.

The 3/2-way direct acting solenoid valves have inlet and outlet connections carved/machined from the valve body and an exhaust connection carved/machined from the fixed core. The main and the exhaust orifices are intercepted by the shutters present in the mobile plunger. These valves are available in the Normally Closed or Normally Open versions and can operate with a minimum OPD of zero bar up to a maximum OPD which varies according to the model. In the NC version, in rest position the outlet and exhaust are in communication each other, while the incoming fluid is intercepted by the shutter. By energizing the coil, the main orifice is opened and the fluid can flow from the inlet to the outlet; the exhaust is closed. In the NO version, in rest position the main orifice is open and the fluid can flow from the inlet to the outlet, while the exhaust is closed and the outlet is in communication with the exhaust which is opened. In both cases the functioning is determined by the magnetic field generated by the passage of current in the coil.

Die direktwirkenden 3/2-Wege-Magnetventile haben einen Einlass- und einen Auslassanschluss im Ventilgehäuse und einen Auslassanschluss im festen Kern. Die Haupt- und Entlüftungsöffnungen werden durch die im beweglichen Stößel vorhandenen Klappen abgefangen. Diese Ventile sind in den Ausführungen normal geschlossen oder normal offen erhältlich und können mit einem Mindest-OPD von null bar bis zu einem maximalen OPD arbeiten, der je nach Modell variiert. Bei der NC-Version sind in der Ruhestellung der Auslass und die Entlüftung miteinander verbunden, während die einströmende Flüssigkeit von der Klappe abgefangen wird. Durch Erregen der Spule wird die Hauptöffnung geöffnet und die Flüssigkeit kann vom Einlass zum Auslass fließen; der Auslass ist geschlossen. Bei der NO-Version ist in der Ruhestellung die Hauptdüse geöffnet und die Flüssigkeit kann vom Einlass zum Auslass fließen, während der Auslass geschlossen ist. Durch Einschalten der Spule wird die Hauptöffnung geschlossen und der Auslass steht mit dem geöffneten Auslass in Verbindung. In beiden Fällen wird die Funktion durch das Magnetfeld bestimmt, das durch den Strom in der Spule erzeugt wird.

Actionnement direct 3/2 - NF et NO

FR

Accionamiento directo 3/2 - NC y NO

ES

Acionamento direto 3/2 - NC and NO

PT

Les électrovannes à actionnement direct 3/2 ont une entrée et sortie dans le corps de vanne et un échappement dans le noyau fixe. Le passage principal et l'échappement sont canalisés par les obturateurs présent dans le piston mobile. Ces vannes sont disponibles en version normalement fermée ou normalement ouverte et peuvent fonctionner avec un OPD minimum de zéro bar jusqu'à un OPD maximum qui varie selon le modèle. Dans la version NC, en position repos, la sortie et l'échappement communiquent directement, tandis que le fluide entrant est bloqué par l'obturateur. En alimentant la bobine, le passage principal est ouvert et le fluide peut s'écouler de l'entrée vers la sortie; l'échappement est fermé. Dans la version NO, en position repos le passage principal est ouvert et le fluide peut s'écouler de l'entrée à la sortie, tandis que l'échappement est fermé. En alimentant la bobine, le passage principal est fermé et la sortie communique avec l'échappement. Dans les deux cas, le fonctionnement est déterminé par le champ magnétique généré par le courant dans la bobine.

En las electroválvulas de accionamiento directo 3/2 las conexiones de entrada y salida están realizadas en el cuerpo de la válvula y una conexión de escape que está en el núcleo fijo. El orificio principal y el escape abren y cierran por la presencia del núcleo móvil. Estas válvulas están disponibles en la versión normalmente cerrada y abierta. Aparte pueden funcionar con una mínima OPD cero bar, hasta una máxima OPD que varía según el modelo. En la versión NC, en reposo la salida y el escape están comunicados entre ellos mientras el fluido en la entrada está interceptado por el obturador. Excitando la bobina abrimos el orificio principal y el fluido puede circular de la entrada a la salida, el escape está cerrado. En la versión NA, en reposo el orificio principal está abierto y el fluido puede circular de la entrada a la salida mientras el escape está cerrado. Excitando la bobina cerramos el orificio principal y abrimos el escape que se comunica con la salida. El funcionamiento, en ambos casos, viene determinado únicamente del campo magnético producido por el paso de la corriente por la bobina.

As eletroválvulas de acionamento direto 3/2-vias possuem as conexões de entrada e de saída no corpo da válvula e uma conexão de escape no núcleo fixo. Os orifícios principais e de escape são fechados diretamente pelo obturador presente no núcleo móvel. Estas válvulas estão disponíveis nas versões Normalmente Fechada ou Normalmente Aberta e podem funcionar com pressão diferencial mínima de zero bar e uma pressão diferencial máxima que varia segundo o modelo escolhido. Na versão NF, em repouso, a saída e o escape estão em comunicação entre si, enquanto o fluido de entrada fica interceptado pelo obturador. Acionando-se a bobina é aberto o orificio principal e o fluido pode passar da entrada para a saída; o escape é fechado nesta situação. Na versão NA, em repouso, o orificio principal é aberto e o fluido pode passar da entrada para a saída, enquanto o escape é fechado. Acionando a bobina fecha-se o orificio principal e abre-se o escape que fica em comunicação com a saída. O funcionamento, em ambos os casos, é determinado apenas pelo campo magnético produzido pela passagem da corrente na bobina.

ELETTROVALVOLE SERVO-AZIONATE O AD AZIONAMENTO INDIRETTO

SERVO-ASSISTED OR INDIRECT ACTING SOLENOID VALVES
 MAGNETVENTILE SERVOGESTEUERTES ODER INDIREKTER BETÄTIGUNG
 ÉLECTROVANNES SERVO ASSISTEES OU A ACTIONNEMENT INDIRECT
 ELECTROVÁLVULA SERVOACCIONADA O DE ACCIONAMIENTO INDIRECTO
 ELETROVÁLVULAS SERVO-PILOTADAS OU DE ACIONAMENTO INDIRETO



Servo-azionate 2/2 - NC / NA / Bistabile

IT

Nelle elettrovalvole servo-azionate, disponibili nelle versioni 2/2-vie Normalmente Chiuso o Normalmente Aperte, la caratteristica principale è di poter gestire portate elevate rispetto alle valvole ad azionamento diretto, mentre il fluido viene intercettato dalla membrana o dal pistone che agisce sull'orifizio principale.

In queste tipologie di valvole l'apertura o la chiusura dell'orifizio principale avviene per mezzo della min OPD, generata tra ingresso ed uscita, che consente il movimento della membrana o del pistone.

Excitando la bobina, il nucleo mobile apre o chiude l'orifizio pilota determinando lo scarico o il carico del fluido che agisce nella camera superiore della membrana o del pistone, generando così uno squilibrio di forze (Δp) tali da consentire il movimento della membrana o del pistone e quindi l'apertura o la chiusura dell'orifizio principale.

Il funzionamento delle valvole servo-azionate dipende sia dal campo magnetico generato dalla bobina per il controllo dell'orifizio pilota, che dalla min OPD necessaria per l'apertura/chiusura della membrana o del pistone.

Nelle elettrovalvole 2/2 Bistabili, la commutazione avviene inviando un impulso elettrico della durata di almeno 20ms con polarità invertita rispetto all'impulso precedente.

Servo-assisted 2/2 - NC / NO / Latching

GB

In the servo-assisted solenoid valves, available in the 2/2-way Normally Closed or Normally Open versions, the main feature is the possibility to manage high flow rates compared to the direct acting valves, while the fluid is intercepted by the diaphragm or by the piston which acts on the main orifice. In these types of valves the opening or closing of the main orifice is determined by the min OPD, generated between the inlet and the outlet, which allows the movement of the diaphragm or piston.

By energizing the coil the mobile plunger opens or closes the pilot orifice causing the relieve or the load of the fluid that acts in the top chamber of the diaphragm or piston, generating an imbalance of forces (Δp) able to allow the movement of the diaphragm or piston and therefore the opening or closing of the main orifice.

The functioning of the servo-assisted valves depends both from the magnetic field generated by the coil for controlling the pilot orifice and from the min OPD required for opening/closing the diaphragm or piston.

In 2/2 Latching valves, the switching is done by sending an electrical pulse of at least 20ms duration with polarity inverted compared to the previous pulse.

Servogesteuertes Magnetventil 2/2 - NC / NO / Bistabil

DE

Bei den servogesteuerten Magnetventilen, die in den Ausführungen 2/2-Wege-Magnetventile in geschlossener oder offener Ausführung erhältlich sind, können im Vergleich zu den direkt wirkenden Ventilen hohe Durchflussmengen transportiert werden. Wobei die Flüssigkeit von der Membran oder dem Kolben, der auf die Hauptdüse wirkt, abgefangen wird. Bei diesen Ventiltypen wird das Öffnen oder Schließen der Hauptöffnung durch den Mindest-OPD bestimmt, der zwischen dem Einlass und dem Auslass erzeugt wird und die Bewegung der Membran oder des Kolbens ermöglicht. Durch Erregung der Spule öffnet oder schließt der bewegliche Stößel die Vorsteueröffnung, wodurch das Fluid, das in der oberen Kammer der Membran oder des Kolbens wirkt, entlastet oder belastet wird und ein Ungleichgewicht der Kräfte (Δp) erzeugt wird, das die Bewegung der Membran oder des Kolbens und somit das Öffnen oder Schließen der Hauptöffnung ermöglicht. Die Funktion der servogesteuerten Ventile hängt sowohl von dem Magnetfeld ab, das von der Spule zur Steuerung der Pilotdüse erzeugt wird, als auch von dem Mindest-OPD, das zum Öffnen/Schließen der Membran oder des Kolbens erforderlich ist.

Bei den 2/2-Bistabile-Magnetventilen erfolgt die Umschaltung durch Senden eines elektrischen Impulses mit einer Dauer von mindestens 20 ms mit umgekehrter Polarität im Vergleich zum vorherigen Impuls.

Servo-assistée 2/2 - NC / NO / Bistable

FR

Dans les électrovannes servo-assistées, disponibles dans les Versions 2/2 Normalement Fermée ou Normalement Ouverte, la caractéristique principale est de gérer des débits élevés par rapport aux vannes à actionnement directe, tandis que le fluide est bloqué par le diaphragme ou par le piston qui agit sur l'orifice principal.

Dans ces types de vannes, l'ouverture ou la fermeture du passage principal est déterminé par l'OPD min, généré entre l'entrée et la sortie, ce qui permet le mouvement du diaphragme ou piston.

Lorsque la bobine est alimentée, le noyau mobile provoque l'ouverture d'un orifice (orifice pilote) et décharge la chambre au-dessus de la membrane. Le déséquilibre des pressions (Δp) provoque le déplacement de la membrane ou du piston qui ouvre l'orifice principal.

Le fonctionnement des vannes servo-assistées dépend à la fois du champ magnétique généré par la bobine pour contrôler l'orifice du pilote et de l'OPD min requis pour l'ouverture/fermeture du diaphragme ou du piston.

Dans les électrovannes 2/2 Bistables, la commutation se fait en envoyant une impulsion électrique d'au moins 20ms avec polarité inversée par rapport à l'impulsion précédente.

Servoaccionada 2/2 - NC / NO / Bistable

ES

En las electroválvulas servoaccionadas, disponibles en versión 2/2 vías, normalmente cerradas o normalmente abiertas, la característica principal es la de poder gestionar caudales elevados en comparación con las válvulas de accionamiento directo mientras que el fluido es interceptado por la membrana o el pistón que actúa sobre el orificio principal.

En este tipo de válvulas abrir o cerrar el orificio principal se produce por medio de una diferencia de presión OPD generado entre la entrada y salida que permite el movimiento de la membrana o el pistón.

Excitando la bobina, el núcleo móvil abre o cierra el orificio de pilotaje determinando el escape o carga del fluido que actúa en la cámara superior de la membrana o pistón, generando así un desequilibrio de las fuerzas (Δp) para permitir el movimiento de la membrana o pistón y por tanto la apertura o cierre del orificio principal.

El funcionamiento de la válvula servoaccionada depende tanto del campo magnético generado por la bobina para el control del pilotaje, como de la diferencia de presión requerida OPD para abrir cerrar la membrana o el pistón.

En las electroválvulas 2/2 Bistables, la conmutación se realiza enviando un pulso eléctrico de una duración mínima de 20ms con polaridad invertida respecto al impulso anterior.

Servo-pilotada 2/2 - NC / NO / Bistável

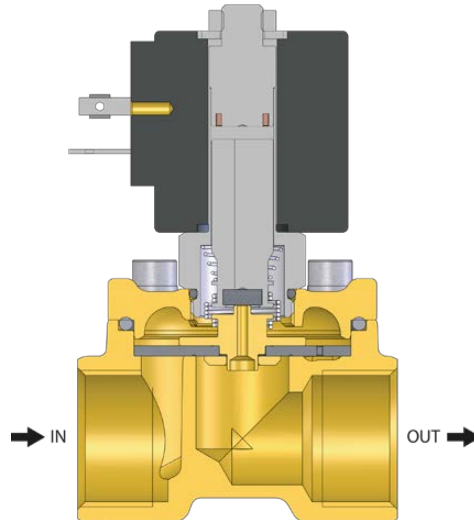
PT

Nas eletroválvulas servo-pilotadas, disponíveis nas versões 2/2-vias Normalmente Fechada ou Normalmente Aberta, a característica principal é poder controlar vazões elevadas em comparação às válvulas de acionamento direto, enquanto o fluido é interceptado pela membrana ou pelo pistão que age no orifício principal. Nestas tipologias de válvulas a abertura ou fechamento do orifício principal ocorre por meio da pressão diferencial mínima, gerada entre a entrada e a saída, que permite o movimento da membrana ou do pistão. Acionando a bobina, o núcleo móvel abre ou fecha o orifício piloto determinando o escape ou o carregamento do fluido, que age na câmara superior da membrana ou pistão, gerando assim um desequilíbrio de forças (Δp) tal que permite o movimento da membrana ou do pistão e então, a abertura ou fechamento do orifício principal. O funcionamento das válvulas servo-pilotadas depende, seja do campo magnético gerado pela bobina para o controle do orifício piloto, ou da pressão diferencial mínima necessária para a abertura/fechamento da membrana ou do pistão.

Em 2/2 válvulas solenóides bistáveis, a comutação é feita enviando um pulso elétrico de pelo menos 20ms duração com polaridade invertida em comparação com o pulso anterior.

ELETTROVALVOLE AD AZIONAMENTO MISTO

MIXED ACTING SOLENOID VALVES
 MAGNETVENTILE MISCHBETRIEB
 ÉLECTROVANNES Á FONCTIONNEMENT MIXTE
 ELECTROVALVULAS DE ACCIONAMIENTO COMBINADO
 ELETROVÁLVULAS COM OPERAÇÃO MISTA



Azionamento misto 2/2 - NC

IT

Le elettrovalvole ad azionamento misto, disponibili nella versione 2/2-vie Normalmente Chiuse, sono la combinazione tra le valvole ad azionamento diretto e servo-azionate. In queste valvole il nucleo mobile è collegato meccanicamente alla membrana, nella quale è presente l'orifizio pilota. Eccitando la bobina il nucleo mobile apre l'orifizio pilota (scaricando la pressione presente nella camera superiore della membrana) e contemporaneamente solleva la membrana che a sua volta apre l'orifizio principale. L'apertura parziale della valvola avviene anche a pressione zero bar, mentre per una apertura totale è necessario un Δp minimo.

Mixed acting 2/2 - NC

GB

The mixed acting solenoid valves, available in the 2/2-way Normally Closed version, are the combination of direct acting and servo-assisted valves. In these valves the mobile plunger is mechanically connected to the diaphragm, in which the pilot orifice is in. By energizing the coil, the mobile plunger opens the pilot orifice (releasing the pressure present in the top chamber of the diaphragm) and at the same time raises the diaphragm which opens the main orifice. Partial opening of the valve occurs at zero bar pressure, while a minimum Δp is required for total opening.

Mischbetrieb 2/2 - NC

DE

Die gemischt wirkenden Magnetventile, die in der Ausführung 2/2-Wege normal geschlossen erhältlich sind, sind eine Kombination aus direkt wirkenden und vorgesteuerten Ventilen. Bei diesen Ventilen ist der bewegliche Stößel mechanisch mit der Membran verbunden, in der sich die Vorsteuerdüse befindet. Durch Erregung der Spule öffnet der bewegliche Stößel die Vorsteuerdüse (wodurch der Druck in der oberen Membrankammer abgebaut wird) und hebt gleichzeitig die Membran an, wodurch die Hauptdüse geöffnet wird. Die teilweise Öffnung des Ventils erfolgt bei einem Druck von null bar, während für die vollständige Öffnung ein Mindestdruck Differenzdruck erforderlich ist.

Action mixte 2/2 - NF

FR

Les électrovannes mixtes, disponibles en version 2/2 normalement fermée, sont la combinaison de vannes à actionnement direct et servo-assistées. Dans ces vannes, le piston mobile est mécaniquement relié au diaphragme, dans lequel se trouve l'orifice pilote. En alimentant la bobine, le piston ouvre l'orifice pilote (relâchant la pression présente dans la chambre haute de la membrane) et en même temps soulève la membrane qui à son tour ouvre l'orifice principal. L'ouverture partielle de la vanne se produit à une pression de zéro bar, tandis qu'un Δp minimum est requis pour une ouverture totale.

Accionamiento Combinado 2/2 - NC

ES

Las electroválvulas de accionamiento combinado, disponibles en la versión 2/2 vías normalmente cerrada, son la combinación de las válvulas de accionamiento directo y servoaccionadas. En esta válvula el núcleo móvil está unido mecánicamente a la membrana en la que está presente el orificio de pilotaje. Excitando la bobina el núcleo móvil abre el orificio de pilotaje (liberando la presión presente en la cámara superior de la membrana) y al mismo tiempo eleva la membrana abriendo el orificio principal. La apertura parcial de la válvula también ocurre a presión cero bar, mientras que para una apertura total se requiere una Δp mínima.

Operação mista 2/2 - NC

PT

As eletroválvulas de accionamento misto, disponíveis na versão 2/2-vias Normalmente Fechada, são a combinação entre as válvulas de accionamento direto e servo-pilotadas. Nestas válvulas o núcleo móvel é coligado mecanicamente à membrana, na qual está presente o orificio de pilotagem. Acionando-se a bobina, o núcleo móvel abre o orificio de pilotagem (descarregando a pressão presente na câmara superior da membrana) e contemporaneamente eleva a membrana que por sua vez abre o orificio principal. A abertura parcial da válvula é possível também à pressão de zero bar, enquanto para uma abertura total é necessário um Δp mínimo.

INFORMAZIONI TECNICHE GENERALI

GENERAL TECHNICAL INFORMATION

ALLGEMEINE TECHNISCHE INFORMATIONEN

INFORMATIONS TECHNIQUES GÉNÉRALES

INFORMACIÓN TÉCNICA GENERAL

INFORMAÇÕES TÉCNICAS GERAIS

IT

Pressione differenziale Δp

Con pressione differenziale (o caduta di pressione o perdita di carico) si intende la differenza di pressioni tra l'ingresso e l'uscita della valvola. Il simbolo è Δp .

Pressione Differenziale di Esercizio (OPD)

Le prestazioni delle elettrovalvole vengono misurate con la differenza di pressione massima e minima tra l'ingresso e l'uscita della valvola.

Per ogni modello valvola vengono sempre indicati la massima e la minima OPD.

Con MOPD (Massima Pressione Differenziale di Esercizio) si intende il Δp massimo di lavoro che la valvola deve vincere per consentire il passaggio del flusso. A parità di orifizio, ma a seconda della tensione di alimentazione AC o DC, i valori di MOPD possono essere differenti.

Con mOPD (minima Pressione Differenziale di Esercizio) si intende il Δp minimo di lavoro per consentire l'apertura o la chiusura dell'orifizio principale. Nelle valvole ad azionamento diretto può essere pari a 0 bar, mentre nelle valvole servo-azionate deve sempre essere > 0 bar.

Contropressione

La contropressione è la pressione di uscita che lavora in senso opposto al flusso desiderato. Spesso si genera a causa di piegature o curve delle tubazioni poste in uscita alla valvola, riducendo quindi il flusso.

Le elettrovalvole a 2 vie non consentono che la pressione di uscita (o contropressione) sia maggiore della pressione di ingresso.

Qualora dovesse verificarsi questa situazione, è consigliato utilizzare valvole di ritegno per evitare che la contropressione invada il circuito a monte della valvola.

Massima pressione ammissibile (PS)

La massima pressione ammissibile (PS) è la pressione massima che la valvola può sostenere prima di subire danneggiamenti ai componenti interni e/o avere perdite verso l'esterno.

Non ha alcun rapporto con la MOPD a patto che deve essere maggiore o comunque di pari valore alla pressione di ingresso.

GB

Differential pressure Δp

Differential pressure (or pressure drop) means the pressures difference between the valve's inlet and outlet.

The symbol is Δp .

Operating Pressure Difference (OPD)

Solenoid valves performances are measured with the maximum and minimum pressure difference between the valve inlet and outlet.

The maximum and minimum OPD are indicated for each valve model.

MOPD (Maximum Operative Pressure Difference) indicates the maximum working Δp that the valve must overcome to allow the fluid to flow. With the same orifice, but with AC or DC voltage supply, the MOPD values can be different.

mOPD (minimum Operative Pressure Difference) indicates the minimum working Δp to allow the opening or closing of the main orifice. In direct acting valves it can be 0 bar, while in servo-assisted valves it must always be > 0 bar.

Back pressure

Back pressure is the outlet pressure that works opposite to the desired flow. It is often generated due to kinks or bends in the pipes or spray nozzles placed downstream of the valve outlet, thus reducing the flow.

In 2-way solenoid valves the back pressure higher than the inlet pressure will not allow the valve to function correctly.

Whenever this situation occur, the recommendation is to use check valves to prevent the back pressure to run over the upstream circuit of the valve.

Maximum allowable pressure (PS)

The maximum allowable pressure (PS) is the maximum pressure that the valve can withstand before having damages to the internal components and/or having external leakages.

It's not related with the MOPD as long as it must be higher than or in any case equal to the inlet pressure.

DE

Differenzdruck Δp

Der Differenzdruck (oder Druckabfall) ist der Unterschied zwischen dem Druck am Ein- und Ausgang des Ventils. Das Symbol ist Δp .

Betriebsdruckdifferenz (OPD)

Die Leistung von Magnetventilen wird anhand der maximalen und minimalen Druckdifferenz zwischen Ventilein- und -Ausgang gemessen. Die maximale und minimale OPD wird immer für jedes Ventilmodell angegeben.

Bei MOPD (Maximum Operative Pressure Difference) handelt es sich um den maximalen Arbeitsdruck, den das Ventil überwinden muss, um den Durchfluss der Flüssigkeit zu ermöglichen. Bei gleicher Nennweite, aber mit AC- oder DC-Spannungsversorgung, können die MOPD-Werte unterschiedlich sein.

Unter mOPD (minimum Operative Pressure Difference) versteht man das minimale Arbeits- Δp , das das Öffnen oder Schließen der Hauptdüse ermöglicht. Bei direktwirkenden Ventilen kann er 0 bar betragen, während er bei vorgesteuerten Ventilen immer > 0 bar sein muss.

Gegendruck

Der Gegendruck ist der Ausgangsdruck, der in entgegengesetzter Richtung zum gewünschten Durchfluss wirkt. Er entsteht oft durch Knick- oder Biegungen in den Rohren am Ventilausgang, wodurch der Durchfluss verringert wird.

Bei 2-Wege-Magnetventilen darf der Ausgangsdruck (oder Gegendruck) nicht höher sein als der Eingangsdruck.

In diesem Fall empfiehlt es sich, Rückschlagventile zu verwenden, um zu verhindern, dass der Gegendruck über den vorgeschalteten Kreislauf des Ventils läuft.

Maximal zulässiger Druck (PS)

Der maximal zulässige Druck (PS) ist der maximale Druck, dem das Ventil standhalten kann, ohne dass die internen Komponenten beschädigt werden und/oder es zu externen Leckagen kommt. Er steht in keiner Beziehung zum MOPD, solange er höher als der Eingangsdruck oder in jedem Fall gleich diesem ist.

FR

Pression différentielle Δp

La pression différentielle (ou chute de pression) signifie la différence de pressions entre l'entrée et la sortie de la vanne.
Le symbole est Δp .

Pression différentielle de fonctionnement (OPD)

Les performances des électrovannes sont mesurées avec la différence de pression maximale et minimale entre l'entrée et la sortie de la vanne.
L'OPD maximum et minimum sont toujours notifiés pour chaque modèle de vanne.

Avec MOPD (Maximum Operative Pressure Difference), cela signifie le Δp de travail maximal que la vanne doit surmonter pour permettre le passage du fluide. Avec le même orifice, mais selon la tension d'alimentation AC ou DC, les valeurs MOPD peuvent être différentes.

Avec mOPD (minimum Operative Pressure Difference), cela signifie le Δp de travail minimum pour permettre l'ouverture ou la fermeture de l'orifice principal. Dans les vannes à actionnement direct, elle peut être de 0 bar, tandis que dans vannes servo-assistées, elle doit toujours être > 0 bar.

Contre-pression

La contre-pression est la pression de sortie qui fonctionne dans le sens opposé au débit souhaité. Souvent, il est généré en raison de coudes ou d'étranglement des tuyaux placés à la sortie de la vanne, réduisant ainsi le débit.

Les électrovannes à 2 voies ne permettent pas que la pression de sortie (ou la contre-pression) soit supérieure à la pression d'entrée.

Chaque fois que cette situation se produit, il est recommandé d'utiliser des clapets anti-retour pour éviter la contre-pression sur le circuit en amont de la vanne.

Pression maximale admissible (PS)

La pression maximale admissible (PS) est la pression maximale que la vanne peut supporter avant d'endommager les composants internes et/ou de présenter des fuites externes.
Elle n'a aucun rapport avec la MOPD tant qu'elle doit être supérieure ou en tout cas égale à la pression d'entrée.

ES

Presión diferencial Δp

Presión diferencial (caída de presión o pérdida de carga) significa la diferencia de presiones entre la salida y la entrada de la válvula.
El símbolo es Δp .

Presión diferencial de Ejercicio (OPD)

El rendimiento de las electroválvulas se mide con la diferencia de presión máxima y mínima entre la entrada y la salida de la válvula. El OPD máximo y mínimo siempre se indica para cada modelo de válvula.

Por MOPD (Máxima Presión Diferencial de Ejercicio) se entiende el Δp máxima de trabajo que la válvula debe vencer para permitir el plazo del flujo. Con el mismo orificio, pero según la tensión de alimentación AC o DC, el valor de MOPD puede ser diferente.

Por mOPD (mínima Presión Diferencial de Ejercicio) se entiende el Δp mínimo de trabajo para permitir la apertura o el cierre del orificio principal. En la electroválvula de accionamiento directo puede ser igual a 0, mientras que en las válvulas servoaccionadas debe ser siempre > 0 bar.

Contrapresión

La contrapresión es la presión de salida que trabaja en dirección opuesta al flujo deseado. Muchas veces se genera por dobleces o curvas en las tuberías colocadas a la salida de la válvula, reduciendo así el caudal.

Las electroválvulas de 2 vías no permiten que la presión de salida (o contrapresión) sea mayor que la presión de entrada. En caso de presentarse esta situación, se recomienda utilizar válvulas de retención para evitar que la contrapresión invada el circuito de la entrada.

Máxima presión admisible (PS)

La máxima presión admisible (PS) es la presión máxima que puede soportar la válvula antes de sufrir daños en los componentes internos y/o tener fugas al exterior. No tiene relación con la MOPD siempre que sea mayor o en todo caso igual a la presión de entrada.

PT

Pressão diferencial Δp

Por pressão diferencial (ou queda de pressão ou perda de carga) entende-se a diferença de pressões entre a entrada e a saída da válvula.
Seu símbolo é Δp .

Pressão Diferencial de Operação (OPD)

O desempenho das eletroválvulas é medido pela diferença de pressão máxima e mínima entre a entrada e a saída da válvula.
Cada modelo de válvula sempre traz indicadas a máxima e a mínima OPD.

Por MOPD (Máxima Pressão Diferencial de Operação) se entende o Δp máximo de trabalho que a válvula deve vencer para permitir a passagem do fluxo. Mesmo com o mesmo orifício, dependendo da tensão de alimentação CA ou CC, os valores de MOPD podem ser diferentes.

Por mOPD (mínima Pressão Diferencial de Operação) entende-se o Δp mínimo de trabalho para permitir a abertura ou fechamento do orifício principal. Em válvulas operadas diretamente pode ser igual a 0 bar, enquanto em válvulas servo operadas deve ser sempre > 0 bar.

Contrapressão

A contrapressão é a pressão de saída que trabalha no sentido oposto ao fluxo desejado. Muitas vezes é gerado por a torções ou dobras nos tubos colocados na saída da válvula, reduzindo assim o fluxo.

As eletroválvulas de 2 vias não consentem que a pressão de saída (ou contrapressão) seja maior que a pressão de entrada.

Caso esta situação ocorra, recomenda-se a utilização de válvulas de retenção para evitar que a contrapressão invada o circuito da válvula no sentido oposto.

Máxima pressão admissível (PS)

A máxima pressão admissível (PS) é a pressão máxima que a válvula pode suportar antes de ocorrerem danos aos componentes internos e/ou ocorrerem vazamentos. A PS não tem relação com o MOPD, desde que seja maior ou, de qualquer modo, igual à pressão de entrada.



Coefficients di portata Kv e Cv	IT	Kv and Cv flow coefficients	GB	Durchflusskoeffizienten Kv und Cv	DE
<p>Ogni elettrovalvola ha un coefficiente di portata Kv o Cv che varia in funzione della tipologia e del diametro dell'orifizio. Il coefficiente di portata Kv, che utilizza le unità di misura del sistema metrico, definisce il flusso di acqua che attraversa l'elettrovalvola con una pressione differenziale di 1 bar ad una temperatura compresa tra 5°C e 40°C e viene determinato come indicato dalle norme VDE 2173. Viene espresso in: m³/h o l/min.</p> <p>Il coefficiente di portata Cv invece, utilizza le unità di misura del sistema anglosassone e definisce il flusso di acqua che attraversa l'elettrovalvola a 60°F con una pressione differenziale di 1 psi. Viene espresso in US gpm (galloni USA al minuto).</p> <p>I due valori non possono essere equiparati, ma esistono formule di conversione:</p> <p>$Kv = 0.857 * Cv$ $Cv = 1.165 * Kv$</p> <p>Conoscendo il tipo di fluido, la pressione di lavoro e la perdita di carico accettabile, il coefficiente di portata Kv o Cv permette di calcolare la portata che attraversa l'elettrovalvola ed il relativo dimensionamento per il corretto utilizzo nell'applicazione.</p>	<p>Each solenoid valve has a Kv or Cv flow rate coefficient which varies according to the type and the orifice diameter. The flow rate coefficient Kv, which use the metric system units of measurement, defines the flow of water that crosses the solenoid valve with a differential pressure of 1 bar at a temperature between 5°C and 40°C and is determined as indicated by VDE 2173 standards.</p> <p>It is expressed in: m³/h or l/min.</p> <p>The flow rate coefficient Cv uses the units of measurement of the Anglo-Saxon system and defines the flow of water that cross the solenoid valve at 60°F with a differential pressure of 1 psi.</p> <p>It is expressed in US gpm (US gallons per minute).</p> <p>The two values cannot be compared, but there are conversion formulas:</p> <p>$Kv = 0.857 * Cv$ $Cv = 1.165 * Kv$</p> <p>Knowing the type of fluid, the working pressure and the acceptable pressure drop, the Kv or Cv flow rate coefficient allows to calculate the flow rate that crosses the solenoid valve and the relative size for the proper use in the application.</p>	<p>Jedes Magnetventil hat einen Durchflusskoeffizienten Kv oder Cv, der je nach Typ und Öffnungsdurchmesser variiert. Der Durchflusskoeffizient Kv, der die Maßeinheiten des metrischen Systems verwendet, definiert den Wasserdurchfluss, der bei einem Differenzdruck von 1 bar bei einer Temperatur zwischen 5°C und 40°C durch das Magnetventil fließt und wird gemäß der Norm VDE 2173 bestimmt.</p> <p>Er wird ausgedrückt in: m³/h oder l/min.</p> <p>Der Durchflusskoeffizient Cv verwendet die Maßeinheiten des angelsächsischen Systems und definiert den Wasserdurchfluss, der das Magnetventil bei 60°F und einem Differenzdruck von 1 psi.</p> <p>Er wird in US gpm (US-Gallonen pro Minute) angegeben.</p> <p>Die beiden Werte können nicht miteinander verglichen werden, aber es gibt Umrechnungsformeln:</p> <p>$Kv = 0.857 * Cv$ $Cv = 1.165 * Kv$</p> <p>Wenn man die Art der Flüssigkeit, den Arbeitsdruck und den zulässigen Druckabfall kennt, kann man mit dem Durchflusskoeffizienten Kv oder Cv den Durchfluss berechnen, der durch das Magnetventil fließt, und die entsprechende Größe für den richtigen Einsatz in der Anwendung bestimmen.</p>			
<p>Coefficients de débit Kv et Cv <td data-bbox="603 831 1061 1444"> <p>Coefficientes de caudal Kv y Cv <td data-bbox="1061 831 1519 1444"> <p>Coefficientes de fluxo Kv e Cv </p></td></p></td></p>	<p>Coefficientes de caudal Kv y Cv <td data-bbox="1061 831 1519 1444"> <p>Coefficientes de fluxo Kv e Cv </p></td></p>	<p>Coefficientes de fluxo Kv e Cv </p>			



IT	GB	DE
<p>Viscosità</p> <p>La viscosità di un fluido è la grandezza fisica che misura la resistenza del fluido allo scorrimento. Essa influisce notevolmente sulla portata e sulla MOPD della valvola. Per ogni diametro valvola presente nelle tabelle del catalogo viene indicata la viscosità massima consigliata, espressa in cSt (centiStokes).</p> <p>L'utilizzo di fluidi con valori di viscosità più elevati potrebbe comportare la riduzione delle prestazioni e l'occlusione degli orifizi delle valvole.</p>	<p>Viscosity</p> <p>The viscosity of a fluid is the physical magnitude that measures the resistance to flow opposed by a fluid. The viscosity heavily influences the valve's flow rate and MOPD. The maximum recommended viscosity, expressed in cSt (centiStokes), is indicated for each valve diameter in the catalog tables.</p> <p>The use of fluids with higher viscosity values could lead to reduce performances and occlusion of the valves orifices.</p>	<p>Viskosität</p> <p>Die Viskosität einer Flüssigkeit ist die physikalische Größe, die den Durchflusswiderstand einer Flüssigkeit misst. Die Viskosität hat großen Einfluss auf die Durchflussmenge und den MOPD des Ventils. Die maximal empfohlene Viskosität, ausgedrückt in cSt (centiStokes), ist für jeden Ventildurchmesser in den Katalogtabellen angegeben. Die Verwendung von Flüssigkeiten mit höheren Viskositätswerten kann zu Leistungseinbußen und Verstopfung der Ventilöffnungen führen.</p>

FR	ES	PT
<p>Viscosité</p> <p>La viscosité d'un fluide est la grandeur physique qui mesure la résistance du fluide à l'écoulement.</p> <p>La viscosité influence fortement le débit et le MOPD de la vanne. La viscosité maximale recommandée, exprimée en cSt (centiStokes), est indiquée pour chaque diamètre de passage dans les tableaux du catalogue l'utilisation de fluides avec des valeurs de viscosité plus élevées pourrait entraîner une diminution des performances et l'obturation des orifices des vannes.</p>	<p>Viscosidad</p> <p>La viscosidad de un fluido es la cantidad física que mide la resistencia del fluido al circular. Afecta considerablemente en el caudal y en el MOPD de la válvula. Para cada diámetro de válvula presente en las tablas del catálogo se indica la viscosidad máxima recomendada, expresada en cSt (centiStokes).</p> <p>El uso de fluidos con una viscosidad más alta, puede dar el resultado de una disminución del rendimiento y la obstrucción de los orificios de la válvula.</p>	<p>Viscosidade</p> <p>A viscosidade de um fluido é a grandeza física que mede a resistência do fluido ao seu escoamento. Isto influi notavelmente na vazão e na MOPD da válvula. Para cada diâmetro válvula presente nas tabelas do catálogo está indicada a viscosidade máxima aconselhada, expressa em cSt (centiStokes).</p> <p>A utilização dos fluidos com valores de viscosidade mais elevadas pode causar a redução das performances e obstrução dos orifícios da válvulas.</p>

Viscosità cinematica Kinematics viscosity Kinematische Viskosität Viscosité cinématique Viscosidad cinemática Viscosidade cinemática	Engler	Viscosità cinematica Kinematics viscosity Kinematische Viskosität Viscosité cinématique Viscosidad cinemática Viscosidade cinemática	Engler
centiStokes – cSt = mm ² /s	°E	centiStokes – cSt = mm ² /s	°E
1	1.00	30	4.08
3	1.22	37	4.97
4	1.31	40	5.35
5	1.40	50	6.65
7	1.57	53	7.04
10	1.83	60	7.92
12	2.02	70	9.24
15	2.30	80	10.56
20	2.88	90	11.88
25	3.44	100	13.20

CALCOLO DELLA PORTATA

FLOW CALCULATION
 DURCHFLOSSBERECHNUNG
 CALCUL DE FLUX
 CÁLCULO DEL FLUJO
 CÁLCULO DO VAZÃO

Simboli Symbols Symbole Symboles Símbolos Símbolos	Unità di misura Units of measure Maßeinheit Unités de mesure Unidades de medida Unidades de medida	Descrizione Description Beschreibung Description Descripción Descrição
Kv	m ³ /h	Coefficiente di portata - Flow rate coefficient - Durchflusskoeffizient Coefficient de débit - Coeficiente de caudal - Coeficiente de vazão
Q	m ³ /h	Portata - Flow rate - Strömungsgeschwindigkeit Débit - Caudal - Vazão
Q_n	Nm ³ /h	Portata normale (20°C, 760mm Hg) - Normal flow (20°C, 760mm Hg) - Normaler Durchfluss (20°C, 760mm Hg) Débit normal (20°C, 760mm Hg) - Caudal normal (20°C, 760mm Hg) - Vazão normal (20°C, 760mm Hg)
P₁	bar	Pressione assoluta in ingresso (Pr + 1 bar) - Absolute inlet pressure (Pr + 1 bar) - Absoluter Eingangsdruck (Pr + 1 bar) Pression absolue d'entrée (Pr + 1 bar) - Presión absoluta de entrada (Pr + 1 bar) - Pressão absoluta de entrada (Pr + 1 bar)
P₂	bar	Pressione assoluta in uscita (Pr + 1 bar) - Absolute outlet pressure (Pr + 1 bar) - Absoluter Ausgangsdruck (Pr + 1 bar) Pression absolue en sortie (Pr + 1 bar) - Presión absoluta de salida (Pr + 1 bar) - Pressão absoluta de saída (Pr + 1 bar)
Δp	bar	Caduta di pressione (P ₁ - P ₂) - Pressure drop (P ₁ - P ₂) - Druckabfall (P ₁ - P ₂) Chute de pression (P ₁ - P ₂) - Caída de presión (P ₁ - P ₂) - Queda de pressão (P ₁ - P ₂)
ρ	Kg/dm ³	Densità relativa rispetto all'acqua (= 1) - Relative density to water (= 1) - Relative Dichte zu Wasser (= 1) Densité relative à l'eau (= 1) - Densidad relativa respecto al agua (= 1) - Densidade relativa comparada à água (= 1)
ρ_n	Kg/dm ³	Densità normale rispetto all'aria - Normal density to air - Normale Dichte zu Luft Densité relative à l'air - Densidad normal respecto al aire - Densidade normal com relação ao ar
G	Kg/h	Massa - Mass - Masse Masse - Masa - Massa
T	°C	Temperatura fluido in ingresso - Inlet fluid temperature - Temperatur der Einlassflüssigkeit Température du fluide d'entrée - Temperatura de entrada del fluido - Temperatura de entrada do fluido
V₁	m ³ /Kg	Volume specifico in ingresso - Specific inlet volume - Spezifisches Eingangsvolumen Volume d'entrée spécifique - Volumen específico de entrada - Volume específico de entrada
V₂	m ³ /Kg	Volume specifico in uscita - Specific outlet volume - Spezifisches Auslassvolumen Volume spécifique en sortie - Volumen específico de salida - Volume específico de saída

Fluidi Fluids Flüssigkeiten Fluides Fluidos Fluidos	Formule Formulas Formeln Formules Fórmulas Fórmulas
Liquidi Liquids Flüssigkeiten Liquides Líquidos Líquidos	$Q = Kv * \sqrt{\frac{\Delta p}{\rho}}$
Gas Gases Gas Gaz Gas Gases	$\Delta p < \frac{P_1}{2} \rightarrow Q_n = 514 * Kv * \sqrt{\frac{\Delta p * P_2}{\rho_n * (273+T)}}$ $\Delta p > \frac{P_1}{2} \rightarrow Q_n = 257 * Kv * \sqrt{\frac{P_1}{\rho_n * (273+T)}}$
Aria Air Luft Air Aire Ar	$\Delta p < \frac{P_1}{2} \rightarrow Q_n = 26 * Kv * \sqrt{\Delta p * P_2}$ $\Delta p > \frac{P_1}{2} \rightarrow Q_n = Kv * P_1 * 13$
Vapore Steam Dampf Vapeur Vapor Vapor	$\Delta p < \frac{P_1}{2} \rightarrow G = 31.6 * Kv * \sqrt{\frac{\Delta p}{V_2}}$ $\Delta p > \frac{P_1}{2} \rightarrow G = 31.6 * Kv * \sqrt{\frac{P_1}{V_1}}$



Grado di protezione IP	IT	IP protection class	GB	IP Schutzgrad	DE
La norma CEI EN 60529/1997 (ex CEI 70-1) classifica i gradi di protezione degli involucri per apparecchiature elettriche. Il grado IP nel caso delle elettrovalvole viene indicato con due cifre caratteristiche.		The CEI EN 60529/1997 (formerly CEI 70-1) standard classifies the protection degrees of enclosures for electrical equipments. The IP degree for the solenoid valves is indicated with two digits.		Die Norm CEI EN 60529/1997 (früher CEI 70-1) klassifiziert die Schutzarten von Gehäusen für elektrische Geräte. Der IP-Grad für die Magnetventile wird mit zwei Ziffern angegeben.	
Degré de protection IP	FR	Grado de protección IP	ES	Grau de proteção IP	PT
La norme CEI EN 60529/1997 (anciennement CEI 70-1) classe les degrés de protection des enveloppes pour les équipements électriques. Le degré IP des bobines pour les électro vanes est indiqué par deux chiffres.		La norma CEI EN 60529/1997 (ex CEI 70-1) clasifica los grados de protección de envoltorios de equipos eléctricos. El grado IP viene indicado con dos dígitos.		A norma CEI EN 60529/1997 (ex CEI 70-1) classifica os graus de proteção dos invólucros para equipamentos elétricos. O grau IP no caso das eletrovalvulas é indicado por dois algarismos característicos.	

Corpi solidi - Solid bodies - Feste Körper - Corps solides - Cuerpos sólidos - Corpos sólidos

IP (1 st Digit)	Descrizione - Description - Beschreibung - Description - Descripción - Descrição
0	Nessuna protezione - No protection - kein Schutz Pas de protection - Ninguna protección - Nenhuma proteção
1	Protezione da corpi solidi > Ø 50 mm - Protection from solid bodies > Ø 50 mm - Schutz vor festen Körpern > Ø 50 mm Protection contre les corps solides > Ø 50 mm - Protección de cuerpo sólido > Ø 50 mm - Proteção contra corpos sólidos > Ø 50 mm
2	Protezione da corpi solidi > Ø 12 mm - Protection from solid bodies > Ø 12 mm - Schutz vor festen Körpern > Ø 12 mm Protection contre les corps solides > Ø 12 mm - Protección de cuerpo sólido > Ø 12 mm - Proteção contra corpos sólidos > Ø 12 mm
3	Protezione da corpi solidi > Ø 2.5 mm - Protection from solid bodies > Ø 2.5 mm - Schutz vor festen Körpern > Ø 2.5 mm Protection contre les corps solides > Ø 2.5 mm - Protección de cuerpo sólido > Ø 2.5 mm - Proteção contra corpos sólidos > Ø 2.5 mm
4	Protezione da corpi solidi > Ø 1 mm - Protection from solid bodies > Ø 1 mm - Schutz vor festen Körpern > Ø 1 mm Protection contre les corps solides > Ø 1 mm - Protección de cuerpo sólido > Ø 1 mm - Proteção contra corpos sólidos > Ø 1 mm
5	Protetto contro le polveri (nessun deposito nocivo) - Protected against dusts (no harmful deposit) - Geschützt gegen Stäube (keine schädlichen Ablagerungen) Protégé contre la poussière (pas de dépôts nocifs) - Protegido contra el polvo (ningún depósito nocivo) - Protegido contra póis (nenhum depósito nocivo)
6	Totalmente protetto contro le polveri - Fully protected against dusts - Vollständig geschützt gegen Stäube Totalment protégé contre les poussières - Totalmente protegido contra el polvo - Totalmente protegido contra póis

Corpi liquidi - Liquid bodies - Flüssige Körper - Corps liquides - Cuerpos líquidos - Corpos líquidos

IP (2 nd Digit)	Descrizione - Description - Beschreibung - Description - Descripción - Descrição
0	Nessuna protezione - No protection Kein Schutz - Pas de protection Ninguna protección - Nenhuma proteção
1	Protezione contro le cadute verticali di gocce d'acqua - Protection against vertical falls of water drops Schutz gegen senkrecht Herabfallen von Wassertropfen - Protection contre les chutes verticales de gouttes d'eau Protección contra caídas verticales de gotas de agua - Proteção contra queda vertical de gotas d'água
2	Protezione contro le cadute di gocce d'acqua o pioggia fino a 15° dalla verticale - Protection against falling drops of water or rain up to 15° from the vertical Schutz gegen fallende Wassertropfen oder Regen bis zu einem Winkel von 15° zur Senkrechten - Protection contre les chutes de gouttes d'eau ou de pluie jusqu'à 15° de la verticale Protección contra la caída de gotas de agua o lluvia hasta 15° de la vertical - Proteção contra as quedas de gotas d'água ou chuva até 15° da vertical
3	Protezione contro le cadute di gocce d'acqua o pioggia fino a 60° dalla verticale - Protection against falling drops of water or rain up to 60° from the vertical Schutz gegen fallende Wassertropfen oder Regen bis zu einem Winkel von 60° zur Senkrechten - Protection contre les chutes de gouttes d'eau ou de pluie jusqu'à 60° de la verticale Protección contra la caída de gotas de agua o lluvia hasta 60° de la vertical - Proteção contra as quedas de gotas d'água ou chuva até 60° da vertical
4	Protezione contro gli spruzzi d'acqua da tutte le direzioni - Protection against water splashes from all directions Schutz vor Wasserspritzern aus allen Richtungen - Protection contre les projections d'eau de toutes directions Protección contra salpicaduras de agua en todas la direcciones - Proteção contra espirros d'água de todas as direções
5	Protezione contro i getti d'acqua - Protection against water jets Schutz gegen Strahlwasser - Protection contre les jets d'eau Protección contra chorros de agua - Proteção contra os jatos d'água
6	Protezione contro i getti d'acqua potenti - Protection against powerful jets of water Schutz gegen starkes Strahlwasser - Protection contre les jets d'eau puissants Protección contra potentes chorros de agua - Proteção contra jatos d'água potentes
7	Protezione contro gli effetti delle immersioni temporanee - Protection against the effects of temporary diving Schutz vor den Auswirkungen des zeitweiligen Eintauchen - Protection contre les effets de la plongée temporaire Protección contra los efectos de la inmersión temporal - Proteção contra os efeitos de imersões temporárias
8	Protezione contro gli effetti delle immersioni continue - Protection against the effects of continuous diving Schutz vor den Auswirkungen des dauernden Untertauchens - Protection contre les effets de la plongée continue Protección contra los efectos de la inmersión continua - Proteção contra os efeitos de imersões contínuas



Potenza delle bobine IT	Coils power GB	Leistung der Spulen DE
<p>La potenza, o assorbimento elettrico, indicata per ogni bobina si considera alla temperatura ambiente di 20°C ed alla tensione nominale, e si esprime in:</p> <ul style="list-style-type: none"> - Watt (W), per alimentazioni in Corrente Continua (CC); nelle bobine alimentate in CC la potenza attiva rimane costante sia nella fase di spunto che a corsa del nucleo mobile completata. - VoltAmpere (VA), per alimentazioni in Corrente Alternata (AC); nelle bobine alimentate in AC viene indicata la sola potenza apparente a regime (ossia quando il nucleo mobile completa la corsa); va considerato che la potenza apparente in fase di spunto (ossia al momento dell'inserzione elettrica) è sempre superiore rispetto a quella a regime. $P (W \text{ o } VA) = V (\text{Volt}) \times I (\text{Ampere}) = \frac{V^2 (\text{Volt})}{R (\text{Ohm } \Omega)}$ <p>La potenza può essere espressa in Watt anche in caso di alimentazione in Corrente Alternata; in questo caso esiste uno sfasamento tra tensione e corrente indicato come fattore di potenza o cos φ (Phi). Questo valore può variare tra 0 e 1.</p> $P (W) = V (\text{Volt}) \times I (\text{Ampere}) \times \cos \varphi$	<p>The power, or electrical absorption, indicated for each coil it's registered at the ambient temperature of 20°C and at the nominal voltage, and is expressed in:</p> <ul style="list-style-type: none"> - Watt (W), for Direct Current (DC) power supplies; in the DC-powered coils, the active power remains constant both during the inrush phase and when the mobile plunger stroke cycle is completed. - VoltAmpere (VA), for Alternating Current (AC) power supplies; in the AC-powered coils only the apparent power it's indicated in the holding state (when the mobile plunger has completed its stroke cycle); it must be considered that the apparent power during the inrush phase (at the electrical insertion) is always higher than the holding state. $P (W \text{ or } VA) = V (\text{Volt}) \times I (\text{Ampere}) = \frac{V^2 (\text{Volt})}{R (\text{Ohm } \Omega)}$ <p>The power can be expressed in Watts even in the case of AC power supply; in this case there is a displacement between voltage and current indicated as power factor or cos φ (Phi). This value can vary between 0 and 1.</p> $P (W) = V (\text{Volt}) \times I (\text{Ampere}) \times \cos \varphi$	<p>Die für jede Spule angegebene Leistung bzw. elektrische Absorption wird bei einer Umgebungstemperatur von 20°C und der Nennspannung betrachtet und ausgedrückt in:</p> <ul style="list-style-type: none"> - Watt (W), für Gleichstromversorgungen (DC); bei gleichstromgespeisten Spulen bleibt die Wirkleistung sowohl während der Einschaltphase als auch nach Beendigung des Hubes des beweglichen Ankers konstant. - VoltAmpere (VA), für Wechselstrom (AC)-Stromversorgungen; bei wechsellstromgespeisten Spulen bleibt die Scheinleistung im Haltezustand angegeben (wenn der bewegliche Stößel seinen Hub beendet); Es ist zu beachten, dass die Scheinleistung während der Einschaltphase (beim elektrischen Einschalten) immer höher ist als im Haltezustand. $P (W \text{ oder } VA) = V (\text{Volt}) \times I (\text{Ampere}) = \frac{V^2 (\text{Volt})}{R (\text{Ohm } \Omega)}$ <p>Die Leistung kann in Watt ausgedrückt werden, auch bei Wechselstromversorgung, in diesem Fall gibt es einen Phasenwinkel zwischen Spannung und Strom, der als Leistungsfaktor oder cos φ (Phi) angegeben wird. Dieser Wert kann zwischen 0 und 1 variieren.</p> $P (W) = V (\text{Volt}) \times I (\text{Ampere}) \times \cos \varphi$

Puissance des bobines FR	Potencia de la bobina ES	Potência das bobinas PT
<p>La puissance, ou absorption électrique, notifiée pour chaque bobine est considérée à la température ambiante de 20°C et à la tension nominale, et s'exprime en:</p> <ul style="list-style-type: none"> - Watt (W), pour les alimentations en courant continu (DC); dans les bobines alimentées en courant continu, la puissance active reste constante à la fois pendant la phase d'appel et lors de la phase de maintien du pilote. - Voltampère (VA), pour l'alimentation en courant alternatif (AC) dans les bobines alimentées en courant alternatif, seule la puissance apparente à l'état de maintien est indiquée (lorsque le noyau mobile termine sa course); il faut considérer que la puissance apparente pendant la phase d'appel (démarrage) est toujours supérieure à l'état de maintien. $P (W \text{ ou } VA) = V (\text{Volt}) \times I (\text{Ampere}) = \frac{V^2 (\text{Volt})}{R (\text{Ohm } \Omega)}$ <p>La puissance peut être exprimée en Watts même en cas de courant alternatif; dans ce cas il y a un angle de phase entre tension et courant indiqués comme facteur de puissance ou cos φ (Phi). Cette valeur peut varier entre 0 et 1.</p> $P (W) = V (\text{Volt}) \times I (\text{Ampere}) \times \cos \varphi$	<p>La potencia, o absorción eléctrica, indicada para cada bobina se considera a una temperatura ambiente de 20°C y a la tensión nominal y se expresa en:</p> <ul style="list-style-type: none"> - Vatio (W), para alimentación en corriente continua (CC); en las bobinas alimentadas en corriente continua la potencia activa permanece constante durante la fase de irrupción y cuando la carrera del émbolo móvil está completada. - Voltampere (VA), para alimentación en corriente alterna (CA); en bobinas alimentadas con corriente alterna solo se indica la potencia aparente en modo estacionario (es decir, cuando el núcleo móvil completa la carrera); se debe considerar que la potencia aparente en la fase de arranque (es decir, en el momento de inserción eléctrica) es siempre mayor que cuando esté en pleno funcionamiento. $P (W \text{ o } VA) = V (\text{Volt}) \times I (\text{Ampere}) = \frac{V^2 (\text{Volt})}{R (\text{Ohm } \Omega)}$ <p>La potencia puede ser expresada en vatios en caso de alimentación en corriente alterna; en este caso existe un cambio de fase entre el voltaje y la corriente indicado como factor de potencia o cos φ (Phi). Este valor puede variar entre 0 y 1.</p> $P (W) = V (\text{Volt}) \times I (\text{Ampere}) \times \cos \varphi$	<p>A potência, ou absorção elétrica, indicada por cada bobina é considerada à temperatura ambiente de 20°C e à tensão nominal. E é expressa em:</p> <ul style="list-style-type: none"> - Watt (W), para Corrente Contínua (CC); nas bobinas alimentadas em CC a potência ativa permanece constante, seja na fase de início ou quando o curso do núcleo móvel estiver concluído. - VoltAmpere (VA), para Corrente Alternada (AC); nas bobinas alimentadas em AC é indicada somente a potência aparente em regime (ou seja, quando o núcleo móvel completa o curso); considera-se que a potência aparente na fase de início (ou seja no momento do acionamento elétrico) é sempre superior com relação àquela de regime. $P (W \text{ ou } VA) = V (\text{Volt}) \times I (\text{Ampere}) = \frac{V^2 (\text{Volt})}{R (\text{Ohm } \Omega)}$ <p>A potência pode ser expressa em Watt também caso tenha alimentação em Corrente Alternada; neste caso existe uma diferença de fase entre tensão e corrente, indicada como fator de potência ou cos φ (Phi). Este valor pode variar entre 0 e 1.</p> $P (W) = V (\text{Volt}) \times I (\text{Ampere}) \times \cos \varphi$



Temperatura ambiente IT	Ambient temperature GB	Umgebungstemperatur DE
<p>La temperatura ambiente minima e massima determina i limiti di sicurezza dettati dalla classe di isolamento della bobina. Essa dipende dai materiali dell'avvolgimento e dell'incapsulamento della bobina e viene definita dalle Direttive del settore.</p>	<p>The minimum and maximum ambient temperature determines the safety limits dictated by the insulation class of the coil. It depends on the materials of the winding and encapsulation of the coil and is defined by the sector's directives.</p>	<p>Die minimale und maximale Umgebungstemperatur bestimmt die Sicherheitsgrenzen, die durch die Isolationsklasse der Spule festgelegt sind. Sie hängt von den Materialien der Wicklung und der Verkapselung der Spule ab und wird durch die Regeln des Sektors definiert.</p>
Température ambiante FR	Temperatura ambiente ES	Temperatura ambiente PT
<p>La température ambiante minimale et maximale détermine les limites de sécurité déterminées par la classe d'isolation de la bobine. Cela dépend des matériaux de surmoulage de la bobine et est défini par les directives en vigueur.</p>	<p>La temperatura ambiente mínima y máxima determina el límite de seguridad dictados por la clase de aislamiento de la bobina. Depende de los materiales de bobinado y de la encapsulación de la bobina y se define por directivas de la industria.</p>	<p>A temperatura ambiente mínima e máxima determina os limites de segurança infomados pela classe de isolamento da bobina. Esta depende dos materiais do isolamento e do encapsulamento da bobina e é definida pelas Diretivas do setor.</p>



Servizio continuo (ED) IT	Continuous Service (ED) GB	Dauerbetrieb (ED) DE
<p>Il "Servizio Continuo (ED)" è inteso come il tempo massimo di inserzione elettrica tollerato dalla bobina rispetto alla costante di tempo termica della bobina stessa.</p> <p>Bobine in Servizio Continuo si indicano con la sigla ED100%, mentre i servizi non continui (ad es.: ED50%) sono intervallati da tempi di inserzione elettrica e tempi di riposo.</p> <p>L'ED si calcola con la seguente formula:</p> $ED = \frac{\text{tempo di inserzione}}{\text{tempo di inserzione} + \text{tempo di riposo}} \times 100$ <p>Esempio:</p> $ED = \frac{10'}{10' + 10'} \times 100 = ED 50\%$ <p>Per servizi non continui è possibile utilizzare bobine con potenze più elevate rispetto alle standard oppure impiegare bobine con temperature ambiente più elevate di quelle indicate.</p>	<p>The "Continuous Service (ED)" is intended as the maximum electrical insertion time tolerated by the coil compared to the thermal time constant of the coil.</p> <p>Coils in Continuous Service are identified with ED100%, while for non-continuous service coils (e.g.: ED50%) it is necessary to intersperse electrical insertion times and rest times.</p> <p>The ED is calculated with the following formula:</p> $ED = \frac{\text{insertion time}}{\text{insertion time} + \text{rest time}} \times 100$ <p>Example: $ED = \frac{10'}{10' + 10'} \times 100 = ED 50\%$</p> <p>For non-continuous services it is possible to use coils with higher powers than the standard ones or to use coils with ambient temperatures higher than the indicated ones.</p>	<p>Unter "Dauerbetrieb (ED)" versteht man die maximale elektrische Einschaltdauer, die die Spule im Vergleich zur thermischen Zeitkonstante der Spule verträgt.</p> <p>Spulen im Dauerbetrieb werden mit ED100% gekennzeichnet, während bei nicht kontinuierlichem Betrieb (z.B.: ED50%) elektrische Einschaltzeiten und Ruhezeiten unterbrochen werden müssen.</p> <p>Die ED wird mit der folgenden Formel berechnet:</p> $ED = \frac{\text{Zeit für das Insetat}}{\text{Zeit für das Insetat} + \text{Ruhezeit}} \times 100$ <p>Beispiel: $ED = \frac{10'}{10' + 10'} \times 100 = ED 50\%$</p> <p>Für den nicht kontinuierlichen Betrieb ist es möglich, Spulen mit höheren Leistungen als die Standardspulen oder Spulen mit höheren Umgebungstemperaturen als den angegebenen zu verwenden.</p>

Service continu (ED) FR	Servicio continuo (ED) ES	Serviço contínuo (ED) PT
<p>Le "Service continu (ED)" correspond au temps maximum sous tension électrique toléré par la bobine par rapport à la constante de temps thermique de la bobine.</p> <p>Les bobines en service continu sont identifiées avec ED100%, tandis que pour les services non continus (ex.: ED50%) il doit être nécessaire entre-couper les temps sous tension électrique et les temps de repos.</p> <p>L'ED est calculé avec la formule suivante:</p> $ED = \frac{\text{temps d'insertion}}{\text{temps d'insertion} + \text{temps de repos}} \times 100$ <p>Exemple: $ED = \frac{10'}{10' + 10'} \times 100 = ED 50\%$</p> <p>Pour les services non continus, il est possible d'utiliser des bobines avec des puissances plus élevées que les standards ou d'utiliser des bobines avec températures ambiantes supérieures à celles indiquées.</p>	<p>El "Servicio Continuo (ED)" es entendido como el tiempo de inserción eléctrica máxima tolerada por la bobina en comparación con el constante de tiempo térmico de la misma.</p> <p>Bobina en servicio continuo se indica con la sigla ED100% mientras que los servicios no continuos (por ejemplo: ED50%) se intercalan tiempos de inserción eléctrica y de reposo.</p> <p>La ED se calcula con la siguiente fórmula:</p> $ED = \frac{\text{tiempo de inserción}}{\text{tiempo de inserción} + \text{tiempo de reposo}} \times 100$ <p>Ejemplo: $ED = \frac{10'}{10' + 10'} \times 100 = ED 50\%$</p> <p>Para servicio no continuo es posible utilizar bobinas con potencias más elevadas respecto a las estándar o usar bobinas con la temperatura ambiente más altas de las indicadas.</p>	<p>O "Serviço Contínuo (ED)" é entendido como o tempo máximo de acionamento elétrico tolerado pela bobina com respeito à constante de tempo térmica da bobina. Bobina em Serviço Contínuo é indicada pela sigla ED100%, enquanto os serviços não contínuos (ex.: ED50%) possuem alternância entre tempos de acionamento elétrico e tempos de repouso.</p> <p>A ED é calculada com a seguinte fórmula:</p> $ED = \frac{\text{tempo de inserção}}{\text{tempo de inserção} + \text{tempo de repouso}} \times 100$ <p>Exemplo: $ED = \frac{10'}{10' + 10'} \times 100 = ED 50\%$</p> <p>Para serviços não contínuos é possível utilizar bobinas com potência mais elevadas com respeito às bobinas standard ou também empregar bobinas com temperaturas ambiente mais elevadas de que as indicadas.</p>



Classe di isolamento delle bobine IT	Coils insulation class GB	Isolationsklassen der Spulen DE
<p>La classe di isolamento identifica la temperatura massima dell'avvolgimento che ogni bobina può sostenere per garantire il normale funzionamento.</p> <p>Quando l'avvolgimento è percorso dalla corrente si riscalda a causa dell'effetto Joule; il riscaldamento varia in funzione del tempo durante il quale la bobina viene alimentata.</p> <p>Aignep utilizza bobine standard in classe H, che possono lavorare ad una temperatura dell'avvolgimento di +180°C.</p>	<p>The insulation class identifies the maximum winding temperature that each coil can withstand to ensure normal operation.</p> <p>When the winding is crossed by the current it heats up due to the Joule effect; the heating varies according to the time during which the coil is powered.</p> <p>Aignep uses standard class H coils, which can work at a winding temperature of +180°C.</p>	<p>Die Isolationsklasse gibt die maximale Wicklungstemperatur an, die jede Spule aushalten kann, um einen normalen Betrieb zu gewährleisten. Wenn die Wicklung vom Strom durchflossen wird, erwärmt sie sich aufgrund des Jouleschen Effekts; die Erwärmung variiert je nach der Zeit, in der die Spule mit Strom versorgt wird. Aignep verwendet standardmäßig Spulen der Klasse H, die bei einer Wicklungstemperatur von +180°C arbeiten können.</p>
Classe d'isolation de la bobine FR	Clase de aislamiento de la bobina ES	Classe de isolamento da bobina PT
<p>La classe d'isolation identifie la température maximale du bobinage que chaque bobine peut supporter pour assurer un fonctionnement normal.</p> <p>Lorsque le bobinage est traversé par le courant, il s'échauffe en raison de l'effet Joule; la température varie en fonction du temps pendant laquelle la bobine est alimentée.</p> <p>Aignep utilise des bobines standard de classe H, qui peuvent fonctionner à une température de bobinage de +180°C.</p>	<p>La clase de aislamiento identifica la temperatura máxima del bobinado que cada bobina puede soportar para garantizar un funcionamiento normal.</p> <p>Cuando el bobinado es recorrido por la corriente se calienta debido al efecto Joule; la temperatura varía en función del tiempo durante el cual mantenemos la bobina en funcionamiento.</p> <p>Aignep utiliza bobina estándar clase H que puede trabajar a una temperatura de +180°C.</p>	<p>A classe de isolamento identifica a temperatura máxima do enrolamento que cada bobina pode suportar para garantir a operação normal.</p> <p>Quando o enrolamento é percorrido pela corrente ele se aquece por causa do efeito Joule; o aquecimento varia em função do tempo que a bobina permanece energizada.</p> <p>A Aignep utiliza bobinas standard de classe H, que podem trabalhar a uma temperatura de enrolamento de +180°C.</p>

TABELLA DI CONVERSIONE DEI VALORI DI PRESSIONE

PRESSURE VALUE CONVERSION TABLE

UMRECHNUNGSTABELLE FÜR DIE DRUCKWERTE

TABLEAU DE CONVERSION DES VALEURS DE PRESSION

TABLA DE CONVERSIÓN DE LOS VALORES DE PRESIÓN

TABELA DE CONVERSÃO DOS VALORES DE PRESSÃO

Bar	Psi	MPa	mH ₂ O	Bar	Psi	Mpa	mH ₂ O
0.1	1.45	0.01	1.02	14	203.00	1.40	142.80
0.2	2.90	0.02	2.04	15	217.50	1.50	153.00
0.3	4.35	0.03	3.06	16	232.00	1.60	163.20
0.4	5.80	0.04	4.08	17	246.50	1.70	173.40
0.5	7.25	0.05	5.10	18	261.00	1.80	183.60
0.6	8.70	0.06	6.12	19	275.50	1.90	193.80
0.7	10.15	0.07	7.14	20	290.00	2.00	204.00
0.8	11.60	0.08	8.16	21	304.50	2.10	214.20
0.9	13.05	0.09	9.18	22	319.00	2.20	224.40
1	14.50	0.10	10.20	23	333.50	2.30	234.60
1.5	21.75	0.15	15.30	24	348.00	2.40	244.80
2	29.00	0.20	20.40	25	362.50	2.50	255.00
2.5	36.25	0.25	25.50	26	377.00	2.60	265.20
3	43.50	0.30	30.60	27	391.50	2.70	275.40
3.5	50.75	0.35	35.70	28	406.00	2.80	285.60
4	58.00	0.40	40.80	29	420.50	2.90	295.80
4.5	65.25	0.45	45.90	30	435.00	3.00	306.00
5	72.50	0.50	51.00	35	507.50	3.50	357.00
5.5	79.75	0.55	56.00	40	580.00	4.00	408.00
6	87.00	0.60	61.20	45	652.50	4.50	459.00
6.5	94.25	0.65	66.30	50	725.00	5.00	510.00
7	101.50	0.70	71.40	55	797.50	5.50	561.00
7.5	108.75	0.75	76.50	60	870.00	6.00	612.00
8	116.00	0.80	81.60	65	942.50	6.50	663.00
8.5	123.25	0.85	86.70	70	1015.00	7.00	714.00
9	130.50	0.90	91.80	75	1087.50	7.50	765.00
9.5	137.75	0.95	96.90	80	1160.00	8.00	816.00
10	145.00	1.00	102.00	85	1232.50	8.50	867.00
11	159.50	1.10	112.20	90	1305.00	9.00	918.00
12	174.00	1.20	122.40	95	1377.50	9.50	969.00
13	188.50	1.30	132.60	100	1450.00	10.00	1020.00

TABELLA DI CONVERSIONE DEI VALORI DI TEMPERATURA

TEMPERATURE VALUES CONVERSION TABLE
 UMRECHNUNGSTABELLE DER TEMPERATURWERTE
 TABLEAU DE CONVERSION DES VALEURS DE TEMPERATURE
 TABLA DE CONVERSIÓN DE VALORES DE TEMPERATURE
 TABELA DE CONVERSÃO DE VALORES DE TEMPERATURA

°C	°F	K	°C	°F	K	°C	°F	K
-40	-40	233.15	40	104	313.15	140	284	413.15
-35	-31	238.15	45	113	318.15	150	302	423.15
-30	-22	243.15	50	122	323.15	160	320	433.15
-25	-13	248.15	55	131	328.15	170	338	443.15
-20	-4.0	253.15	60	140	333.15	180	356	453.15
-15	5.0	258.15	65	149	338.15	190	374	463.15
-10	14	263.15	70	158	343.15	200	392	473.15
-5	23	268.15	75	167	348.15	220	428	493.15
0	32	273.15	80	176	353.15	240	464	513.15
5	41	278.15	85	185	358.15	260	500	533.15
10	50	283.15	90	194	363.15	280	536	553.15
15	59	288.15	95	203	368.15	300	572	573.15
20	68	293.15	100	212	373.15	350	662	623.15
25	77	298.15	110	230	383.15	400	752	673.15
30	86	303.15	120	248	393.15	450	842	723.15
35	95	308.15	130	266	403.15	500	932	773.15

VAPORE: TABELLA DI CONVERSIONE PRESSIONE - TEMPERATURA

STEAM: PRESSURE - TEMPERATURE CONVERSION TABLE
 DAMPF: DRUCK-TEMPERATUR - UMRECHNUNGSTABELLE
 VAPEUR: TABLE DE CONVERSION PRESSION - TEMPÉRATURE
 VAPOR: PRESIÓN - TABLA DE CONVERSIÓN DE TEMPERATURA
 VAPOR: PRESSÃO - TABELA DE CONVERSÃO DE TEMPERATURA

Pressione relativa Relative pressure Relativdruck Pression relative Presión relative Pressão relative	Pressione assoluta Absolute pressure Absoluter Druck Pression absolue Presión absoluta Pressão absoluta	Temperatura Temperature Temperatur Température Temperatura Temperatura		Volume specifico Specific volume Spezifische Volumen Volume spécifique Volumen específico Volume específico
Bar (G)	Bar (A)	°C	°F	m ³ /Kg
0	1.013	100.0	212.0	1.673
0.1	1.113	102.6	216.7	1.533
0.2	1.213	106.2	223.2	1.414
0.3	1.313	107.4	225.3	1.312
0.5	1.513	111.6	232.9	1.149
0.7	1.713	115.4	239.7	1.024
1.0	2.013	120.4	248.7	0.881
1.5	2.513	127.6	261.7	0.714
2.0	3.013	133.7	272.7	0.603
2.5	3.513	139.0	282.2	0.522
3.0	4.013	143.7	290.7	0.461
3.5	4.513	148.0	298.4	0.413
4.0	5.013	152.0	305.6	0.374
4.5	5.513	155.5	311.9	0.342
5.0	6.013	158.9	318.0	0.315
6.0	7.013	165.0	329.0	0.272
7.0	8.013	170.5	338.9	0.240
8.0	9.013	175.4	347.7	0.215
9.0	10.013	180.0	356.0	0.194
10	11.013	184.1	363.4	0.177

TABELLA DI COMPATIBILITÀ CHIMICA

CHEMICAL COMPATIBILITY TABLE
 CHEMISCHE KOMPATIBILITÄTSTABELLE
 TABLEAU DE COMPATIBILITÉ CHIMIQUE
 TABLA DE COMPATIBILIDAD QUÍMICA
 TABELA DE COMPATIBILIDADE QUÍMICA

SCARICA LA TABELLA COMPLETA

DOWNLOAD THE COMPLETE TABLE
 LADEN SIE DIE KOMPLETTE TABELLE HERUNTER
 TÉLÉCHARGER LE TABLEAU COMPLET
 DESCARGAR LA TABLA COMPLETA
 BAIXE A TABELA COMPLETA



FLUIDS	BODY MATERIAL		SEALS		
	Brass	Stainless Steel AISI 316L	NBR	EPDM	FKM
Acetone - Acetone - Aceton - Acetone - Acétone - Acetone	●	●	●	●	●
Acetylene - Acetilene - Ethin - Acétylène - Acetileno - Acetileno	●	●	●	●	●
Argon	●	●	●	●	●
Benzene - Benzene - Benzol - Benzène - Benceno - Benzeno	●	●	●	●	●
Butane - Butano - n-Butan - Butane - Butano - Butano	●	●	●	●	●
Carbon dioxide dry (gas) - Anidride carbonica - Kohlendioxid trocken - dioxyde de carbone à sec - dióxido de carbono seco	●	●	●	●	●
Carbon dioxide dry (liquid) - Anidride carbonica - Kohlendioxid trocken - dioxyde de carbone à sec - dióxido de carbono seco	●	●	●	●	●
Carbon disulfide - Solfuro di carbonio - Kohlenstoffdisulfid - Disulfure de carbone - Sulfuro de carbono - Dissulfeto de carbono	●	●	●	●	●
Chloroform (100%) - Cloroformio - Chloroform - Chloroforme - Cloroformo - Clorofórmio	●	●	●	●	●
Diesel fuel	●	●	●	●	●
Helium - Elio - Helium - Hélium - Helio - Hélio	●	●	●	●	●
Ethane - Etano - Ethan - Éthane - Etano - Etano	●	●	●	●	●
Ethanol - Etanolo - Ethanol - Éthanol - Etanol - Etanol	●	●	●	●	●
Ethyl acetate - Acetato di etile - Essigsäureethylester - Acétate d'éthyle - Etanoato de etilo - Acetato de etila	●	●	●	●	●
Ethyl chloride - Cloruro di etile - Ethyl-Chlorid - Chlorure d'éthyle - Cloruro de etilo - Cloroto de etilo	●	●	●	●	●
Ethylene glycol - Glicole etilenico - Ethylenglykol - Éthylène glycol - Glicol de etileno - Etileno glicol	●	●	●	●	●
Formaldehyde (100%) - Formaldeide - Formaldehyd - Formaldéhyde - Formaldehído - Formaldeído	●	●	●	●	●
Freon	●	●	●	●	●
Glycerine - Glicerina - Glycerin - Glycérine - Glicerina - Glicerina	●	●	●	●	●
Heptane - Eptano - Heptan - Heptane - Heptano - Heptano	●	●	●	●	●
Hexane - Esano - Hexan - Hexane - Hexano - Hexano	●	●	●	●	●
Hydrogen - Idrogeno - Wasserstoff - Hydrogène - Hidrógeno - Hidrogénio	●	●	●	●	●
Hydrogen peroxide - Acqua Ossigenata - Wasserstoff-Peroxid - Peroxyde d'hydrogène - Peróxido de hidrógeno - Peróxido de hidrogênio	●	●	●	●	●
Isobutane - Isobutano - Isobutan - Isobutane - Isobutano - Isobutano	●	●	●	●	●
Isopentane - Isopentano - Isopentane - Isopentane - Isopentano - Isopentano	●	●	●	●	●
Methane - Metano - Methan - Méthane - Metano - Metano	●	●	●	●	●
Methanol - Metanolo - Methanol - Méthanol - Metanol - Metanol	●	●	●	●	●
Methyl chloride - Clorometano - Chlormethan - Chlorométhane - Clorometano - Clorometano	●	●	●	●	●
Mineral oil - Olio minerale - Mineralöl - Huile minérale - Aceite mineral - Óleo mineral	●	●	●	●	●
Neon	●	●	●	●	●
Nitrobenzene - Nitrobenzene - Nitrobenzol - Nitrobenzène - Nitrobenceno - Nitrobenzeno	●	●	●	●	●
Nitrogen - Azoto - Stickstoff - Azote - Nitrógeno - Nitrogénio	●	●	●	●	●
Oxygen - Ossigeno - Sauerstoff - Oxygène - Oxigeno - Oxigênio	●	●	●	●	●
Pentane - Pentano - Pentan - Pentane - Pentano - Pentano	●	●	●	●	●
Petrol - Benzina - Benzin - Essence - Gasolina - Gasolina	●	●	●	●	●
Propane (LPG) - Propano (GPL) - Propan (LPG) - Propane (GPL) - Propano (GPL) - Propano (GPL)	●	●	●	●	●
Propyl Alcohol - Alcool Propilico - Propyl-Alkohol - Alcool Propylique - Alcohol Propílico - Álcool propílico	●	●	●	●	●
Toluene - Toluene - Toluol - Toluène - Tolueno - Tolueno	●	●	●	●	●
Trichlorethylene dry - Trielina - Trichlorethen - Trichloréthylène - Tricloroetileno - Tricloroetileno	●	●	●	●	●
Vinegar - Aceto - Essig - Vinaigre - Vinagre - Vinagre	●	●	●	●	●
Water demineralized - Acqua demineralizzata - Demineralisiertes Wasser - Eau purifiée - Agua desionizada - Água deionização	●	●	●	●	●
Water (Hard) - Acqua dura - Hartes Wasser - Eau dure - Agua dura - Água dura	●	●	●	●	●
Water (Hot <75°C) - Acqua calda - Heißes Wasser - Eau chaude - Agua caliente - Água quente	●	●	●	●	●
Water (Hot-steam <140°C) - Vapore e acqua calda - Dampf und Heißwasser - Vapeur et eau chaude - Vapor y agua caliente - Vapor e água quente	●	●	●	●	●
Water with glycol - Acqua con glicole - Wasser mit Glykol - Eau avec glycol - Agua con glicol - Água com glicol	●	●	●	●	●
Xylene - Xilene - Xylol - Xylène - Xileno - Xileno	●	●	●	●	●

LEGEND:

● COMPATIBLE - COMPATIBLE - KOMPATIBEL - COMPATIBLE - COMPATIBLE - COMPATÍVEL

● INCOMPATIBLE - INCOMPATIBLE - UNVEREINBAR - INCOMPATIBLE - INCOMPATIBLE - INCOMPATÍVE.

● CHIEDERE ALL'UFFICIO TECNICO - ASK TO TECHNICAL DEPARTMENT - KONTAKTIEREN SIE UNS - VEUILLEZ NOUS CONSULTER - CONTACTAR EL DEPARTAMENTO TÉCNICO
 CONSULTE O DEPARTAMENTO TÉCNICO.

CARATTERISTICHE MATERIALI DI TENUTA


SEALING MATERIALS FEATURES

EIGENSCHAFTEN VON DICHTUNGSMATERIALIEN

CARACTÉRISTIQUES DES MATÉRIEAUX D'ÉTANCHÉITÉ

CARACTERÍSTICAS DE LOS MATERIALES DE SELLADO

CARACTERÍSTICAS DOS MATERIAIS DE VEDAÇÃO

Materiale tenute Sealing materials Dichtungsmaterialien Matériaux d'étanchéité Materiales de sellado Materiais de vedação	Temperatura Temperature Temperatur Température Temperatura Temperatura		Fluidi Fluids Flüssigkeiten Fluides Fluidos Fluidos
	min	max	
NBR	-10°C	+90°C	Aria, gas inerti, acqua, oli minerali, gasolio, oli combustibili Air, inert gases, water, mineral oils, diesel, fuel oils Luft, Edelgase, Wasser, Mineralöle, Diesel, Heizöl, Kraftstoffe Air, gas neutres, eau, huiles minerales, diesel, mazout Aire, gas inerte, agua, aceites minerales, gasóleo, fueloil Ar, gases inertes, água, óleos minerais, gasóleo, óleos combustíveis
NBR 	-40°C	+90°C	Aria, gas inerti, acqua, oli minerali, gasolio, oli combustibili Air, inert gases, water, mineral oils, diesel, fuel oils Luft, Edelgase, Wasser, Mineralöle, Diesel, Heizöl, Kraftstoffe Air, gas neutres, eau, huiles minerales, diesel, mazout Aire, gas inerte, agua, aceites minerales, gasóleo, fueloil Ar, gases inertes, água, óleos minerais, gasóleo, óleos combustíveis
FKM	-10°C	+140°C	Oli minerali, benzina, oli combustibili Mineral oils, gasoline, diesel, fuel oils Mineralöle, Benzin, Kraftstoffe Huiles minerales, essence, mazout Aceites minerales, gasolina, fueloil Óleos minerais, gasolina, óleos combustíveis
EPDM	-10°C	+140°C	Acqua calda, vapore (pressione max 2.5 bar) Hot water, steam (max pressure 2.5 bar) Warmwasser, Dampf (max betriebsdruck 2.5 bar) Eau chaude, vapeur (pression de service max 2.5 bar) Agua caliente, vapor (presión máx 2.5 bar) Água quente, vapor (pressão máx 2.5 bar)
PTFE	-40°C	+180°C	Vapore (pressione max 10 bar), solventi, fluidi aggressivi Steam (max pressure 10 bar), solvents, aggressive fluids Dampf (max druck 10 bar), lösungsmittel, aggressive flüssigkeiten Vapeur (pression max 10 bar), solvants, fluides agressifs Vapor (presión máxima 10 bar), disolventes, y fluidos agresivos Vapor (pressão máx 10 bar), solventes, fluidos agressivos
RUBY	-40°C	+180°C	Acqua, acqua calda, acqua demineralizzata, vapore (pressione max 10 bar), fluidi aggressivi Water, hot water, demineralized water, steam (max pressure 10 bar), aggressive fluids Wasser, Warmwasser, entmineralisiertes Wasser, Dampf (max betriebsdruck 10 bar), aggressive Flüssigkeiten Eau, eau chaude, eau déminéralisée, vapeur (pression de service max 10 bar), fluides agressifs Agua, agua caliente, agua desmineralizada, vapor (presión máxima 10 bar), fluidos agresivos Água, água quente, água desmineralizada, vapor (pressão máx 10 bar), fluidos agressivos
CR	-35°C	+100°C	Fluidi refrigeranti, miscele di acqua e glicole, ozono Refrigerants, water-glycol mixtures, ozone Kältemittel, Wasser-Glykol-Gemische, Ozon Réfrigérants, mélanges eau-glycol, ozone Refrigerantes, mezclas de agua y glicol, ozono Refrigerantes, misturas de água e glicol, ozônio



Tempi di risposta	IT	Response times	GB	Reaktionszeit	DE
Si definisce tempo di risposta all'apertura (o alla chiusura) di una elettrovalvola, l'intervallo di tempo che intercorre tra l'inserzione elettrica (o la disinserzione) e l'istante in cui la pressione in uscita (o in ingresso) raggiunge il 50% del valore massimo.		The response time of the opening (or closing) of a solenoid valve is defined as the time interval between the electrical insertion (or disconnection) and the moment in which the outlet (or inlet) pressure reaches 50% of the maximum value.		Die Ansprechzeit zum Öffnen (oder Schließen) eines Magnetventils ist definiert als das Zeitintervall zwischen dem elektrischen Einschalten (oder Ausschalten) und dem Zeitpunkt, zu dem der Auslass- (oder Einlass-) Druck 50% des Höchstwertes erreicht.	
Temps de réponse	FR	Tiempo de respuesta	ES	Tempos de resposta	PT
Le temps de réponse à l'ouverture (ou à la fermeture) d'une électrovanne est défini comme l'intervalle de temps entre la connexion électrique (ou déconnexion) et l'instant auquel la pression de sortie (ou d'entrée) atteint 50% de la valeur maximale.		Se define como tiempo de respuesta a la apertura (o cierre) de una electroválvula, el intervalo de tiempo que transcurre de la inserción eléctrica (o desconexión) y el instante en el cual la presión de salida (o entrada) alcanza el 50% del valor máximo.		Se define como tempo de resposta à abertura (ou fechamento) de uma eletroválvula, o intervalo de tempo que corre entre energização (ou desligamento) elétrico e o instante em que a pressão de saída (ou entrada) atinge 50% do valor máximo.	

Tipo di valvola Valves type Ventiltyp Type de vanne Tipo de válvula Tipo de válvula	Tempi di risposta Response times Reaktionszeit Temps de réponse Tiempos de respuesta Tempos de resposta		Note
	Open	Close	
Azionamento diretto NC Direct acting NC Direktwirkend NC Action directe NC Acción directa NC Ação direta NC 2/2 - 3/2	~ 10 ms	~ 20 ms	
Azionamento diretto NA Direct acting NO Direktwirkend NO Action directe NO Acción directa NO Ação direta NO 2/2 - 3/2	~ 20 ms	~ 10 ms	I tempi possono variare a seconda del fluido utilizzato (gas o liquido), della pressione, della portata, della viscosità e del tipo di tensione (AC o DC). <i>Response times may vary according to the fluid (gas or liquid), pressure, flow rate, viscosity and voltage supply (AC or DC).</i> <i>Die Reaktionszeiten können je nach Fluid (Gas oder Flüssigkeit), Druck, Durchflussmenge, Viskosität und Spannungsversorgung (AC oder DC).</i>
Servo-azionate NC Servo-assisted NC Servogesteuertes NC Servo-assistée NC Servo-asistido NC Servo-pilotada NC 1/4" → 2"	50 ms → 500 ms	70 ms → 600 ms	<i>Les temps de réponse peuvent varier selon le fluide (gaz ou liquide), pression, débit, viscosité et tension d'alimentation (AC ou DC).</i> <i>El tiempo de respuesta varía según el fluido utilizado (gas o líquido), de la presión, del caudal, de la viscosidad y del tipo de tensión (AC o DC)</i> <i>Os tempos podem variar segundo o fluido utilizado (gás ou líquido), da pressão, da vazão, da viscosidade e do tipo de tensão (AC ou DC).</i>
Servo-azionate NA Servo-assisted NO Servogesteuertes NO Servo-assistée NO Servo-asistido NO Servo-pilotada NO 1/4" → 2"	70 ms → 600 ms	50 ms → 500 ms	

**INSTALLAZIONE E MANUTENZIONE - INSTALLATION AND MAINTENANCE - INSTALATIONS UND WARTUNGSHINWEISE
INSTALLATION ET MAINTENANCE - INSTALACION Y MANTENIMIENTO - INSTALAÇÃO E MANUTENÇÃO**
IT
AVVERTENZE PER L'INSTALLAZIONE

- 1 Prima di procedere all'installazione assicurarsi che il modello valvola sia idoneo per l'utilizzo nell'applicazione, verificando che fluido, temperature, pressioni e portate di esercizio non eccedano i valori indicati nelle tabelle tecniche riportate sul catalogo Aignep ed anche sul sito web www.aignep.com.
- 2 Accertarsi che la valvola sia correttamente dimensionata rispetto alle tubazioni utilizzate e che il flusso scorra nella direzione indicata dalla freccia sul corpo valvola.
- 3 Assicurarsi che nel fluido non ci siano corpi estranei o impurità che possano ostruire il passaggio e compromettere la funzionalità delle valvole; Aignep consiglia sempre l'installazione di un filtro a monte.
- 4 Per fluidi e ambienti corrosivi accertarsi che tutti i materiali siano compatibili (contattare Aignep in caso di dubbi o ulteriori informazioni).
- 5 E' consigliato installare la valvola in posizione orizzontale con l'operatore rivolto verso l'alto per evitare che possibili impurità si depositino nel tubo guida dell'elettrovalvola.
- 6 Durante l'installazione sulle tubazioni:
 - 6.1 Assicurarsi che le tubazioni siano prive di pressione;
 - 6.2 Assemblare la valvola con i tubi e/o raccordi le cui filettature siano compatibili con la connessione;
 - 6.3 Evitare qualsiasi tipo di torsione o forzatura sulla valvola;
 - 6.4 Non utilizzare il tubo guida come presa per avvitare la valvola;
 - 6.5 Accertarsi che le connessioni con la tubazione siano prive di perdite (utilizzare sigillanti o nastri PTFE appropriati; prestare attenzione ai sigillanti liquidi che possono ostruire gli orifici di funzionamento della valvola);
 - 6.6 Accertarsi che la valvola non sia sottoposta a sollecitazioni e vibrazioni.
- 7 Si consiglia l'installazione della valvola in posizioni agevoli, così da permettere la semplice manutenzione o sostituzione della bobina.
- 8 Evitare che la valvola venga immersa in liquidi o sia esposta a getti d'acqua o vapore.
- 9 Si sconsiglia l'utilizzo delle valvole servo-azionate con scarico libero, se non opportunamente dimensionate
- 10 In caso di condensa utilizzare il kit anti-umidità (vedi catalogo Aignep).
- 11 **ATTENZIONE:** a garanzia delle prestazioni indicate si raccomanda di utilizzare valvole e bobine Aignep.

COLLEGAMENTO ELETTRICO

- 1 La bobina, quando installata sull'operatore, può essere roteata sul suo asse per collocarla nella posizione desiderata. Una volta trovata la posizione più idonea, assicurare la bobina fissando il dado all'operatore con una coppia massima di 5 Nm.
- 2 Collegare correttamente la bobina con gli appositi connettori, prestando attenzione alla messa a terra.
- 3 Le bobine Aignep sono idonee per il servizio continuo ED 100%.

TEMPERATURE

- 1 Nonostante le bobine siano conformi alle alte temperature, è sempre consigliato installare le valvole lontano da fonti di calore onde evitare surriscaldamenti eccessivi.
- 2 Verificare sempre sul catalogo le temperature di impiego e nel dubbio consultare Aignep.
- 3 Le temperature di impiego devono tenere conto dell'ambiente e anche delle temperature dei fluidi.
- 4 **ATTENZIONE:** quando eccitate le bobine tendono riscaldarsi; evitare di toccare con le mani.
- 5 **ATTENZIONE:** in caso di installazione con temperatura ambiente < 0°C, il congelamento del fluido può causare seri danni all'elettrovalvola.

MANUTENZIONE

- 1 Prima di effettuare qualsiasi tipo di manutenzione o smontaggio, onde evitare possibili danni alle persone o oggetti circostanti, accertarsi di aver scaricato la pressione nel circuito.
- 2 Assicurarsi che la bobina sia diseccitata.
- 3 Rimuovere il dado utilizzando la chiave esagonale della misura corretta e sfilare la bobina.
- 4 Rimuovere il kit operatore con l'apposita chiave esagonale; si consiglia di non utilizzare utensili che possano danneggiare il kit operatore.
- 5 Nella versione a membrana rimuovere anche il coperchio svitando le n. 4 viti.
- 6 Ispezionare la valvola pulendo i singoli componenti da eventuali corpi estranei e sostituire i particolari usurati o corrosi dall'utilizzo; si consiglia di utilizzare solo ricambi originali Aignep.
- 7 Accertarsi che tutti i componenti siano installati correttamente e quindi procedere alla chiusura della valvola.
- 8 Per l'installazione del kit operatore sul corpo valvola e del dado di fissaggio della bobina, utilizzare rispettivamente le coppie di serraggio max di 10 Nm e 5 Nm.

GB
INSTALLATION'S WARNINGS

- 1 Before to proceed with the installation, make sure that the valve model is suitable for the use in the application, verifying that fluid, temperatures, pressures and operating flow rates doesn't exceed the values indicated in the technical tables shown in the Aignep catalog and also on the website www.aignep.com.
- 2 Make sure that the valve is correctly sized for the piping used and that the flow is flowing in the direction indicated by the arrow on the valve body.
- 3 Make sure that there aren't foreign bodies or impurities in the fluid that could obstruct the passage and compromise the functionality of the valves; Aignep always recommends a filter installation upstream.
- 4 For corrosive fluids and environments make sure that all the materials are compatible (contact Aignep in case of doubt or further information).
- 5 It is recommended to install the valve in a horizontal position with the operator facing upwards to prevent possible impurities from depositing in the armature tube of the solenoid valve.
- 6 During the installation on the pipes:
 - 6.1 Make sure that the pipes are pressureless;
 - 6.2 Assemble the valve with the pipes and/or fittings whose threads are compatible with the connection;
 - 6.3 Avoid any kind of torsion or forcing on the valve;
 - 6.4 Do not use the armature tube as a socket for screwing the valve;
 - 6.5 Make sure that the connections to the piping are free of leaks (use appropriate PTFE sealants or tapes; pay attention to liquid sealants that can clog the valve operating orifices);
 - 6.6 Make sure that the valve is not subjected to stresses and vibrations.
- 7 It is recommended to install the valve in easy positions, to allow simple maintenance or replacement of the coil.
- 8 Avoid the valve being immersed in liquids or exposed to jets of water or steam.
- 9 The use of servo-assisted valves with free exhaust is not recommended, unless suitably sized.
- 10 In case of condensation, use the anti-humidity kit (see Aignep catalog).
- 11 **WARNING:** to guarantee the indicated performances it is recommended to use Aignep's valves and coils.

ELECTRICAL CONNECTIONS

- 1 The coil, when installed on the operator, can be rotated on its axis to place it in the desired position. Once the most suitable position is identified, anchor the coil by fixing the nut to the operator, with a maximum torque of 5 Nm.
- 2 Connect the coils correctly with the appropriate connectors, paying attention to the grounding.
- 3 Aignep coils are suitable for continuous service ED 100%.

TEMPERATURES

- 1 Although the coils conform to high temperatures, it is always recommended to install the valves away from heat sources to avoid excessive overheating.
- 2 Always check the operating temperatures in the catalog and if in doubt consult Aignep.
- 3 The temperatures of use must take into account the environment and also the temperatures of the fluids.
- 4 **WARNING:** when energized the coils tend to overheat. Do not touch them with your hands.
- 5 **WARNING:** in case of installation with ambient temperature < 0°C, the freezing of the fluid may cause serious damage to the solenoid valve.

MAINTENANCE

- 1 Before carrying out any type of maintenance or disassembly, in order to avoid possible damage to people or surrounding objects, make sure that the pressure in the circuit has been released.
- 2 Make sure the coil is de-energized.
- 3 Remove the nut using the correct size hex wrench and slide off the coil.
- 4 Remove the operator kit with the appropriate hex wrench; it is advisable not to use tools that could damage the operator kit.
- 5 In the diaphragm version remove also the cover by unscrewing the n. 4 screws.
- 6 Inspect the valve by cleaning the individual components from possible foreign bodies and replace the parts worn or corroded by the use; it is recommended to use original Aignep spare parts only.
- 7 Make sure all the components are correctly installed and then close the valve.
- 8 To fix the operator kit on the valve body and the coil fixing nut, use respectively a maximum tightening torque of 10 Nm and 5 Nm.

WARNHINWEISE ZUR INSTALLATION

- 1 Bevor Sie mit der Installation beginnen, vergewissern Sie sich, dass das Ventilmodell für die Anwendung geeignet ist. Überprüfen sie, dass die Flüssigkeit, die Temperaturen, die Drücke und die Betriebskapazität die in den technischen Tabellen im Aignep-Katalog und auf unserer Website www.aignep.com die angegebenen Werte nicht überschreiten.
- 2 Vergewissern Sie sich, dass das Ventil die richtige Größe für die verwendeten Rohre hat und dass der Durchfluss in die Richtung erfolgt, die durch die Pfeile auf dem Ventilgehäuse angegeben ist.
- 3 Vergewissern Sie sich, dass die Flüssigkeit keine Fremdkörper oder Verunreinigungen enthält, die den Durchfluss behindern und die Funktionsfähigkeit der Ventile beeinträchtigen können. Aignep rät, einen Filter immer mit Steigung zu installieren.
- 4 Bei korrosiven Flüssigkeiten und Umgebungen sicherstellen, dass alle Materialien kompatibel sind (im Zweifelsfall oder für weitere Informationen Aignep kontaktieren).
- 5 Es ist ratsam, das Ventil in horizontaler Lage mit nach oben gerichtetem Antrieb zu installieren, um zu verhindern, dass sich eventuelle Verunreinigungen im Führungsrohr des Magnetventils ablagern.
- 6 Bei der Montage an den Rohren:
 - 6.1 Stellen Sie sicher, dass die Rohre drucklos sind;
 - 6.2 Montieren Sie das Ventil mit Schläuchen/Rohren und/oder Anschlüssen, deren Gewinde mit dem Anschluss kompatibel ist;
 - 6.3 Vermeiden Sie jede Art von Torsion oder Gewaltanwendung auf das Ventil;
 - 6.4 Verwenden Sie das Führungsrohr nicht als Auslass, um das Ventil zu verschrauben;
 - 6.5 Stellen Sie sicher, dass die Verbindungen mit den Schläuchen/Rohren keine Lecks aufweisen (verwenden Sie geeignete Dichtungsprodukte oder PTFE-Bänder; seien Sie besonders vorsichtig mit flüssigen Dichtungsprodukten, da diese die Öffnungen des Ventils verstopfen können);
 - 6.6 Stellen Sie sicher, dass das Ventil keinen Belastungen und Vibrationen ausgesetzt ist.
- 7 Es ist ratsam, das Ventil an einer leicht zugänglichen Stelle zu installieren, um die Wartung und den Austausch der Spule zu erleichtern.
- 8 Das Ventil darf nicht in Flüssigkeiten getaucht werden und keinem Wasser- oder Dampfstrahl ausgesetzt werden.
- 9 Die Verwendung von servounterstützten Ventilen mit freiem Auslass wird nicht empfohlen, wenn nicht angemessen dimensioniert.
- 10 Im Falle von Kondenswasserbildung ist das Anti-Feuchtigkeits-Kit zu verwenden (siehe Aignep-Katalog).
- 11 **WARNUNG:** um die angegebenen Leistungen zu gewährleisten, wird empfohlen, Ventile und Spulen von Aignep zu verwenden

ELEKTRISCHE ANSCHLÜSSE

- 1 Die Spule kann, wenn sie am Antrieb installiert ist, um ihre Achse gedreht werden, bis sie sich in der gewünschten Position befindet. Sobald die am besten geeignete Position gefunden ist, die Spule durch Befestigung der Mutter am Antrieb mit einem maximalen Drehmoment von 5 Nm befestigen.
- 2 Schließen Sie die Spule mit ihren Anschlüssen korrekt an. Achten Sie besonders auf die Erdung.
- 3 Aignep-Spulen sind für den Dauerbetrieb ED 100% geeignet.

TEMPERATUREN

- 1 Obwohl die Spulen für hohe Temperaturen geeignet sind, ist es immer ratsam, sie nicht in der Nähe von Wärmequellen zu installieren, um eine übermäßige Überhitzung zu vermeiden.
- 2 Überprüfen Sie immer die Gebrauchstemperaturen im Katalog. Im Zweifelsfall wenden Sie sich bitte an Aignep.
- 3 Bei den Betriebstemperaturen müssen die Umgebung und die Temperatur der Flüssigkeiten berücksichtigt werden.
- 4 **WARNUNG:** Bei Erregung neigen die Spulen zur Überhitzung. Berühren Sie sie nicht mit Ihren Händen.
- 5 **WARNUNG:** Bei einer Installation mit Umgebungstemperatur < 0°C kann das Einfrieren der Flüssigkeit zu schweren Schäden am Magnetventil führen.

WARTUNG

- 1 Vor jeder Art von Wartung oder Demontage, um mögliche Schäden an Personen oder Gegenständen in der Nähe zu vermeiden, sicherstellen, dass der gesamte Druck mit Steigung zum Magnetventil abgelassen wurde.
- 2 Stellen Sie sicher, dass die Spule nicht erregt ist.
- 3 Entfernen Sie die Mutter mit einem Inbusschlüssel der richtigen Größe, und schieben Sie die Spule heraus.
- 4 Entfernen Sie den Antriebsatz mit dem passenden Inbusschlüssel. Verwenden Sie keine Werkzeuge, die das Bediener-Kit beschädigen können.
- 5 Bei der Membranversion entfernen Sie auch den Deckel, indem Sie die 4 Schrauben abschrauben.
- 6 Überprüfen Sie das Ventil, reinigen Sie alle Teile und entfernen Sie alle Fremdkörper, die möglicherweise vorhanden sind. Ersetzen Sie verschlissene oder korrodierte Teile; es ist ratsam, nur Originalteile von Aignep zu verwenden.
- 7 Vergewissern Sie sich, dass alle Teile korrekt installiert sind, und schließen Sie das Ventil.
- 8 Zur Befestigung des Bediensatzes am Ventilkörper und der Schraubenbefestigungsmutter ein maximales Anzugsmoment von 10 Nm und 5 Nm verwenden.

AVERTISSEMENTS CONCERNANT L'INSTALLATION

- 1 Avant de procéder à l'installation, assurez-vous que le modèle de vanne est adapté à l'utilisation dans l'application, en vérifiant que le fluide, les températures, les pressions et la capacité de fonctionnement ne dépassent pas les valeurs indiquées dans les tableaux techniques du catalogue Aignep et sur notre site internet www.aignep.com.
- 2 Assurez-vous que la vanne est de la bonne taille pour les tubes utilisés et que le débit est dans le sens indiqué par les flèches sur le corps de la vanne.
- 3 Assurez-vous que le fluide ne contient pas de corps étrangers ou d'impuretés susceptibles d'obstruer le passage et de compromettre le fonctionnement des vannes. Aignep conseille toujours d'installer un filtre en amont.
- 4 Pour les fluides et environnements corrosifs, s'assurer que tous les matériaux sont compatibles (contacter Aignep en cas de doute ou pour plus d'informations).
- 5 Il est conseillé d'installer la vanne en position horizontale, avec l'opérateur tourné vers le haut pour éviter que d'éventuelles impuretés ne se déposent dans le tube de guidage de l'électrovanne.
- 6 Lors de l'installation sur les tubes/tuyaux:
 - 6.1 S'assurer que les tuyaux sont sans pression;
 - 6.2 Assembler la vanne avec des tubes/tuyaux et/ou raccords dont le filetage est compatible avec le taraudage;
 - 6.3 Éviter tout type de torsion ou de forçage sur la vanne;
 - 6.4 Ne pas utiliser le tube de guidage comme sortie pour visser la valve;
 - 6.5 S'assurer que les raccords avec les tubes/tuyaux ne présentent pas de fuites (utiliser des produits d'étanchéité appropriés ou des bandes PTFE; être particulièrement prudent avec les produits d'étanchéité liquides, car ils peuvent obstruer les orifices de la vanne);
 - 6.6 Assurez-vous que la vanne n'est pas soumise à des contraintes et à des vibrations.
- 7 Il est conseillé d'installer la vanne dans une position facilement accessible pour faciliter la maintenance et le remplacement de la bobine.
- 8 Ne laissez pas la vanne être immergée dans des liquides ou exposée à des jets d'eau ou de vapeur.
- 9 L'utilisation de vannes servo-assistées avec échappement libre n'est pas recommandée, si elle n'est pas suffisamment dimensionnée.
- 10 En cas de condensation, utiliser le kit anti-humidité (voir catalogue Aignep).
- 11 **ATTENTION:** pour garantir les performances indiquées, il est recommandé d'utiliser les vannes et bobines d'Aignep.

CONNEXIONS ELECTRIQUES

- 1 La bobine, lorsqu'elle est installée sur l'opérateur, peut être tournée sur son axe jusqu'à ce qu'elle soit dans la position souhaitée. Une fois la position la plus appropriée identifiée, maintenez la bobine en fixant l'écrou à l'opérateur, avec un couple maximum de 5 Nm.
- 2 Raccorder correctement la bobine à l'aide de ses connecteurs. Soyez particulièrement attentif à la mise à la terre.
- 3 bobines Aignep sont adaptées pour un service constant ED 100%.

TEMPÉRATURES

- 1 Bien que les bobines soient conformes aux hautes températures, il est toujours conseillé de les installer loin des sources de chaleur, pour éviter une surchauffe excessive.
- 2 Vérifiez toujours sur le catalogue les températures d'utilisation. En cas de doute, contactez Aignep.
- 3 Les températures de fonctionnement doivent tenir compte de l'environnement et de la température des fluides.
- 4 **ATTENTION:** lorsqu'elles sont sous tension, les bobines ont tendance à surchauffer. Ne les touchez pas avec vos mains.
- 5 **ATTENTION:** en cas d'installation à température ambiante < 0°C, le gel du liquide peut endommager gravement la vanne électromagnétique.

MAINTENANCE

- 1 Avant tout type d'entretien ou de démontage, pour éviter d'éventuels dommages aux personnes ou aux objets à proximité, assurez-vous que toute la pression en amont de l'électrovanne a été purgée.
- 2 Assurez-vous que la bobine n'est pas sous tension.
- 3 Retirez l'écrou à l'aide de la clé Allen de la taille appropriée, puis faites glisser la bobine vers l'extérieur.
- 4 Retirez le kit de l'opérateur avec la clé Allen appropriée. N'utilisez pas d'outils susceptibles d'endommager le kit de l'opérateur.
- 5 Dans la version à membrane, retirez également le couvercle en dévissant les 4 vis.
- 6 Inspectez la vanne, nettoyez chaque pièce et enlevez tous les corps étrangers éventuellement présents. Remplacer les pièces usées ou corrodées ; il est conseillé de n'utiliser que des pièces d'origine Aignep.
- 7 Assurez-vous que toutes les pièces sont correctement installées, puis fermez la vanne.
- 8 Pour fixer le kit opérateur sur le corps de la vanne et l'écrou de fixation de la bobine, utiliser respectivement un couple de serrage maximal de 10 Nm et 5 Nm.

ADVERTENCIAS PARA LA INSTALACION

- 1 Antes de proceder a la instalación asegurarse que el modelo de la válvula es el adecuado para utilizar en la aplicación, verificando que el fluido, temperatura, presión y caudal de ejercicio no excede los valores indicados en la tabla técnica que se muestran en el catálogo de Aignep y también en el sitio web www.aignep.com.
- 2 Asegúrese de que la válvula tenga el tamaño correcto con las tuberías utilizadas y que el flujo circule en la dirección indicada por la flecha en el cuerpo de la válvula.
- 3 Asegúrese de que no haya cuerpos extraños o impurezas en el fluido que puedan obstruir el paso y comprometer la funcionalidad de las válvulas; Aignep siempre recomienda instalar un filtro al inicio de la instalación.
- 4 Para fluidos y ambientes corrosivos asegurarse de que todos los materiales sean compatibles (contactar con Aignep en caso de duda o más información).
- 5 Es aconsejable instalar la válvula en posición horizontal con el operador hacia arriba para evitar que se depositen posibles impurezas en el tubo guía de la electroválvula.
- 6 Durante la instalación de las tuberías:
 - 6.1 Asegúrese de que las tuberías no tienen presión;
 - 6.2 Montar la válvula con los tubos y/o accesorios cuyas roscas sean compatibles con la conexión.
 - 6.3 Evitar cualquier tipo de torsión o fuerza sobre la válvula.
 - 6.4 No utilizar el tubo guía como enchufe para atornillar la válvula.
 - 6.5 Asegúrese de que las conexiones con las tuberías están libres de fugas (use selladores o cintas de PTFE; preste atención a los selladores líquidos que pueden obstruir los orificios de operación de la válvula).
 - 6.6 Asegúrese de que la válvula no está sujeta a tensiones ni vibraciones.
- 7 Recomendamos la instalación de la válvula en posiciones cómodas para permitir un mantenimiento o reemplazo sencillo de la bobina.
- 8 Evite que la válvula se sumerja en líquidos o quede expuesta a chorros de agua o vapor.
- 9 No se recomienda el uso de válvulas servoaccionadas con descarga libre si no están adecuadamente dimensionadas.
- 10 En caso de condensación utilizar el kit anti-humedad (ver catálogo Aignep).
- 11 ATENCIÓN: para garantizar las prestaciones indicadas se recomienda utilizar las válvulas y bobinas de Aignep

CONEXION ELECTRICA

- 1 La bobina, cuando está instalado en el operador, se puede girar sobre su eje para colocarla en la posición deseada. Una vez haya encontrado la posición más adecuada, asegure la bobina fijando la tuerca al operador con una fuerza máxima de 5 Nm.
- 2 Ensamblar adecuadamente la bobina con los conectores adecuados, prestando atención a la conexión de masa a tierra
- 3 Las bobinas Aignep son idóneas para un servicio continuado 100%ED.

TEMPERATURA

- 1 Aunque las bobinas soportan altas temperaturas, es siempre aconsejado instalar las válvulas lejos de fuentes de calor para evitar un sobre calentamiento excesivo.
- 2 Compruebe siempre las temperaturas de funcionamiento en el catálogo y en caso de duda consulte a Aignep
- 3 Las temperaturas de uso deben tener en cuenta el ambiente y también las temperaturas de los fluidos.
- 4 ATENCIÓN: cuando están conectada, las bobinas tienden a calentarse; evitar tocar con las manos.
- 5 ATENCIÓN: en caso de instalación con temperatura ambiente < 0°C, la congelación del fluido puede causar daños graves a la válvula solenoide.

MANUTENIMIENTO

- 1 Antes de efectuar cualquier tipo de mantenimiento o desmontaje, para evitar posible daños a las personas o a los objetos del entorno, asegúrese de haber liberado la presión del circuito.
- 2 Asegúrese de que la bobina no tenga corriente.
- 3 Retire la tuerca con la llave hexagonal del tamaño correcto y saque la bobina.
- 4 Retire el kit del operador con la llave adecuada; se aconseja no utilizar herramientas que puedan dañar el kit operador.
- 5 En la versión de membrana quitar también la tapa desenroscando los 4 tornillos.
- 6 Inspeccione la válvula limpiando los componentes individuales de cualquier cuerpo extraño y reemplace las partes desgastadas o corroídas por el uso; se recomienda utilizar únicamente repuestos originales Aignep.
- 7 Asegúrese de que todos los componentes están instalados correctamente y luego cierre la válvula.
- 8 Para fijar el kit del operador en el cuerpo de la válvula y la tuerca de fijación de la bobina, utilice respectivamente un par de apriete máximo de 10 Nm y 5 Nm.

ADVERTÊNCIA PARA A INSTALAÇÃO

- 1 Antes de iniciar a instalação assegure-se que o modelo da válvula seja adequado para a utilização na aplicação. Deve-se confirmar que o fluido, a temperaturas, pressões e vazão de trabalho não excedam os valores indicados nas tabelas técnicas presentes no catálogo Aignep e também no site www.aignep.com.
- 2 Confirme que a válvula esteja corretamente dimensionada com relação às tubulações utilizadas e que o fluxo siga a direção indicada pela seta gravada no corpo da válvula.
- 3 Assegure-se que no fluido não existam corpos estranhos ou impurezas que possam obstruir a passagem e comprometer a funcionalidade das válvulas; a Aignep aconselha sempre a instalação de um filtro na linha.
- 4 Para fluidos e ambientes corrosivos confirme que todos os materiais sejam compatíveis (contatar a Aignep em caso de dúvidas ou maiores informações).
- 5 É aconselhável instalar a válvula na posição horizontal com o operador virado para cima para evitar que possíveis impurezas se depositem no tubo guia da eletroválvula.
- 6 Durante a instalação nas tubulações:
 - 6.1 Certifique-se de que os tubos não têm pressão;
 - 6.2 Montar a válvula com tubos e/ou conexões cujas roscas sejam compatíveis.
 - 6.3 Evitar qualquer tipo de torsão ou esforço excessivo na válvula.
 - 6.4 Não utilizar o tubo guia como apoio para parafusar a válvula.
 - 6.5 Certificar-se que as conexões com a tubulação estejam sem vazamentos (utilizar vedante ou fita de PTFE apropriados; prestar atenção aos vedantes líquidos que possam obstruir os orifícios de funcionamento da válvula).
 - 6.6 Certificar-se que a válvula não seja sujeita a esforços e vibrações.
- 7 É aconselhável a instalação da válvula em locais de fácil acesso, de forma a permitir manutenção simples ou substituição rápida da bobina.
- 8 Evitar que a válvula seja imersa em líquidos ou seja exposta a jatos d'água ou vapor.
- 9 Não recomendamos o uso de válvulas servo-operadas com descarga livre, se não devidamente dimensionadas.
- 10 Em caso de condensado, utilizar o kit anti-umidade (ver catálogo Aignep).
- 11 ATENÇÃO: para garantir os desempenhos indicados, recomenda-se usar as válvulas e bobinas de Aignep

LIGAÇÃO ELÉTRICA


- 1 A bobina, quando instalada no operador, pode ser girada no eixo para ser colocada na posição desejada. Uma vez encontrada a posição ideal, prenda a bobina fixando a porca ao operador com um torque máximo de 5 Nm.
- 2 Ligue corretamente a bobina com os conectores apropriados, prestando atenção ao aterramento.
- 3 As bobinas da Aignep são adequadas para o trabalho contínuo - ED 100%.

TEMPERATURAS

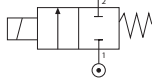
- 1 Embora as bobinas sejam compatíveis à altas temperaturas, é sempre aconselhável instalar as válvulas longe de fontes de calor para evitar um super-aquecimento excessivo.
- 2 Verificar sempre no catálogo as temperaturas de aplicação e em caso de dúvidas consultar a Aignep.
- 3 As temperaturas de trabalho devem levar em conta o ambiente e também as temperaturas dos fluidos.
- 4 ATENÇÃO: quando ligadas, as bobinas tendem a esquentar; evite tocá-las.
- 5 ATENÇÃO: em caso de instalação com temperatura ambiente < 0°C, o congelamento do fluido pode causar sérios danos à válvula solenóide.

MANUTENÇÃO



- 1 Antes de efetuar qualquer tipo de manutenção ou desmontagem, para evitar possíveis danos a pessoas ou objetos ao redor, certifique-se de ter despressurizado o circuito.
- 2 Assegure-se que a bobina esteja desenergizada.
- 3 Remova a porca utilizando a chave hexagonal da medida correta e retire a bobina.
- 4 Remover o kit do operador com a chave hexagonal apropriada; é aconselhável de não utilizar ferramentas que possam danificar o kit do operador.
- 5 Na versão com membrana, remova também a tampa soltando os 4 parafusos.
- 6 Inspeccionar a válvula limpando os componentes individuais de quaisquer corpos estranhos. Substitua as peças desgastadas ou corroídas pelo uso; recomenda-se utilizar apenas peças de reposição originais Aignep.
- 7 Certifique-se que todos os componentes estejam instalados corretamente e então feche novamente a válvula.
- 8 Para fixar o kit do operador no corpo da válvula e na porca de fixação da bobina, use respectivamente um torque de aperto máximo de 10 Nm e 5 Nm.



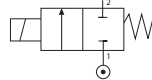
2/2 NC





1/4"
Pag. 5.4

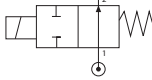
2/2 NC





3/8" - 1/2"
Pag. 5.6

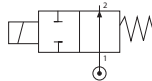
2/2 NO





1/4"
Pag. 5.8

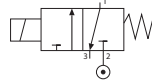
2/2 NO





3/8" - 1/2"
Pag. 5.10

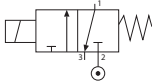
3/2 NC





1/4"
Pag. 5.12

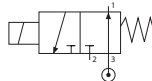
3/2 NC





3/8" - 1/2"
Pag. 5.14

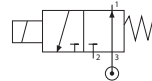
3/2 NO




1/4"
Pag. 5.16

3/2 NO



3/8" - 1/2"
Pag. 5.18




30 mm

Serie C
Pag. 19.5




30 mm

Serie D
Pag. 19.6




36 mm

Serie E
Pag. 19.7




30 mm

Serie V - 30mm
Pag. 5.9




Connectors
Pag. 19.11 / 19.13



Aignep si riserva il diritto di variare modelli e ingombri senza preavviso - Aignep reserves the right to vary models and dimensions without notice - Aignep behält sich das Recht vor, Daten ohne Ankündigung zu ändern
 Aignep se réserve le droit de modifier les données sans préavis - Aignep se reserva el derecho de modificar modelos y dimensiones sin previo aviso - Aignep reserwa-se o direito de alterar os modelos e dimensões sem prévio aviso

ELETTROVALVOLE AD AZIONAMENTO DIRETTO CON CORPO IN OTTONE

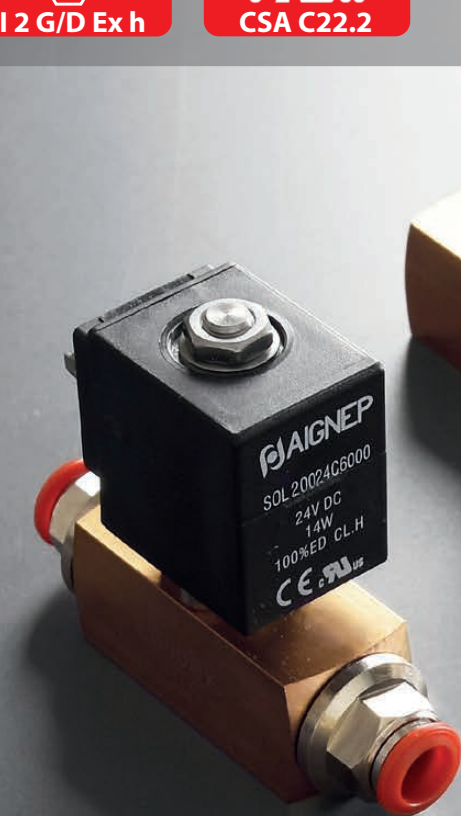
DIRECT ACTING SOLENOID VALVES WITH BRASS BODY

MAGNETVENTILE MIT DIREKTER BETÄTIGUNG MIT MESSINGGEHÄUSE

ÉLECTROVANNES À COMMANDE DIRECTE AVEC CORPS EN LAITON

ELECTROVÁLVULAS DE ACCIONAMIENTO DIRECTO CON CUERPO DE LATÓN

ELETTROVÁLVULAS DE ACIONAMENTO DIRETO COM CORPO DE LATÃO



Serie 02F

Le elettrovalvole serie 02F - azionamento diretto con corpo filettato in ottone - rispondono alle esigenze richieste di mercato combinando un'ampia selezione dei materiali di tenuta alla capacità di gestire pressioni elevate, coprendo così una vasta gamma di applicazioni.

La scelta di tre tipologie di bobine (serie C, D, E) aventi diverse taglie e potenze aumentano le prestazioni di queste valvole. (A richiesta è disponibile la versione certificata VDE con bobina inclusa).

Principali vantaggi

- Connessioni 1/4", 3/8" e 1/2"
- Orifici dal Ø 1.0 mm al Ø 6.4 mm
- Pressioni di lavoro fino a 100 bar
- Ampia selezione dei materiali di tenuta
- Guarnizioni certificate FDA e conformi NSF51
- Possibilità di esecuzioni speciali con raccordi Aignep
- Grado di protezione IP67 con connettore e kit antiumidità

Applicazioni

- Acqua, Liquidi neutri, Oli
- Industria alimentare, Misting
- Autolavaggi, Sistemi di lavaggio, Idropulitrici
- Aria, Gas inerti, Vuoto
- Processi industriali, Automazione, Refrigerazione
- Macchine utensili, Taglio laser, Compressori
- Ossigeno, Vapore, Medica, Sterilizzatori
- Industria Chimica e Petrochimica, Hi-Tech

Les électrovannes de la série 02F - à commande directe avec corps fileté en laiton - répondent aux demandes exigeantes du marché en combinant une large sélection de matériaux d'étanchéité avec la capacité de gérer des pressions élevées, couvrant une large gamme d'applications.

Le choix de trois types de bobines (séries C, D, E) de tailles et de puissances différentes augmente les performances de ces vannes. (La version certifiée VDE avec bobine incluse est disponible sur demande).

Principaux avantages

- Connexions 1/4", 3/8" & 1/2"
- Orifices de Ø 1,0 mm à Ø 6,4 mm
- Pression jusqu'à 100 bar
- Large choix de matériaux d'étanchéité
- Joints certifiés FDA et conformes NSF51
- Possibilité d'exécutions spéciales avec ferrures Aignep
- Degré de protection IP67 avec connecteur et kit anti-humidité

Applications

- Eau, Liquides neutres, Huiles
- Agroalimentaire, Brumisation
- Lavage-auto, Systèmes de lavage, Nettoyeurs haute pression
- Air, Gaz inertes, Vide
- Process industriels, Automatismes, Froid
- Machines outils, Découpe laser, Compresseurs
- Oxygène, Vapeur, Médical, Stérilisateurs
- Industrie chimique et pétrochimique, Hi-Tech

The 02F series solenoid valves - direct acting with brass threaded body - meet the demanding market demands by combining a wide selection of sealing materials with the ability to handle high pressures, covering a wide range of applications.

The choice of three types of coils (series C, D, E) having different sizes and powers increase the performance of these valves. (The VDE-certified version with included coil is available upon request).

Main advantages

- Connections 1/4", 3/8" & 1/2"
- Orifices from Ø 1.0 mm up to Ø 6.4 mm
- Working pressures up to 100 bar
- Wide selection of sealing materials
- FDA certified and NSF51 compliant seals
- Possibility of special executions with Aignep fittings
- IP67 protection degree with connector and anti-humidity kit

Applications

- Water, Neutral liquids, Oils
- Food industry, Misting
- Car washes, Washing systems, Pressure washers
- Air, Inert gases, Vacuum
- Industrial processes, Automation, Refrigeration
- Machine tools, Laser cutting, Compressors
- Oxygen, Steam, Medical, Sterilizers
- Chemical and Petrochemical industry, Hi-Tech

Die Serie 02F sind direktwirkende Magnetventile und bestehen aus einem Messingkörper mit Anschlussgewinden. Die Ventile erfüllen die anspruchsvollen Marktanforderungen durch die Kombination einer großen Auswahl an Dichtungsmaterialien und sind auch für hohe Betriebsdrücke geeignet. Mit diesen Eigenschaften decken Sie einen weiten Anwendungsbereich ab.

Die Auswahl von drei Spulentypen (Serie C, D, E) mit unterschiedlichen Größen erhöhen die Leistung dieser Ventile. (VDE-zertifizierte Ausführung mit Spule auf Anfrage erhältlich).

Vorteile

- Anschlüsse 1/4", 3/8" & 1/2"
- Öffnungen von Ø 1,0 mm bis zu Ø 6,4 mm
- Betriebsdruck bis zu 100 bar
- Große Auswahl an Dichtungsmaterialien
- FDA-zertifizierte und NSF51-konforme Dichtungen
- Möglichkeit von Sonderausführungen mit Aignep-Fittings
- IP67 Schutz mit Anschlussstück und Feuchtigkeitsschutz-Kit

Anwendungen

- Wasser, neutrale Flüssigkeiten, Öle
- Lebensmittelindustrie, Vernebelung
- Autowaschanlagen, Waschanlagen, Hochdruckreiniger
- Luft, inerte Gase, Vakuum
- Industrielle Prozesse, Automatisierung, Kältetechnik
- Werkzeugmaschinen, Laserschneiden, Kompressoren

Las electroválvulas de la serie 02F, de accionamiento directo con cuerpo roscado de latón, satisfacen las exigentes demandas del mercado al combinar una amplia selección de materiales de sellado con la capacidad de manejar altas presiones, cubriendo una amplia gama de aplicaciones.

La elección de tres tipos de bobinas (series C, D, E) con diferentes tamaños y potencias aumentan el rendimiento de estas válvulas. (Bajo solicitud está disponible la versión certificada VDE con bobina incluida).

Principales ventajas

- Conexiones 1/4", 3/8" y 1/2"
- Orificios desde Ø 1,0 mm hasta Ø 6,4 mm
- Presiones de trabajo hasta 100 bar
- Amplia selección de materiales de sellado
- Juntas certificadas por FDA y compatibles con NSF51
- Posibilidad de ejecuciones especiales con racores Aignep
- Grado de protección IP67 con conector y kit antihumedad

Aplicaciones

- Agua, Líquidos neutros, Aceites
- Industria alimentaria, Nebulización
- Lavado de coches, Sistemas de lavado, Máquina de lavado a presión
- Aire, Gases inertes, Vacío
- Procesos Industriales, Automatización, Refrigeración
- Máquinas herramienta, Corte por láser, Compresores
- Oxígeno, Vapor, Médico, Esterilizadores
- Industria química y petroquímica, Hi-Tech

As válvulas solenoides da série 02F – de ação direta com corpo roscado em latão – atendem às mais exigentes demandas do mercado, combinando uma ampla gama de materiais de vedação com a capacidade de lidar com altas pressões, abrangendo uma grande variedade de aplicações.

A escolha de três tipos de bobinas (séries C, D, E) com diferentes tamanhos e potências, aumentam muito o desempenho dessas válvulas. (Mediante solicitação, está disponível a versão certificada VDE com bobina incluída).

Principais vantagens

- Conexões 1/4", 3/8" e 1/2"
- Orifícios de Ø 1,0 mm até Ø 6,4 mm
- Pressões de trabalho até 100 bar
- Ampla gama de materiais de vedação
- Selos certificados pela FDA e compatíveis com NSF51
- Possibilidade de montagens especiais com acessórios Aignep
- Grau de proteção IP67 com conector e kit anti-umidade

Aplicações

- Água, líquidos neutros, óleos
- Indústria alimentícia, nebulização
- Lavagem de carros, sistemas de limpeza e lavagem em geral, lavadoras de alta pressão
- Ar, gases inertes, vácuo
- Processos Industriais, Automação, Refrigeração
- Máquinas-ferramentas, corte a laser, compressores
- Oxigênio, Vapor, Médico, Esterilizadores
- Indústria Química e Petroquímica, Hi-Tech



Caratteristiche generali - 01F - Posizione di montaggio universale - Kit operatore Ø 13 mm - Certificazione valvole: ATEX II 2G/D Ex h - Bobine: classe H - - CSA C22.2 - A richiesta disponibile versione VDE con bobina inclusa	IT	General features - 01F - Universal mounting position - Operator kit Ø 13 mm - ATEX II 2G/D Ex h certification - Coils: Class H - - CSA C22.2 - VDE version with coil included available upon request	GB	Eigenschaften - 01F - Einbaulage universal - Bausatz Ø 13 mm - ATEX II 2G/D Ex h zulassung - Spulenkategorie H - - CSA C22.2 - VDE-Ausführung mit Spule inklusive auf Anfrage	DE
Caractéristiques générales - 01F - Position de montage universelle - Kit Pilote Ø 13 mm - Certification ATEX II 2G/D Ex h - Bobine: classe H - - CSA C22.2 - Version VDE avec bobine incluse disponible sur demande	FR	Características generales - 01F - Posición de montaje universal - Kit operador Ø 13 mm - Certificación ATEX II 2G/D Ex h - Bobinas: clase H - - CSA C22.2 - Versión VDE con bobina incluida disponible bajo solicitud	ES	Características gerais - 01F - Posição de montagem universal - Kit do operador Ø 13 mm - Certificação ATEX II 2G/D Ex h - Bobinas: classe H - - CSA C22.2 - Versão VDE com bobina incluída disponível sob solicitação	PT

Tabella dei codici di ordinazione

Ordering codes

Bestellschlüssel

Composition de la référence de commande

Tabla para definición de código

Tabela de código de compra

SERIE	Connessione Port size Masse Dimension Tamanho	Funzione Functions Funktion Fonctions Función Funções	Orificio Orifice Dn Passage Orificio Orificio	Materiale guarnizioni Sealing materials Dichtungswerkstoffe Matériaux des joints Material juntas Material das vedações	Versione Version Ausführung Version Versión Versão	Filettatura Thread Gewinde Filetage Rosca Rosca
-------	---	--	--	---	---	--

0	2	F	0	3	1	0	1	N	0	
	03 = 1/4"	1 = 2/2 NC	Normalmente chiusa Normally closed Normalerweise geschlossen Normalement fermée Normalmente cerrada Normalmente fechada	01 = 1.0 mm	N = NBR	0 = Standard				= Gas
	04 = 3/8"			15 = 1.5 mm	F = NBR	1 = Comando manuale (su richiesta solo 1/4") Manual override (on request, only 1/4") Handbetätigung (auf Anfrage, nur 1/4") Commande manuelle (sur demande, seulement 1/4") Comando manual (a petición, solo 1/4") Accionamento manual (apedido, apenas 1/4")				N = NPTF
	05 = 1/2"	2 = 2/2 NO	Normalmente aperta Normally open Normalerweise offen Normalement ouvert Normalmente abierta Normalmente aberta	25 = 2.5 mm	E = EPDM					
				03 = 3 mm	V = FKM					
		3 = 3/2 NC	Normalmente chiusa Normally closed Normalerweise geschlossen Normalement fermée Normalmente cerrada Normalmente fechada	04 = 4 mm	P = PTFE					
				05 = 5 mm	R = RUBY					
		4 = 3/2 NO	Normalmente aperta Normally open Normalerweise offen Normalement ouvert Normalmente abierta Normalmente aberta	64 = 6.4 mm	C = CR					
						3 = Sede in Acciaio Inox (su richiesta) Stainless Steel seat (on request) Sitz aus Edelstahl (auf Anfrage) Siège en Acier Inoxydable (sur demande) Asiento en Acero Inoxidable (a petición) Sede in Acciaio Inox (apedido)				

BOBINE: SERIE C, D, E, V-30mm COILS: SERIES C, D, E, V-30mm SPULEN: SERIES C, D, E, V-30mm BOBINAS: SÉRIES C, D, E, V-30mm BOBINAS: SERIES C, D, E, V-30mm BOBINAS: SÉRIES C, D, E, V-30mm	PAG: 19.5/19.6/19.7/19.9 PAG: 19.5/19.6/19.7/19.9 PAG: 19.5/19.6/19.7/19.9 PAG: 19.5/19.6/19.7/19.9 PAG: 19.5/19.6/19.7/19.9 PAG: 19.5/19.6/19.7/19.9	CONNETTORI CONNECTORS STECKER CONNECTEURS CONECTORES CONECTORES	PAG: 19.11 / 19.13 PAG: 19.11 / 19.13 PAG: 19.11 / 19.13 PAG: 19.11 / 19.13 PAG: 19.11 / 19.13 PAG: 19.11 / 19.13
--	---	---	---

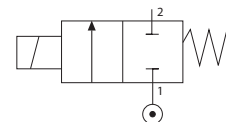
SERIE 02F

ELETTROVALVOLE AD AZIONAMENTO DIRETTO CON CORPO IN OTTONE

DIRECT ACTUATED SOLENOID VALVES WITH BRASS BODY
 MAGNETVENTILE MIT DIREKTER BETÄTIGUNG MIT MESSINGGEHÄUSE
 ÉLECTROVANNES À COMMANDE DIRECTE AVEC CORPS EN LAITON
 ELECTROVÁLVULAS DE ACCIONAMIENTO DIRECTO CON CUERPO DE LATÓN
 ELETRÓVALVULAS DE ACIONAMENTO DIRETO COM CORPO DE LATÃO

2/2 NC

1/4"



Materiali e Componenti	IT	Materials and Components	GB	Materialien und Komponenten	DE
1 Corpo: Ottone CW617N		1 Body: Brass CW617N		1 Körper: Messing CW617N	
2 Tenute: NBR - NBR - EPDM - FKM - PTFE - RUBY - CR		2 Seals: NBR - NBR - EPDM - FKM - PTFE - RUBY - CR		2 Dichtung: NBR - NBR - EPDM - FKM - PTFE - RUBY - CR	
3 Tubo guida: Acciaio Inox		3 Armature tube: Stainless steel		3 Führungsrohr: Edelstahl	
4 Nucleo fisso e mobile: Acciaio Inox AISI 430FR		4 Fixed and mobile core: Stainless steel AISI 430FR		4 Kern: Edelstahl AISI 430FR	
5 Molle: Acciaio Inox		5 Springs: Stainless steel		5 Feder: Edelstahl	
Matériaux et Composants	FR	Materiales y componentes	ES	Materialis e Componentes	PT
1 Corps: Laiton CW617N		1 Cuerpo: Latón CW617N		1 Corpo: Latão CW617N	
2 Joints: NBR - NBR - EPDM - FKM - PTFE - RUBY - CR		2 Juntas: NBR - NBR - EPDM - FKM - PTFE - RUBY - CR		2 Vedações: NBR - NBR - EPDM - FKM - PTFE - RUBY - CR	
3 Tube de pilotage: Acier inox		3 Tubo guía: Acero inox		3 Tubo Guia: Aço-inox	
4 Noyau: Acier inox AISI 430FR		4 Núcleo fijo y móvil: Acero inox AISI 430FR		4 Núcleo fixo e móvel I: Aço-inox AISI 430FR	
5 Ressort: Acier inox		5 Muelle: Acero inox		5 Mola: Aço-inox	



Pressione massima ammissibile

Maximum allowable pressure

Max. Betriebsdruck

Pression de service max.

Presión máxima admisible

Pressão máxima admissível

100 bar



Tabella compatibilità e materiali

Compatibility and materials table

Beständigkeitsübersicht

Tableau de compatibilité des matériaux

Tabla de compatibilidad de materiales

Tabela de compatibilidade química

Pag. 0.21 - 0.22



Temperatura ambiente con bobine in classe H

Room temperature with coil class H

Raumtemperatur, mit Spule der Klasse H

Température ambiante, avec bobine classe H

Temperatura ambiente con bobina classe H

Temperatura ambiente com bobina de classe H

- 10 °C

+ 80 °C

OPZIONI SU RICHIESTA - OPTIONS ON REQUEST - OPTIONEN AUF ANFRAGE - OPTIONS SUR DEMANDE - OPCIONES BAJO PEDIDO - OPÇÕES SOB ENCOMENDA

Comando manuale - Manual override - Handbetätigung
 Commande manuelle - Comando manual - Acionamento manual

Sede in Acciaio Inox - Stainless Steel seat - Sitz aus Edestahl
 Siège en Acier Inoxydable - Asiento en Acero Inoxidable - Sede in Acciaio Inox

Versione idonea per utilizzo con ossigeno industriale - Version suitable for use with industrial oxygen - Version für industrie sauerstoff
 Version adaptée à une utilisation avec de l'oxygène industriel - Versión idónea para el uso con oxígeno industrial - Versão adequada para utilização com oxigênio industrial

Trattamento superficiale di nichelatura chimica componenti in ottone - Chemical nickel plating treatment for brass components - Chemische vernickelung Messingkomponenten
 Traitement surface nickelage chimique composants laiton - Tratamiento superficial niquelatura química componentes latón - Tratamento superficial niquelação química componentes latão

Valvola con certificazione VDE in abbinamento a bobina - VDE-certified valve with associated coil - VDE zertifiziertes ventil mit zugeordneter spule - Vanne certifiée VDE avec bobine associée -
 Válvula certificada VDE con bobina asociada - Válvula certificada VDE com bobina associada

Code	Materiale tenute Sealing materials Dichtungswerkstoffe Matériau joint Material Juntas Material das vedações	Conessioni Port size Verbindungen Connexions Conexiones Conexões	Ø Orifizio Ø Orifice Ø Dn Ø Passage Ø Orificio Ø Orificio	Viscosità Viscosity Viskosität Viscosité Viscosidad Viscosidade	Kv	Pressione differenziale (OPD) Differential pressure (OPD) Differenzdruck (OPD) Pression différentielle (OPD) Presión diferencial (OPD) Pressão diferencial (OPD)			Potenza Power Leistung Puissance Potência		Bobine Coils Spulen Bobines Bobinas Bobinas	
						Bar	DC	AC	W	VA	Size	Serie
		ISO 228	mm	cSt	m³/h	Min	Max DC	Max AC				
02F 03 1 01 _ 0	N = NBR -10°C +90°C	1/4"	1	25	0.04	0	100	100	8	14	30	C - SOL20
							100	100	14	21	30	D - SOL20
	100						100	22	31	36	E - SOL21	
02F 03 1 15 _ 0	F = NBR ❄️ -40°C +90°C		1.5	25	0.06	0	50	50	8	14	30	C - SOL20
							50	50	14	21	30	D - SOL20
							50	50	22	31	36	E - SOL21
02F 03 1 02 _ 0	V = FKM -10°C +140°C		2	37	0.10	0	35	50	8	14	30	C - SOL20
							50	50	14	21	30	D - SOL20
							50	50	22	31	36	E - SOL21
02F 03 1 25 _ 0	E = EPDM -10°C +140°C		2.5	53	0.15	0	21	35	8	14	30	C - SOL20
		30					40	14	21	30	D - SOL20	
		45					50	22	31	36	E - SOL21	
02F 03 1 03 _ 0	P = PTFE * -40°C +180°C	3	53	0.21	0	10	21	8	14	30	C - SOL20	
						25	30	14	21	30	D - SOL20	
						40	40	22	31	36	E - SOL21	
02F 03 1 04 _ 0	R = RUBY * -40°C +180°C	4	53	0.35	0	3	10	8	14	30	C - SOL20	
						6	14	14	21	30	D - SOL20	
						15	20	22	31	36	E - SOL21	
02F 03 1 05 _ 0	C = CR -35°C +100°C	5	53	0.51	0	1.4	5	8	14	30	C - SOL20	
						2.2	7	14	21	30	D - SOL20	
						5.5	10	22	31	36	E - SOL21	
02F 03 1 64 _ 0		6.4	53	0.65	0	-	2.5	-	14	30	C - SOL20	
	1.5					3.5	14	21	30	D - SOL20		
	4.5					5	22	31	36	E - SOL21		

① **Selezionare tenuta - Select seal material - Wählen Sie das Dichtungsmaterial aus - Sélectionner matériau d'étanchéité - Seleccionar material sellado - Seleccionar material de vedação**

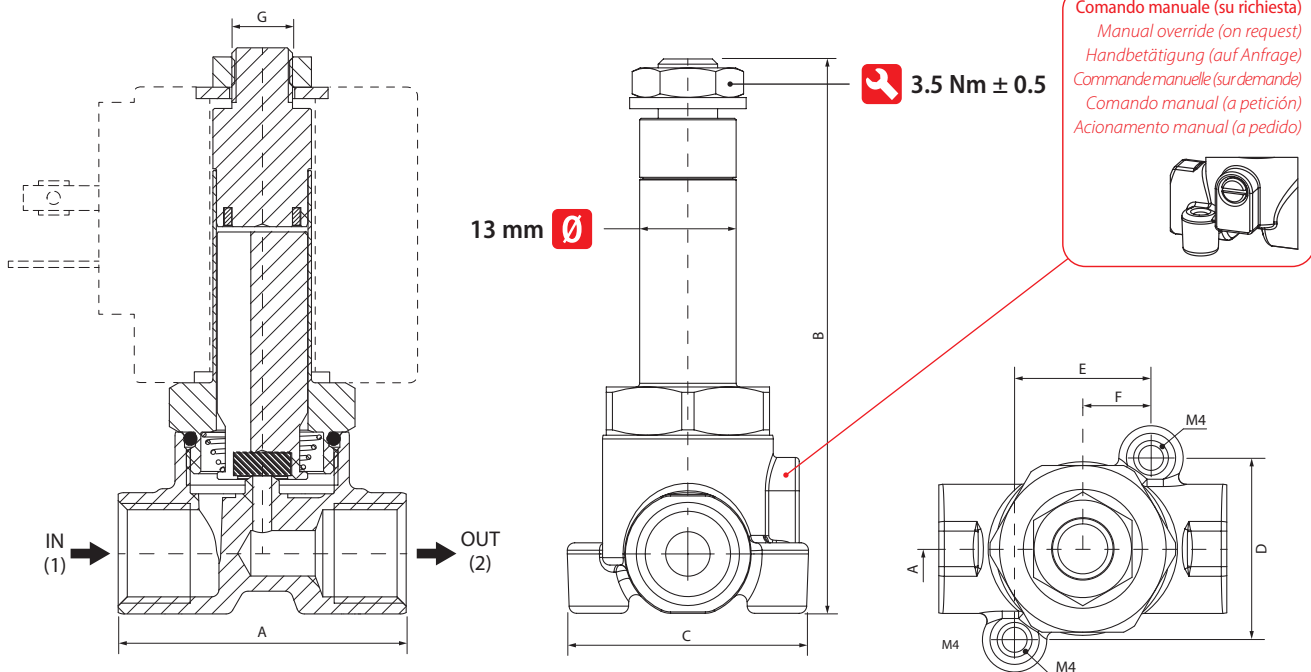
EPDM - P max = 2.5 bar / PTFE & RUBY - P max = 10 bar: Con vapore - With steam - Mit dampf - Avec vapeur - Con vapor - Com vapor

PTFE & RUBY = max 300 cm³/h: Perdita ammessa - Allowable leakage - Zulässige leakage - Fuite admissible - Fuga permitida - Vazamento permitido

* **RUBY - max Ø 2.5 mm: Solo sede Inox - Only with stainless steel seat - Nur mit edelstahlsitz - Avec siège inox - Solo con asiento inox - Apenas com assento em aço**

* **PTFE - max Ø 4 mm: Solo sede Inox - Only with stainless steel seat - Nur mit edelstahlsitz - Avec siège inox - Solo con asiento inox - Apenas com assento em aço**

Bobina non inclusa - Coil not included - Magnetspulen separat - Bobines non incluse - Bobina no incluida - Bobinas não incluidas



Size	A	B	C	D	E	F	G
1/4"	38	74.7	32.5	24	18	9	M8 x 1

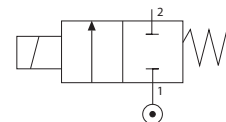
SERIE 02F

ELETTOVALVOLE AD AZIONAMENTO DIRETTO CON CORPO IN OTTONE

DIRECT ACTUATED SOLENOID VALVES WITH BRASS BODY
 MAGNETVENTILE MIT DIREKTER BETÄTIGUNG MIT MESSINGGEHÄUSE
 ÉLECTROVANNES À COMMANDE DIRECTE AVEC CORPS EN LAITON
 ELECTROVÁLVULAS DE ACCIONAMIENTO DIRECTO CON CUERPO DE LATÓN
 ELETROVÁLVULAS DE ACIONAMENTO DIRETO COM CORPO DE LATÃO

2/2 NC

3/8" - 1/2"



Materiali e Componenti	IT	Materials and Components	GB	Materialien und Komponenten	DE
1 Corpo: Ottone CW614N		1 Body: Brass CW614N		1 Körper: Messing CW614N	
2 Tenute: NBR - NBR - EPDM - FKM - PTFE - CR		2 Seals: NBR - NBR - EPDM - FKM - PTFE - CR		2 Dichtung: NBR - NBR - EPDM - FKM - PTFE - CR	
3 Tubo guida: Acciaio Inox		3 Armature tube: Stainless steel		3 Führungsrohr: Edelstahl	
4 Nucleo fisso e mobile: Acciaio Inox AISI 430FR		4 Fixed and mobile core: Stainless steel AISI 430FR		4 Kern: Edelstahl AISI 430FR	
5 Molle: Acciaio Inox		5 Springs: Stainless steel		5 Feder: Edelstahl	
Matériaux et Composants	FR	Materiales y componentes	ES	Materialis e Componentes	PT
1 Corps: Laiton CW614N		1 Cuerpo: Latón CW614N		1 Corpo: Latão CW614N	
2 Joints: NBR - NBR - EPDM - FKM - PTFE - CR		2 Juntas: NBR - NBR - EPDM - FKM - PTFE - CR		2 Vedações: NBR - NBR - EPDM - FKM - PTFE - CR	
3 Tube de pilotage: Acier inox		3 Tubo guía: Acero inox		3 Tubo Guia: Aço-inox	
4 Noyau: Acier inox AISI 430FR		4 Núcleo fijo y móvil: Acero inox AISI 430FR		4 Núcleo fixo e móvel I: Aço-inox AISI 430FR	
5 Ressort: Acier inox		5 Muelle: Acero inox		5 Mola: Aço-inox	



Pressione massima ammissibile

Maximum allowable pressure

Max. Betriebsdruck

Pression de service max.

Presión máxima admisible

Pressão máxima admissível

50 bar



Tabella compatibilità e materiali

Compatibility and materials table

Beständigkeitsübersicht

Tableau de compatibilité des matériaux

Tabla de compatibilidad de materiales

Tabela de compatibilidade química

Pag. 0.21 - 0.22



Temperatura ambiente con bobine in classe H

Room temperature with coil class H

Raumtemperatur, mit Spule der Klasse H

Température ambiante, avec bobine classe H

Temperatura ambiente con bobina classe H

Temperatura ambiente com bobina de classe H

**- 10 °C
+ 80 °C**

OPZIONI SU RICHIESTA - OPTIONS ON REQUEST - OPTIONEN AUF ANFRAGE - OPTIONS SUR DEMANDE - OPCIONES BAJO PEDIDO - OPÇÕES SOB ENCOMENDA

Versione idonea per utilizzo con ossigeno industriale - Version suitable for use with industrial oxygen - Version für industrie sauerstoff
 Version adaptée à une utilisation avec de l'oxygène industriel - Versión idónea para el uso con oxígeno industrial - Versão adequada para utilização com oxigênio industrial

Trattamento superficiale di nichelatura chimica componenti in ottone - Chemical nickel plating treatment for brass components - Chemische vernickelung Messingkomponenten
 Traitement surface nickelage chimique composants laiton - Tratamiento superficial niquelatura química componentes latón - Tratamento superficial niquelação química componentes latão

Valvola con certificazione VDE in abbinamento a bobina - VDE-certified valve with associated coil - VDE zertifiziertes ventil mit zugeordneter spule - Vanne certifiée VDE avec bobine associée -
 Válvula certificada VDE con bobina asociada - Válvula certificada VDE com bobina associada

Code	Materiale tenute Sealing materials Dichtungswerkstoffe Matériau joint Material juntas Material das vedações	Conessioni Port size Verbindungen Connexions Conexiones Conexões	Ø Orifizio Ø Orifice Ø Dn Ø Passage Ø Orificio Ø Orificio	Viscosità Viscosity Viskosität Viscosité Viscosidad Viscosidade	Kv	Pressione differenziale (OPD) Differential pressure (OPD) Differenzdruck (OPD) Pression différentielle (OPD) Presión diferencial (OPD) Pressão diferencial (OPD)			Potenza Power Leistung Puissance Potencia		Bobine Coils Spulen Bobines Bobinas Bobinas								
						Min	Max DC	Max AC	DC W	AC VA	Size mm	Serie C - pag. 19.5 D - pag. 19.6 E - pag. 19.7							
		ISO 228	mm	cSt	m³/h	Bar													
02F 04 1 03 _ 0	① N = NBR -10°C +90°C	3/8"	3	53	0.21	0	10	21	8	14	30	C - SOL20							
25							30	14					21	30	D - SOL20				
40							40									22	31	36	E - SOL21
3							10												
6	14	14	21	30	D - SOL20														
15	20					22	31	36	E - SOL21										
1.4	5									8	14	30	C - SOL20						
2.2	7													14	21	30	D - SOL20		
5.5	10	22	31	36	E - SOL21														
-	2.5					-	14	30	C - SOL20										
1.5	3.5									14	21	30	D - SOL20						
4.5	5													22	31	36	E - SOL21		
10	21	8	14	30	C - SOL20														
25	30					14	21	30	D - SOL20										
40	40									22	31	36	E - SOL21						
3	10													8	14	30	C - SOL20		
6	14	14	21	30	D - SOL20														
15	20					22	31	36	E - SOL21										
1.4	5									8	14	30	C - SOL20						
2.2	7													14	21	30	D - SOL20		
5.5	10	22	31	36	E - SOL21														
-	2.5					-	14	30	C - SOL20										
1.5	3.5									14	21	30	D - SOL20						
4.5	5													22	31	36	E - SOL21		

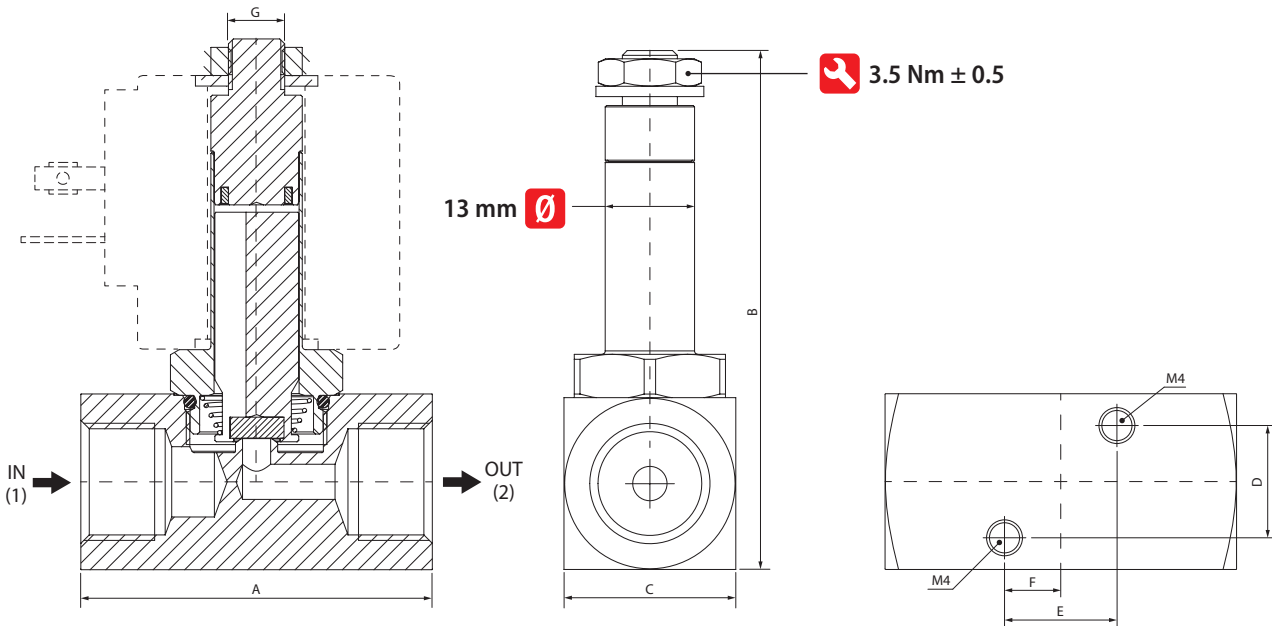
① Selezionare tenuta - Select seal material - Wählen Sie das Dichtungsmaterial aus - Sélectionner matériau d'étanchéité - Seleccionar material sellado - Seleccionar material de vedação

EPDM - P max = 2.5 bar / PTFE - P max = 10 bar: Con vapore - With steam - Mit dampf - Avec vapeur - Con vapor - Com vapor

PTFE = max 300 cm³/h: Perdita ammessa - Allowable leakage - Zulässige leakage - Fuite admissible - Fuga permitida - Vazamento permitido

* PTFE - max Ø 4 mm: Solo sede Inox - Only with stainless steel seat - Nur mit edelstahlsitz - Avec siège inox - Solo con asiento inox - Apenas com assento em aço

Bobina non inclusa - Coil not included - Magnetspulen separat - Bobines non incluse - Bobina no incluida - Bobinas não incluídas



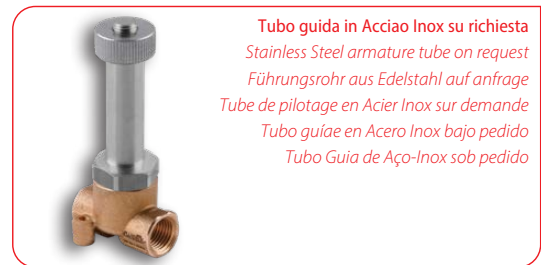
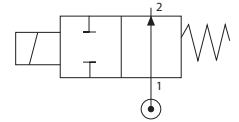
Size	A	B	C	D	E	F	G
3/8"	50	75.5	25	16	16	8	M8 x 1
1/2"	58	75.5	25	16	16	8	M8 x 1

SERIE 02F

ELETTROVALVOLE AD AZIONAMENTO DIRETTO CON CORPO IN OTTONE

DIRECT ACTUATED SOLENOID VALVES WITH BRASS BODY
 MAGNETVENTILE MIT DIREKTER BETÄTIGUNG MIT MESSINGGEHÄUSE
 ÉLECTROVANNES À COMMANDE DIRECTE AVEC CORPS EN LAITON
 ELECTROVÁLVULAS DE ACCIONAMIENTO DIRECTO CON CUERPO DE LATÓN
 ELETTROVÁLVULAS DE ACIONAMENTO DIRETO COM CORPO DE LATÃO

2/2 NO **1/4"**



Tubo guida in Acciaio Inox su richiesta
 Stainless Steel armature tube on request
 Führungsrohr aus Edelstahl auf anfrage
 Tube de pilotage en Acier Inox sur demande
 Tubo guía en Acero Inox bajo pedido
 Tubo Guia de Aço-Inox sob pedido

Materiali e Componenti	IT	Materials and Components	GB	Materialien und Komponenten	DE
1 Corpo: Ottone CW617N 2 Tenute: NBR - EPDM - FKM - CR 3 Tubo guida: Ottone 4 Nucleo fisso e mobile: Acciaio Inox AISI 430FR 5 Molle: Acciaio Inox		1 Body: Brass CW617N 2 Seals: NBR - EPDM - FKM - CR 3 Armature tube: Brass 4 Fixed and mobile core: Stainless steel AISI 430FR 5 Springs: Stainless steel		1 Körper: Messing CW617N 2 Dichtung: NBR - EPDM - FKM - CR 3 Führungsrohr: Messing 4 Kern: Edelstahl AISI 430FR 5 Feder: Edelstahl	
Matériaux et Composants	FR	Materiales y componentes	ES	Materialis e Componentes	PT
1 Corps: Laiton CW617N 2 Joints: NBR - EPDM - FKM - CR 3 Tube de pilotage: Laiton 4 Noyau: Acier inox AISI 430FR 5 Ressort: Acier inox		1 Cuerpo: Latón CW617N 2 Juntas: NBR - EPDM - FKM - CR 3 Tubo guía: Latón 4 Núcleo fijo y móvil: Acero inox AISI 430FR 5 Muelle: Acero inox		1 Corpo: Latão CW617N 2 Vedações: NBR - EPDM - FKM - CR 3 Tubo Guia: Latão 4 Núcleo fixo e móvel I: Aço-inox AISI 430FR 5 Mola: Aço-inox	



Pressione massima ammissibile
 Maximum allowable pressure
 Max. Betriebsdruck
 Pression de service max.
 Presión máxima admisible
 Pressão máxima admissível

50 bar



Tabella compatibilità e materiali
 Compatibility and materials table
 Beständigkeitsübersicht
 Tableau de compatibilité des matériaux
 Tabla de compatibilidad de materiales
 Tabela de compatibilidade química

Pag. 0.21 - 0.22



Temperatura ambiente con bobine in classe H
 Room temperature with coil class H
 Raumtemperatur, mit Spule der Klasse H
 Température ambiante, avec bobine classe H
 Temperatura ambiente con bobina classe H
 Temperatura ambiente com bobina de classe H

**- 10 °C
 + 80 °C**

OPZIONI SU RICHIESTA - OPTIONS ON REQUEST - OPTIONEN AUF ANFRAGE - OPTIONS SUR DEMANDE - OPCIONES BAJO PEDIDO - OPÇÕES SOB ENCOMENDA

Tubo guida in Acciaio Inox - Stainless Steel armature tube - Führungsrohr aus Edelstahl
 Tube de pilotage en Acier Inox - Tubo guía en Acero Inox - Tubo Guia de Aço-Inox

Versione idonea per utilizzo con ossigeno industriale - Version suitable for use with industrial oxygen - Version für industrie sauerstoff
 Version adaptée à une utilisation avec de l'oxygène industriel - Versión idónea para el uso con oxígeno industrial - Versão adequada para utilização com oxigênio industrial

Trattamento superficiale di nichelatura chimica componenti in ottone - Chemical nickel plating treatment for brass components - Chemische vernickelung Messingkomponenten
 Traitement surface nickelage chimique composants laiton - Tratamiento superficial niquelatura química componentes latón - Tratamento superficial niquelação química componentes latão

Valvola con certificazione VDE in abbinamento a bobina - VDE-certified valve with associated coil - VDE zertifiziertes ventil mit zugeordneter spule - Vanne certifiée VDE avec bobine associée -
 Válvula certificada VDE con bobina asociada - Válvula certificada VDE com bobina associada

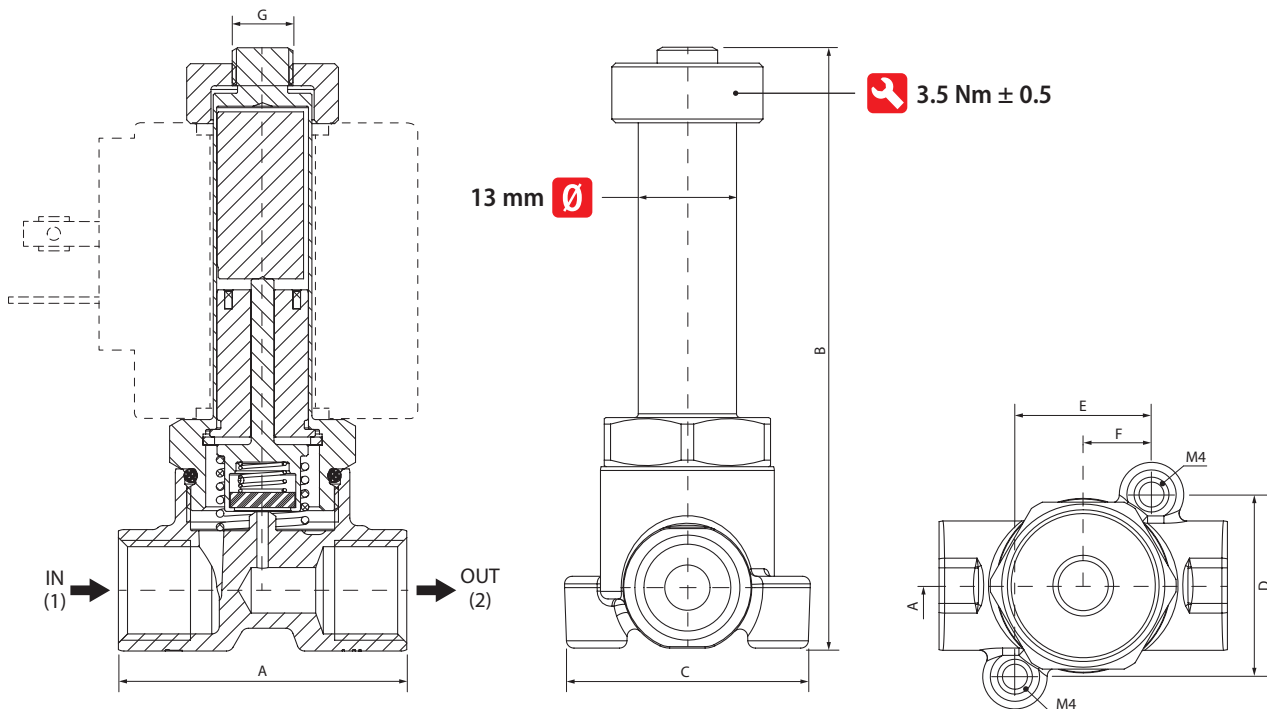
Code	Materiale tenute Sealing materials Dichtungswerkstoffe Matériau joint Material juntas Material das vedações	Conessioni Port size Verbindungen Connexions Conexiones Conexões	Ø Orifizio Ø Orifice Ø Dn Ø Passage Ø Orificio Ø Orificio	Viscosità Viscosity Viskosität Viscosité Viscosidad Viscosidade	Kv	Pressione differenziale (OPD) Differential pressure (OPD) Differenzdruck (OPD) Pression différentielle (OPD) Presión diferencial (OPD) Pressão diferencial (OPD)		
						Min	Max DC	Max AC
		ISO 228	mm	cSt	m ³ /h	Bar		
02F 03 2 15 _ 0	N = NBR -10°C +90°C	1/4"	1.5	25	0.06	0	-	25
02F 03 2 02 _ 0							25	25
02F 03 2 25 _ 0							25	25
02F 03 2 03 _ 0							-	18
02F 03 2 04 _ 0							18	18
02F 03 2 05 _ 0							18	18
	V = FKM -10°C +140°C	1/4"	2.5	53	0.15	0	-	12
							12	12
							12	12
							-	7.5
							7.5	7.5
							7.5	7.5
	E = EPDM -10°C +140°C	1/4"	3	53	0.21	0	-	4.5
							4.5	4.5
							4.5	4.5
							-	2.5
							2.5	2.5
							2.5	2.5
	C = CR -35°C +100°C	1/4"	4	53	0.35	0	-	2.5
							2.5	2.5
							2.5	2.5
							-	2.5
							2.5	2.5
							2.5	2.5

Potenza Power Leistung Puissance Potencia		Bobine Coils Spulen Bobines Bobinas	
DC	AC	Size	Serie
W	VA	mm	C - pag. 19.5 D - pag. 19.6 E - pag. 19.7
-	14	30	C - SOL20
14	21	30	D - SOL20
22	31	36	E - SOL21
-	14	30	C - SOL20
14	21	30	D - SOL20
22	31	36	E - SOL21
-	14	30	C - SOL20
14	21	30	D - SOL20
22	31	36	E - SOL21
-	14	30	C - SOL20
14	21	30	D - SOL20
22	31	36	E - SOL21
-	14	30	C - SOL20
14	21	30	D - SOL20
22	31	36	E - SOL21

① Selezionare tenuta - Select seal material - Wählen Sie das Dichtungsmaterial aus - Sélectionner matériau d'étanchéité - Seleccionar material sellado - Seleccionar material de vedação

EPDM - P max= 2.5 bar: Con vapore - With steam - Mit dampf - Avec vapeur - Con vapor - Com vapor

Bobina non inclusa - Coil not included - Magnetspulen separat - Bobines non incluse - Bobina no incluida - Bobinas não incluidas



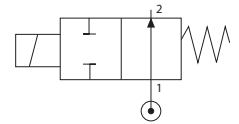
Size	A	B	C	D	E	F	G
1/4"	38	79.5	32.5	24	18	9	M8 x 1

SERIE 02F

ELETTROVALVOLE AD AZIONAMENTO DIRETTO CON CORPO IN OTTONE

DIRECT ACTUATED SOLENOID VALVES WITH BRASS BODY
 MAGNETVENTILE MIT DIREKTER BETÄTIGUNG MIT MESSINGGEHÄUSE
 ÉLECTROVANNES À COMMANDE DIRECTE AVEC CORPS EN LAITON
 ELECTROVÁLVULAS DE ACCIONAMIENTO DIRECTO CON CUERPO DE LATÓN
 ELETTROVÁLVULAS DE ACIONAMENTO DIRETO COM CORPO DE LATÃO

2/2 NO **3/8" - 1/2"**



Tubo guida in Acciaio Inox su richiesta
 Stainless Steel armature tube on request
 Führungsrohr aus Edelstahl auf anfrage
 Tube de pilotage en Acier Inox sur demande
 Tubo guiae en Acero Inox bajo pedido
 Tubo Guia de Aço-Inox sob pedido

Materiali e Componenti	IT	Materials and Components	GB	Materialien und Komponenten	DE
1 Corpo: Ottone CW614N 2 Tenute: NBR - EPDM - FKM - CR 3 Tubo guida: Ottone 4 Nucleo fisso e mobile: Acciaio Inox AISI 430FR 5 Molle: Acciaio Inox		1 Body: Brass CW614N 2 Seals: NBR - EPDM - FKM - CR 3 Armature tube: Brass 4 Fixed and mobile core: Stainless steel AISI 430FR 5 Springs: Stainless steel		1 Körper: Messing CW614N 2 Dichtung: NBR - EPDM - FKM - CR 3 Führungsrohr: Messing 4 Kern: Edelstahl AISI 430FR 5 Feder: Edelstahl	
Matériaux et Composants	FR	Materiales y componentes	ES	Materialis e Componentes	PT
1 Corps: Laiton CW614N 2 Joints: NBR - EPDM - FKM - CR 3 Tube de pilotage: Laiton 4 Noyau: Acier inox AISI 430FR 5 Ressort: Acier inox		1 Cuerpo: Latón CW614N 2 Juntas: NBR - EPDM - FKM - CR 3 Tubo guía: Latón 4 Núcleo fijo y móvil: Acero inox AISI 430FR 5 Muelle: Acero inox		1 Corpo: Latão CW614N 2 Vedações: NBR - EPDM - FKM - CR 3 Tubo Guia: Latão 4 Núcleo fixo e móvel I: Aço-inox AISI 430FR 5 Mola: Aço-inox	



Pressione massima ammissibile

- Maximum allowable pressure
- Max. Betriebsdruck
- Pression de service max.
- Presión máxima admisible
- Pressão máxima admissível

50 bar



Tabella compatibilità e materiali

- Compatibility and materials table
- Beständigkeitsübersicht
- Tableau de compatibilité des matériaux
- Tabla de compatibilidad de materiales
- Tabela de compatibilidade química

Pag. 0.21 - 0.22



Temperatura ambiente con bobine in classe H

- Room temperature with coil class H
- Raumtemperatur, mit Spule der Klasse H
- Température ambiante, avec bobine classe H
- Temperatura ambiente con bobina classe H
- Temperatura ambiente com bobina de classe H

**- 10 °C
+ 80 °C**

OPZIONI SU RICHIESTA - OPTIONS ON REQUEST - OPTIONEN AUF ANFRAGE - OPTIONS SUR DEMANDE - OPCIONES BAJO PEDIDO - OPÇÕES SOB ENCOMENDA

Tubo guida in Acciaio Inox - Stainless Steel armature tube - Führungsrohr aus Edelstahl
 Tube de pilotage en Acier Inox - Tubo guiae en Acero Inox - Tubo Guia de Aço-Inox

Versione idonea per utilizzo con ossigeno industriale - Version suitable for use with industrial oxygen - Version für industrie sauerstoff
 Version adaptée à une utilisation avec de l'oxygène industriel - Versión idónea para el uso con oxígeno industrial - Versão adequada para utilização com oxigênio industrial

Trattamento superficiale di nichelatura chimica componenti in ottone - Chemical nickel plating treatment for brass components - Chemische vernickelung Messingkomponenten
 Traitement surface nickelage chimique composants laiton - Tratamiento superficial niquelatura química componentes latón - Tratamento superficial niquelacão química componentes latão

Valvola con certificazione VDE in abbinamento a bobina - VDE-certified valve with associated coil - VDE zertifiziertes ventil mit zugeordneter spule - Vanne certifiée VDE avec bobine associée -
 Válvula certificada VDE con bobina asociada - Válvula certificada VDE com bobina associada

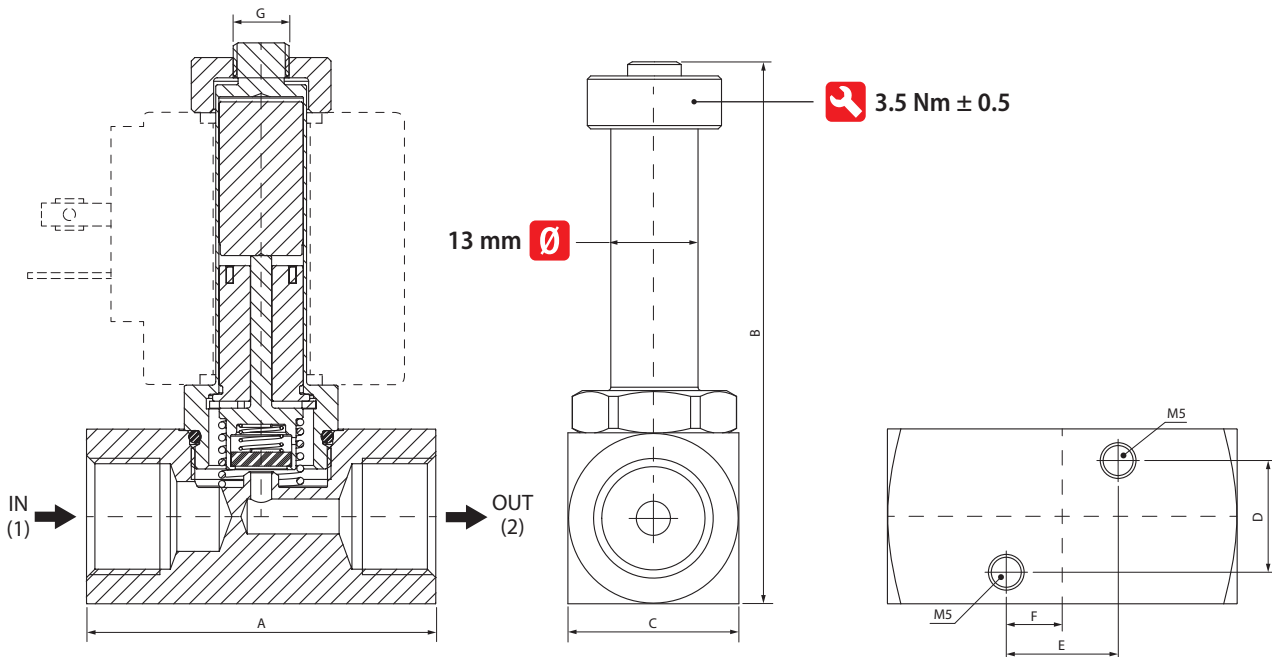
Code	Materiale tenute Sealing materials Dichtungswerkstoffe Matériau joint Material juntas Material das vedações	Conessioni Port size Verbindungen Connexions Conexiones Conexões	Ø Orifizio Ø Orifice Ø Dn Ø Passage Ø Orificio Ø Orificio	Viscosità Viscosity Viskosität Viscosité Viscosidad Viscosidade	Kv	Pressione differenziale (OPD) Differential pressure (OPD) Differenzdruck (OPD) Pression différentielle (OPD) Presión diferencial (OPD) Pressão diferencial (OPD)		
						Min	Max DC	Max AC
		ISO 228	mm	cSt	m ³ /h	Bar		
02F 04 2 03 _ 0	N = NBR -10°C +90°C	3/8"	3	53	0.21	0	-	7.5
							7.5	7.5
							7.5	7.5
02F 04 2 04 _ 0	V = FKM -10°C +140°C	3/8"	4	53	0.35	0	-	4.5
							4.5	4.5
							4.5	4.5
02F 04 2 05 _ 0	E = EPDM -10°C +140°C	3/8"	5	53	0.51	0	-	2.5
							2.5	2.5
							2.5	2.5
02F 05 2 03 _ 0	C = CR -35°C +100°C	1/2"	3	53	0.21	0	-	7.5
							7.5	7.5
							7.5	7.5
02F 05 2 04 _ 0	C = CR -35°C +100°C	1/2"	4	53	0.35	0	-	4.5
							4.5	4.5
							4.5	4.5
02F 05 2 05 _ 0	C = CR -35°C +100°C	1/2"	5	53	0.51	0	-	2.5
							2.5	2.5
							2.5	2.5

Potenza Power Leistung Puissance Potencia		Bobine Coils Spulen Bobines Bobinas	
DC	AC	Size	Serie
W	VA	mm	C - pag. 19.5 D - pag. 19.6 E - pag. 19.7
-	14	30	C - SOL20
14	21	30	D - SOL20
22	31	36	E - SOL21
-	14	30	C - SOL20
14	21	30	D - SOL20
22	31	36	E - SOL21
-	14	30	C - SOL20
14	21	30	D - SOL20
22	31	36	E - SOL21
-	14	30	C - SOL20
14	21	30	D - SOL20
22	31	36	E - SOL21
-	14	30	C - SOL20
14	21	30	D - SOL20
22	31	36	E - SOL21

① **Selezionare tenuta** - Select seal material - Wählen Sie das Dichtungsmaterial aus - Sélectionner matériau d'étanchéité - Seleccionar material sellado - Seleccionar material de vedação

EPDM - P max= 2.5 bar: Con vapore - With steam - Mit dampf - Avec vapeur - Con vapor - Com vapor

Bobina non inclusa - Coil not included - Magnetspulen separat - Bobines non incluse - Bobina no incluida - Bobinas não incluidas



Size	A	B	C	D	E	F	G
3/8"	50	80.3	25	16	16	8	M8 x 1
1/2"	58	80.3	25	16	16	8	M8 x 1

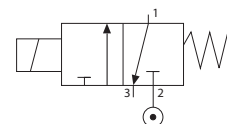
SERIE 02F

ELETTROVALVOLE AD AZIONAMENTO DIRETTO CON CORPO IN OTTONE

DIRECT ACTUATED SOLENOID VALVES WITH BRASS BODY
 MAGNETVENTILE MIT DIREKTER BETÄTIGUNG MIT MESSINGGEHÄUSE
 ÉLECTROVANNES À COMMANDE DIRECTE AVEC CORPS EN LAITON
 ELECTROVÁLVULAS DE ACCIONAMIENTO DIRECTO CON CUERPO DE LATÓN
 ELETRÓVALVULAS DE ACIONAMENTO DIRETO COM CORPO DE LATÃO

3/2 NC

1/4"



Materiali e Componenti	IT	Materials and Components	GB	Materialien und Komponenten	DE
1 Corpo: Ottone CW617N		1 Body: Brass CW617N		1 Körper: Messing CW617N	
2 Tenute: NBR - EPDM - FKM - CR		2 Seals: NBR - EPDM - FKM - CR		2 Dichtung: NBR - EPDM - FKM - CR	
3 Tubo guida: Acciaio Inox		3 Armature tube: Stainless steel		3 Führungsrohr: Edelstahl	
4 Nucleo fisso e mobile: Acciaio Inox AISI 430FR		4 Fixed and mobile core: Stainless steel AISI 430FR		4 Kern: Edelstahl AISI 430FR	
5 Molle: Acciaio Inox		5 Springs: Stainless steel		5 Feder: Edelstahl	
Matériaux et Composants	FR	Materiales y componentes	ES	Materialis e Componentes	PT
1 Corps: Laiton CW617N		1 Cuerpo: Latón CW617N		1 Corpo: Latão CW617N	
2 Joints: NBR - EPDM - FKM - CR		2 Juntas: NBR - EPDM - FKM - CR		2 Vedações: NBR - EPDM - FKM - CR	
3 Tube de pilotage: Acier inox		3 Tubo guía: Acero inox		3 Tubo Guia: Aço-inox	
4 Noyau: Acier inox AISI 430FR		4 Núcleo fijo y móvil: Acero inox AISI 430FR		4 Núcleo fixo e móvel I: Aço-inox AISI 430FR	
5 Ressort: Acier inox		5 Muelle: Acero inox		5 Mola: Aço-inox	



Pressione massima ammissibile
 Maximum allowable pressure
 Max. Betriebsdruck
 Pression de service max.
 Presión máxima admisible
 Pressão máxima admissível

50 bar



Tabella compatibilità e materiali
 Compatibility and materials table
 Beständigkeitsübersicht
 Tableau de compatibilité des matériaux
 Tabla de compatibilidad de materiales
 Tabela de compatibilidade química

Pag. 0.21 - 0.22



Temperatura ambiente con bobine in classe H
 Room temperature with coil class H
 Raumtemperatur, mit Spule der Klasse H
 Température ambiante, avec bobine classe H
 Temperatura ambiente con bobina classe H
 Temperatura ambiente com bobina de classe H

**- 10 °C
 + 80 °C**

OPZIONI SU RICHIESTA - OPTIONS ON REQUEST - OPTIONEN AUF ANFRAGE - OPTIONS SUR DEMANDE - OPCIONES BAJO PEDIDO - OPÇÕES SOB ENCOMENDA

Comando manuale - Manual override - Handbetätigung
 Commande manuelle - Comando manual - Acionamento manual

Sede in Acciaio Inox - Stainless Steel seat - Sitz aus Edestahl
 Siège en Acier Inoxydable - Asiento en Acero Inoxidable - Sede in Acciaio Inox

Versione idonea per utilizzo con ossigeno industriale - Version suitable for use with industrial oxygen - Version für industrie sauerstoff
 Version adaptée à une utilisation avec de l'oxygène industriel - Versión idónea para el uso con oxígeno industrial - Versão adequada para utilização com oxigênio industrial

Trattamento superficiale di nichelatura chimica componenti in ottone - Chemical nickel plating treatment for brass components - Chemische vernickelung Messingkomponenten
 Traitement surface nickelage chimique composants laiton - Tratamiento superficial niquelatura química componentes latón - Tratamento superficial niquelação química componentes latão

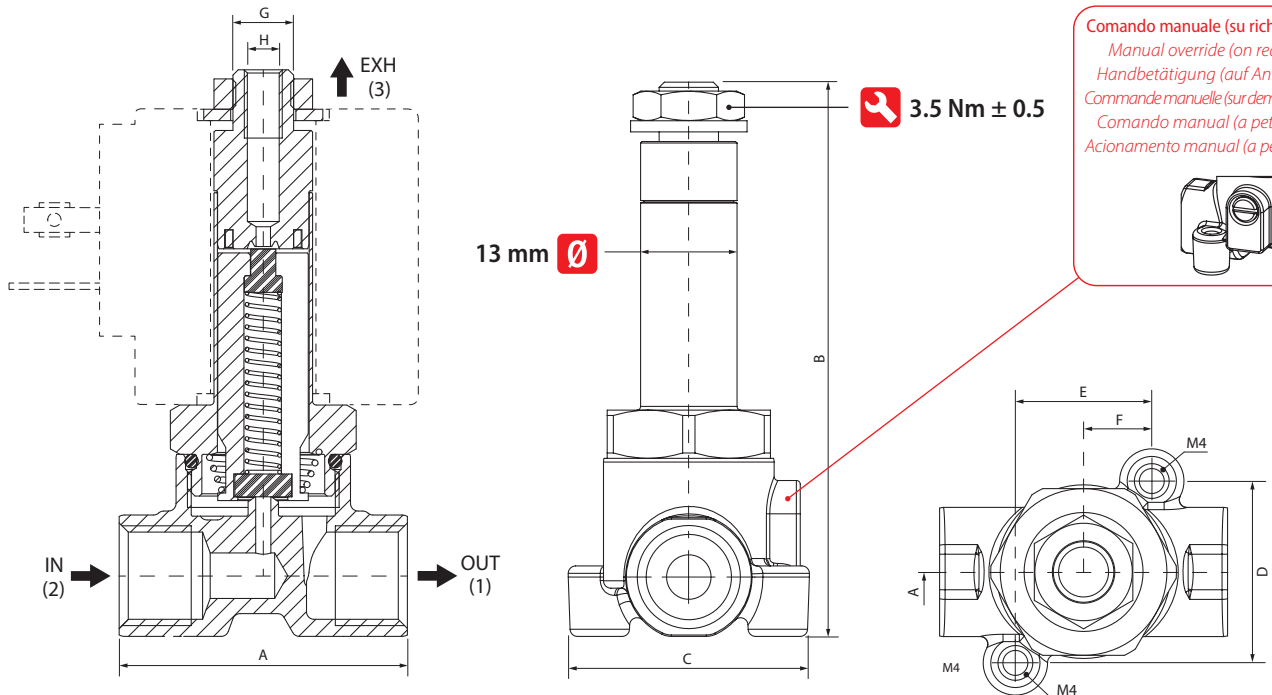
Valvola con certificazione VDE in abbinamento a bobina - VDE-certified valve with associated coil - VDE zertifiziertes ventil mit zugeordneter spule - Vanne certifiée VDE avec bobine associée -
 Válvula certificada VDE con bobina asociada - Válvula certificada VDE com bobina associada

Code	Materiale tenuta Sealing materials Dichtungswerkstoffe Matériau joint Material juntas Material das vedações	Conessioni Port size Verbindungen Conexions Conexões	Ø Orifizio Ø Orifice Ø Dn Ø Passage Ø Orificio		Viscosità Viscosity Viskosität Viscosité Viscosidad Viscosidade	Kv	Pressione differenziale (OPD) Differential pressure (OPD) Differenzdruck (OPD) Pression différentielle (OPD) Presión diferencial (OPD) Pressão diferencial (OPD)			Potenza Power Leistung Puissance Potencia		Bobine Coils Spulen Bobines Bobinas				
			mm				cSt	m³/h	Bar	DC	AC	Size	Serie			
		ISO 228	IN	EXH		IN	EXH	Min	Max DC	Max AC	W	VA	mm	C - pag. 19.5 D - pag. 19.6 E - pag. 19.7		
02F 03 3 15 _ 0	N = NBR -10°C +90°C	1/4"	1.5	1.9	25	0.06	0.10	0	25	25	8	14	30	C - SOL20		
25									25	14	21	30	D - SOL20			
02F 03 3 02 _ 0			2	1.9	37	0.10	0.10	0	18	18	8	14	30	C - SOL20		
18									18	14	21	30	D - SOL20			
02F 03 3 25 _ 0			V = FKM -10°C +140°C	1/4"	2.5	1.9	37	0.15	0.10	0	13	13	8	14	30	C - SOL20
13											13	14	21	30	D - SOL20	
13	13	22									31	36	E - SOL21			
02F 03 3 03 _ 0	E = EPDM -10°C +140°C	1/4"	3	1.9	37	0.21	0.10	0	10	10	8	14	30	C - SOL20		
10									10	14	21	30	D - SOL20			
10									10	22	31	36	E - SOL21			
02F 03 3 04 _ 0	C = CR -35°C +100°C	1/4"	4	1.9	37	0.35	0.10	0	6	6	8	14	30	C - SOL20		
6									6	14	21	30	D - SOL20			
6									6	22	31	36	E - SOL21			
02F 03 3 05 _ 0		1/4"	5	1.9	37	0.51	0.10	0	3	3	8	14	30	C - SOL20		
3									3	14	21	30	D - SOL20			
3									3	22	31	36	E - SOL21			

① **Selezionare tenuta - Select seal material - Wählen Sie das Dichtungsmaterial aus - Sélectionner matériau d'étanchéité - Seleccionar material sellado - Seleccionar material de vedação**

EPDM - P max= 2.5 bar: Con vapore - With steam - Mit dampf - Avec vapeur - Con vapor - Com vapor

Bobina non inclusa - Coil not included - Magnetspulen separat - Bobines non incluse - Bobina no incluida - Bobinas não incluidas



Comando manuale (su richiesta)
Manual override (on request)
Handbetätigung (auf Anfrage)
Commande manuelle (sur demande)
Comando manual (a petición)
Acionamento manual (a pedido)

Size	A	B	C	D	E	F	G	H
1/4"	38	74.7	32.5	24	18	9	M8 x 1	M5

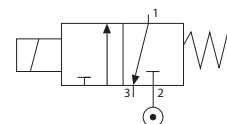
SERIE 02F

ELETTRIVALVOLE AD AZIONAMENTO DIRETTO CON CORPO IN OTTONE

DIRECT ACTUATED SOLENOID VALVES WITH BRASS BODY
 MAGNETVENTILE MIT DIREKTER BETÄTIGUNG MIT MESSINGGEHÄUSE
 ÉLECTROVANNES À COMMANDE DIRECTE AVEC CORPS EN LAITON
 ELECTROVÁLVULAS DE ACCIONAMIENTO DIRECTO CON CUERPO DE LATÓN
 ELETROVÁLVULAS DE ACIONAMENTO DIRETO COM CORPO DE LATÃO

3/2 NC

3/8" - 1/2"



Materiali e Componenti	IT	Materials and Components	GB	Materialien und Komponenten	DE
1 Corpo: Ottone CW614N		1 Body: Brass CW614N		1 Körper: Messing CW614N	
2 Tenute: NBR - EPDM - FKM - CR		2 Seals: NBR - EPDM - FKM - CR		2 Dichtung: NBR - EPDM - FKM - CR	
3 Tubo guida: Acciaio Inox		3 Armature tube: Stainless steel		3 Führungsrohr: Edelstahl	
4 Nucleo fisso e mobile: Acciaio Inox AISI 430FR		4 Fixed and mobile core: Stainless steel AISI 430FR		4 Kern: Edelstahl AISI 430FR	
5 Molle: Acciaio Inox		5 Springs: Stainless steel		5 Feder: Edelstahl	
Matériaux et Composants	FR	Materiales y componentes	ES	Materialis e Componentes	PT
1 Corps: Laiton CW614N		1 Cuerpo: Latón CW614N		1 Corpo: Latão CW614N	
2 Joints: NBR - EPDM - FKM - CR		2 Juntas: NBR - EPDM - FKM - CR		2 Vedações: NBR - EPDM - FKM - CR	
3 Tube de pilotage: Acier inox		3 Tubo guía: Acero inox		3 Tubo Guia: Aço-inox	
4 Noyau: Acier inox AISI 430FR		4 Núcleo fijo y móvil: Acero inox AISI 430FR		4 Núcleo fixo e móvel I: Aço-inox AISI 430FR	
5 Ressort: Acier inox		5 Muelle: Acero inox		5 Mola: Aço-inox	



Pressione massima ammissibile
 Maximum allowable pressure
 Max. Betriebsdruck
 Pression de service max.
 Presión máxima admisible
 Pressão máxima admissível

50 bar



Tabella compatibilità e materiali
 Compatibility and materials table
 Beständigkeitsübersicht
 Tableau de compatibilité des matériaux
 Tabla de compatibilidad de materiales
 Tabela de compatibilidade química

Pag. 0.21 - 0.22



Temperatura ambiente con bobine in classe H
 Room temperature with coil class H
 Raumtemperatur, mit Spule der Klasse H
 Température ambiante, avec bobine classe H
 Temperatura ambiente con bobina classe H
 Temperatura ambiente com bobina de classe H

**- 10 °C
 + 80 °C**

OPZIONI SU RICHIESTA - OPTIONS ON REQUEST - OPTIONEN AUF ANFRAGE - OPTIONS SUR DEMANDE - OPCIONES BAJO PEDIDO - OPÇÕES SOB ENCOMENDA

Versione idonea per utilizzo con ossigeno industriale - Version suitable for use with industrial oxygen - Version für industrie sauerstoff
 Version adaptée à une utilisation avec de l'oxygène industriel - Versión idónea para el uso con oxígeno industrial - Versão adequada para utilização com oxigênio industrial

Trattamento superficiale di nichelatura chimica componenti in ottone - Chemical nickel plating treatment for brass components - Chemische vernickelung Messingkomponenten
 Traitement surface nickelage chimique composants laiton - Tratamiento superficial niquelatura química componentes latón - Tratamento superficial niquelização química componentes latão

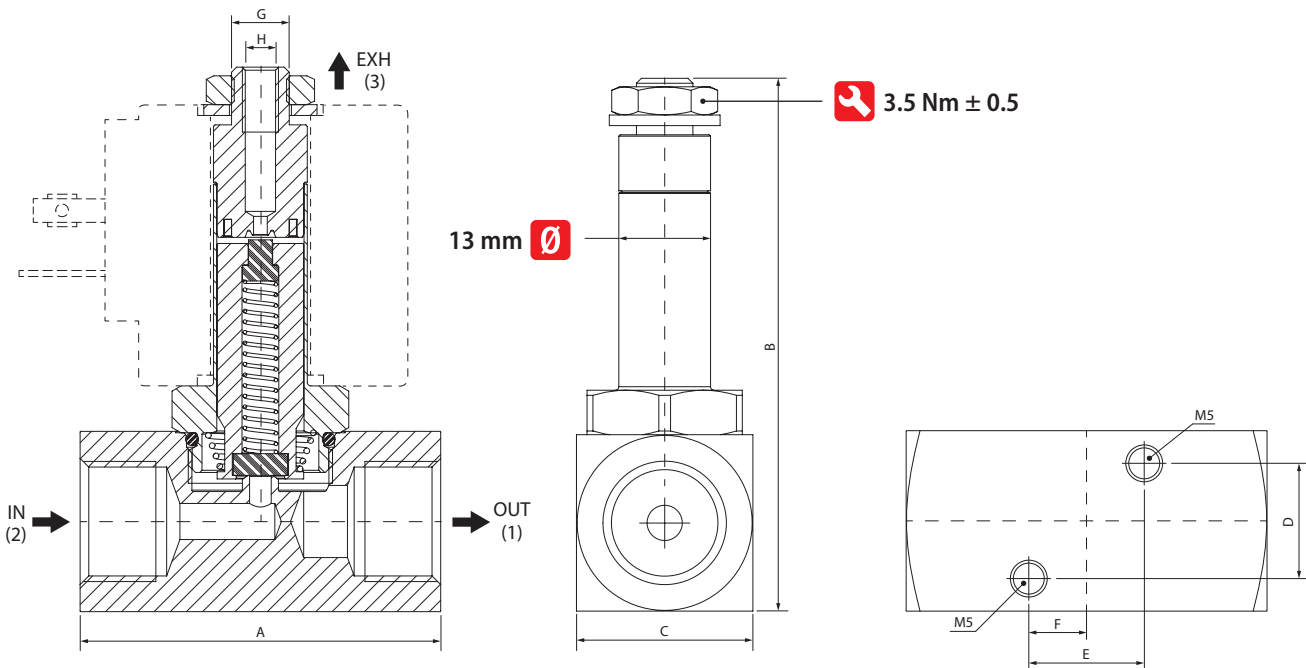
Valvola con certificazione VDE in abbinamento a bobina - VDE-certified valve with associated coil - VDE zertifiziertes ventil mit zugeordneter spule - Vanne certifiée VDE avec bobine associée -
 Válvula certificada VDE con bobina asociada - Válvula certificada VDE com bobina associada

Code	Materiale tenute Sealing materials Dichtungswerkstoffe Matériau joint Material juntas Material das vedações	Conessioni Port size Verbindungen Connexions Conexiones Conexões	Ø Orifizio Ø Orifice Ø Dn Ø Passage Ø Orificio Ø Orifício		Viscosità Viscosity Viskosität Viscosité Viscosidad Viscosidade	Kv	Pressione differenziale (OPD) Differential pressure (OPD) Differenzdruck (OPD) Pression différentielle (OPD) Presión diferencial (OPD) Pressão diferencial (OPD)			Potenza Power Leistung Puissance Potencia		Bobine Coils Spulen Bobines Bobinas Bobinas			
			mm	cSt			m ³ /h	Bar	DC	AC	Size	Serie C - pag. 19.5 D - pag. 19.6 E - pag. 19.7			
①	①	ISO 228	IN	EXH		IN	EXH	Min	Max DC	Max AC	W	VA	mm		
02F 04 3 03 _ 0	N = NBR -10°C +90°C	3/8"	3	1.9	37	0.21	0.10	0	10	10	8	14	30	C - SOL20	
10									10	14	21	30	D - SOL20		
10									10	22	31	36	E - SOL21		
02F 04 3 04 _ 0			5	1.9	37	0.35	0.10	0	6	6	8	14	30	C - SOL20	
6									6	14	21	30	D - SOL20		
6									6	22	31	36	E - SOL21		
02F 04 3 05 _ 0	V = FKM -10°C +140°C	1/2"	5	1.9	37	0.51	0.10	0	3	3	8	14	30	C - SOL20	
3									3	14	21	30	D - SOL20		
3									3	22	31	36	E - SOL21		
02F 05 3 03 _ 0	E = EPDM -10°C +140°C	1/2"	3	1.9	37	0.21	0.10	0	10	10	8	14	30	C - SOL20	
10									10	14	21	30	D - SOL20		
10									10	22	31	36	E - SOL21		
02F 05 3 04 _ 0			C = CR -35°C +100°C	5	1.9	37	0.35	0.10	0	6	6	8	14	30	C - SOL20
6										6	14	21	30	D - SOL20	
6										6	22	31	36	E - SOL21	
02F 05 3 05 _ 0	3	1.9	37	0.51	0.10	0	3	3	8	14	30	C - SOL20			
3							3	14	21	30	D - SOL20				
3							3	22	31	36	E - SOL21				

① Selezionare tenuta - Select seal material - Wählen Sie das Dichtungsmaterial aus - Sélectionner matériau d'étanchéité - Seleccionar material sellado - Seleccionar material de vedação

EPDM - P max= 2.5 bar: Con vapore - With steam - Mit dampf - Avec vapeur - Con vapor - Com vapor

Bobina non inclusa - Coil not included - Magnetspulen separat - Bobines non incluse - Bobina no incluida - Bobinas não incluidas



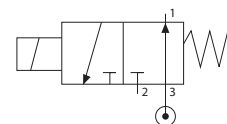
Size	A	B	C	D	E	F	G	H
3/8"	50	75.5	25	16	16	8	M8 x 1	M5
1/2"	58	75.5	25	16	16	8	M8 x 1	M5

SERIE 02F

ELETTROVALVOLE AD AZIONAMENTO DIRETTO CON CORPO IN OTTONE

DIRECT ACTUATED SOLENOID VALVES WITH BRASS BODY
 MAGNETVENTILE MIT DIREKTER BETÄTIGUNG MIT MESSINGGEHÄUSE
 ÉLECTROVANNES À COMMANDE DIRECTE AVEC CORPS EN LAITON
 ELECTROVÁLVULAS DE ACCIONAMIENTO DIRECTO CON CUERPO DE LATÓN
 ELETRÓVALVULAS DE ACIONAMENTO DIRETO COM CORPO DE LATÃO

3/2 NO **1/4"**



Materiali e Componenti	IT	Materials and Components	GB	Materialien und Komponenten	DE
1 Corpo: Ottone CW617N		1 Body: Brass CW617N		1 Körper: Messing CW617N	
2 Tenute: NBR - EPDM - FKM - CR		2 Seals: NBR - EPDM - FKM - CR		2 Dichtung: NBR - EPDM - FKM - CR	
3 Tubo guida: Acciaio Inox		3 Armature tube: Stainless steel		3 Führungsrohr: Edelstahl	
4 Nucleo fisso e mobile: Acciaio Inox AISI 430FR		4 Fixed and mobile core: Stainless steel AISI 430FR		4 Kern: Edelstahl AISI 430FR	
5 Molle: Acciaio Inox		5 Springs: Stainless steel		5 Feder: Edelstahl	
Matériaux et Composants	FR	Materiales y componentes	ES	Materialis e Componentes	PT
1 Corps: Laiton CW617N		1 Cuerpo: Latón CW617N		1 Corpo: Latão CW617N	
2 Joints: NBR - EPDM - FKM - CR		2 Juntas: NBR - EPDM - FKM - CR		2 Vedações: NBR - EPDM - FKM - CR	
3 Tube de pilotage: Acier inox		3 Tubo guía: Acero inox		3 Tubo Guia: Aço-inox	
4 Noyau: Acier inox AISI 430FR		4 Núcleo fijo y móvil: Acero inox AISI 430FR		4 Núcleo fixo e móvel I: Aço-inox AISI 430FR	
5 Ressort: Acier inox		5 Muelle: Acero inox		5 Mola: Aço-inox	



Pressione massima ammissibile
 Maximum allowable pressure
 Max. Betriebsdruck
 Pression de service max.
 Presión máxima admisible
 Pressão máxima admissível

50 bar



Tabella compatibilità e materiali
 Compatibility and materials table
 Beständigkeitsübersicht
 Tableau de compatibilité des matériaux
 Tabla de compatibilidad de materiales
 Tabela de compatibilidade química

Pag. 0.21 - 0.22



Temperatura ambiente con bobine in classe H
 Room temperature with coil class H
 Raumtemperatur, mit Spule der Klasse H
 Température ambiante, avec bobine classe H
 Temperatura ambiente con bobina classe H
 Temperatura ambiente com bobina de classe H

**- 10 °C
 + 80 °C**

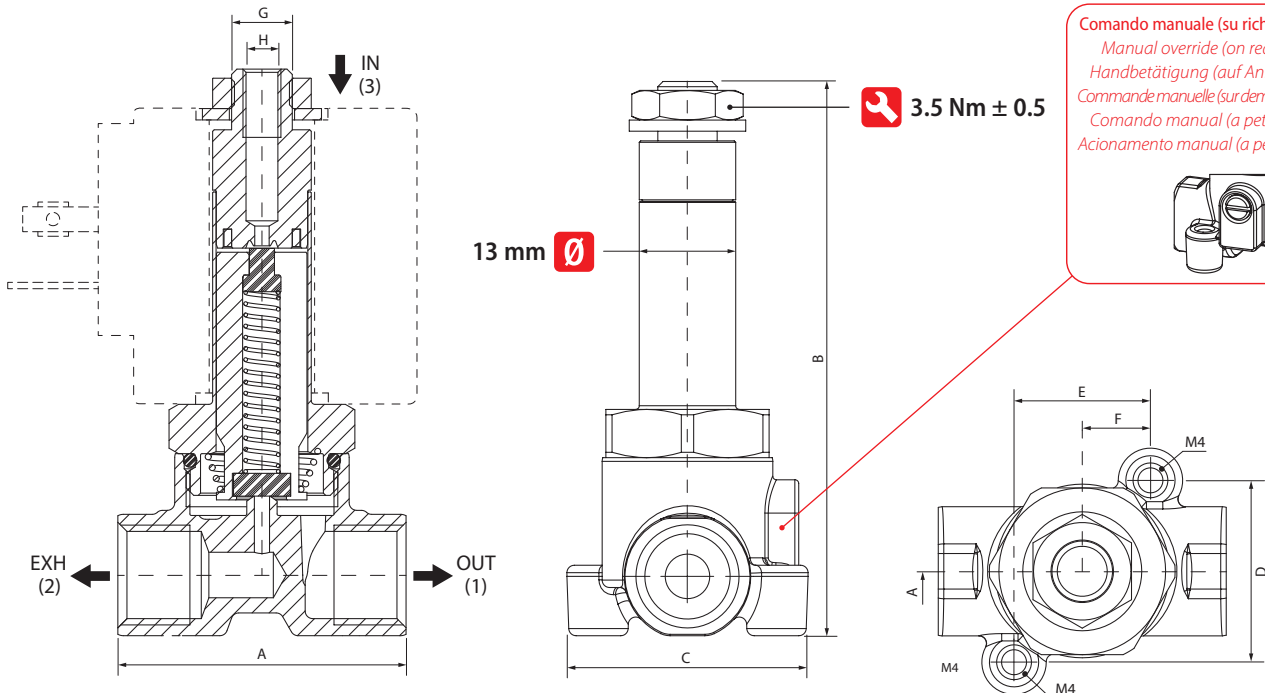
OPZIONI SU RICHIESTA - OPTIONS ON REQUEST - OPTIONEN AUF ANFRAGE - OPTIONS SUR DEMANDE - OPCIONES BAJO PEDIDO - OPÇÕES SOB ENCOMENDA
Comando manuale - Manual override - Handbetätigung Commande manuelle - Comando manual - Acionamento manual
Sede in Acciaio Inox - Stainless Steel seat - Sitz aus Edestahl Siège en Acier Inoxydable - Asiento en Acero Inoxidable - Sede in Acciaio Inox
Versione idonea per utilizzo con ossigeno industriale - Version suitable for use with industrial oxygen - Version für industrie sauerstoff Version adaptée à une utilisation avec de l'oxygène industriel - Versión idónea para el uso con oxígeno industrial - Versão adequada para utilização com oxigênio industrial
Trattamento superficiale di nichelatura chimica componenti in ottone - Chemical nickel plating treatment for brass components - Chemische vernickelung Messingkomponenten Traitement surface nickelage chimique composants laiton - Tratamiento superficial niquelatura química componentes latón - Tratamento superficial niquelação química componentes latão
Valvola con certificazione VDE in abbinamento a bobina - VDE-certified valve with associated coil - VDE zertifiziertes ventil mit zugeordneter spule - Vanne certifiée VDE avec bobine associée - Válvula certificada VDE con bobina asociada - Válvula certificada VDE com bobina associada

Code	Materiale tenuta Sealing materials Dichtungswerkstoffe Matériau joint Material juntas Material das vedações	Conessioni Port size Verbindungen Connexions Conexiones Conexões	Ø Orifizio Ø Orifice Ø Dn Ø Passage Ø Orificio Ø Orificio		Viscosità Viscosity Viskosität Viscosité Viscosidad Viscosidade	Kv	Pressione differenziale (OPD) Differential pressure (OPD) Differenzdruck (OPD) Pression différentielle (OPD) Presión diferencial (OPD) Pressão diferencial (OPD)			Potenza Power Leistung Puissance Potencia		Bobine Coils Spulen Bobines Bobinas Bobinas		
			mm				cSt	m³/h	Bar	DC	AC	Size	Serie	
①	①	ISO 228	IN	EXH		IN	EXH	Min	Max DC	Max AC	W	VA	mm	C - pag. 19.5 D - pag. 19.6 E - pag. 19.7
02F 03 4 15 _ 0	N = NBR -10°C +90°C	1/4"	1.9	1.5	25	0.10	0.06	0	15	15	8	14	30	C - SOL20
15									15	14	21	30	D - SOL20	
15			15	22	31	36	E - SOL21							
15			15	8	14	30	C - SOL20							
15			15	14	21	30	D - SOL20							
02F 03 4 02 _ 0	V = FKM -10°C +140°C	1/4"	1.9	2	37	0.10	0.10	0	15	15	8	14	30	C - SOL20
15									15	14	21	30	D - SOL20	
15			15	22	31	36	E - SOL21							
15			15	8	14	30	C - SOL20							
15			15	14	21	30	D - SOL20							
02F 03 4 25 _ 0	E = EPDM -10°C +140°C	1/4"	1.9	2.5	37	0.10	0.15	0	15	15	8	14	30	C - SOL20
15									15	14	21	30	D - SOL20	
15			15	22	31	36	E - SOL21							
10			15	8	14	30	C - SOL20							
15			15	14	21	30	D - SOL20							
02F 03 4 03 _ 0	C = CR -35°C +100°C	1/4"	1.9	3	37	0.10	0.21	0	10	15	8	14	30	C - SOL20
15									15	14	21	30	D - SOL20	
15			15	22	31	36	E - SOL21							
4			10	8	14	30	C - SOL20							
7			15	14	21	30	D - SOL20							
02F 03 4 04 _ 0		1/4"	1.9	4	37	0.10	0.35	0	13	15	8	14	30	C - SOL20
13									15	14	21	30	D - SOL20	
2			6	22	31	36	E - SOL21							
3			9.5	8	14	30	C - SOL20							
8			12	14	21	30	D - SOL20							
02F 03 4 05 _ 0		1/4"	1.9	5	37	0.10	0.51	0	8	12	22	31	36	E - SOL21
8									12	22	31	36	E - SOL21	

① Selezionare tenuta - Select seal material - Wählen Sie das Dichtungsmaterial aus - Sélectionner matériau d'étanchéité - Seleccionar material sellado - Seleccionar material de vedação

EPDM - P max= 2.5 bar: Con vapore - With steam - Mit dampf - Avec vapeur - Con vapor - Com vapor

Bobina non inclusa - Coil not included - Magnetspulen separat - Bobines non incluse - Bobina no incluida - Bobinas não incluidas



Comando manuale (su richiesta)
 Manual override (on request)
 Handbetätigung (auf Anfrage)
 Commande manuelle (sur demande)
 Comando manual (a petición)
 Acionamento manual (a pedido)

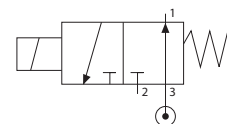
Size	A	B	C	D	E	F	G	H
1/4"	38	74.7	32.5	24	18	9	M8 x 1	M5

SERIE 02F

ELETTROVALVOLE AD AZIONAMENTO DIRETTO CON CORPO IN OTTONE

DIRECT ACTUATED SOLENOID VALVES WITH BRASS BODY
 MAGNETVENTILE MIT DIREKTER BETÄTIGUNG MIT MESSINGGEHÄUSE
 ÉLECTROVANNES À COMMANDE DIRECTE AVEC CORPS EN LAITON
 ELECTROVÁLVULAS DE ACCIONAMIENTO DIRECTO CON CUERPO DE LATÓN
 ELETRÓVALVULAS DE ACIONAMENTO DIRETO COM CORPO DE LATÃO

3/2 NO **3/8" - 1/2"**



Materiali e Componenti	IT	Materials and Components	GB	Materialien und Komponenten	DE
1 Corpo: Ottone CW614N		1 Body: Brass CW614N		1 Körper: Messing CW614N	
2 Tenute: NBR - EPDM - FKM - CR		2 Seals: NBR - EPDM - FKM - CR		2 Dichtung: NBR - EPDM - FKM - CR	
3 Tubo guida: Acciaio Inox		3 Armature tube: Stainless steel		3 Führungsrohr: Edelstahl	
4 Nucleo fisso e mobile: Acciaio Inox AISI 430FR		4 Fixed and mobile core: Stainless steel AISI 430FR		4 Kern: Edelstahl AISI 430FR	
5 Molle: Acciaio Inox		5 Springs: Stainless steel		5 Feder: Edelstahl	
Matériaux et Composants	FR	Materiales y componentes	ES	Materialis e Componentes	PT
1 Corps: Laiton CW614N		1 Cuerpo: Latón CW614N		1 Corpo: Latão CW614N	
2 Joints: NBR - EPDM - FKM - CR		2 Juntas: NBR - EPDM - FKM - CR		2 Vedações: NBR - EPDM - FKM - CR	
3 Tube de pilotage: Acier inox		3 Tubo guía: Acero inox		3 Tubo Guia: Aço-inox	
4 Noyau: Acier inox AISI 430FR		4 Núcleo fijo y móvil: Acero inox AISI 430FR		4 Núcleo fixo e móvel I: Aço-inox AISI 430FR	
5 Ressort: Acier inox		5 Muelle: Acero inox		5 Mola: Aço-inox	



Pressione massima ammissibile
 Maximum allowable pressure
 Max. Betriebsdruck
 Pression de service max.
 Presión máxima admisible
 Pressão máxima admissível

50 bar



Tabella compatibilità e materiali
 Compatibility and materials table
 Beständigkeitsübersicht
 Tableau de compatibilité des matériaux
 Tabla de compatibilidad de materiales
 Tabela de compatibilidade química

Pag. 0.21 - 0.22



Temperatura ambiente con bobine in classe H
 Room temperature with coil class H
 Raumtemperatur, mit Spule der Klasse H
 Température ambiante, avec bobine classe H
 Temperatura ambiente con bobina classe H
 Temperatura ambiente com bobina de classe H

**- 10 °C
 + 80 °C**

OPZIONI SU RICHIESTA - OPTIONS ON REQUEST - OPTIONEN AUF ANFRAGE - OPTIONS SUR DEMANDE - OPCIONES BAJO PEDIDO - OPÇÕES SOB ENCOMENDA

Versione idonea per utilizzo con ossigeno industriale - Version suitable for use with industrial oxygen - Version für industrie sauerstoff
 Version adaptée à une utilisation avec de l'oxygène industriel - Versión idónea para el uso con oxígeno industrial - Versão adequada para utilização com oxigênio industrial

Trattamento superficiale di nichelatura chimica componenti in ottone - Chemical nickel plating treatment for brass components - Chemische vernickelung Messingkomponenten
 Traitement surface nickelage chimique composants laiton - Tratamiento superficial niquelatura química componentes latón - Tratamento superficial niquelização química componentes latão

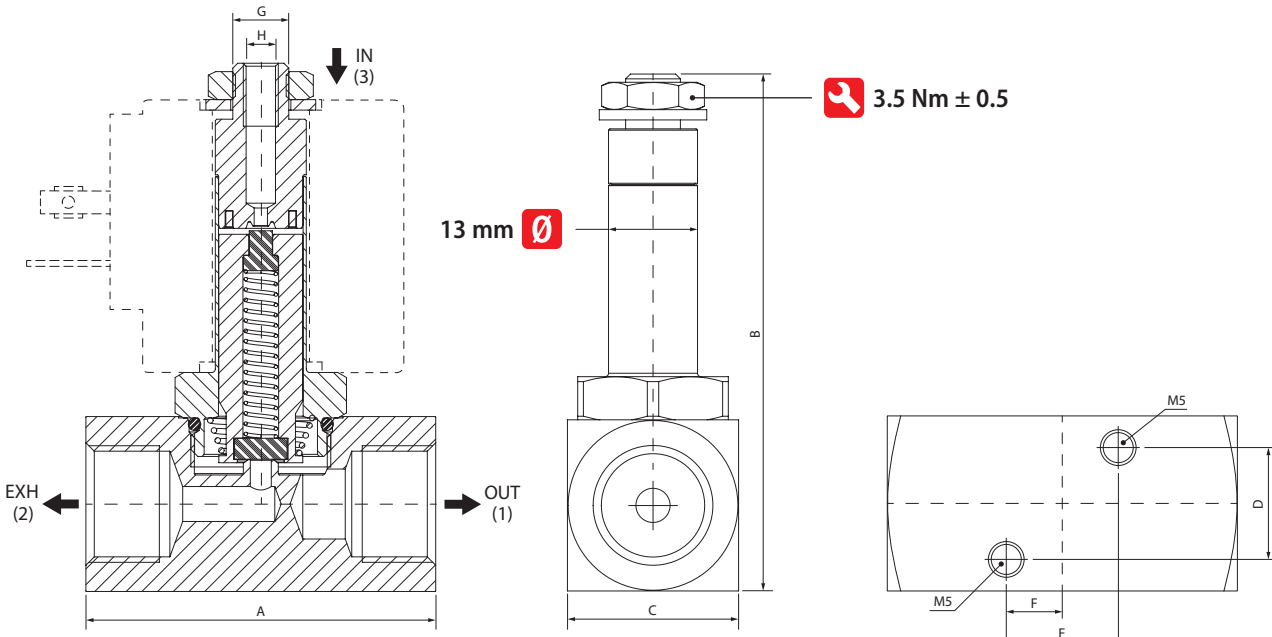
Valvola con certificazione VDE in abbinamento a bobina - VDE-certified valve with associated coil - VDE zertifiziertes ventil mit zugeordneter spule - Vanne certifiée VDE avec bobine associée -
 Válvula certificada VDE con bobina asociada - Válvula certificada VDE com bobina associada

Code	Materiale tenute Sealing materials Dichtungswerkstoffe Matériau joint Material juntas Material das vedações	Conessioni Port size Verbindungen Connexions Conexiones Conexões	Ø Orifizio Ø Orifice Ø Dn Ø Passage Ø Orificio Ø Orificio		Viscosità Viscosity Viskosität Viscosité Viscosidad Viscosidade	Kv	Pressione differenziale (OPD) Differential pressure (OPD) Differenzdruck (OPD) Pression différentielle (OPD) Presión diferencial (OPD) Pressão diferencial (OPD)			Potenza Power Leistung Puissance Potencia		Bobine Coils Spulen Bobines Bobinas Bobinas			
			mm	cSt			m³/h	Bar	DC	AC	Size	Serie C - pag. 19.5 D - pag. 19.6 E - pag. 19.7			
①	①	ISO 228	IN	EXH		IN	EXH	Min	Max DC	Max AC	W	VA	mm		
02F 04 4 03 _ 0	N = NBR -10°C +90°C	3/8"	1.9	3	37	0.10	0.21	0	10	15	8	14	30	C - SOL20	
15									15	14	21	30	D - SOL20		
02F 04 4 04 _ 0			4	10	7	15	8	14	30	C - SOL20					
										13	15	14	21	30	D - SOL20
02F 04 4 05 _ 0			V = FKM -10°C +140°C	1.9	5	37	0.10	0.51	0	2	6	8	14	30	C - SOL20
										3	9.5	14	21	30	D - SOL20
02F 05 4 03 _ 0	E = EPDM -10°C +140°C	1/2"	1.9	3	37	0.10	0.21	0	10	15	8	14	30	C - SOL20	
									15	15	14	21	30	D - SOL20	
02F 05 4 04 _ 0			4	10	7	15	8	14	30	C - SOL20					
										13	15	14	21	30	D - SOL20
02F 05 4 05 _ 0			C = CR -35°C +100°C	1.9	5	37	0.10	0.51	0	2	6	8	14	30	C - SOL20
										3	9.5	14	21	30	D - SOL20
								8	12	22	31	36	E - SOL21		

① Selezionare tenuta - Select seal material - Wählen Sie das Dichtungsmaterial aus - Sélectionner matériau d'étanchéité - Seleccionar material sellado - Seleccionar material de vedação

EPDM - P max= 2.5 bar: Con vapore - With steam - Mit dampf - Avec vapeur - Con vapor - Com vapor

Bobina non inclusa - Coil not included - Magnetspulen separat - Bobines non incluse - Bobina no incluida - Bobinas não incluidas



Size	A	B	C	D	E	F	G
3/8"	50	75.5	25	16	16	8	M8 x 1
1/2"	58	75.5	25	16	16	8	M8 x 1